

[54] COFFEE URN LID

[75] Inventors: **Leo A. Groh; Douglas D. Ludwig,**  
both of West Bend, Wis.; **David L. Painter,**  
Glenview, Ill.; **John H. Free,**  
Kalispell, Mont.

[73] Assignee: **Dart Industries Inc.,** Los Angeles,  
Calif.

[\*\*] Term: **14 Years**

[21] Appl. No.: **118,121**

[22] Filed: **Feb. 4, 1980**

[51] Int. Cl. .... **D07-02**  
[52] U.S. Cl. .... **D7/131; D15/119**  
[58] Field of Search .... **D7/131, 40, 61;**  
**D15/112, 113, 115, 119; 220/298, 300, 301, 302**

[56]

References Cited

U.S. PATENT DOCUMENTS

D. 160,648	10/1950	Muller-Munk	.....	D7/131
D. 160,649	10/1950	Muller-Munk	.....	D7/131
D. 200,755	4/1965	Sebastian	.....	D15/113
863,559	8/1907	Snigo	.....	220/300
2,069,125	1/1937	Antrim	.....	220/260
2,920,788	1/1960	Emerson	.....	220/301
4,020,970	5/1977	Koscik et al.	.....	220/302 X

*Primary Examiner*—Winifred E. Herrmann  
*Attorney, Agent, or Firm*—Kenneth J. Hovet

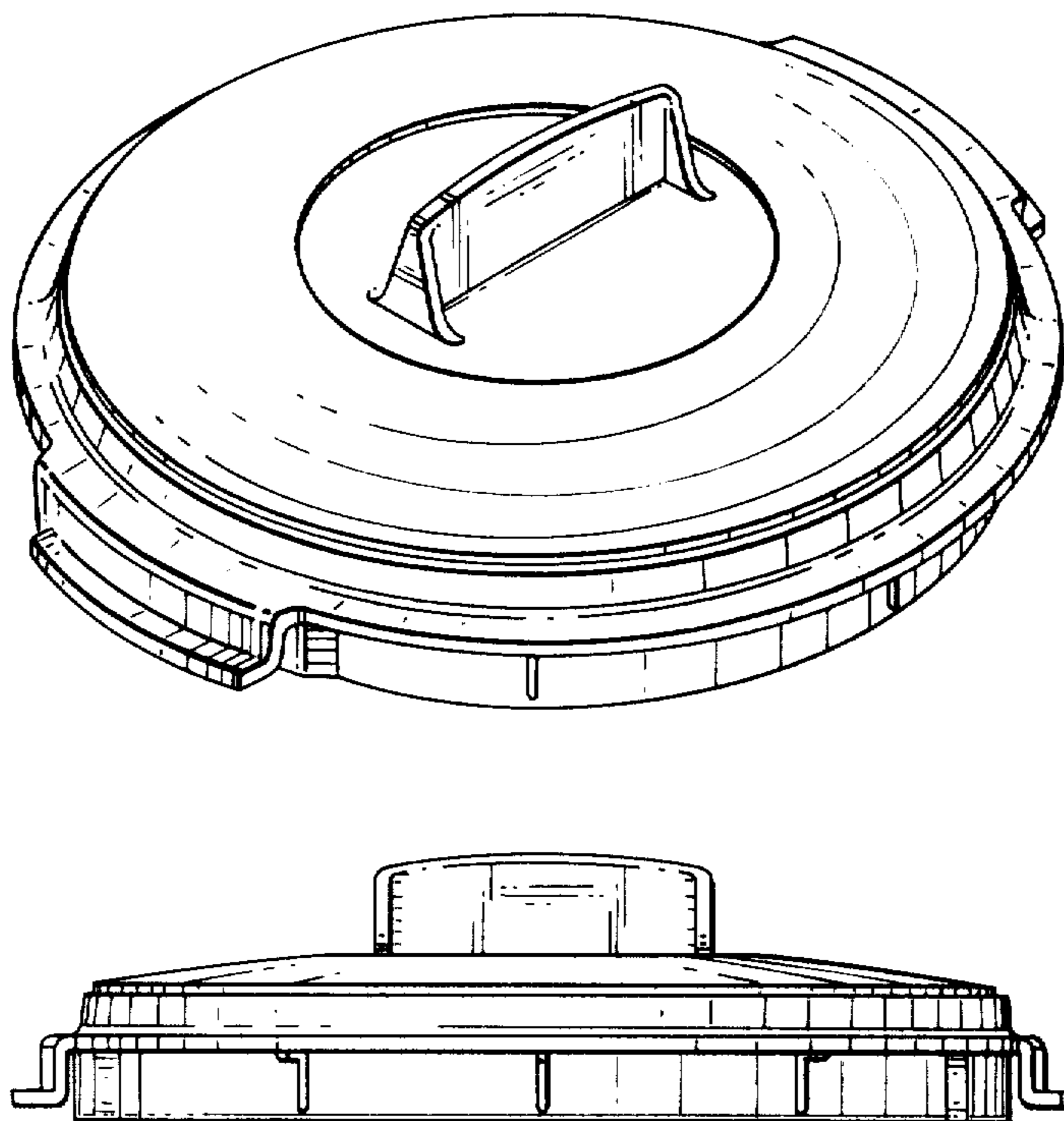
[57]

CLAIM

The ornamental design for a coffee urn lid, substantially as shown.

DESCRIPTION

FIG. 1 is a top perspective view of a coffee urn lid showing our new design;  
FIG. 2 is a side elevational view thereof;  
FIG. 3 is another side elevational view thereof of FIG. 2 rotated 90°;  
FIG. 4 is a top plan view; and  
FIG. 5 is a bottom plan view.



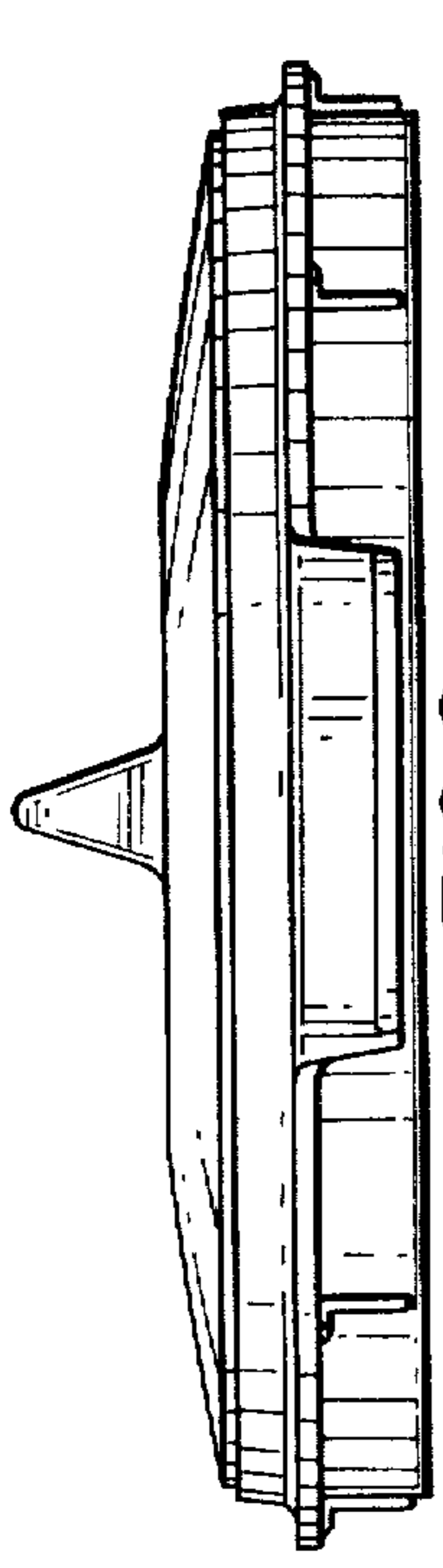


FIG. 2

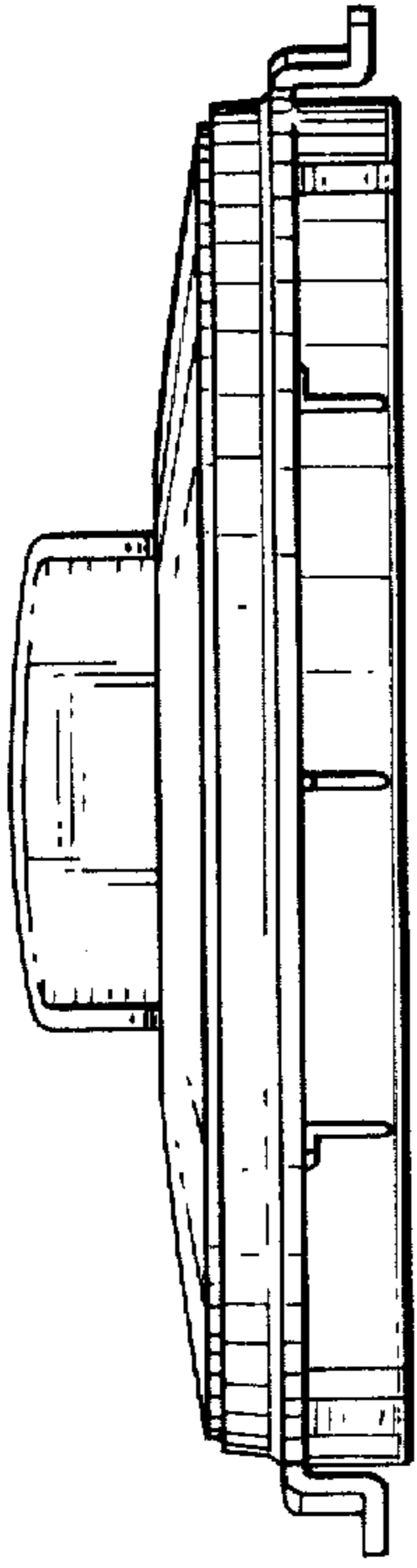


FIG. 3

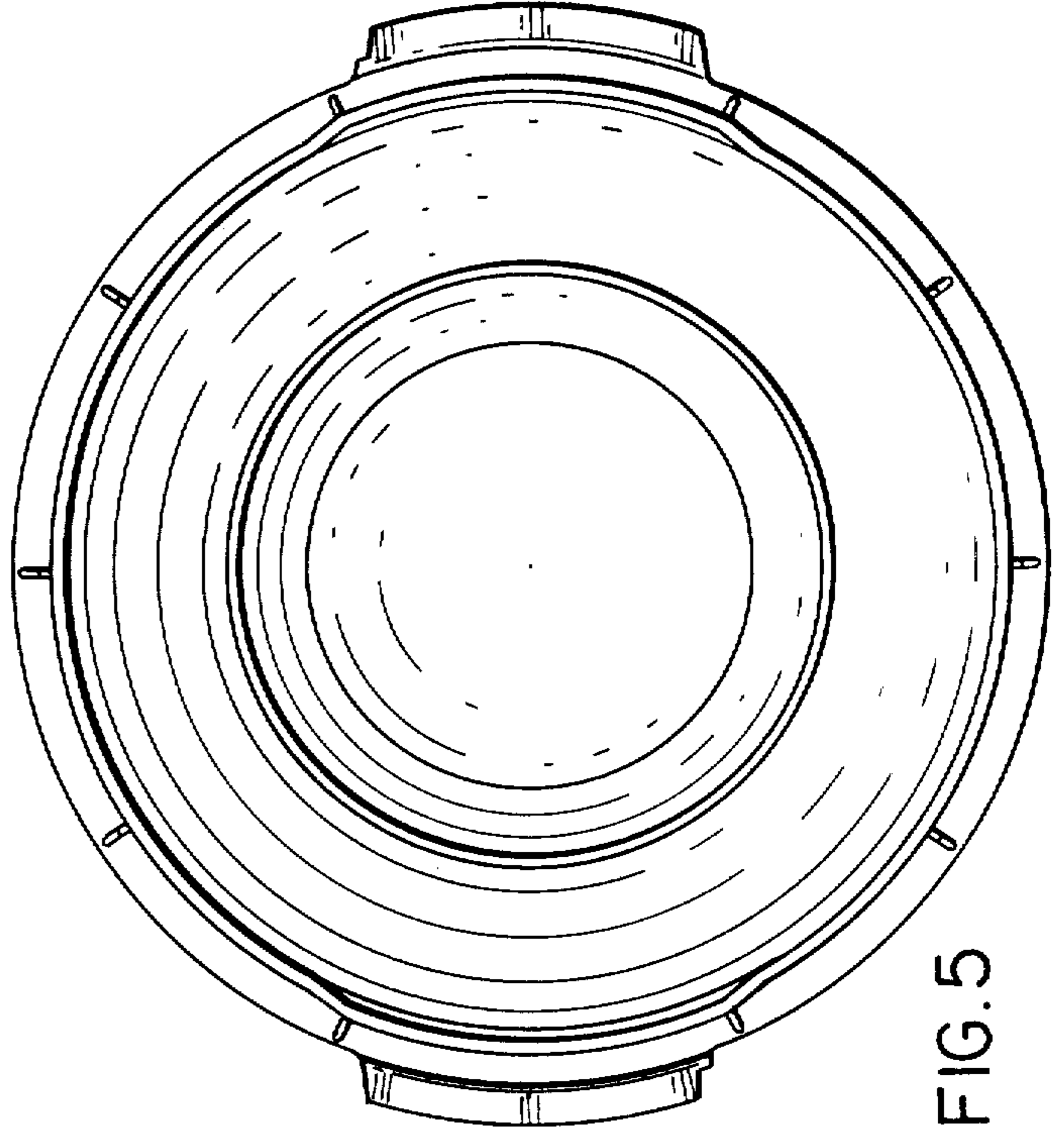


FIG. 5

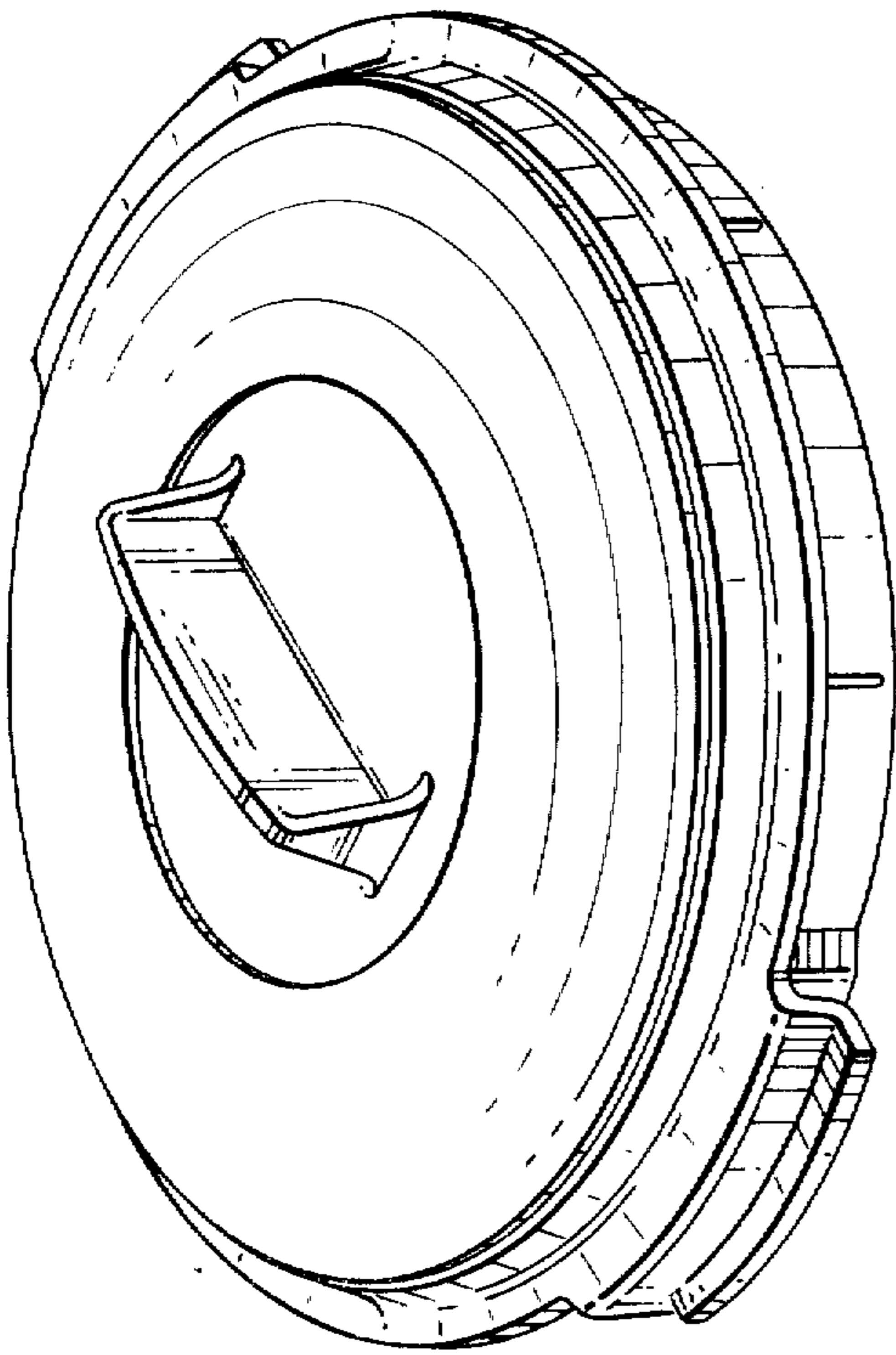


FIG. 1

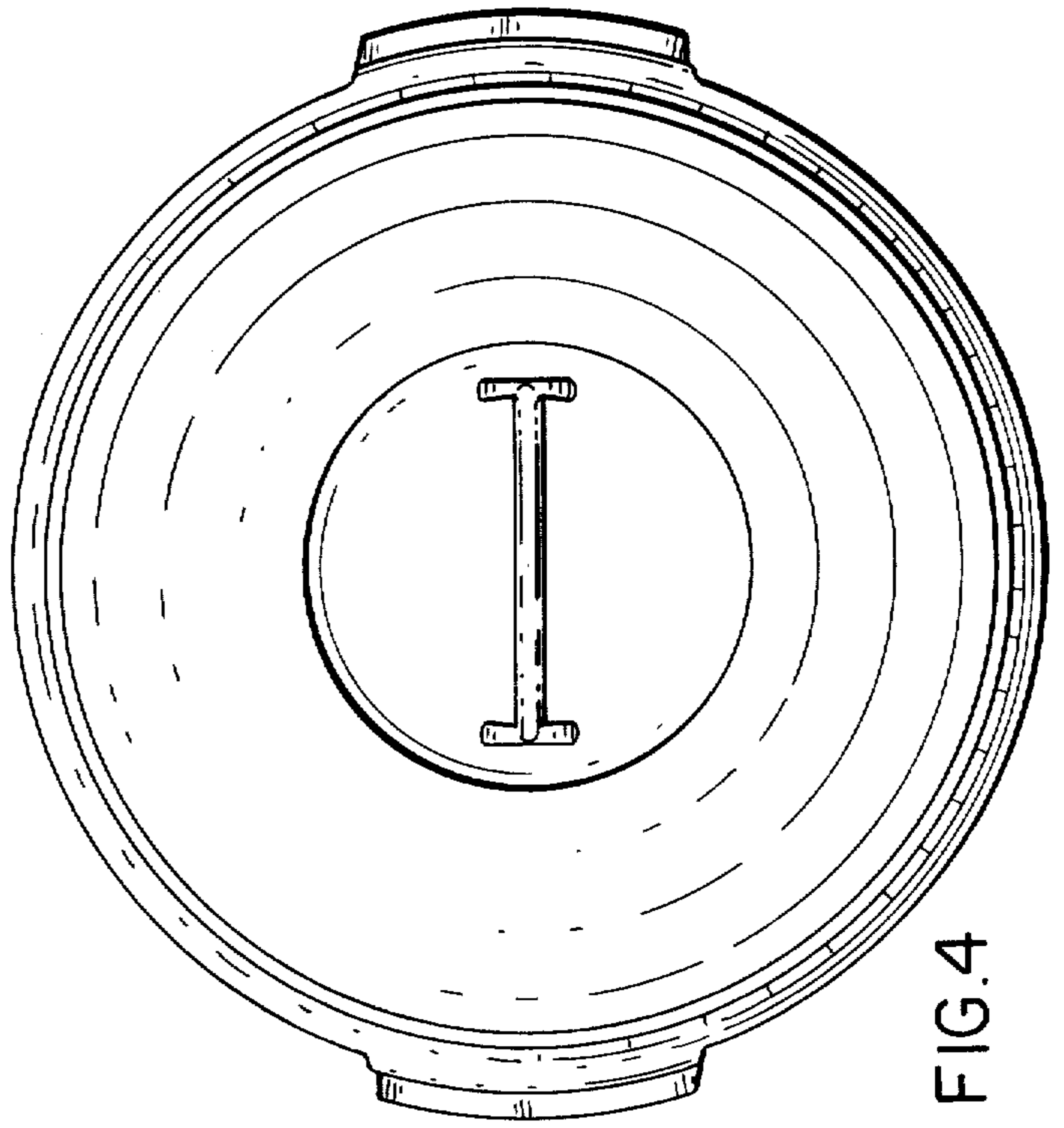


FIG. 4