

[54] COMBINED BUTTER HOLDER DISH AND COVER

3,426,935 2/1969 Swett D7/84 X
3,563,404 2/1971 Barchus D7/84 X

[76] Inventor: Alfred H. Oelzner, 1205 Leeds Ter., Baltimore, Md. 21227

[**] Term: 14 Years

[21] Appl. No.: 953,975

[22] Filed: Jan. 2, 1979

[51] Int. Cl. D07-01

[52] U.S. Cl. D7/84

[58] Field of Search D7/84, 83, 82; D9/237, D9/239, 240, 241

[56] References Cited

U.S. PATENT DOCUMENTS

| | | | | |
|------------|--------|---------------|-------|---------|
| D. 133,036 | 7/1942 | Harwell | | D7/84 X |
| 2,716,814 | 9/1955 | Lerner | | D7/46 X |
| 3,240,030 | 3/1966 | Peters et al. | | D7/84 X |
| 3,268,111 | 8/1966 | Duddy | | D7/84 X |

OTHER PUBLICATIONS

Gift & Art Buyer, Mar. 1961, p. 9, Rainbow Wood Products Adv., #385 Butter Dish.

Primary Examiner—Winifred E. Herrmann

[57] CLAIM

The ornamental design for a combined butter holder dish and cover, as shown.

DESCRIPTION

FIG. 1 is an exploded perspective view of a combined butter holder dish and cover showing my new design; FIG. 2 is a sectional view thereof taken on line 2-2 of FIG. 3;

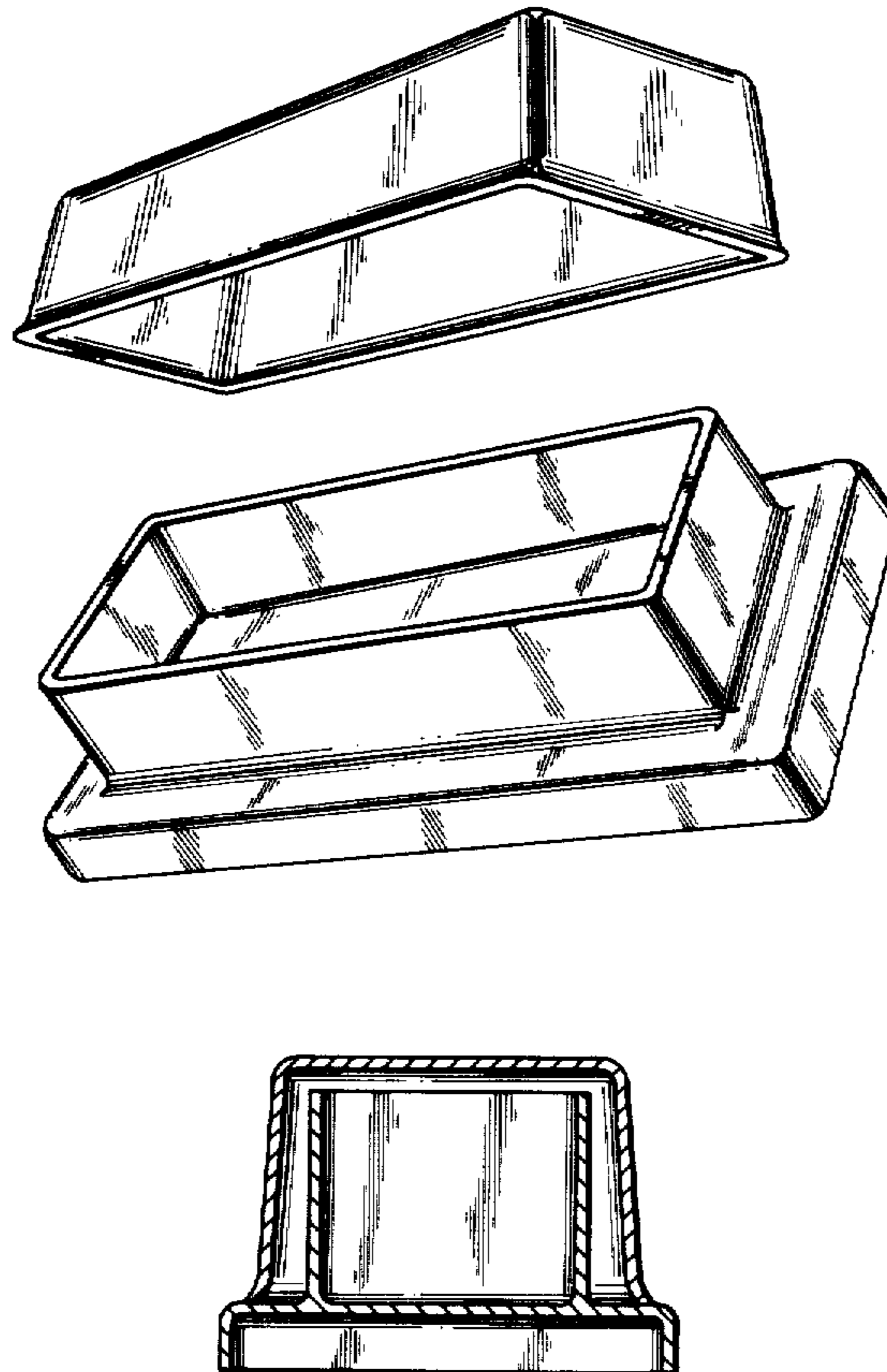
FIG. 3 is a side elevational view thereof;

FIG. 4 is a top plan view of the butter holder dish;

FIG. 5 is a bottom plan view of FIG. 4;

FIG. 6 is a top plan view of the cover; and

FIG. 7 is a bottom plan view of the cover.



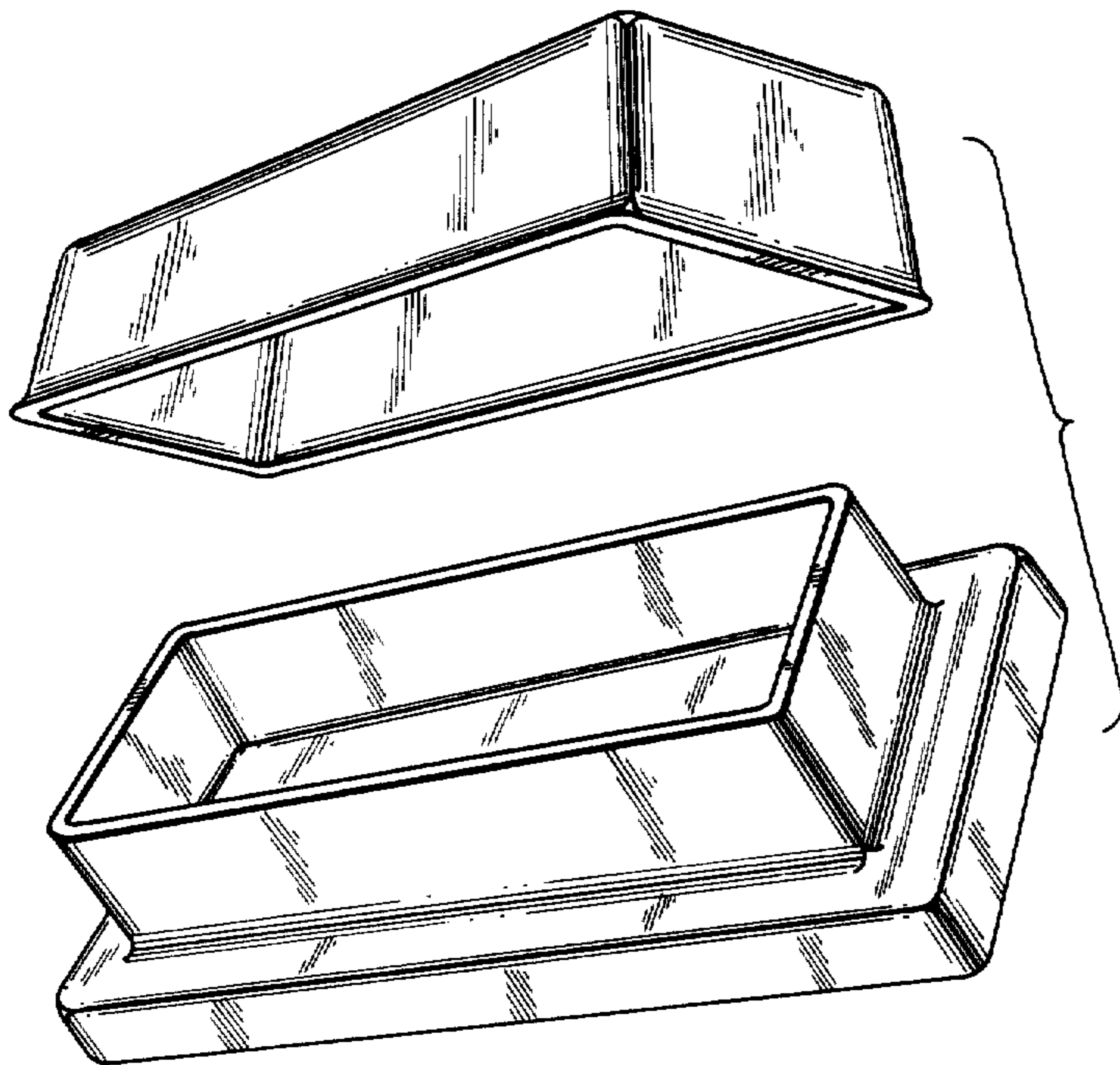


FIG. 1

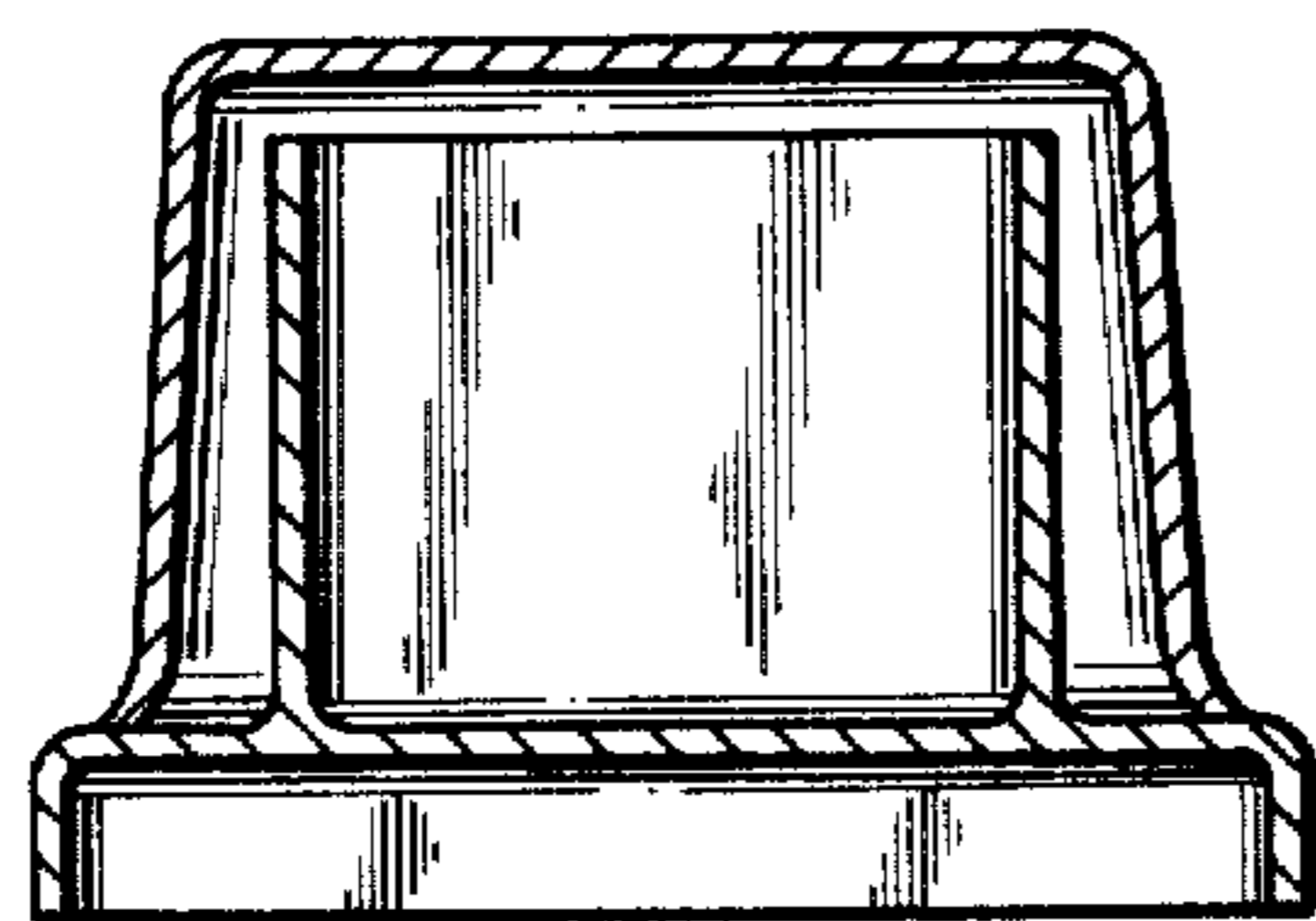


FIG. 2

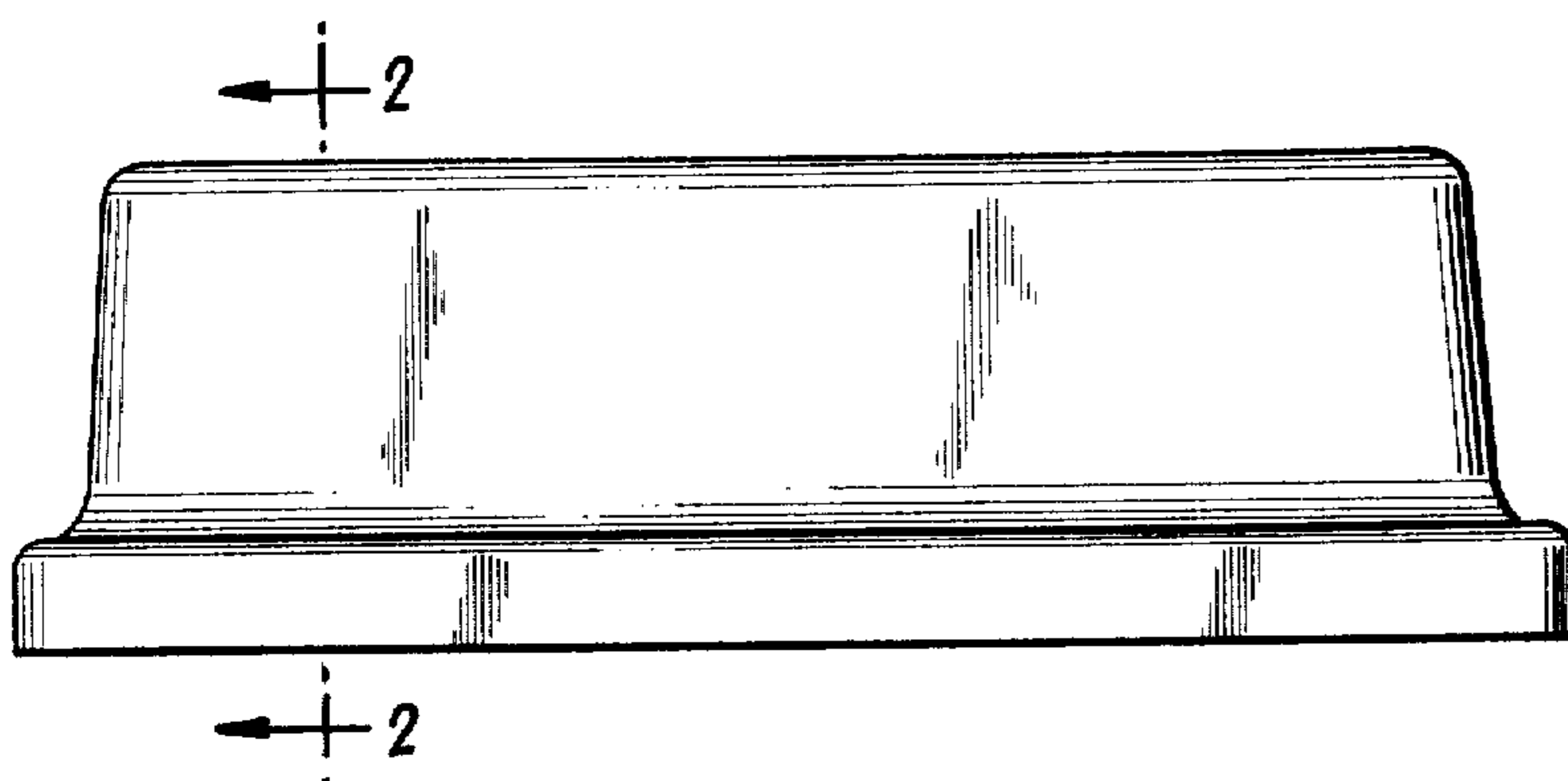


FIG. 3

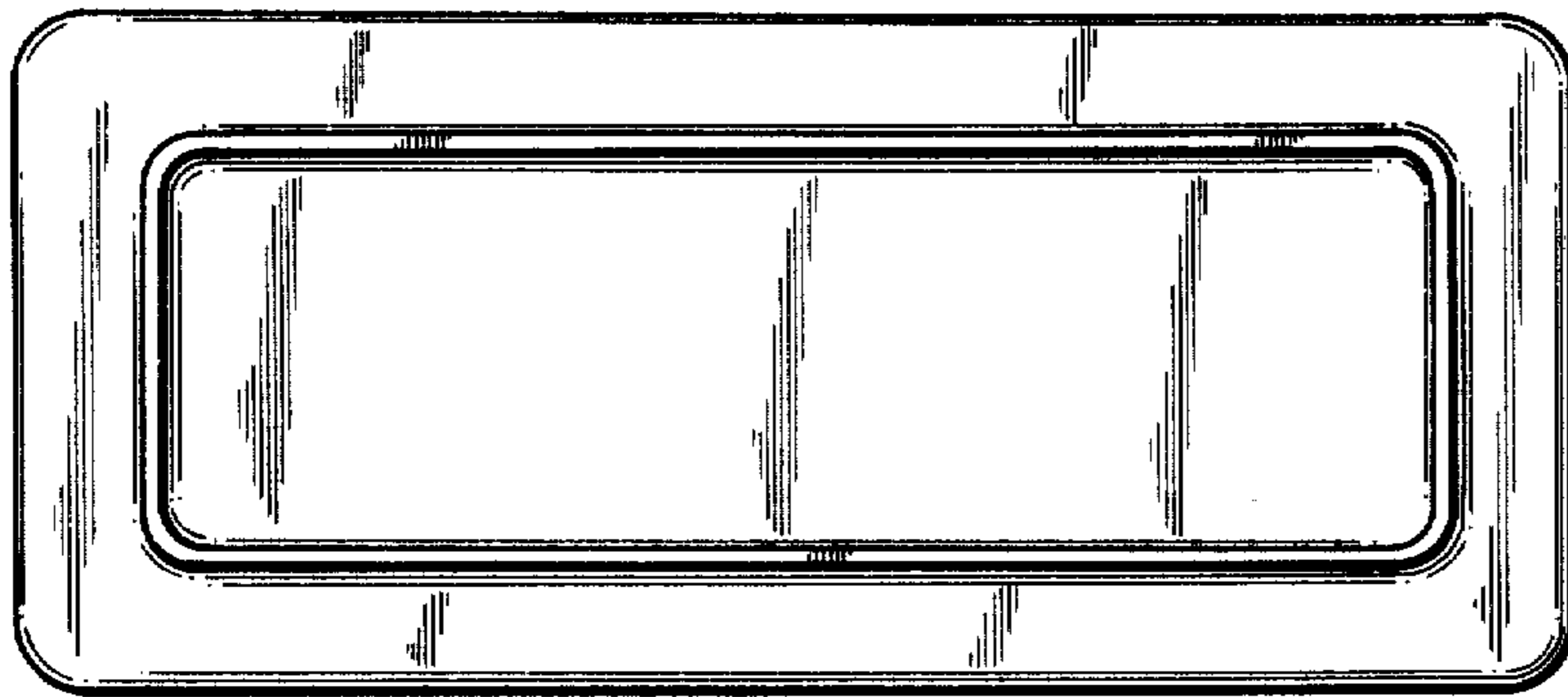


FIG. 4

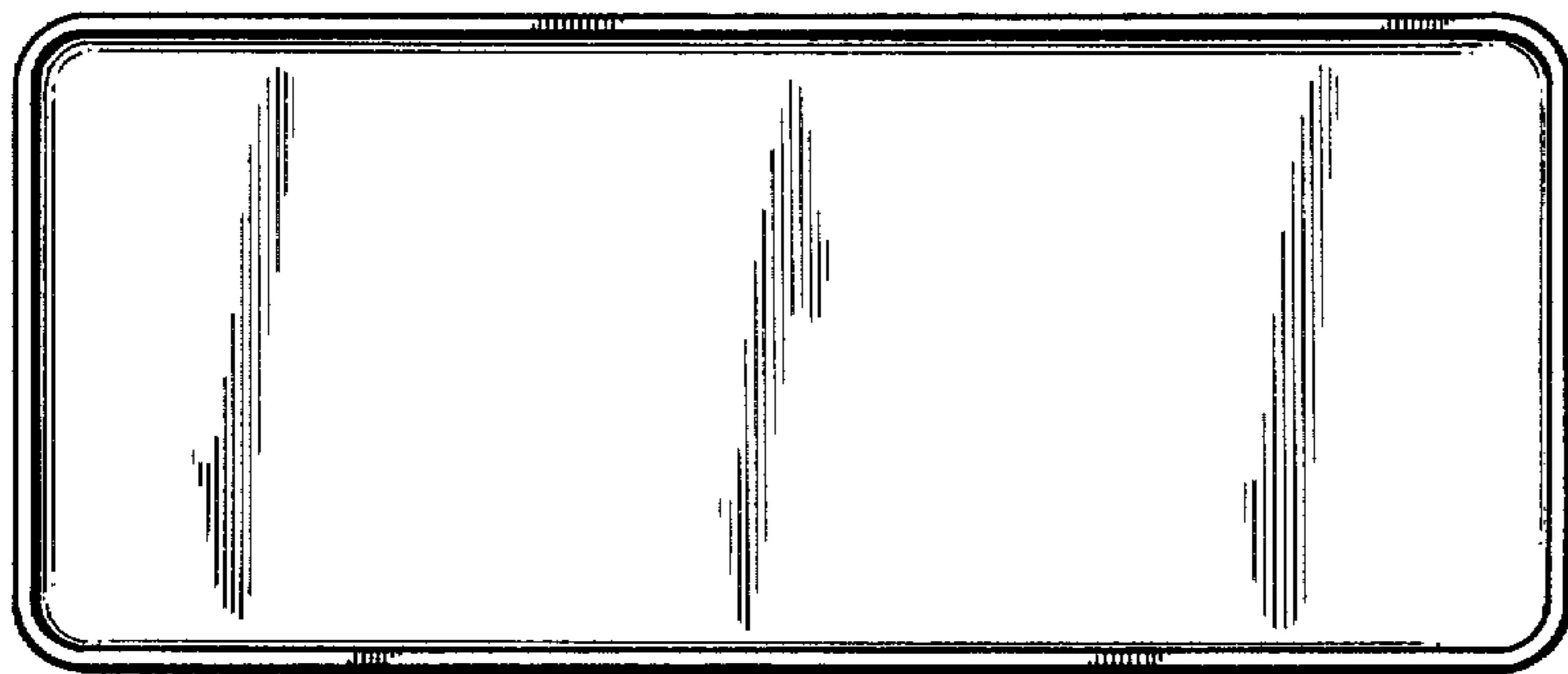


FIG. 5

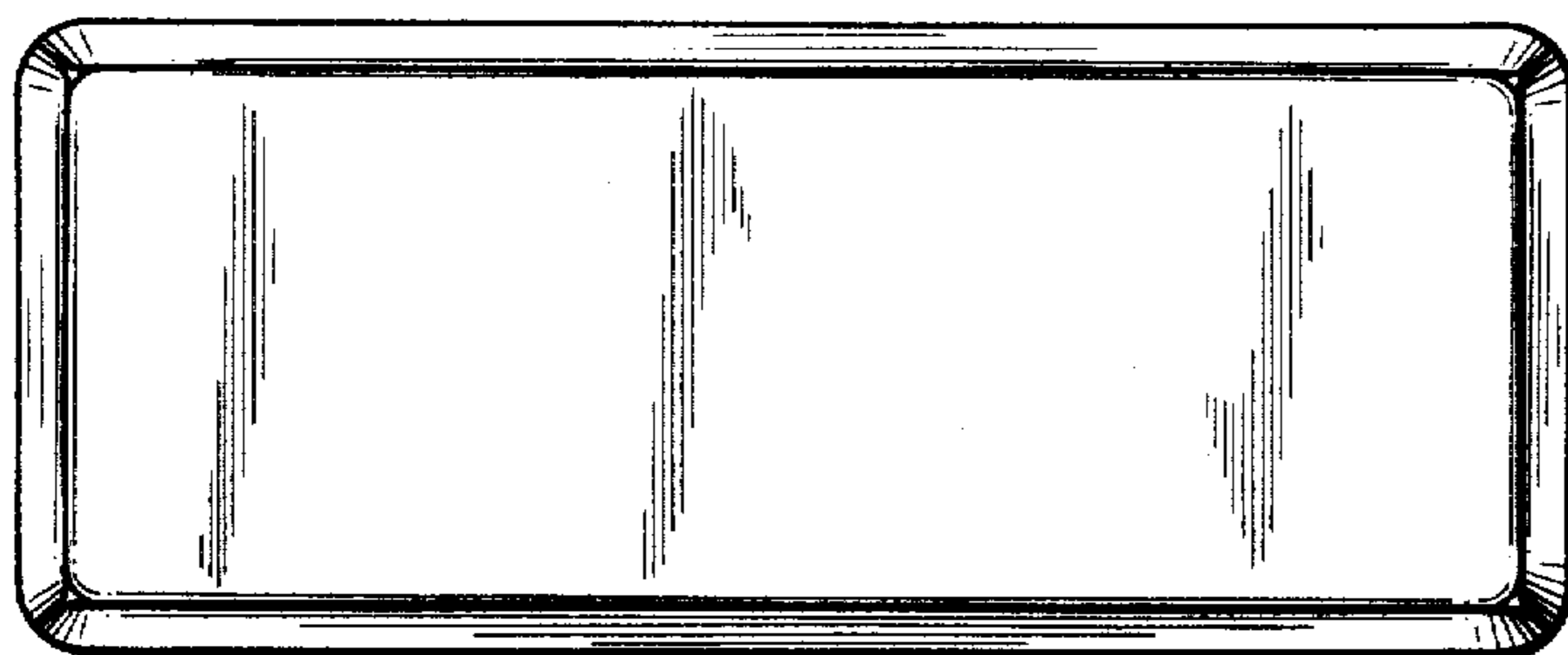


FIG. 6

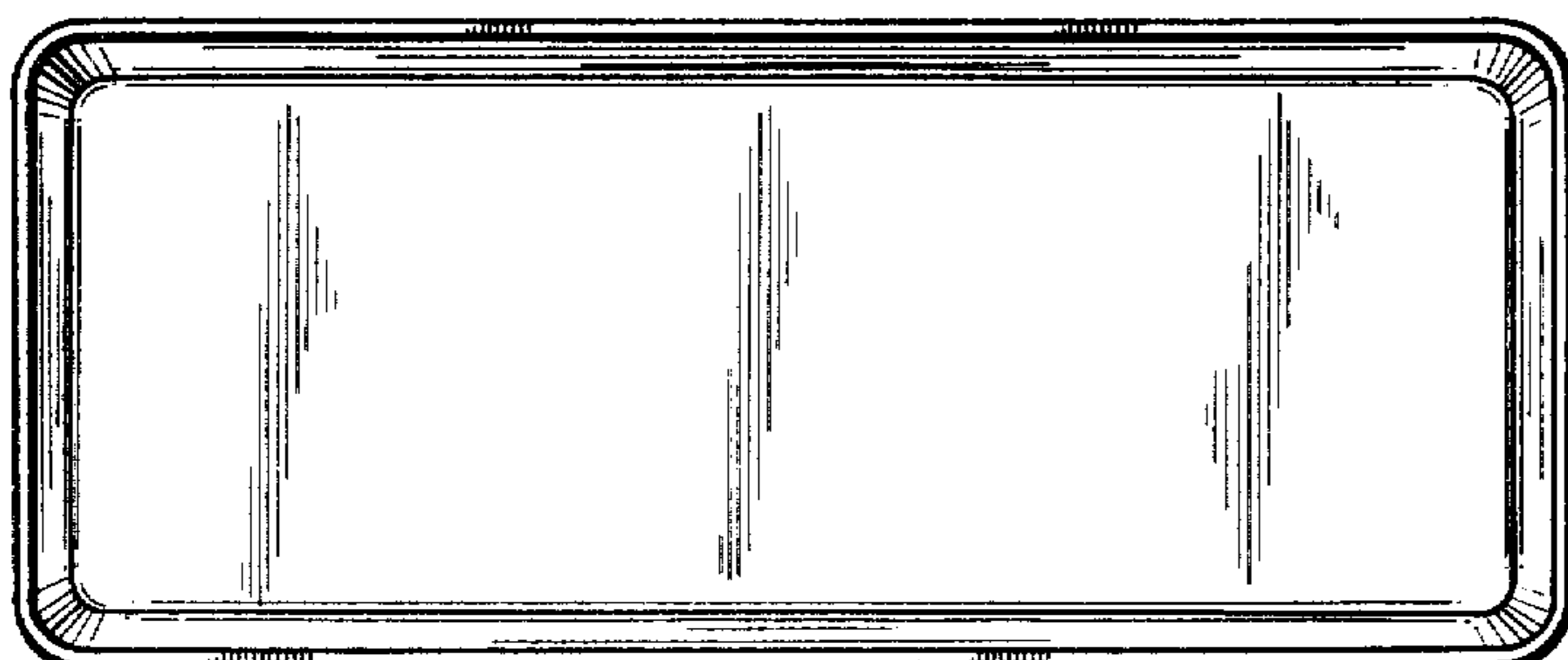


FIG. 7