

[54] SOAP DISH FOR ATTACHMENT TO A FRAME

[76] Inventors: Sidney J. Shames, 57 Holly Pl., Briarcliff Manor, N.Y. 10510; Harold Shames, 5 Agnes Cir., Ardsley, N.Y. 10502

[**] Term: 14 Years

[21] Appl. No.: 137,353

[22] Filed: Apr. 4, 1980

[51] Int. Cl. D23-02; D7-01

[52] U.S. Cl. D6/89; D7/1; D7/37

[58] Field of Search D6/86-104; D7/1, 37; 206/77.1; 211/13, 87, 88

[56] References Cited

U.S. PATENT DOCUMENTS

D. 57,650	4/1921	Hines	D7/37
D. 225,947	1/1973	Tegner	D6/89
D. 231,166	4/1974	Tegner	D6/89

Primary Examiner—B. J. Bullock
Attorney, Agent, or Firm—Norman Lettvin

[57] CLAIM

The ornamental design for a soap dish for attachment to a frame, substantially as shown and described.

DESCRIPTION

FIG. 1 is a top plan view of a soap dish for attachment to a frame showing our new design; FIG. 2 is a sectional view taken in the direction of the arrows on line 2—2 of FIG. 1; and FIG. 3 is a sectional view taken in the direction of the arrows on line 3—3 of FIG. 1.

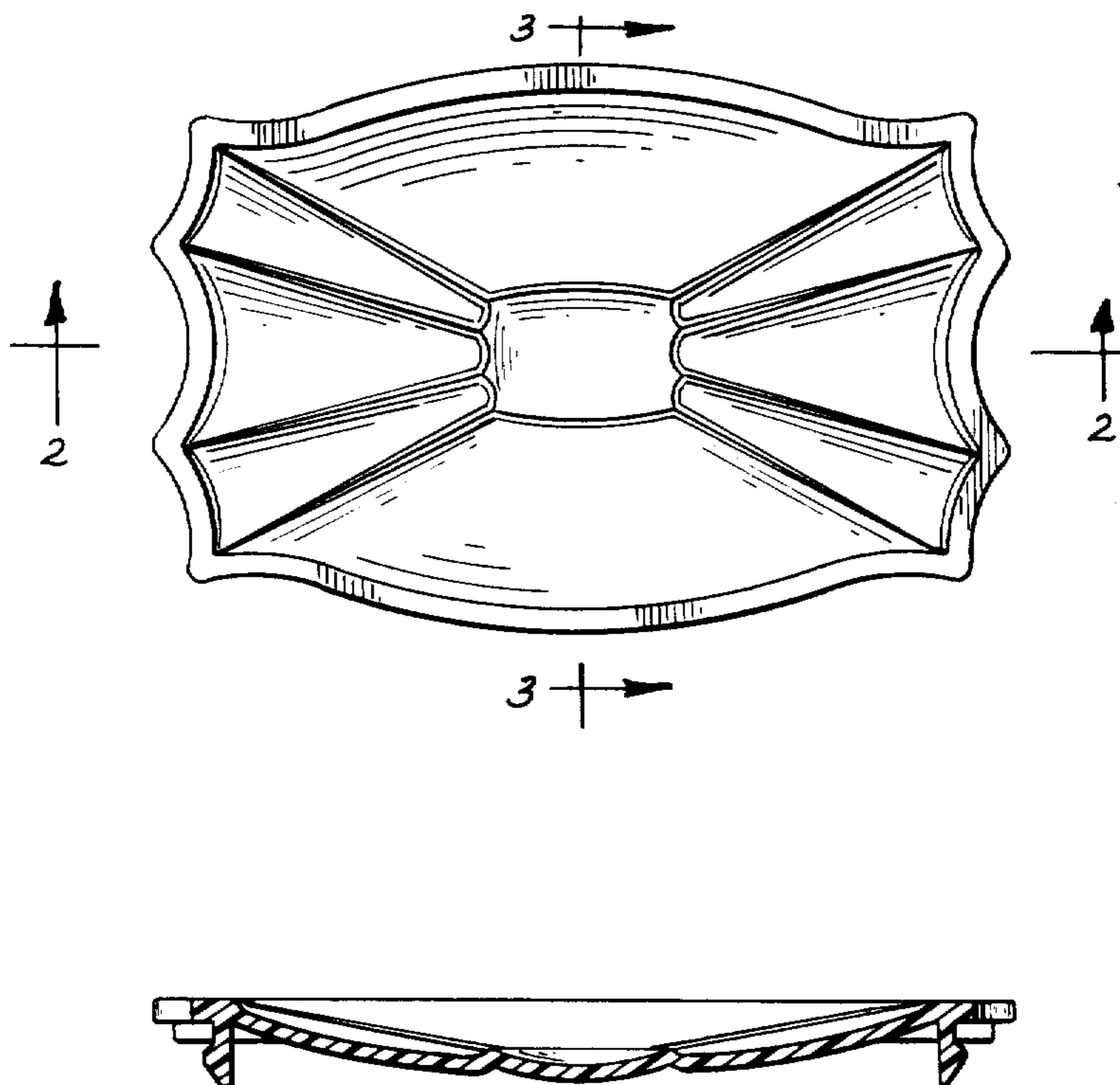


FIG. 1

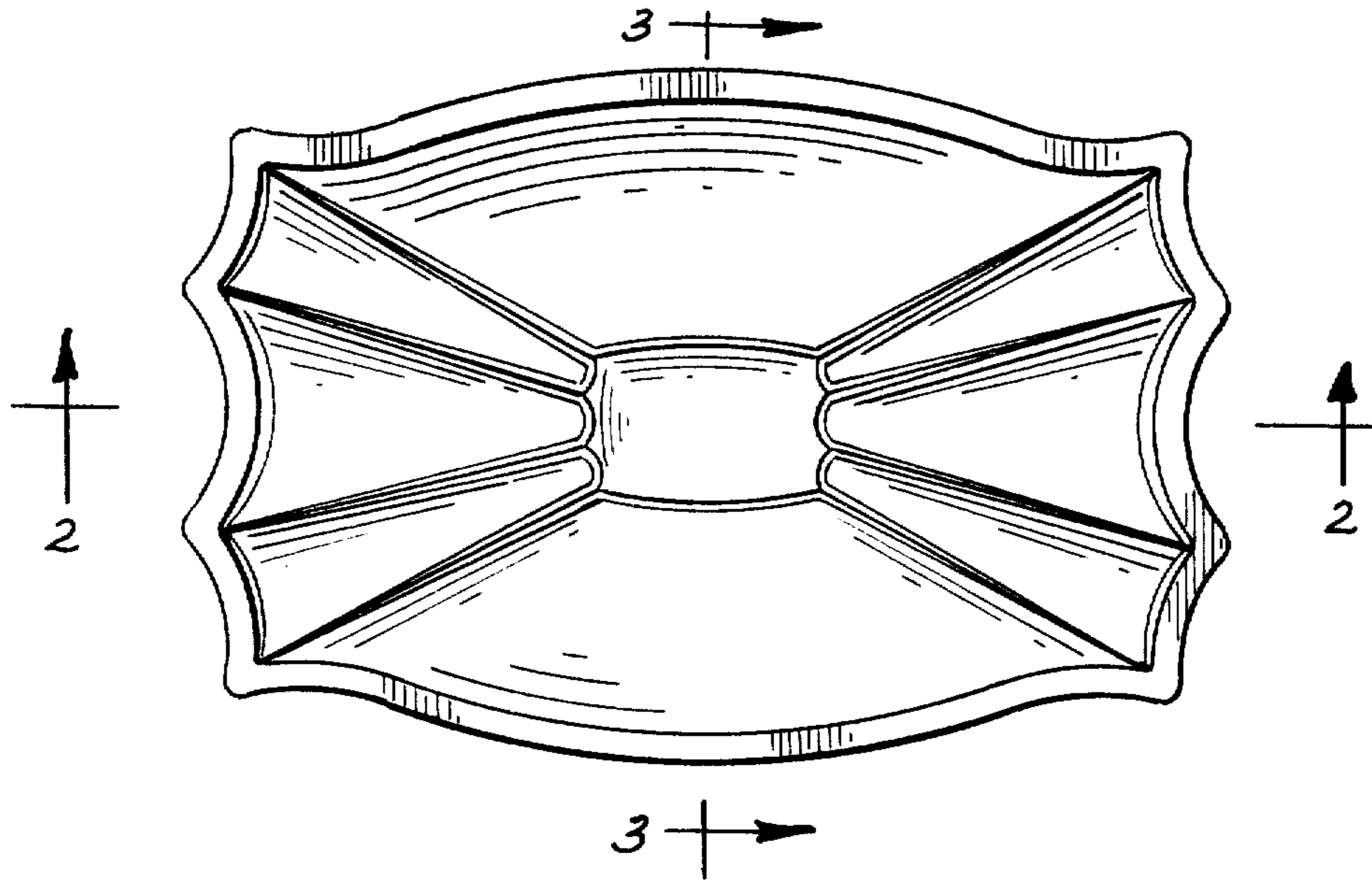


FIG. 2



FIG. 3

