

[54] STAND

[76] Inventor: Jack E. Blake, P.O. Box 2102, Midland, Tex. 79701

[\*\*] Term: 14 Years

[21] Appl. No.: 27,192

[22] Filed: Apr. 4, 1979

[51] Int. Cl. .... D6-99

[52] U.S. Cl. .... D6/85; D6/191

[58] Field of Search .... D6/28, 29, 30, 31, 85, D6/146-149, 175, 177-179, 191, 196, 194

[56] References Cited

U.S. PATENT DOCUMENTS

- D. 147,902 11/1947 Gray ..... D6/196
- D. 207,647 5/1967 Wormley ..... D6/196
- D. 213,117 1/1969 Kjer-Jakobsen ..... D6/196

- D. 239,678 4/1976 Blake ..... D6/194 X
- 4,177,739 12/1979 Phelps ..... D6/146 X

Primary Examiner—Bruce W. Dunkins  
Attorney, Agent, or Firm—Gerald G. Crutsinger; John F. Booth; Harry C. Post, III

[57] CLAIM

The ornamental design for a stand, substantially as shown and described.

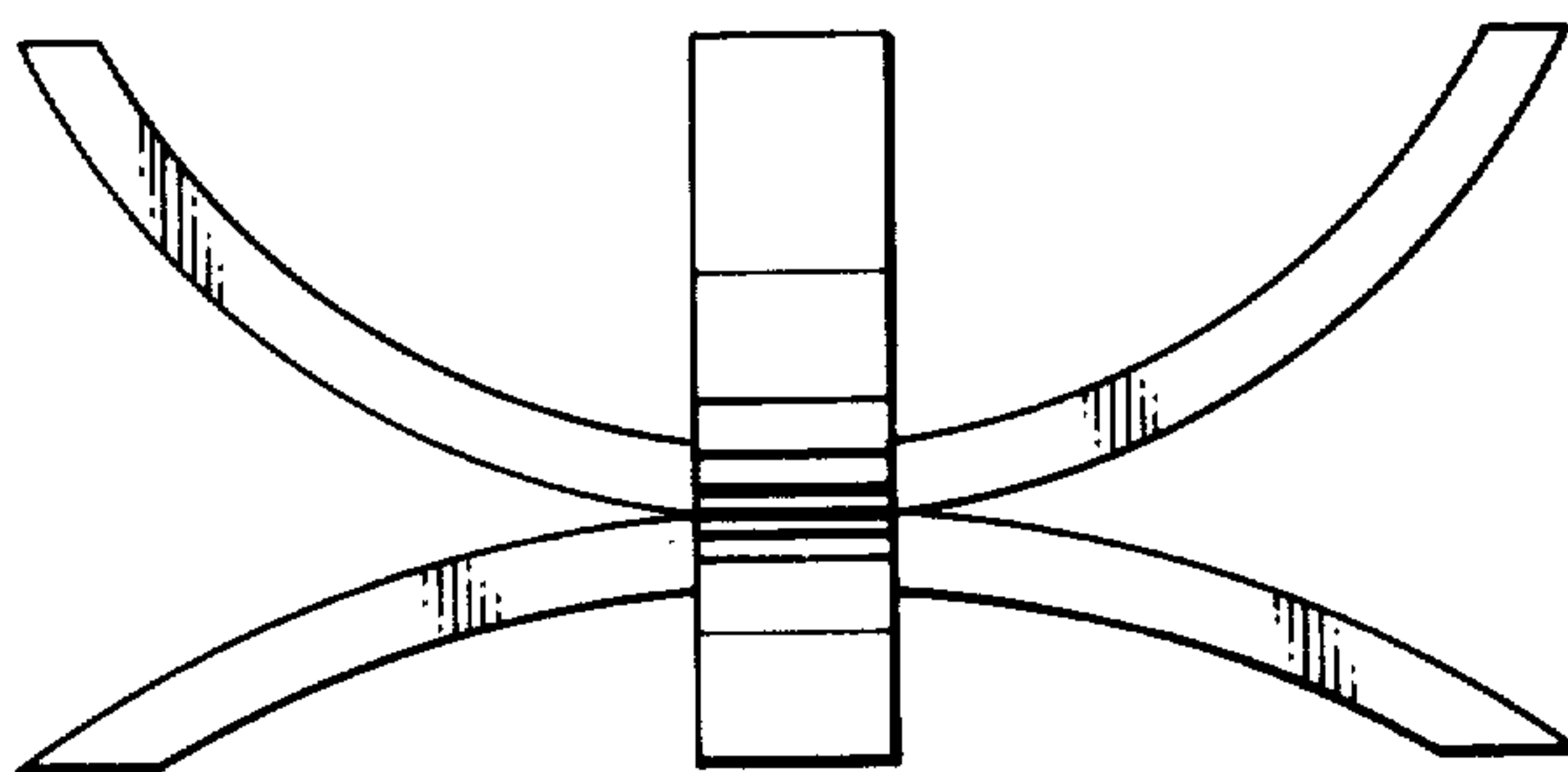
DESCRIPTION

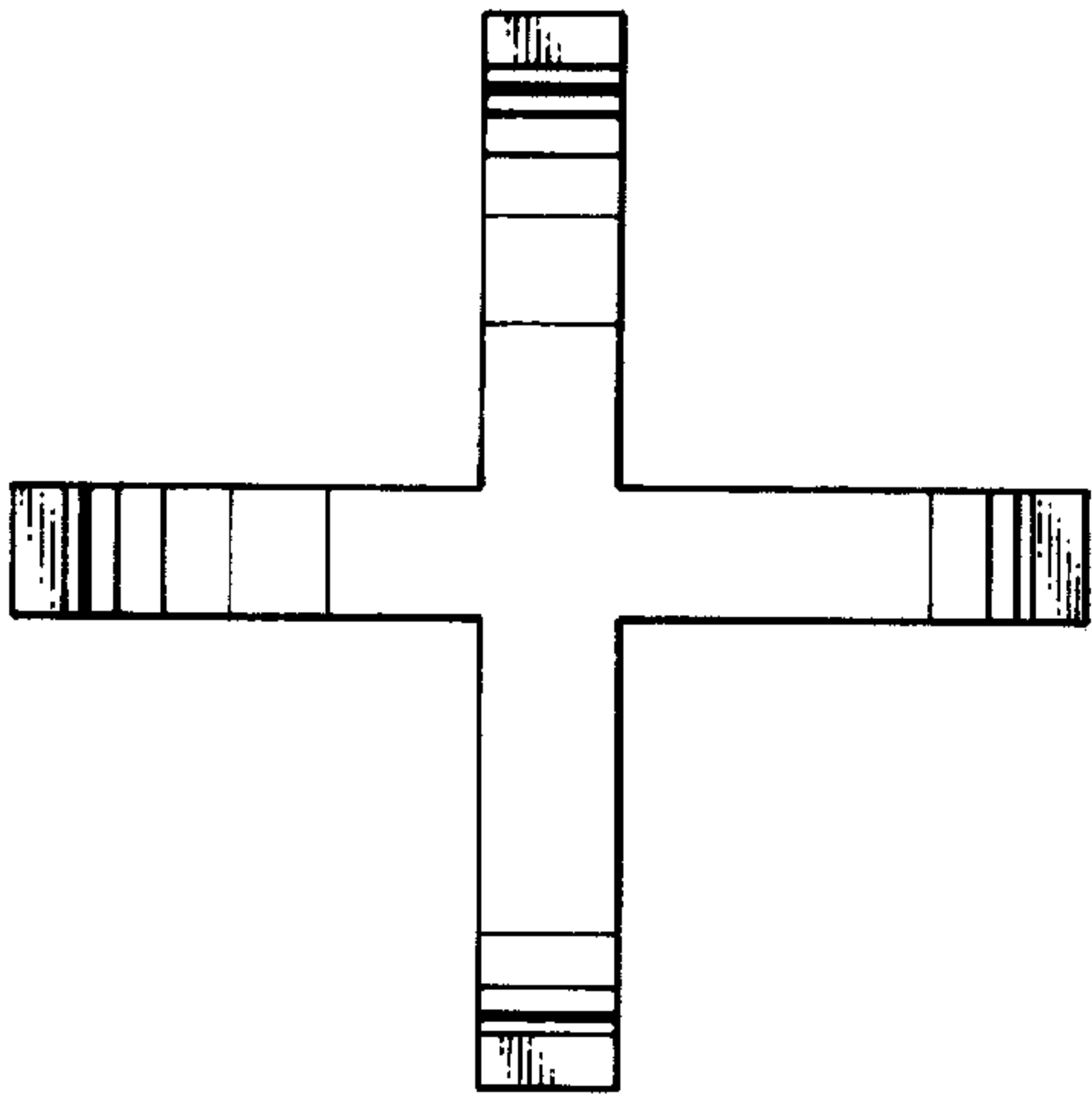
FIG. 1 is a top plan view of a stand showing my new design;

FIG. 2 is a bottom view thereof;

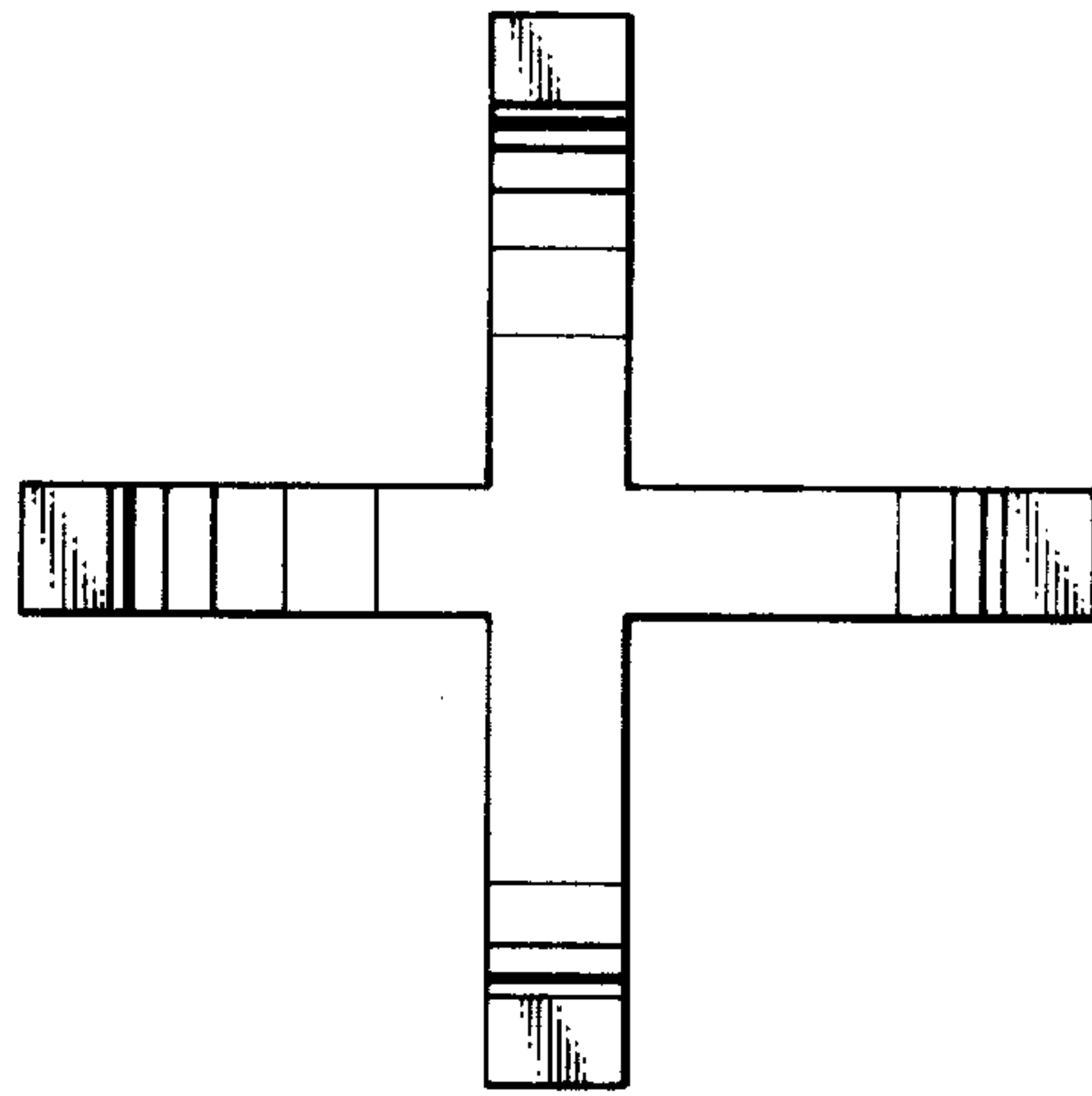
FIG. 3 is a front elevational view thereof, the undisclosed rear elevational view being a mirror image of the front elevational view; and

FIG. 4 is right side elevational view thereof, the undisclosed left side elevational view being a mirror image of the right side elevational view.

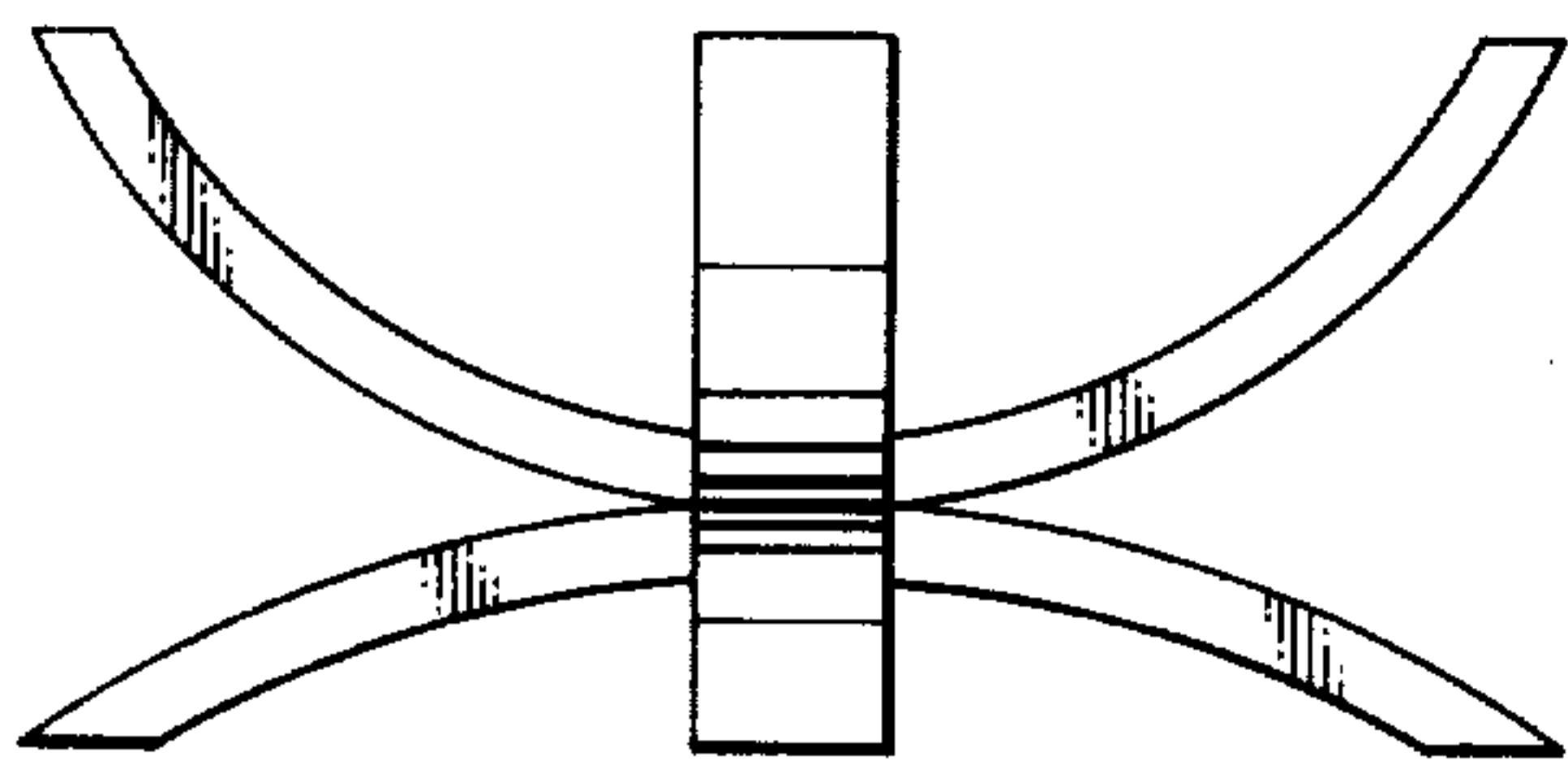




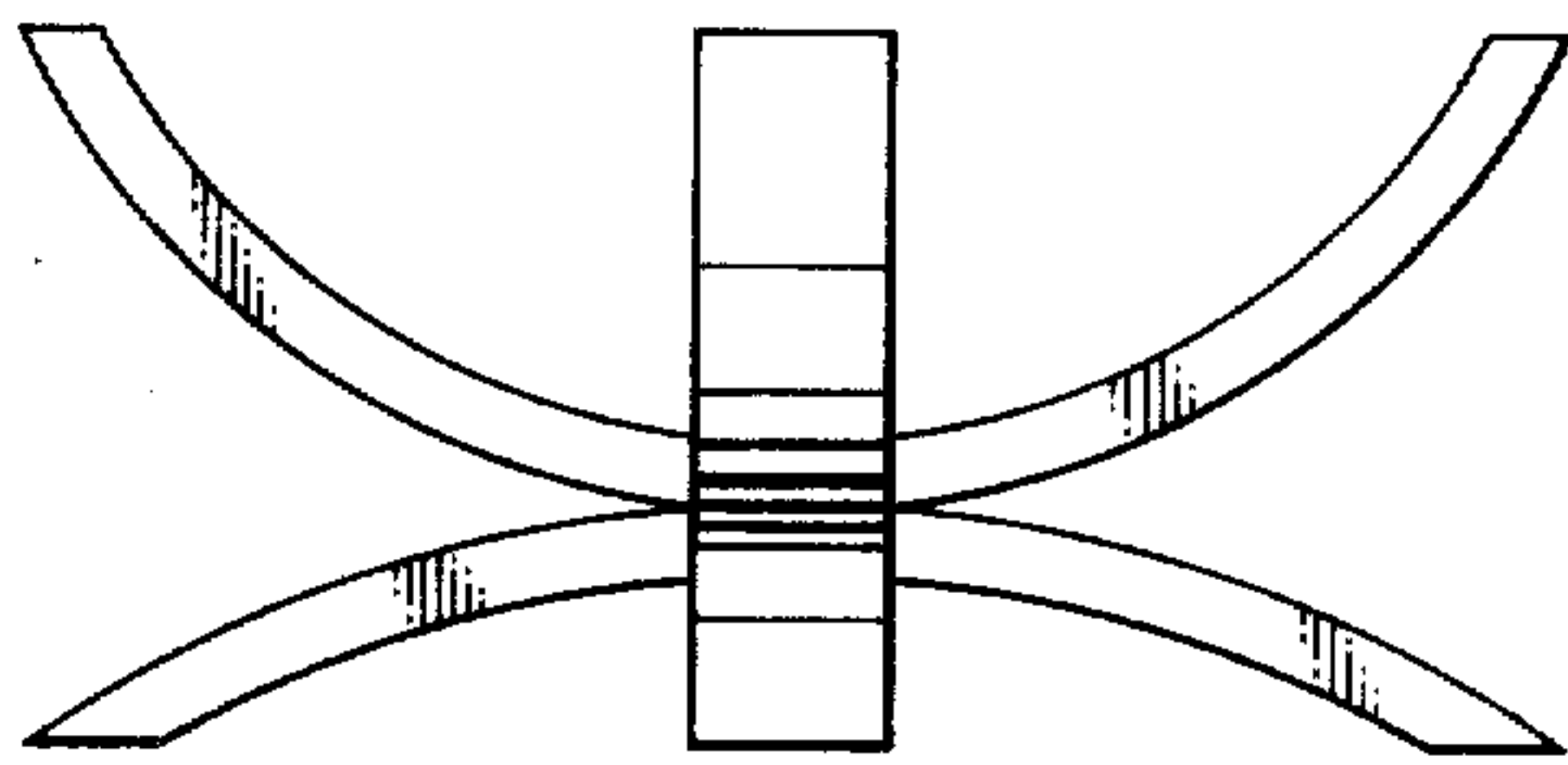
*Fig. 1*



*Fig. 2*



*Fig. 3*



*Fig. 4*