

[54] DISPLAY UNIT AND LIGHT FIXTURES THEREFOR

[76] Inventors: Jerry Shaw, 50 West Fairlawn Blvd.; Samuel G. Solitt, 2121 Brookshire Rd., both of, Akron, Ohio 44313

[**] Term: 14 Years

[21] Appl. No.: 4,903

[22] Filed: Jan. 19, 1979

Related U.S. Application Data

[62] Division of Ser. No. 781,653, Mar. 28, 1977, Pat. No. Des. 253,143.

[51] Int. Cl. D20-02; D25-02; D26-05

[52] U.S. Cl. D6/85; D25/60; D26/92

[58] Field of Search D26/24, 80, 81, 82, D26/83, 84, 85, 86, 89, 93, 102, 103, 104, 105, 106, 92, 108, 110, 111, 112, 118, 128; 362/217, 218, 219, 220, 222, 223, 224, 235, 236, 240, 242, 244, 246, 249, 296, 297, 298, 362, 370, 418, 15T, 125, 126; 312/107, 114, 198, 211; D6/85, 134, 135, 139, 157, 168, 181, 186, 188; D25/50, 60; 211/13, 134, 135, 182

[56]

References Cited

U.S. PATENT DOCUMENTS

D. 64,668	5/1924	Hansen	D25/60
D. 81,794	8/1930	Hormes	D25/60
D. 145,768	10/1946	Andrew	D6/186
D. 235,291	6/1975	Shaw et al.	D6/135
D. 243,733	3/1977	Shaw et al.	D6/168
4,136,380	1/1979	Shaw et al.	362/418

OTHER PUBLICATIONS

Harry Githin Lighting Brochure, p. 2, Multiple Downlight 2101S.

Primary Examiner—B. J. Bullock
Attorney, Agent, or Firm—Reese Taylor

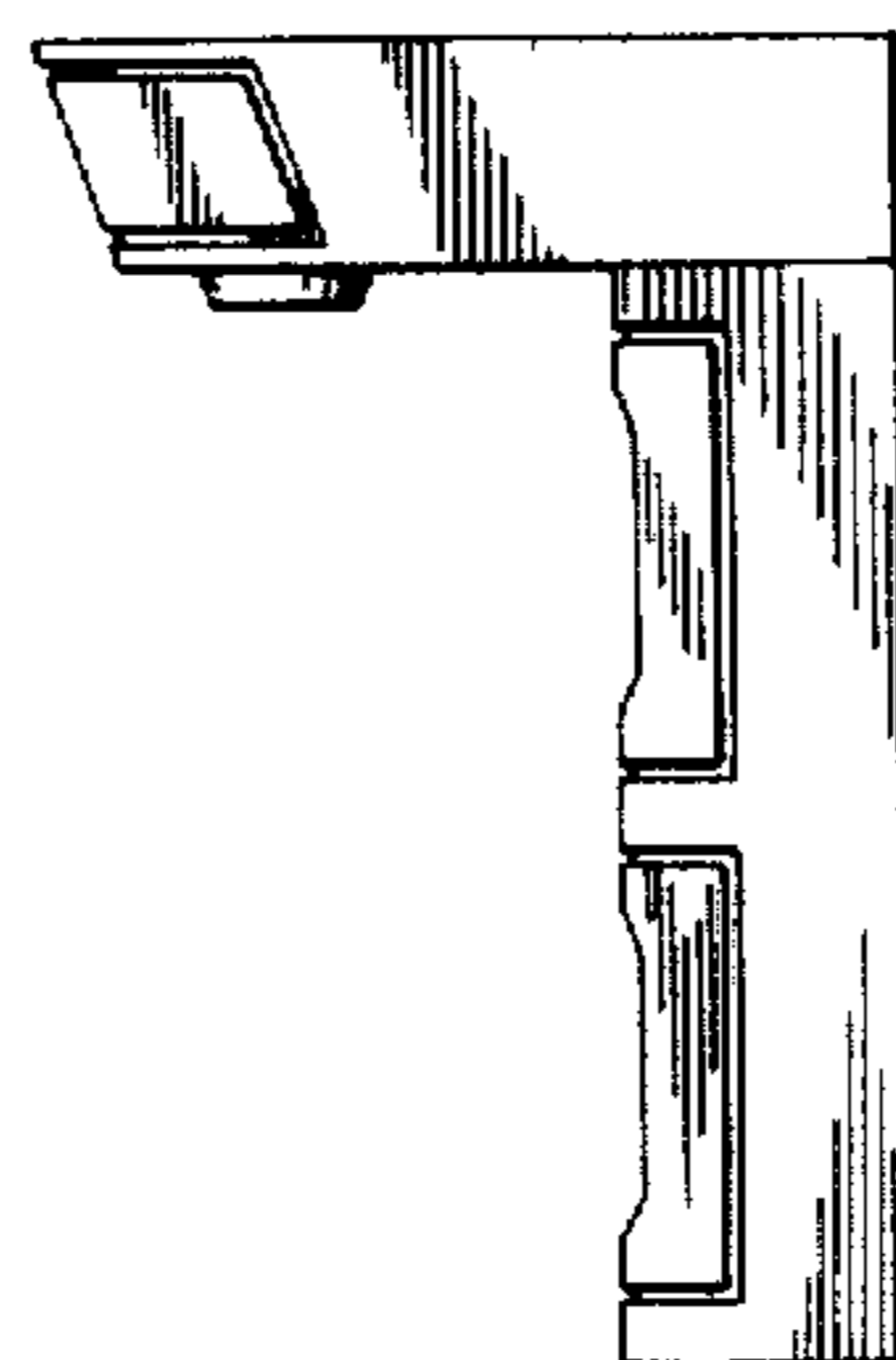
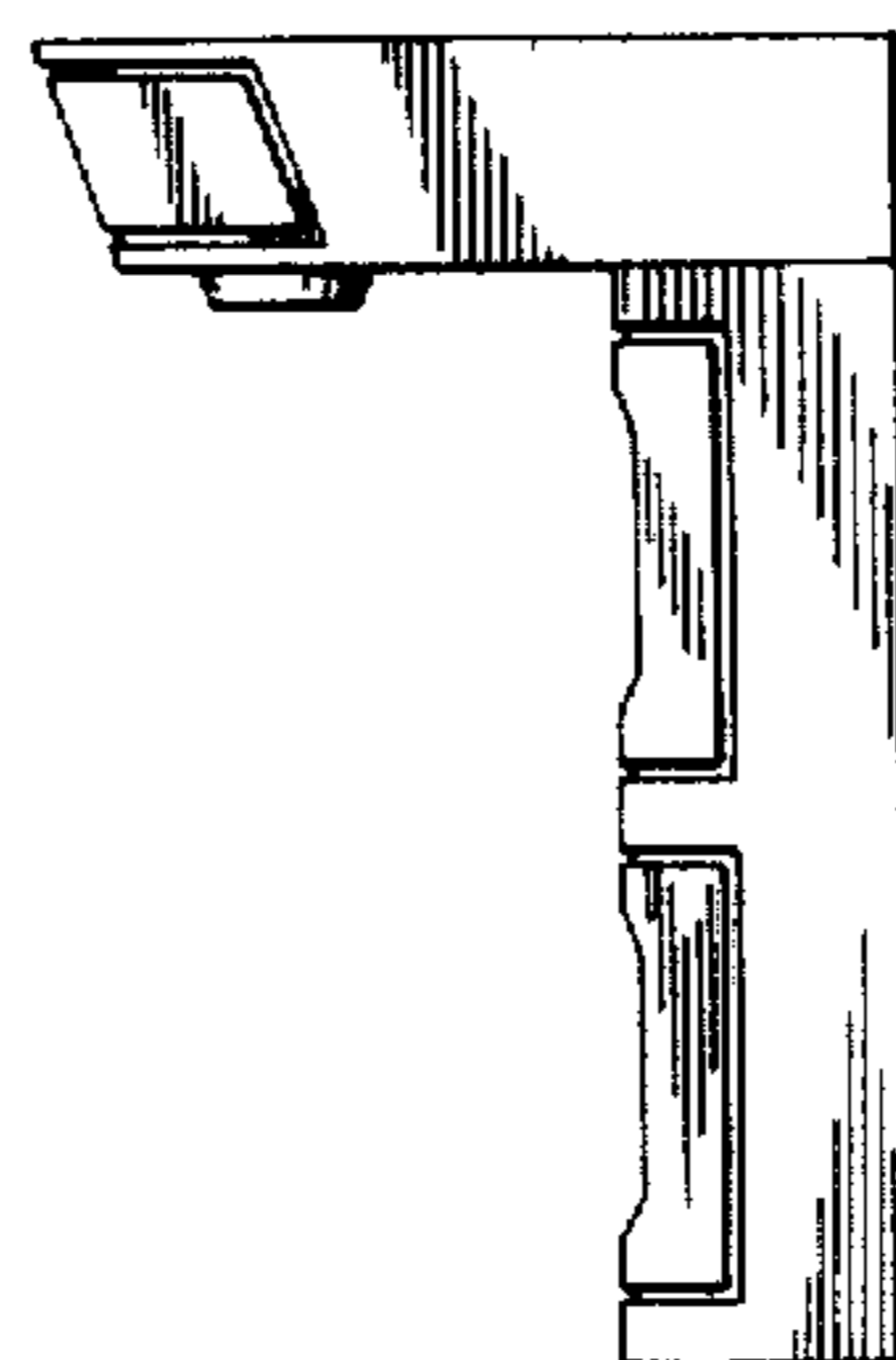
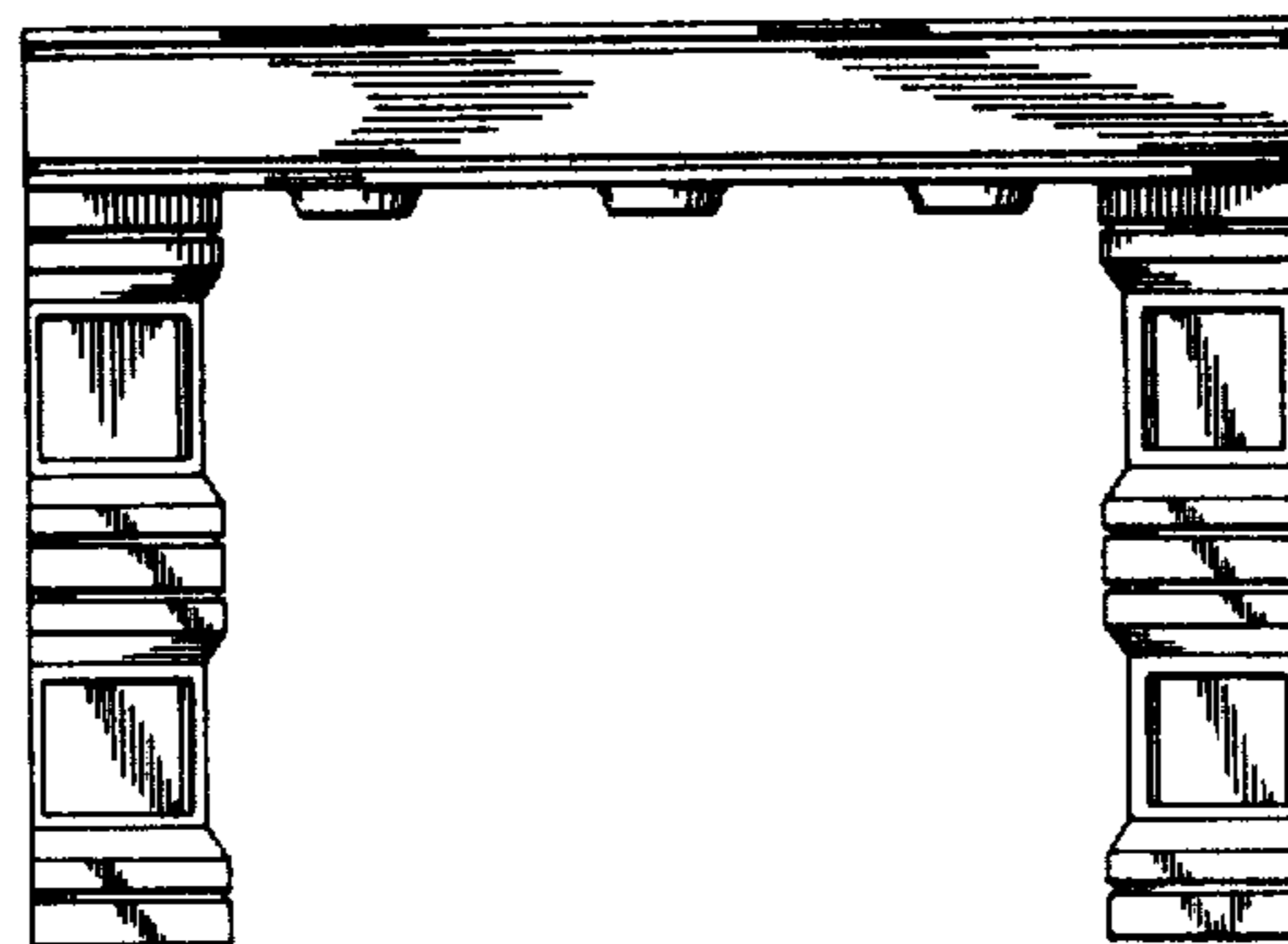
[57]

CLAIM

The ornamental design for a display unit and light fixtures therefor, as shown and described.

DESCRIPTION

FIG. 1 is a front elevational view of a display unit and light fixtures therefor showing our new design; FIG. 2 is a side elevational view taken from the right of FIG. 1, the left side being a mirror image thereof; FIG. 3 is a bottom view of the design of FIG. 1. The top and rear surfaces of the design of FIGS. 1 through 3 are plain and unornamented.



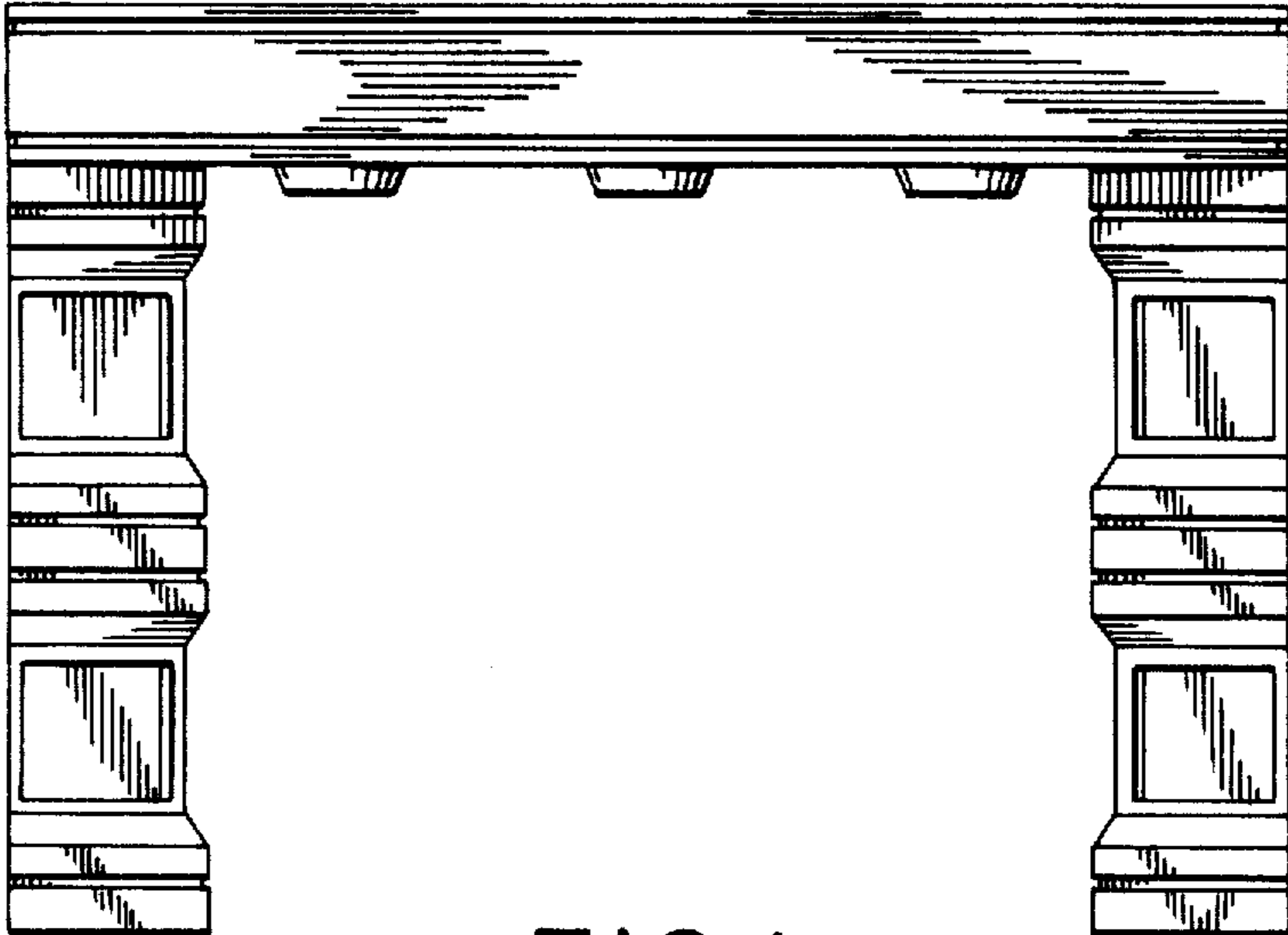


FIG. 1

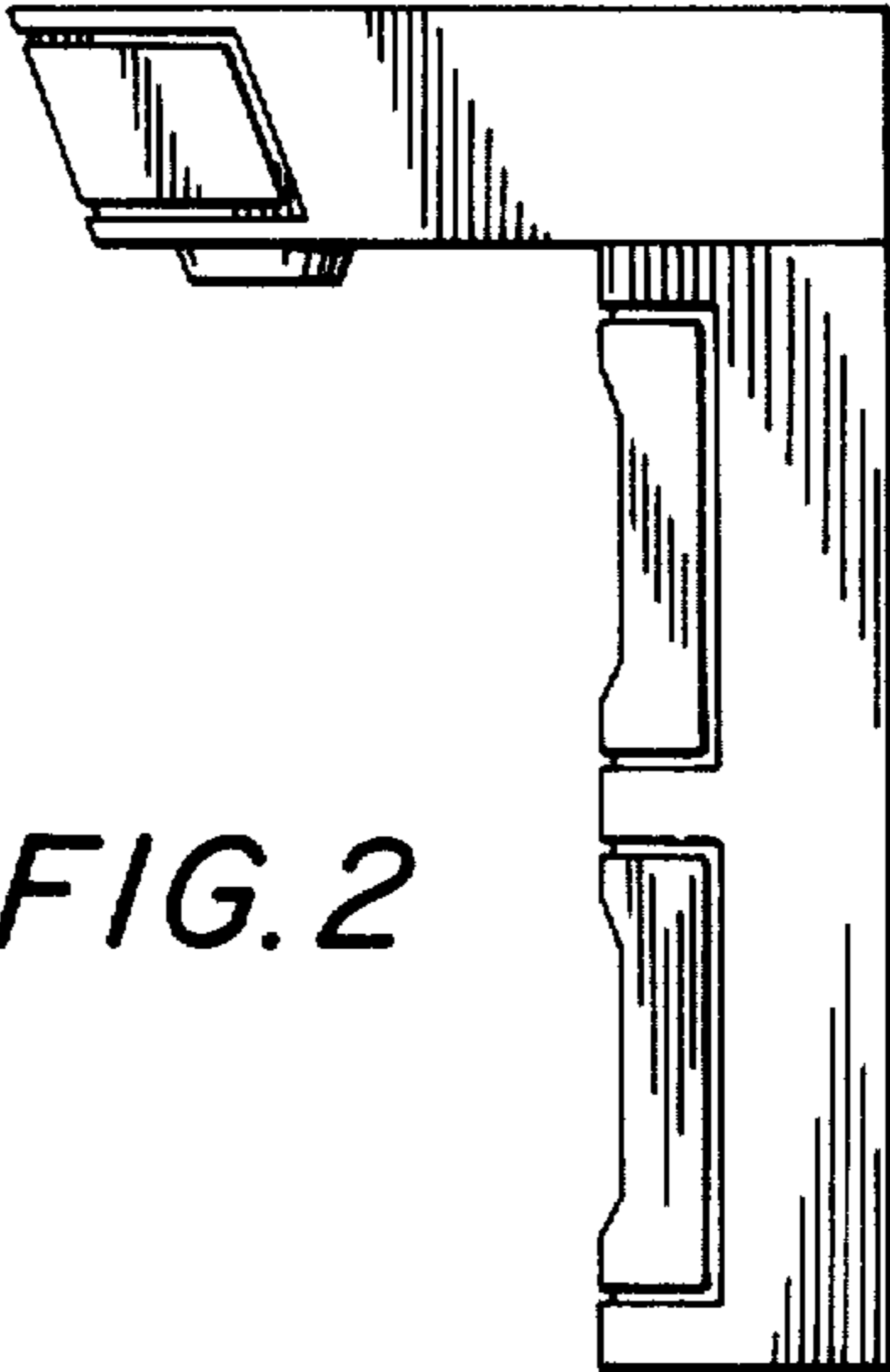


FIG. 2

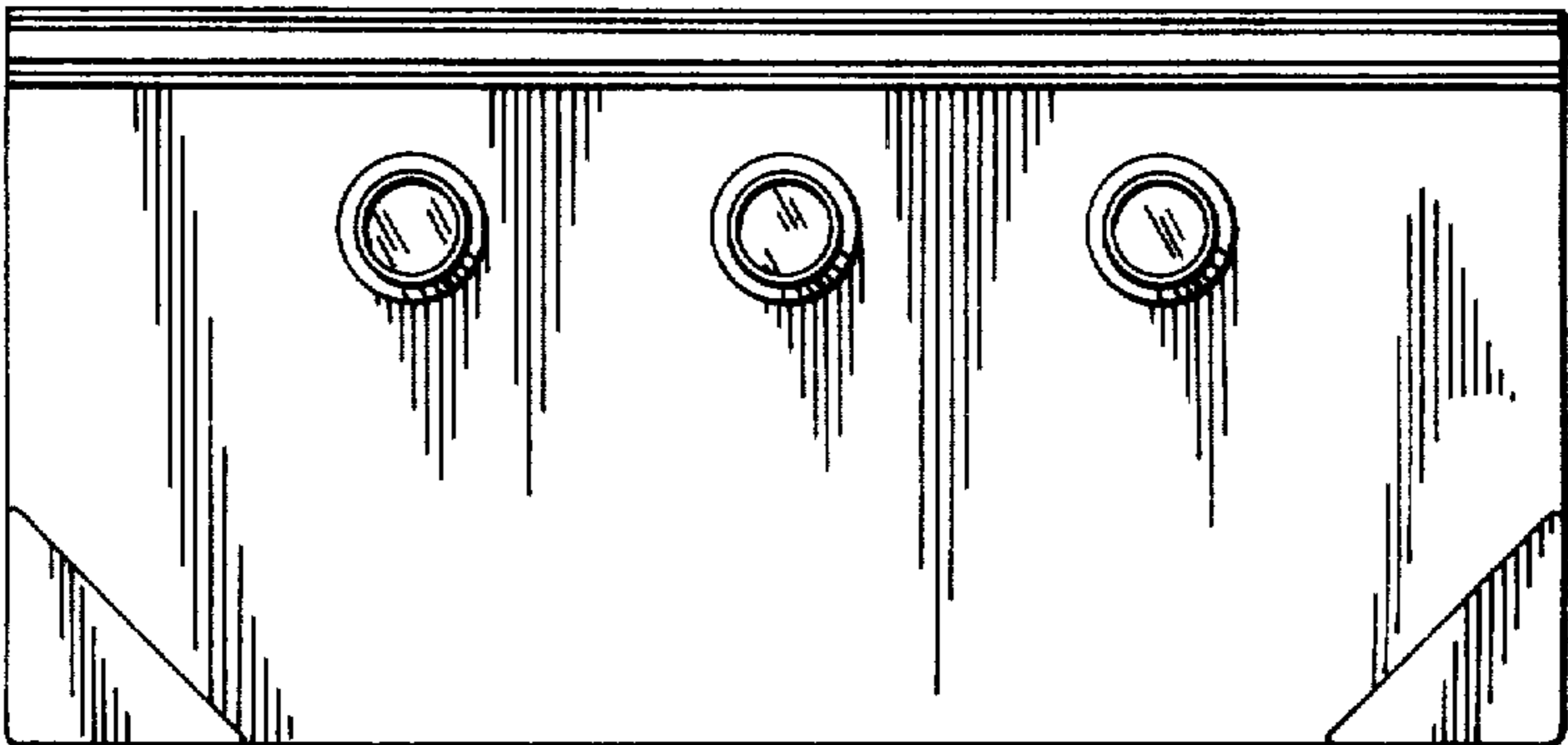


FIG. 3