

[54] CANDLE SCONCE

[56] References Cited  
PUBLICATIONS

[76] Inventor: John P. Alley, Sr., 10841 Meadow La., Philadelphia, Pa. 19154

A. J. P. Coppersmith, Metal Specialties Co., Inc. Carpenter's Hall Sconce. Sturbridge Yankee Workshop Handbook & Catalog, 1972-1973, p. 61, Piecrust Sconce.

[\*\*] Term: 14 Years

Primary Examiner—Susan J. Lucas  
Attorney, Agent, or Firm—Howson and Howson

[21] Appl. No.: 65,266

[57] CLAIM

The ornamental design for a candle sconce, substantially as shown and described.

[22] Filed: Aug. 9, 1979

DESCRIPTION

[51] Int. Cl. .... D26-01

FIG. 1 is a front elevational view of the candle sconce embodying my new design;

[52] U.S. Cl. .... D26/9

FIG. 2 is a plan view thereof;

[58] Field of Search ..... D26/6, 23; 431/288,

FIG. 3 is a side elevational view thereof;

431/297

FIG. 4 is a rear elevational view thereof; and

FIG. 5 is a bottom plan view thereof.

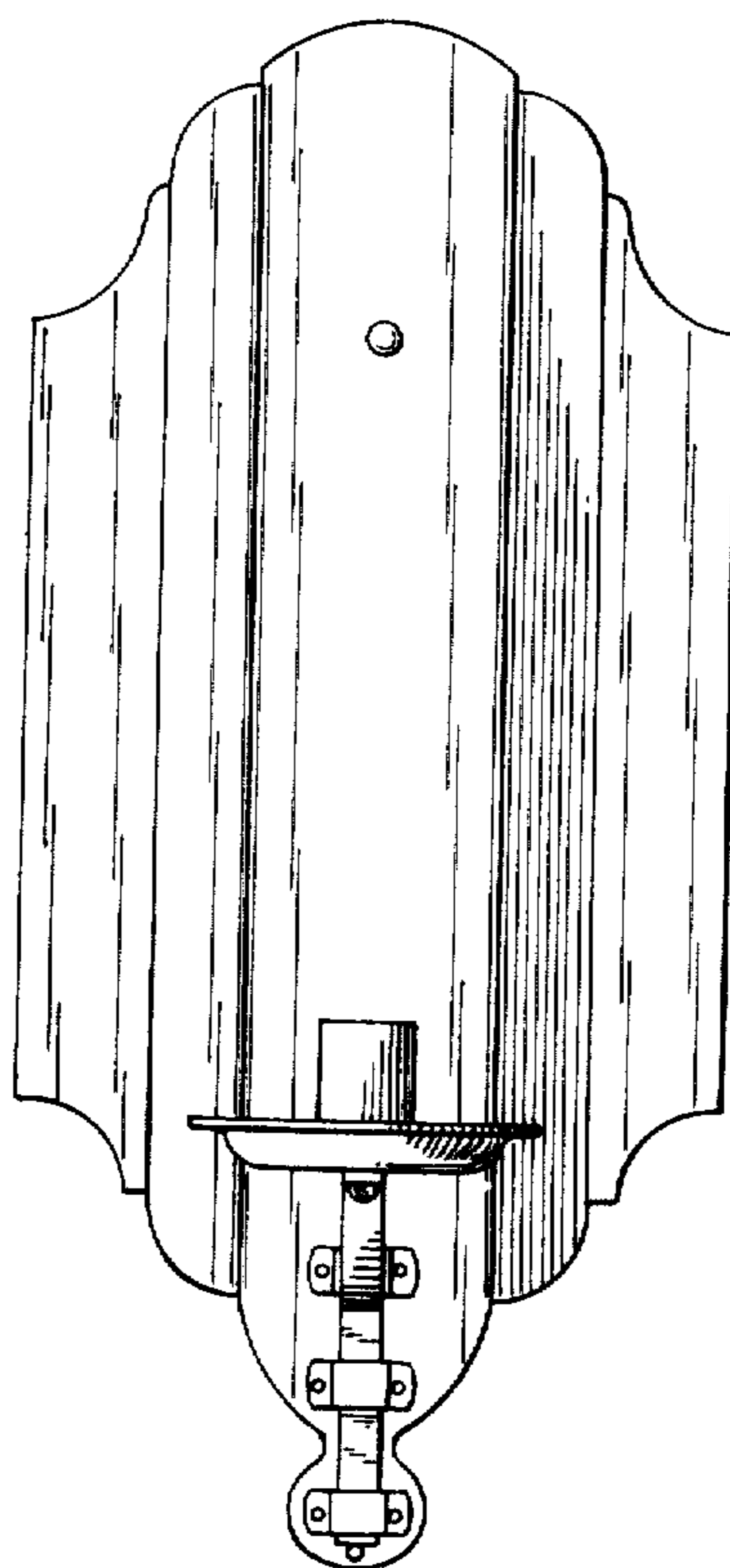


FIG. 2.

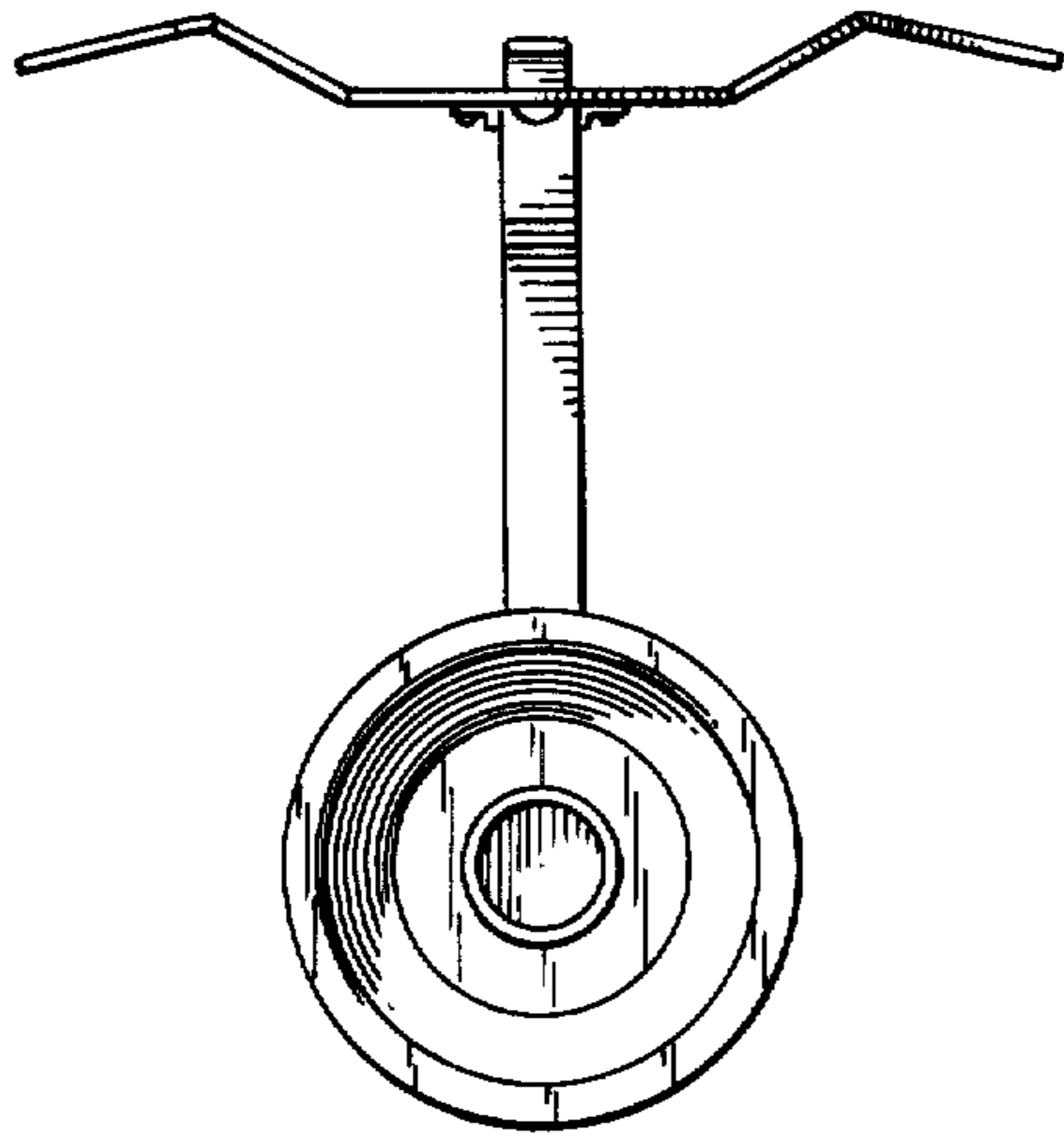


FIG. 1.

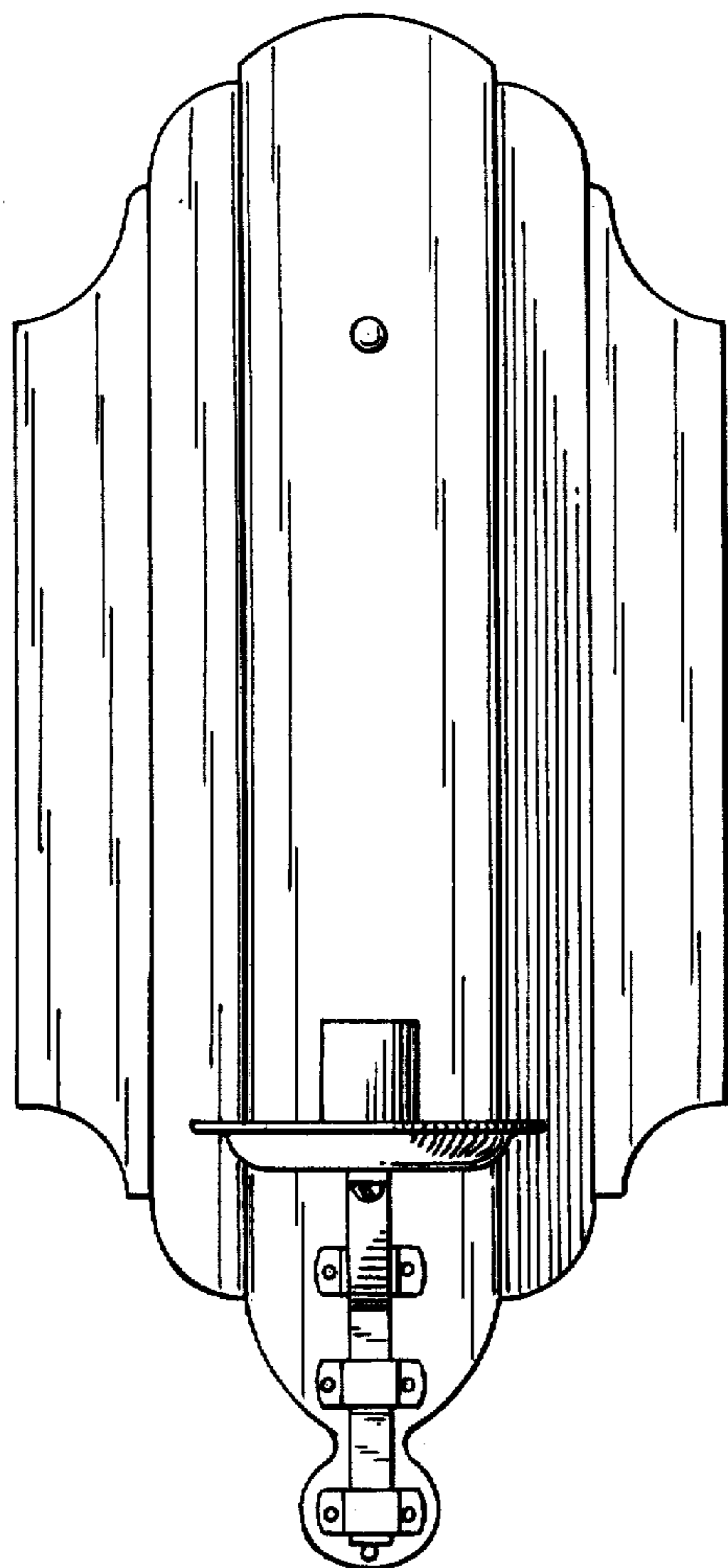


FIG. 3.

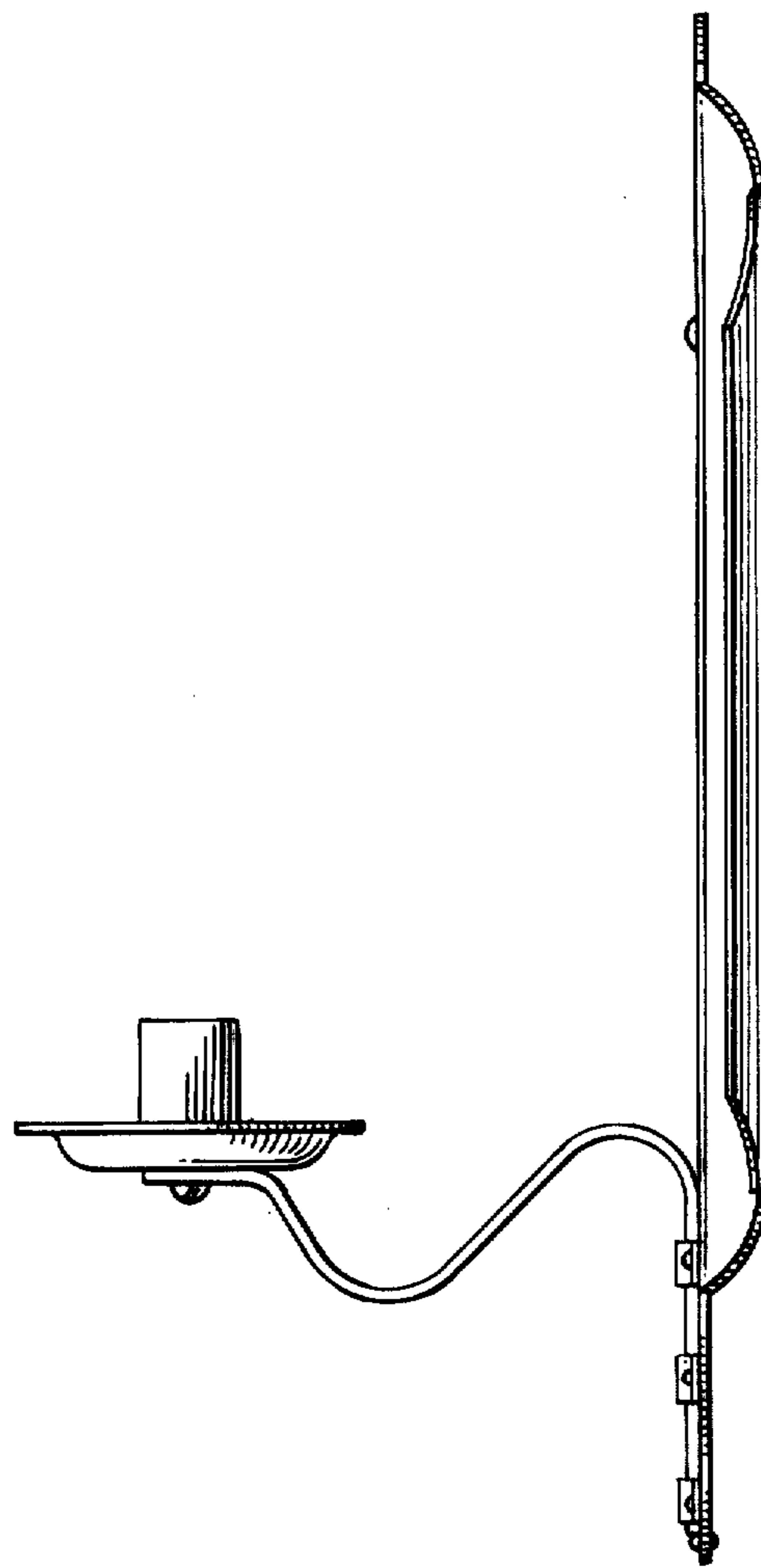


FIG.4.

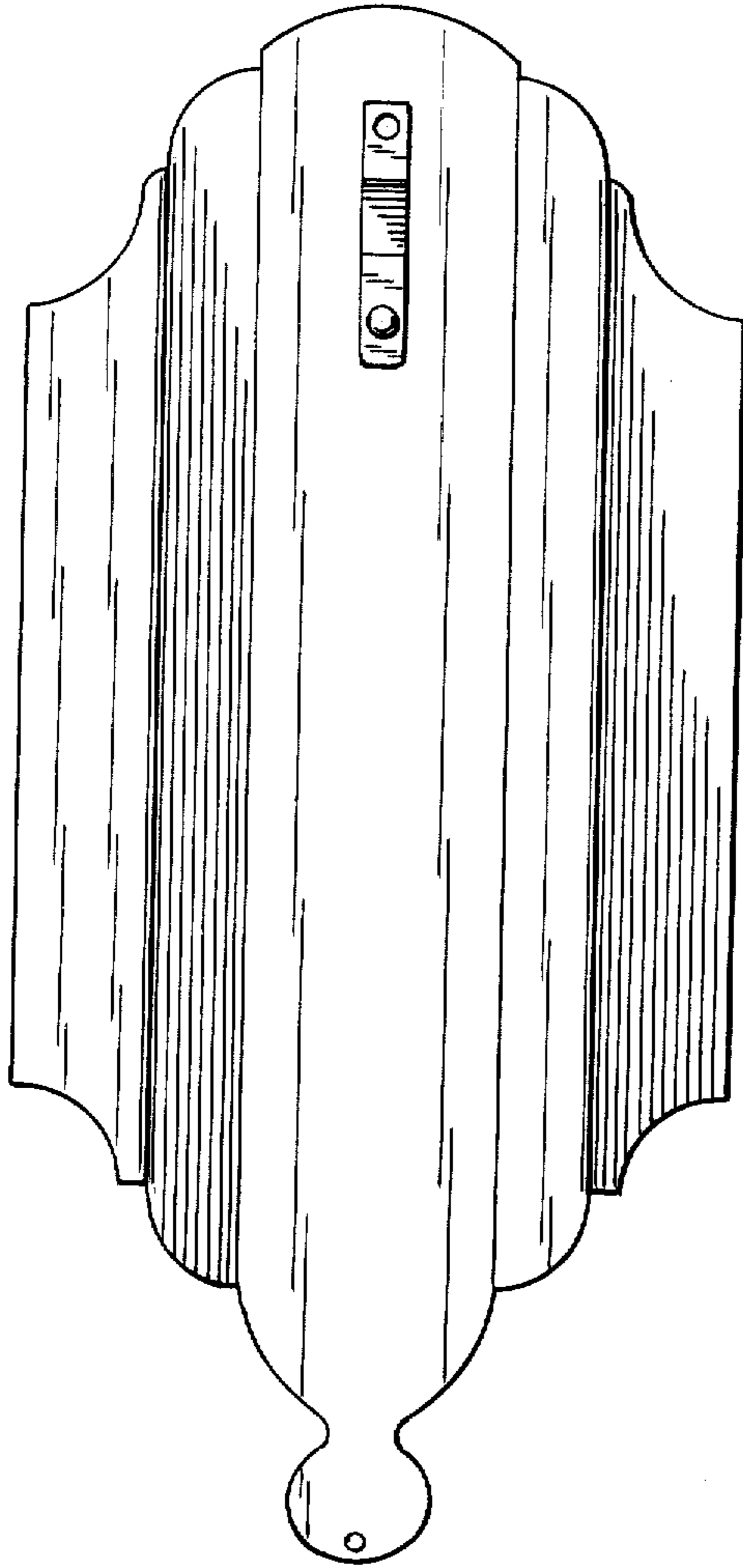


FIG.5.

