

[54] WATER CLOSET

[75] Inventor: Richard J. Cuttriss, Fillmore, Calif.

[73] Assignee: Gruber Systems, Inc., Valencia, Calif.

[**] Term: 14 Years

[21] Appl. No.: 186,689

[22] Filed: Sep. 12, 1980

[51] Int. Cl. D23-02

[52] U.S. Cl. D23/65

[58] Field of Search D23/48, 51, 65-67;
4/249, 250, 300, 317, 321, 323, 329, 330, 420,
420.1-420.5, 443, 448

[56] References Cited

U.S. PATENT DOCUMENTS

D. 101,535 10/1936 Karstadt D23/65

D. 185,618 6/1959 Teague et al. D23/65
D. 185,643 7/1959 Magid et al. D23/65
D. 191,697 11/1961 Chapman D23/65
D. 199,021 9/1964 Stairs, Jr. D23/65
D. 224,108 7/1972 Doman D23/65
D. 237,884 12/1975 Korol D23/65
4,162,548 7/1979 Groombridge et al. 4/300

Primary Examiner—James R. Largen

Attorney, Agent, or Firm—Kendrick, Netter & Bennett

[57] CLAIM

The ornamental design for a water closet, as shown.

DESCRIPTION

FIG. 1 is a perspective view taken from the top, front and left side of a water closet showing my new design; FIG. 2 is a front elevational view thereof; FIG. 3 is a top plan view thereof; FIG. 4 is a right side elevational view thereof; and FIG. 5 is a rear elevational view thereof.

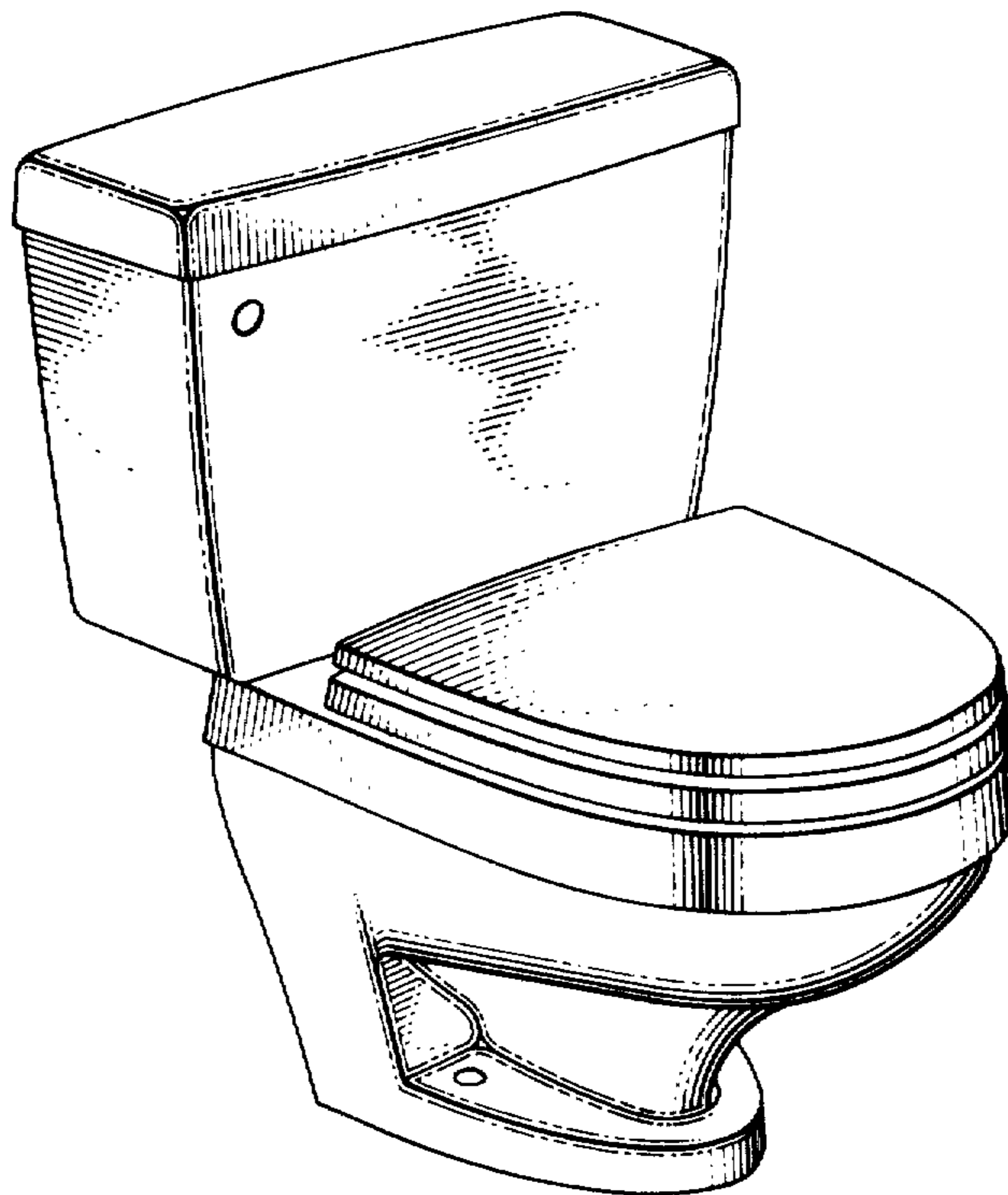


FIG. 1.

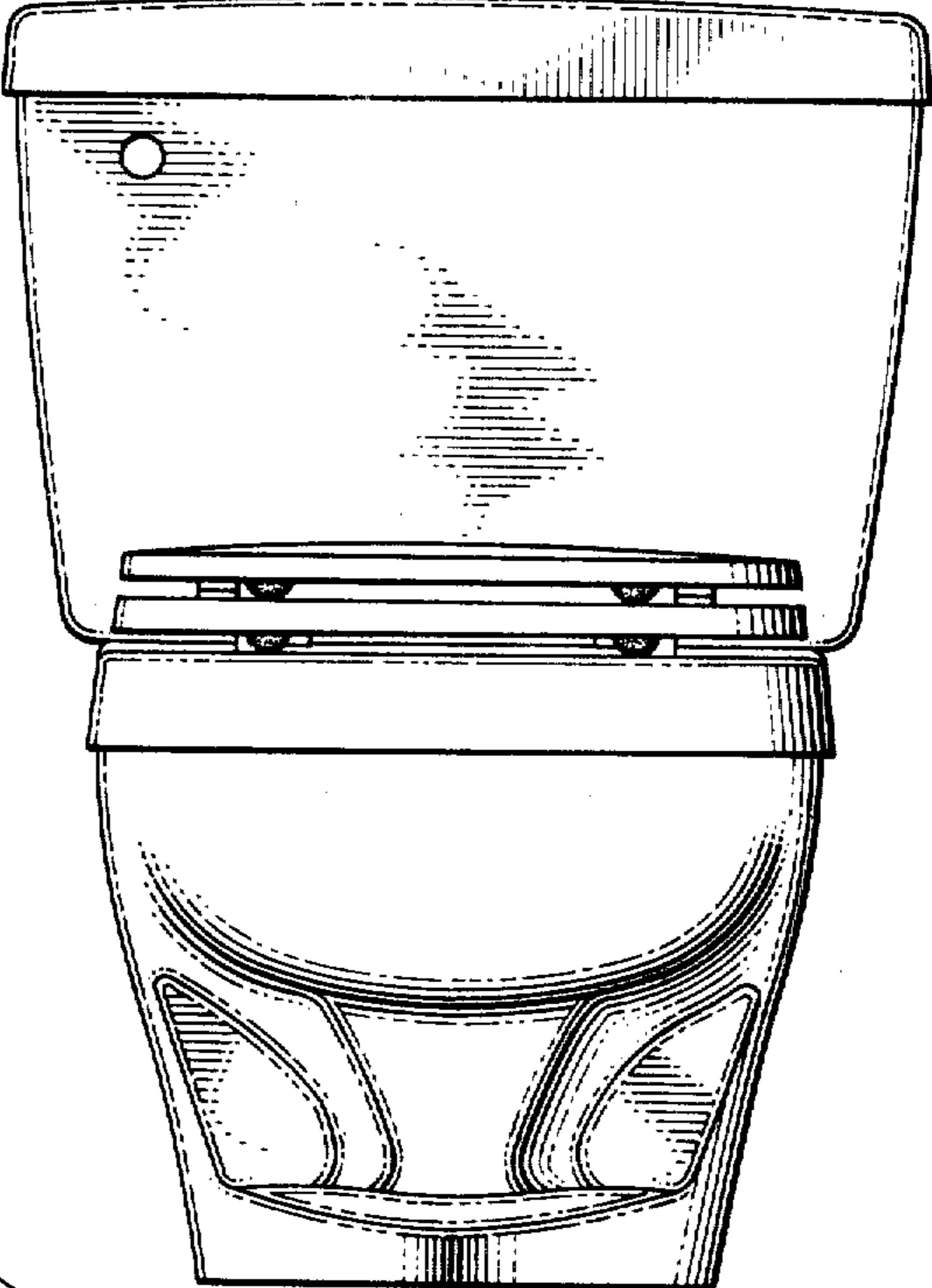
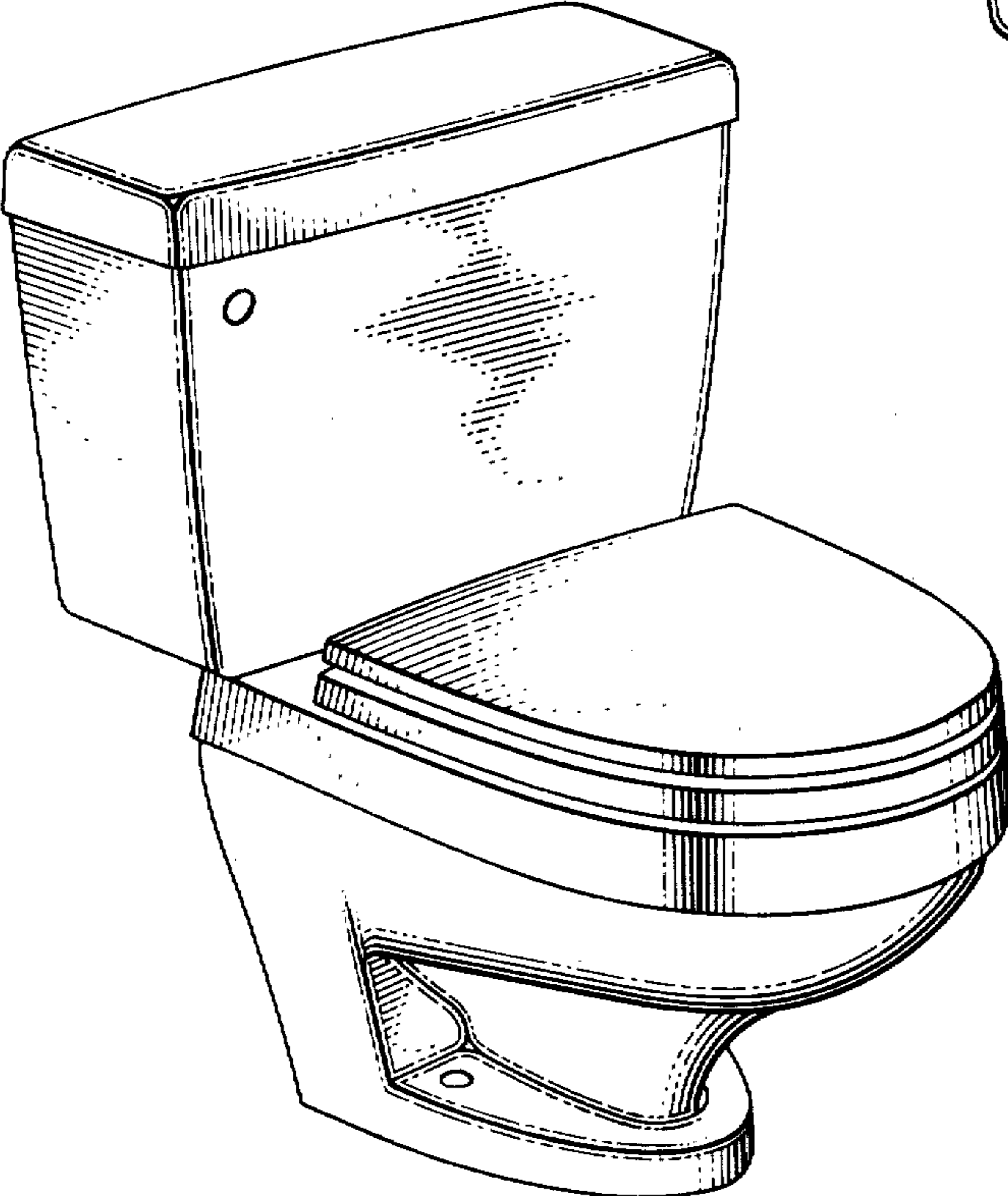
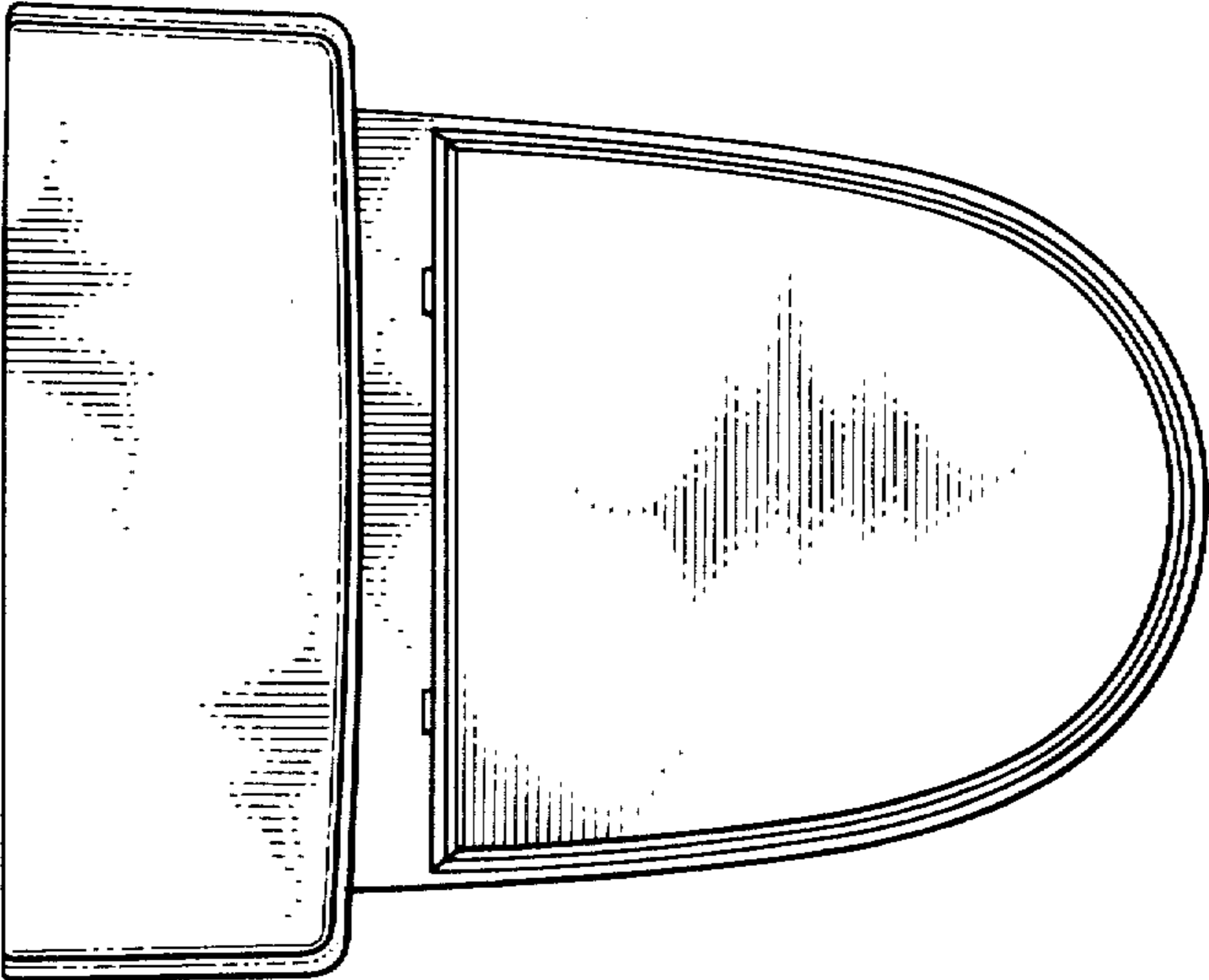


FIG. 2.

FIG. 3.



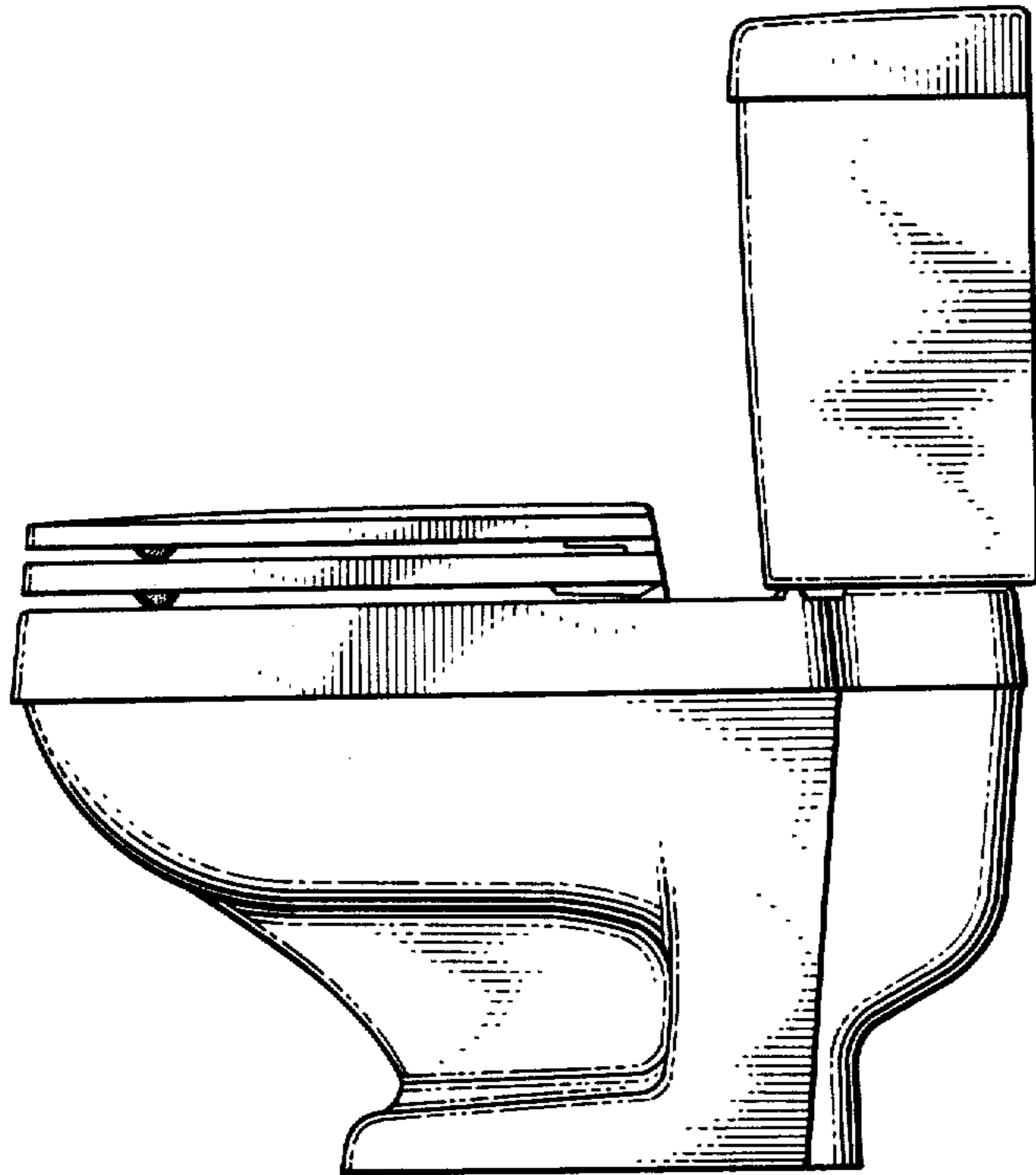


FIG. 4.

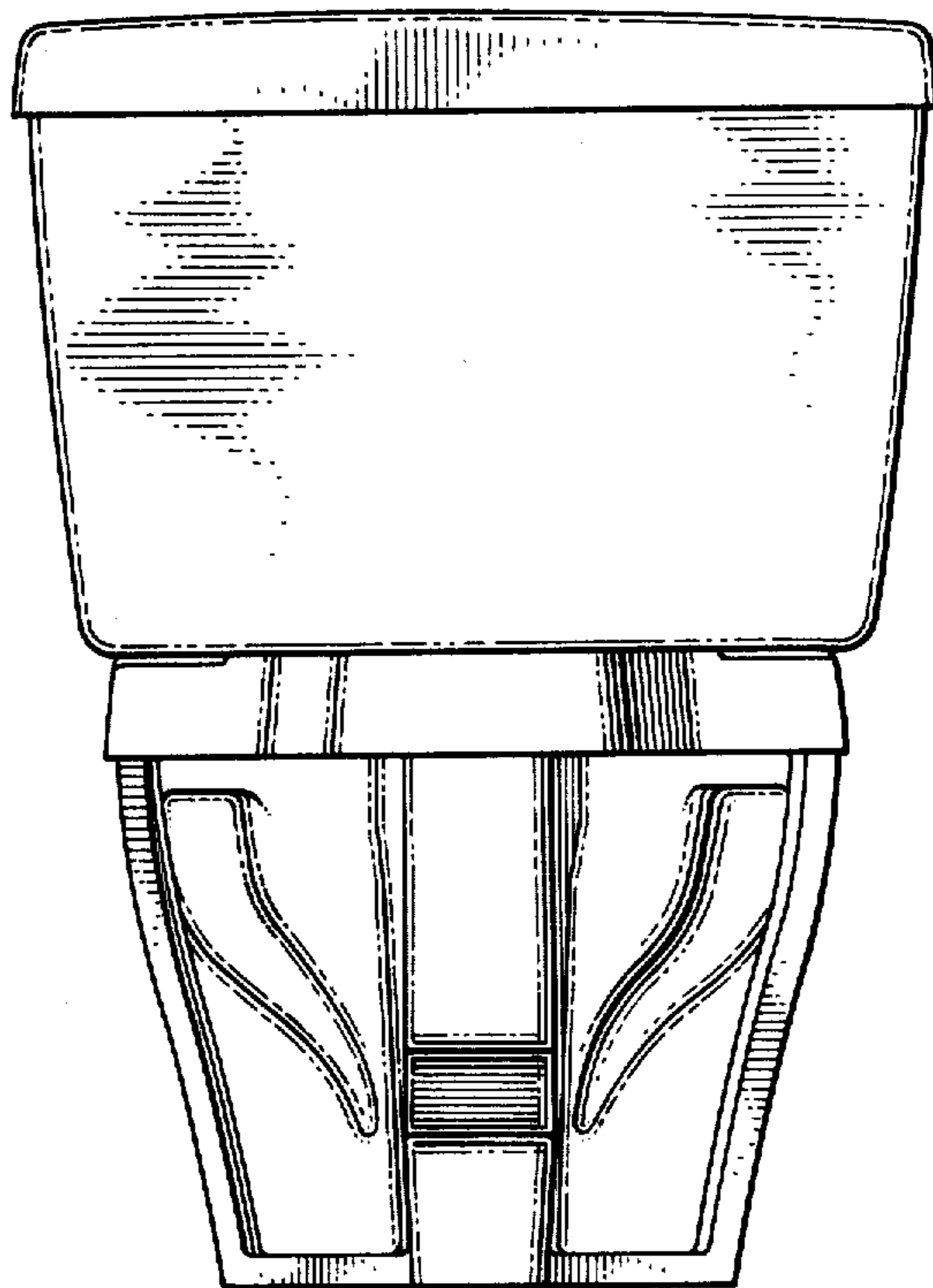


FIG. 5.