

[54] TOY ANIMAL FIGURE

[75] Inventors: Kenzo Kurosawa; Fukuji Hachimura, both of Tokyo, Japan

[73] Assignee: Gakken Co., Ltd, Tokyo, Japan

[**] Term: 14 Years

[21] Appl. No.: 45,431

[22] Filed: Jun. 4, 1979

[51] Int. Cl. D21-01

[52] U.S. Cl. D21/160

[58] Field of Search D21/64, 65, 148, 150, D21/160; 46/115, 117, 119, 120, 123, 124, 146; D11/44, 45, 49; D6/11

[56] References Cited

U.S. PATENT DOCUMENTS

- D. 139,787 12/1944 Hausman D21/160
- D. 176,475 12/1955 Norrick D21/160
- D. 255,866 7/1980 Panos D21/160

Primary Examiner—Charles A. Rademaker
Attorney, Agent, or Firm—Irving M. Weiner; Pamela S. Burt; John L. Shortley

[57] CLAIM

The ornamental design for a toy animal figure, as shown.

DESCRIPTION

FIG. 1 is a front perspective view of a toy animal figure showing our new design;
 FIG. 2 is another front perspective view thereof showing the head in a rotated condition and the beak member in an open condition;
 FIG. 3 is a rear perspective view thereof;
 FIG. 4 is a front elevational view thereof, with the beak member in a closed condition;
 FIG. 5 is a rear elevational view thereof;
 FIG. 6 is a top plan view thereof;
 FIG. 7 is a bottom plan view thereof;
 FIG. 8 is a side elevational view thereof; and
 FIG. 9 is a side elevational view of the side opposite that shown in FIG. 8.

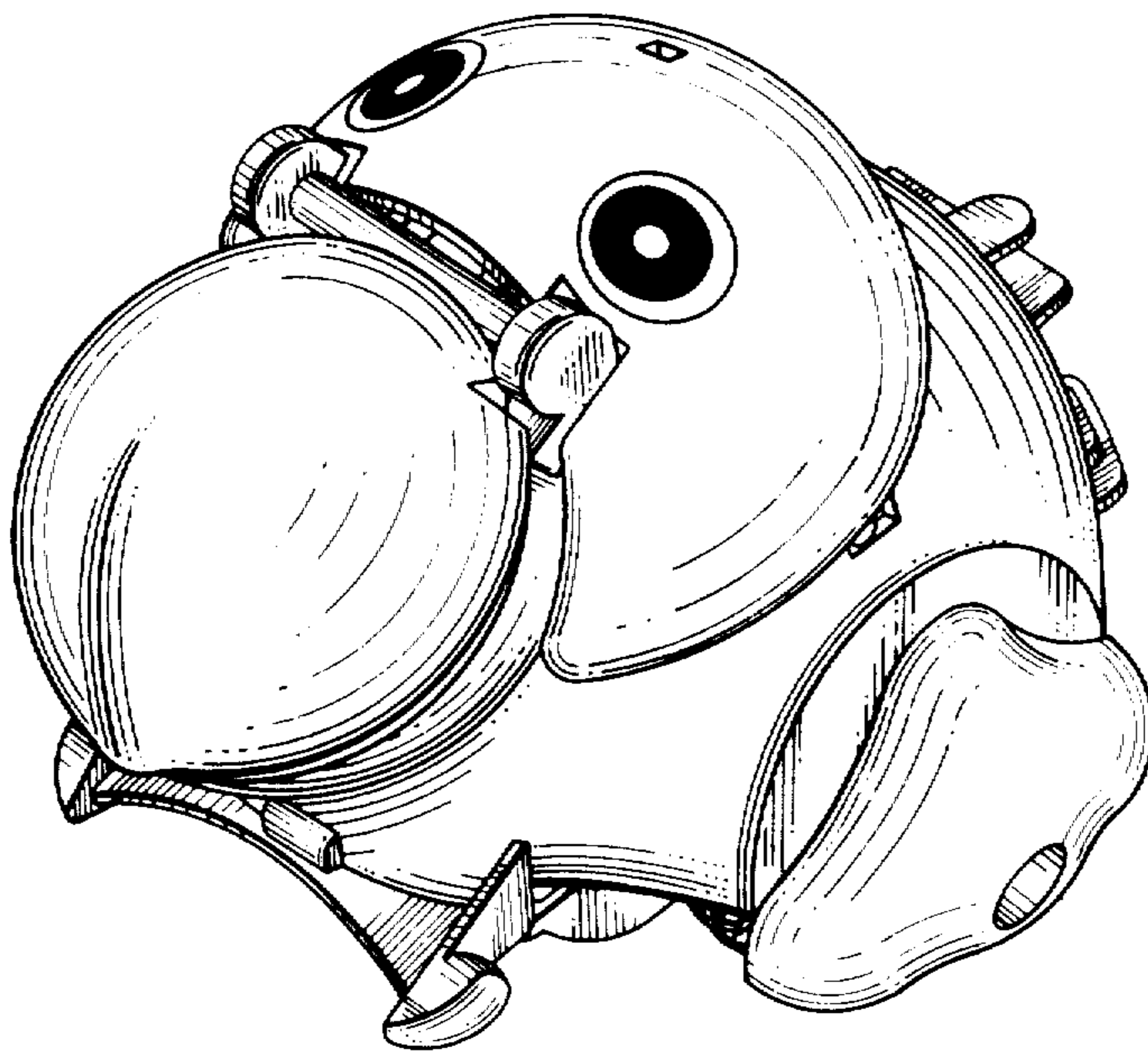


FIG. 1

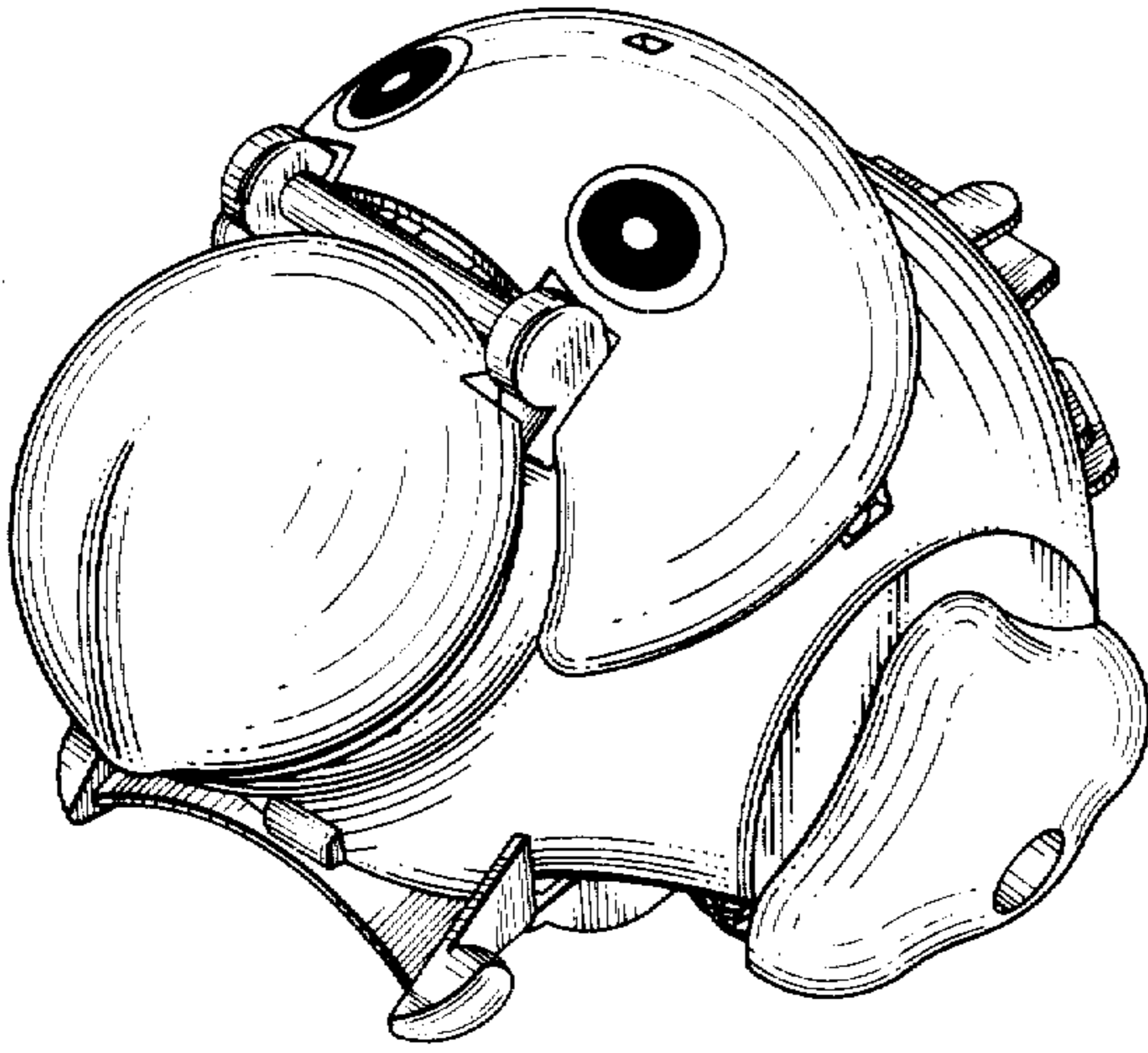


FIG. 2

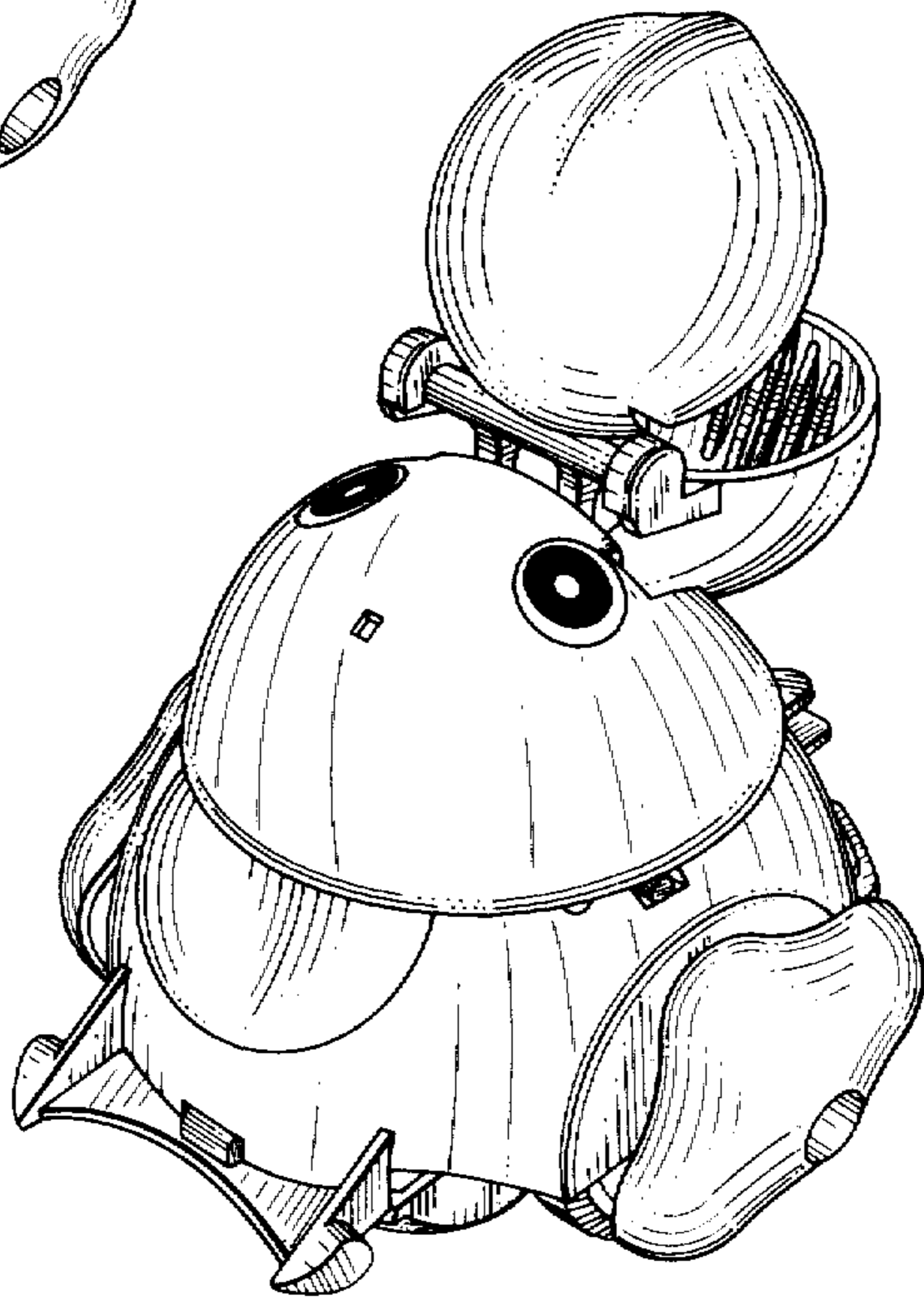


FIG. 3

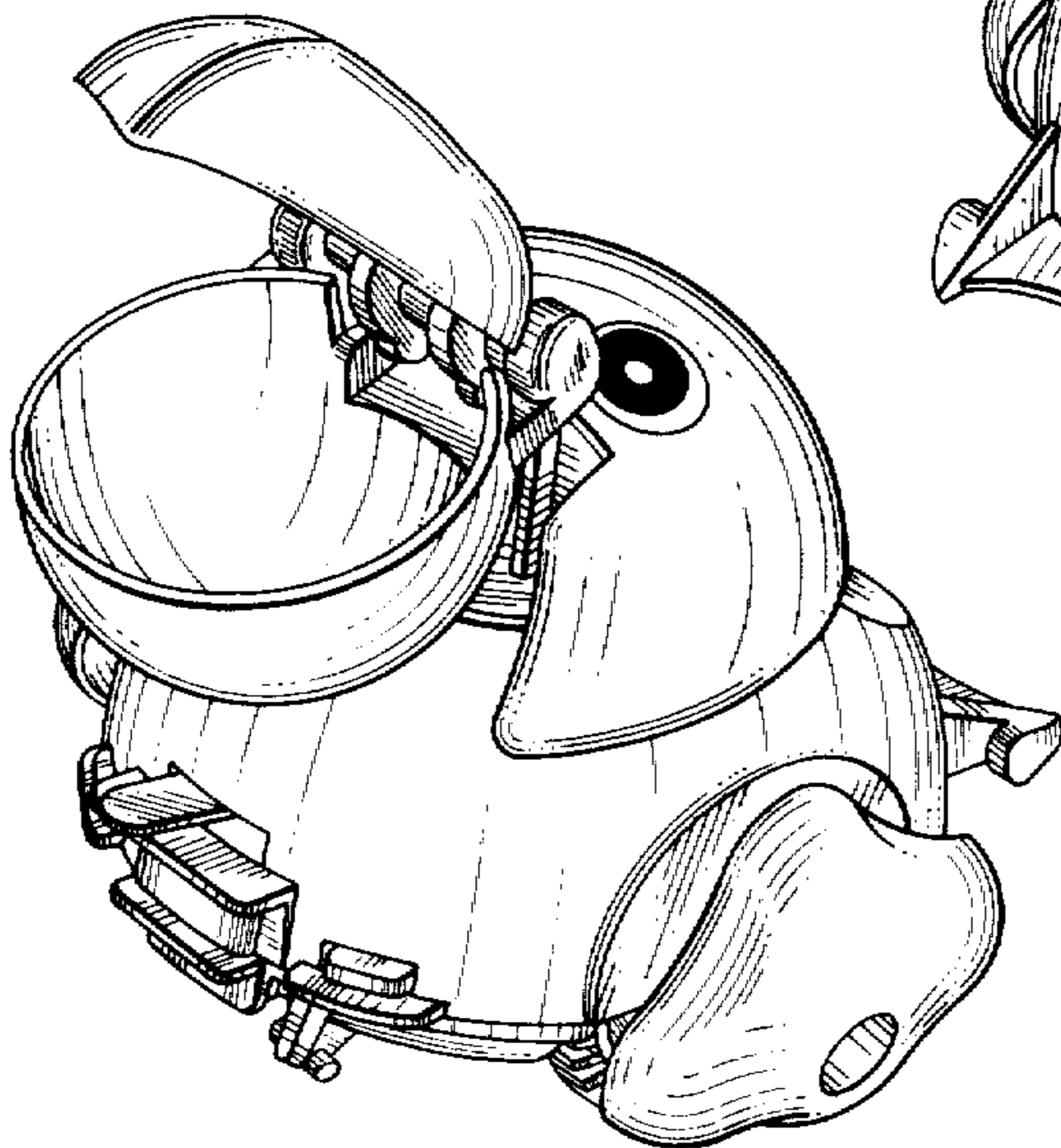


FIG. 4

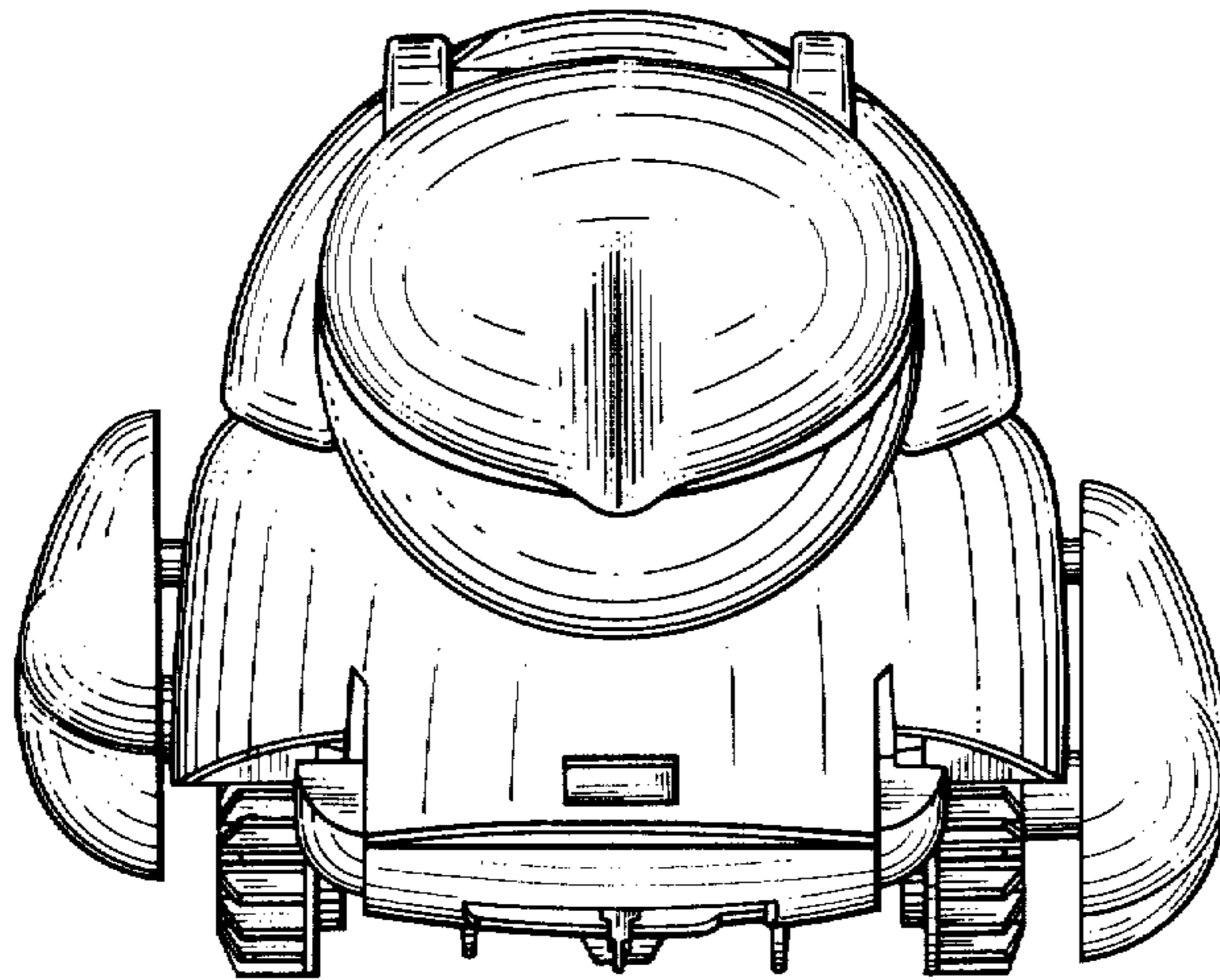


FIG. 5

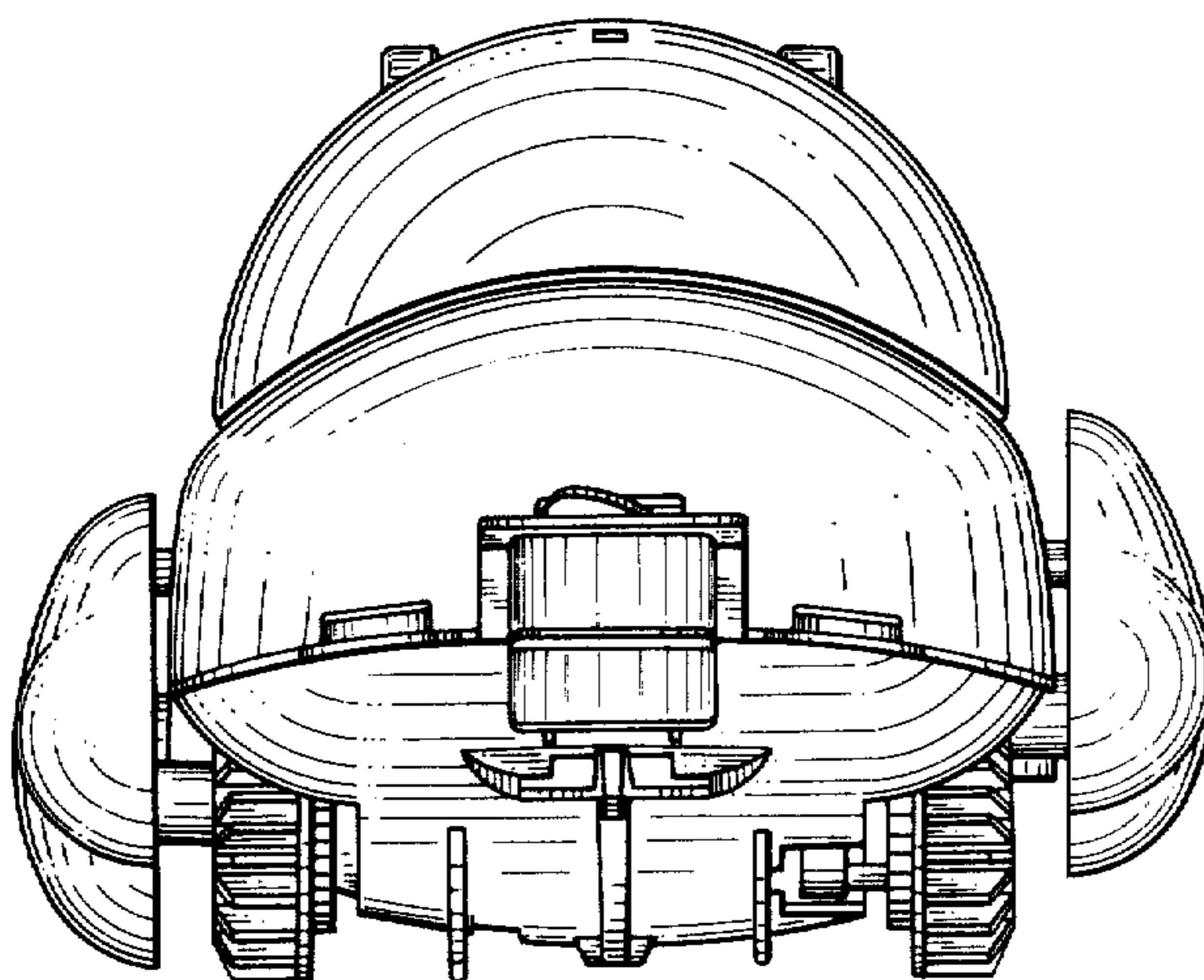


FIG. 6

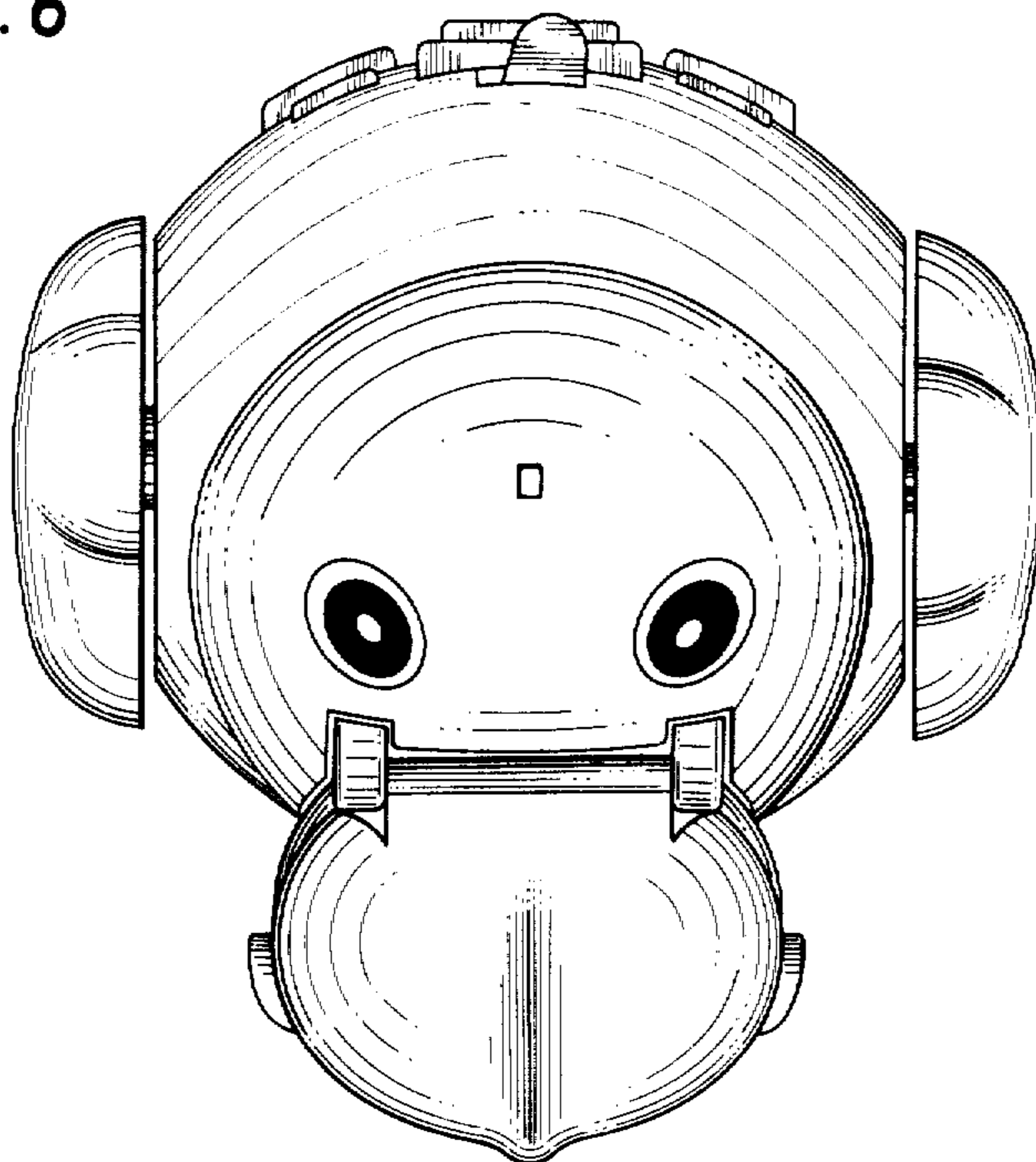


FIG. 7

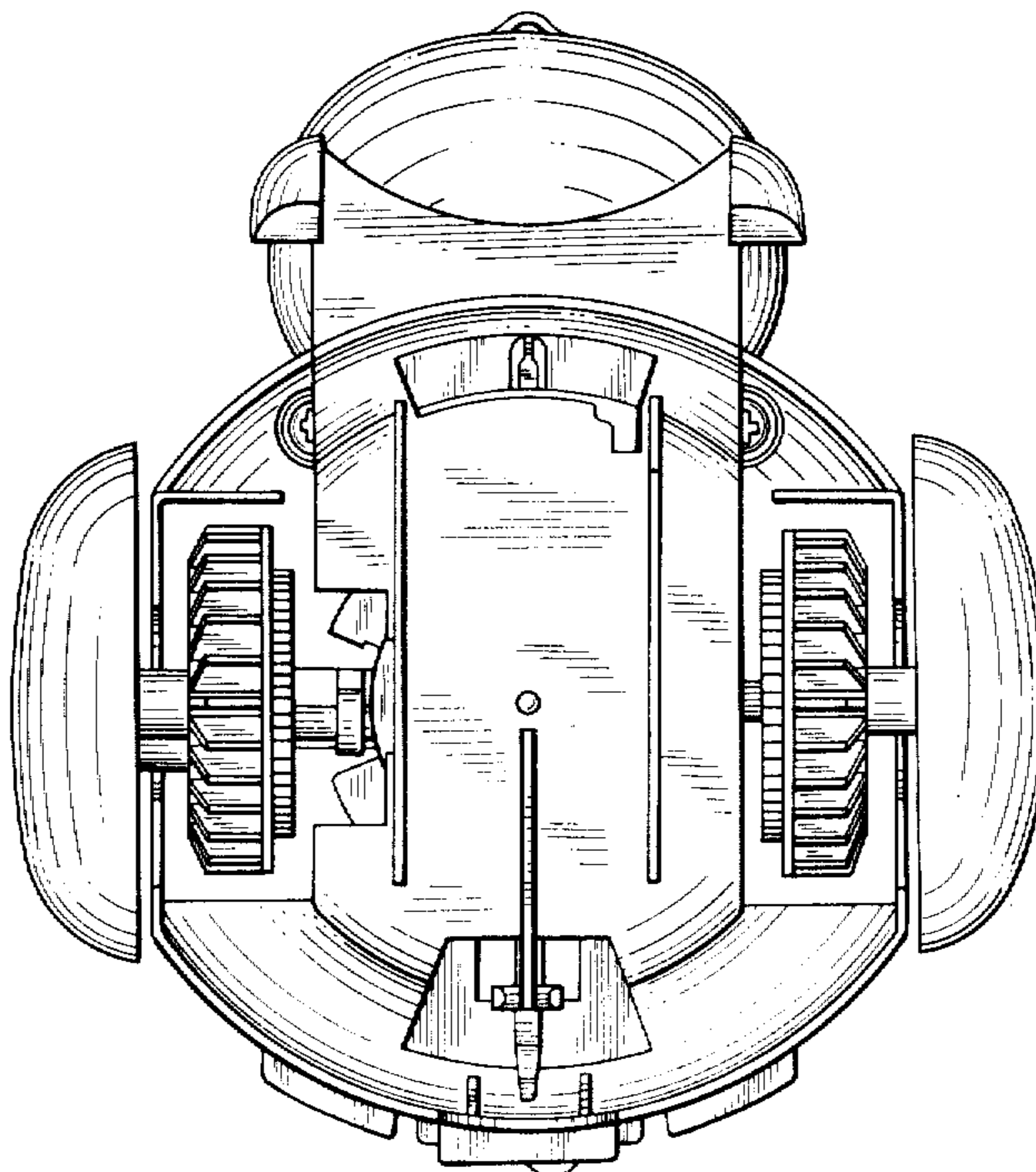


FIG. 8

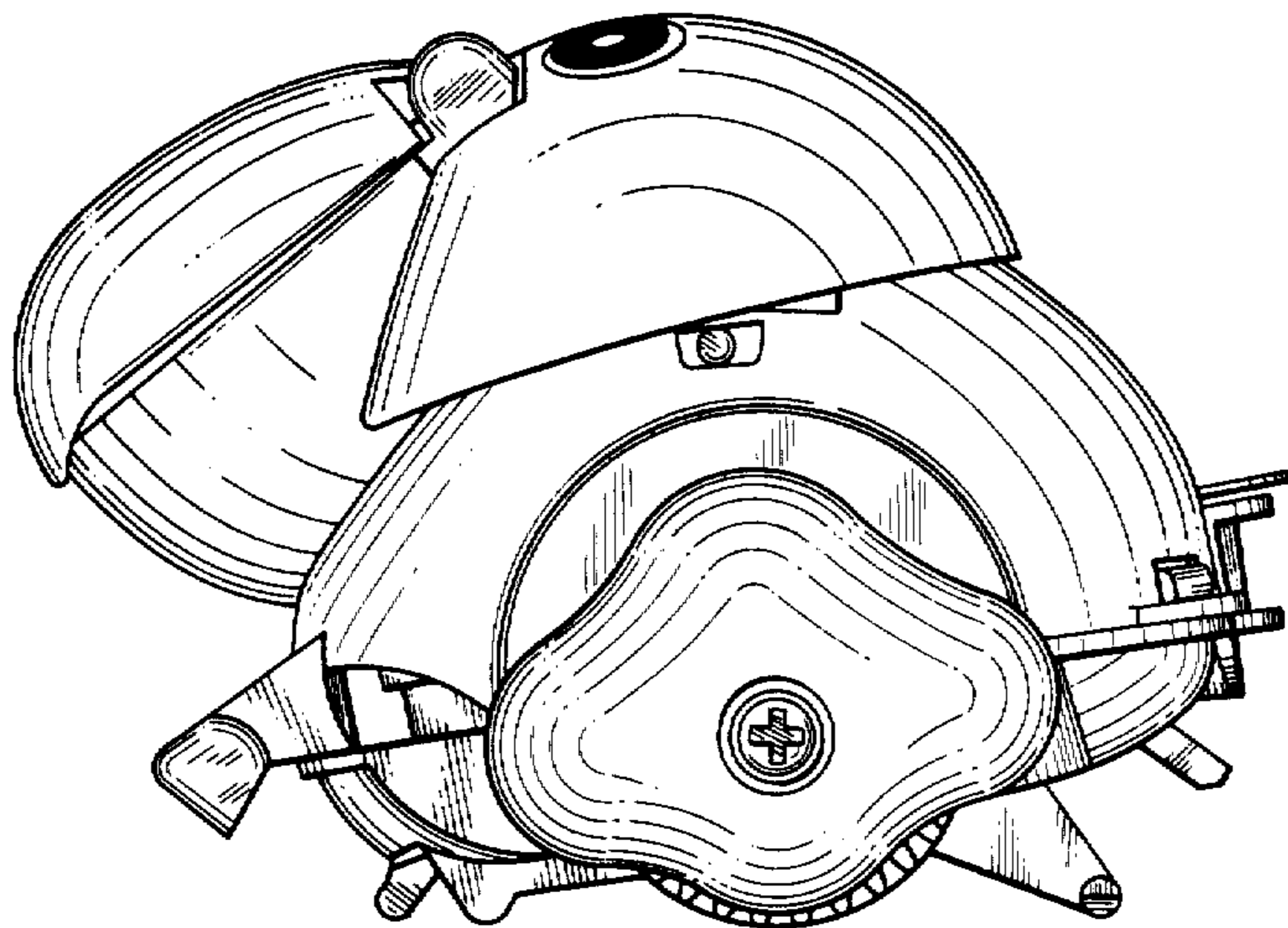


FIG. 9

