

[54] ACOUSTICAL HOOD ASSEMBLY FOR A PRINTER APPARATUS

[75] Inventor: Wayne C. Cathey, Bedford, Tex.

[73] Assignee: Xerox Corporation, Stamford, Conn.

[\*\*] Term: 14 Years

[21] Appl. No.: 58,961

[22] Filed: Jul. 20, 1979

[51] Int. Cl. .... D18-02

[52] U.S. Cl. .... D18/22; D14/114

[58] Field of Search .... D14/40-47, D14/50, 93; D13/40, 41; D18/11, 13, 22

[56] References Cited

U.S. PATENT DOCUMENTS

- D. 227,707 7/1973 Cargill ..... D14/93
- D. 228,030 7/1973 Howard ..... D18/13

Primary Examiner—Leland A. Sebastian

[57] CLAIM

The ornamental design for an acoustical hood assembly for a printer apparatus, substantially as shown and described.

DESCRIPTION

FIG. 1 is a front perspective view of an acoustical hood assembly for a printer apparatus showing my new design;

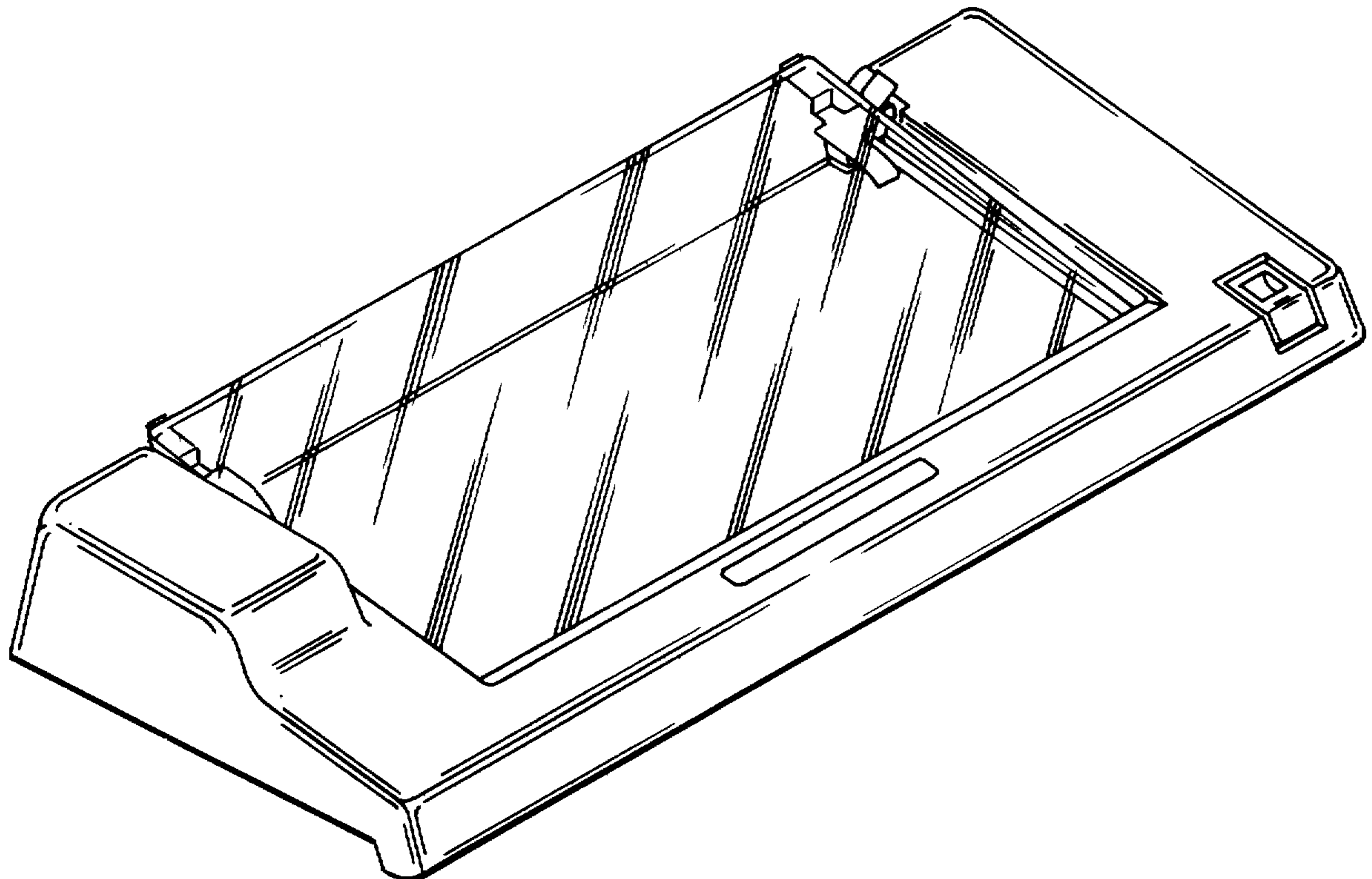
FIG. 2 is a top plan view thereof;

FIG. 3 is a front elevational view thereof;

FIG. 4 is a rear elevational view thereof;

FIG. 5 is a left side elevational view thereof; and

FIG. 6 is a right side elevational view thereof.



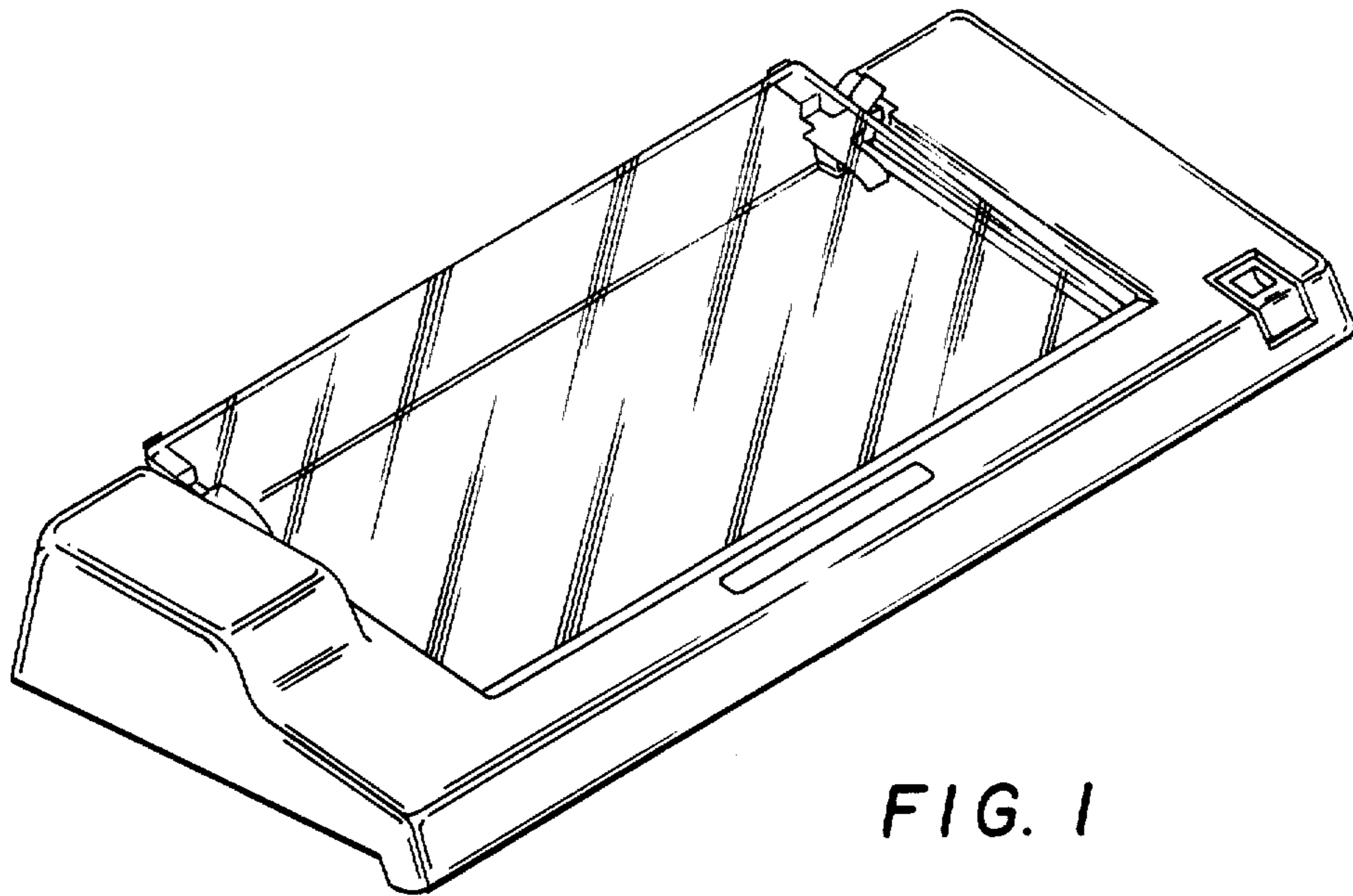


FIG. 1

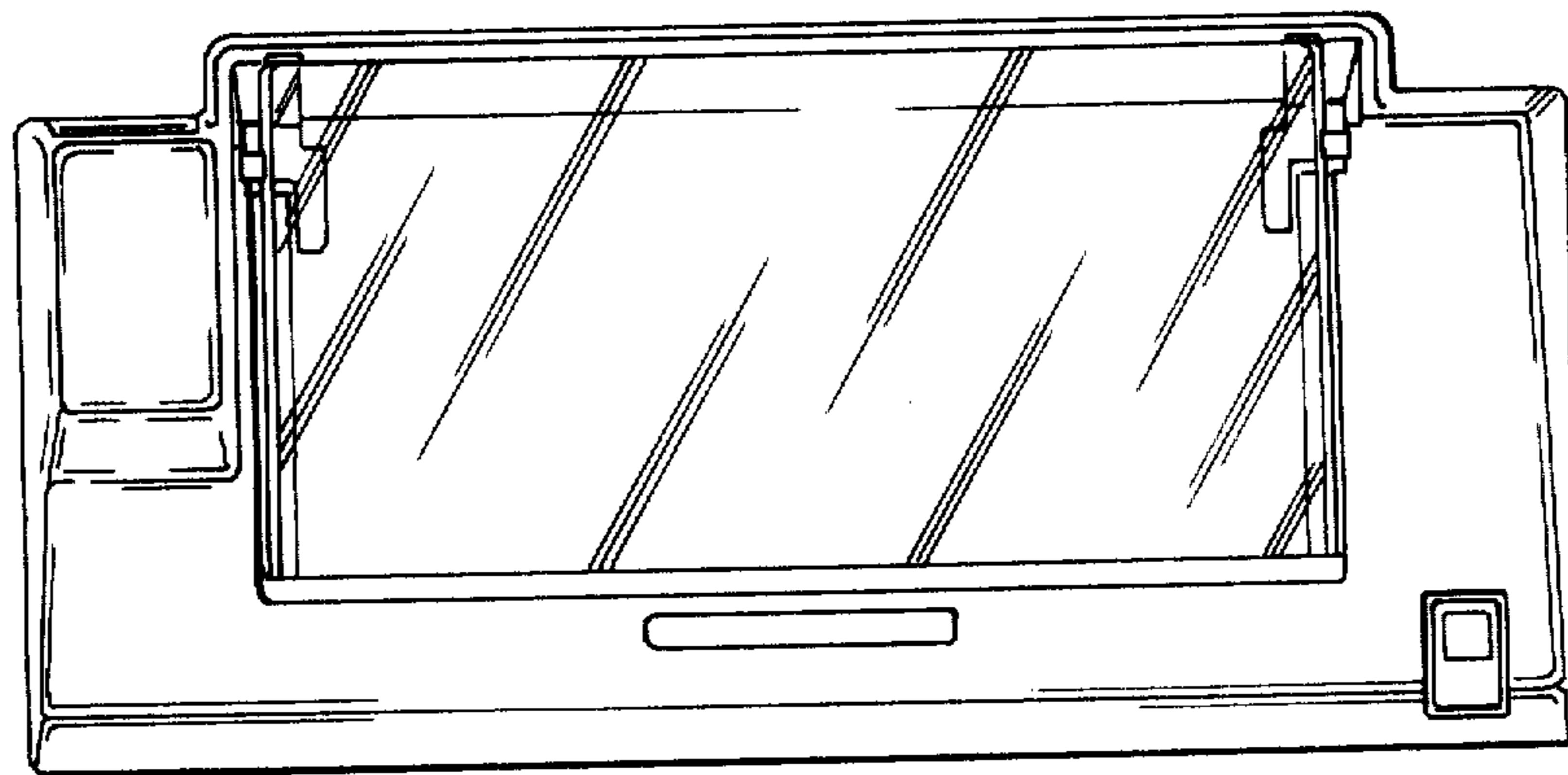
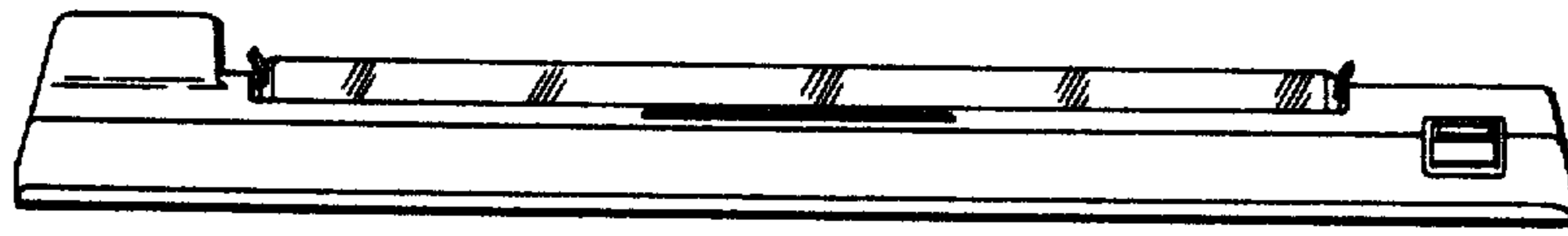
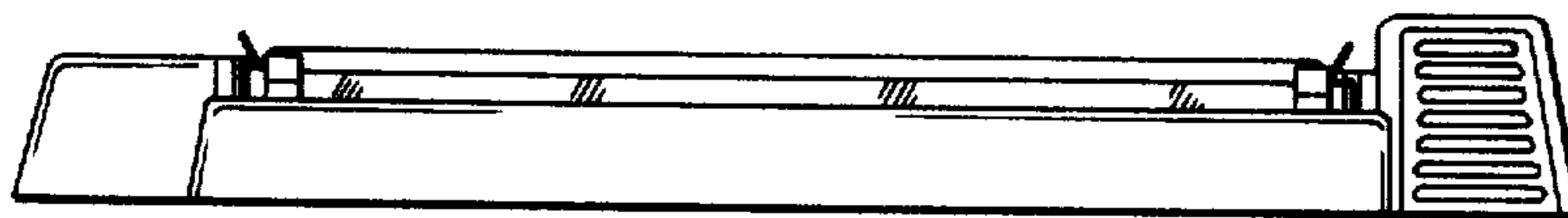


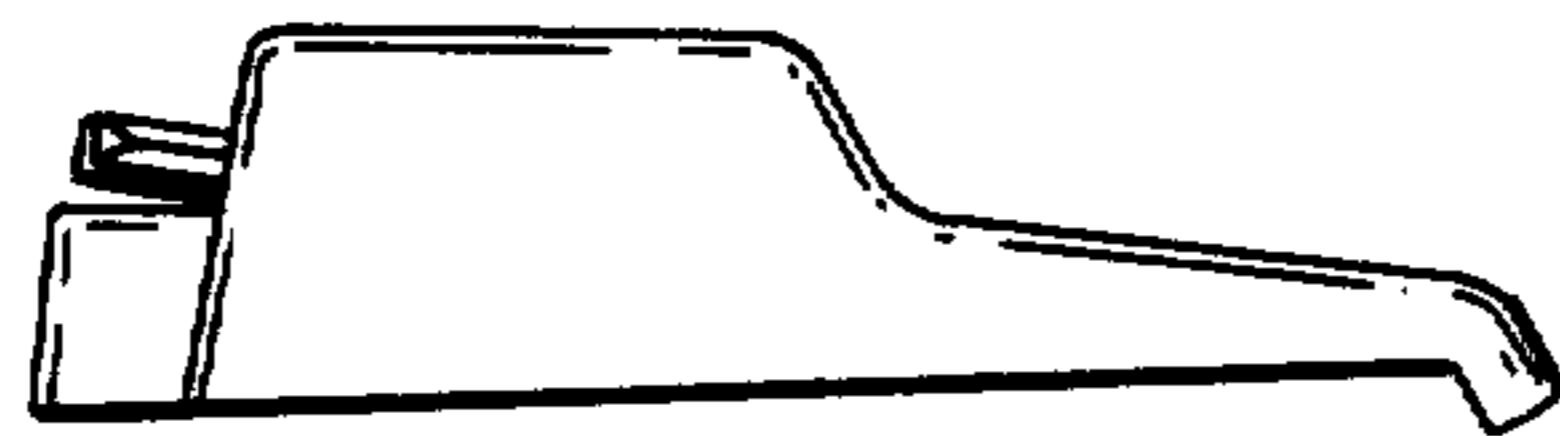
FIG. 2



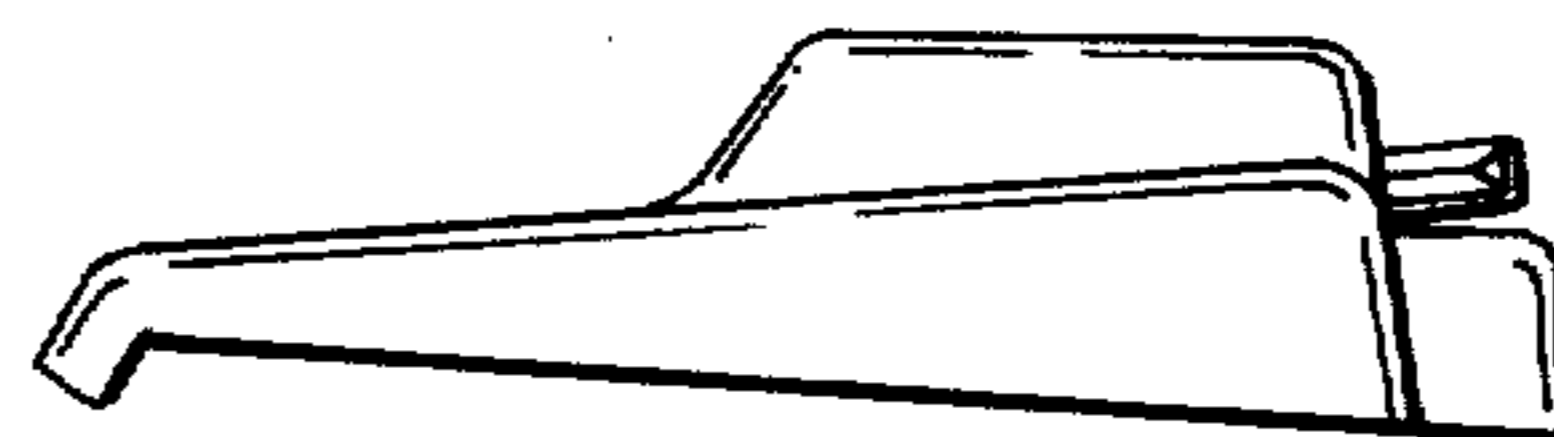
*FIG. 3*



*FIG. 4*



*FIG. 5*



*FIG. 6*