

- [54] **PRINTING BED ASSEMBLY FOR IMPRINTING MACHINES**
- [75] Inventor: **William P. Barbour**, Mount Prospect, Ill.
- [73] Assignee: **Security Imprinter Corporation**, Walkersville, Md.
- [\*\*] Term: **14 Years**
- [21] Appl. No.: **114,058**
- [22] Filed: **Jan. 16, 1980**
- [51] Int. Cl. .... **D18-02**
- [52] U.S. Cl. .... **D18/14**
- [58] Field of Search ..... **D18/13, 14, 22, 23; D14/50; 101/269, 56, 45**

3,421,436 1/1969 Patterson, Jr. et al. .... D18/13  
 3,707,911 1/1972 Patterson, Jr. .... D18/22

*Primary Examiner*—Robert C. Spangler  
*Attorney, Agent, or Firm*—Mason, Fenwick & Lawrence

[57] **CLAIM**

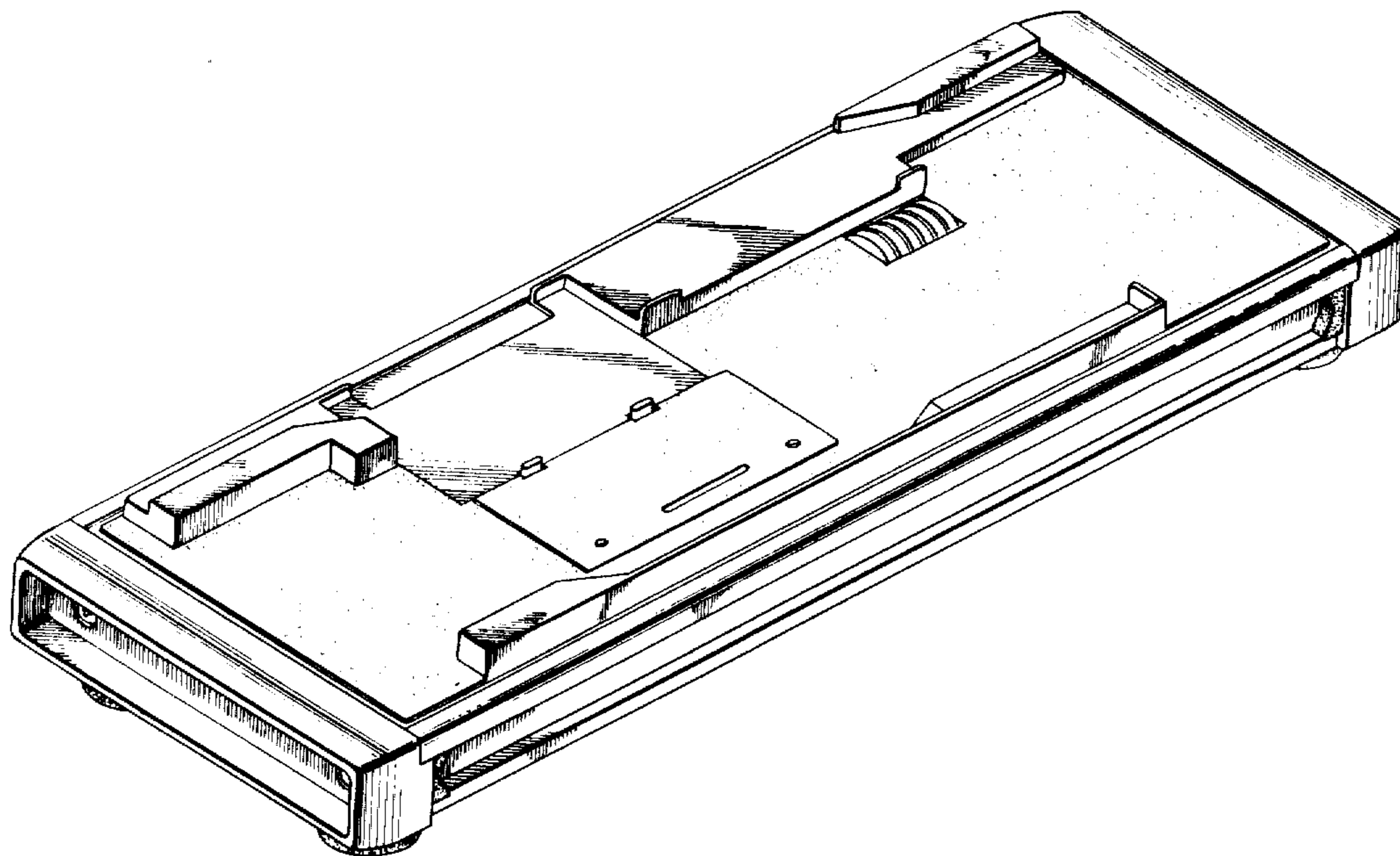
The ornamental design for a printing bed assembly for imprinting machines, substantially as shown and described.

**DESCRIPTION**

FIG. 1 is a front perspective view, viewed from above, of a printing bed assembly for imprinting machines, embodying my new design;  
 FIG. 2 is a top plan view thereof;  
 FIG. 3 is a side elevation thereof viewed from below FIG. 2, the opposite side elevation being the mirror image thereof;  
 FIG. 4 is an end elevation view thereof, viewed from the left of FIG. 2, the opposite end elevation being the mirror image thereof;  
 FIG. 5 is a front perspective view, viewed from below, of the printing bed assembly; and  
 FIG. 6 is a bottom view thereof.

[56] **References Cited**  
**U.S. PATENT DOCUMENTS**

D. 191,332	9/1961	Maul et al. ....	D18/14
D. 216,651	2/1970	Barbour .....	D18/14
D. 217,398	4/1970	Barbour .....	D18/14
D. 218,991	10/1970	Allport .....	D18/14
D. 246,870	1/1978	Kalb .....	D18/14



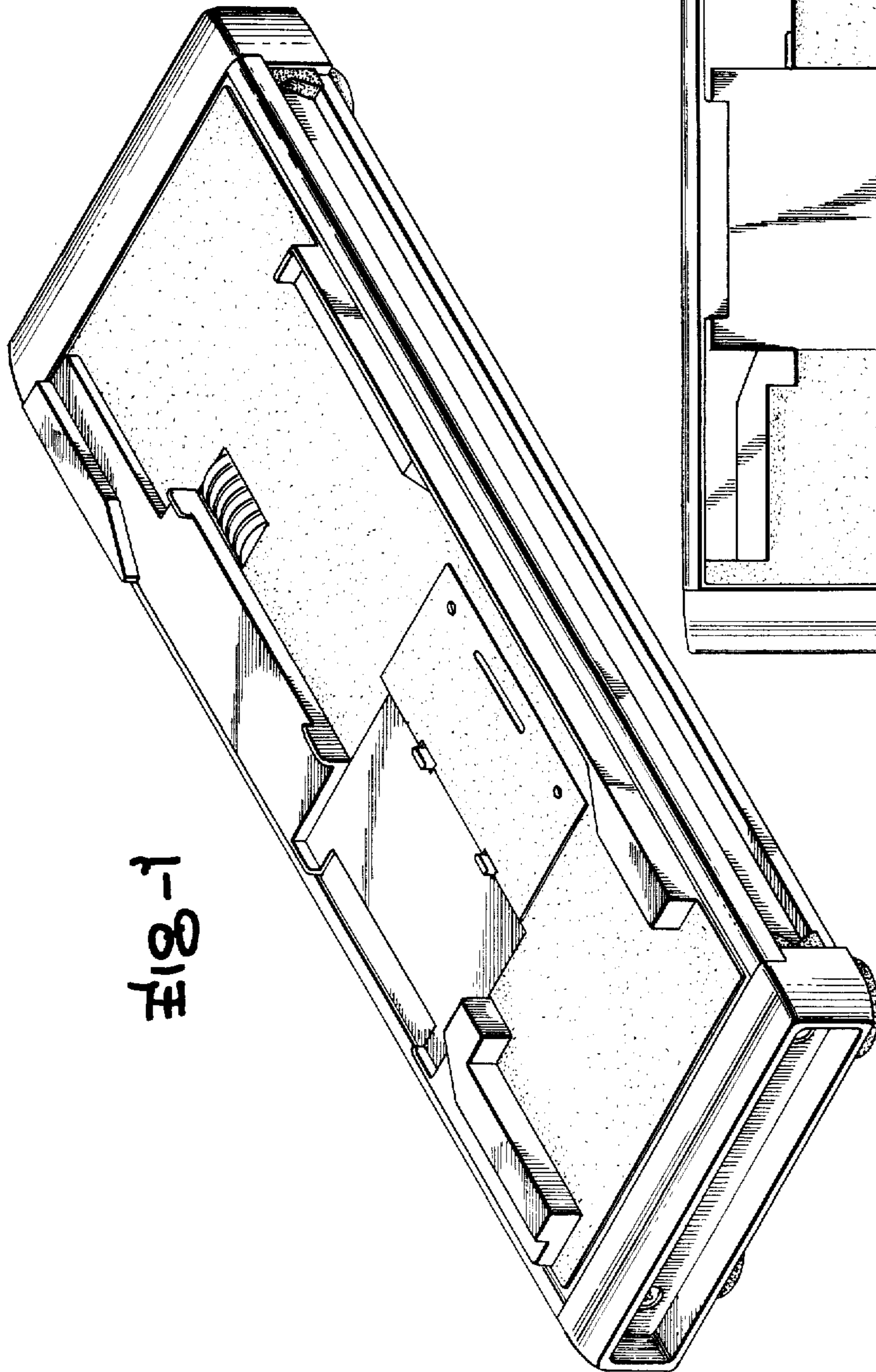


Fig. 2

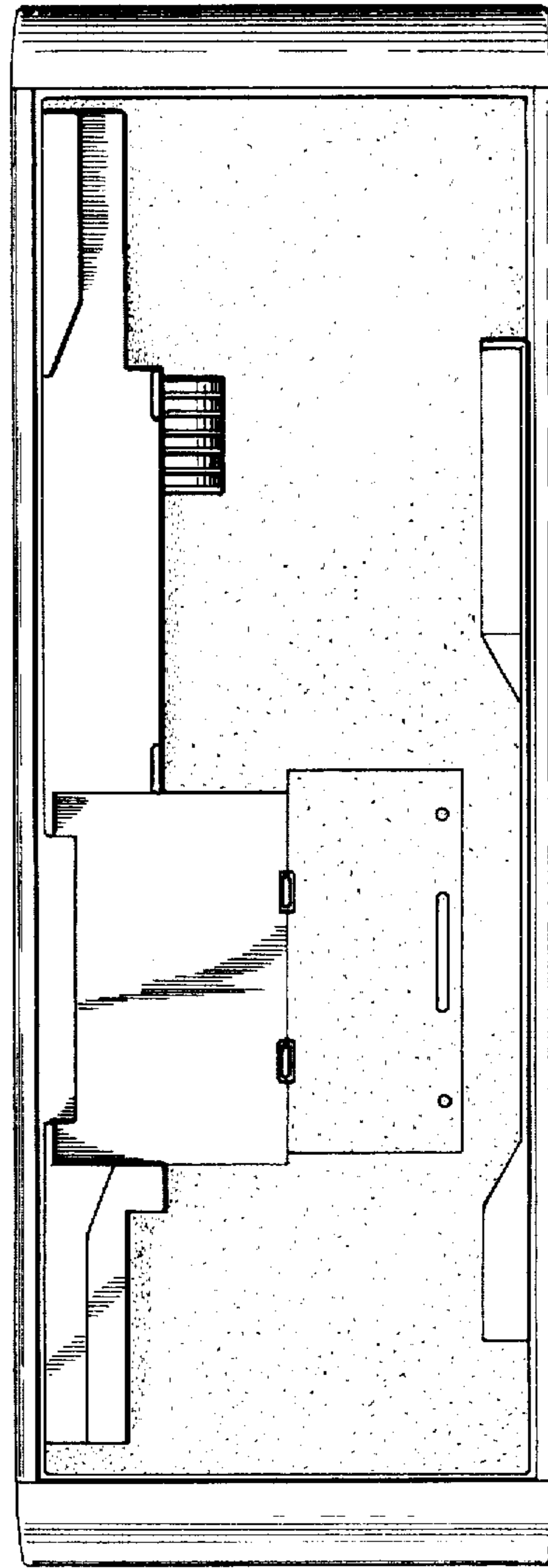


Fig. 3

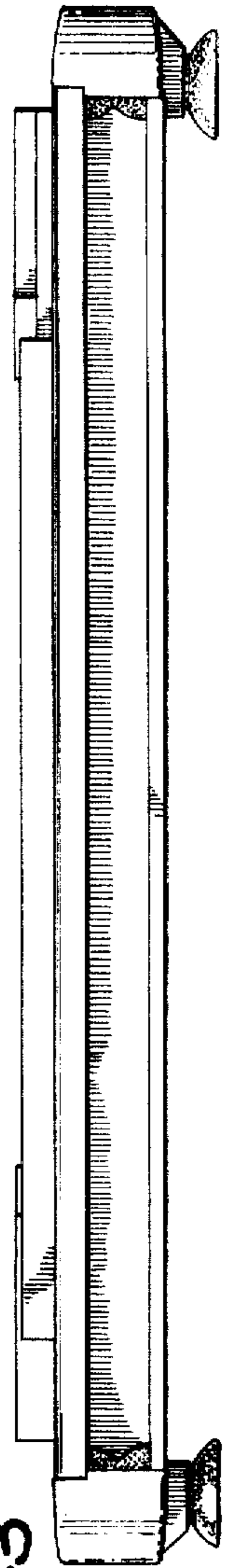
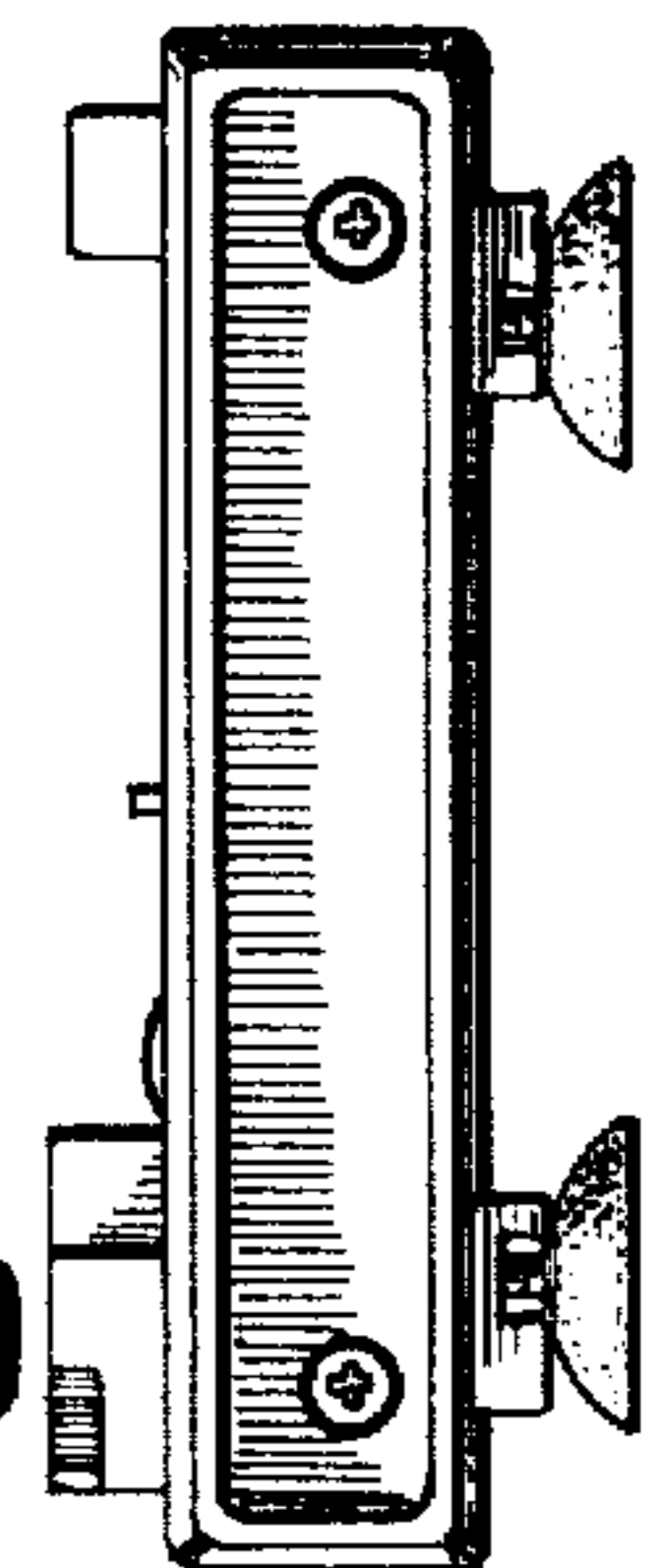


Fig. 4





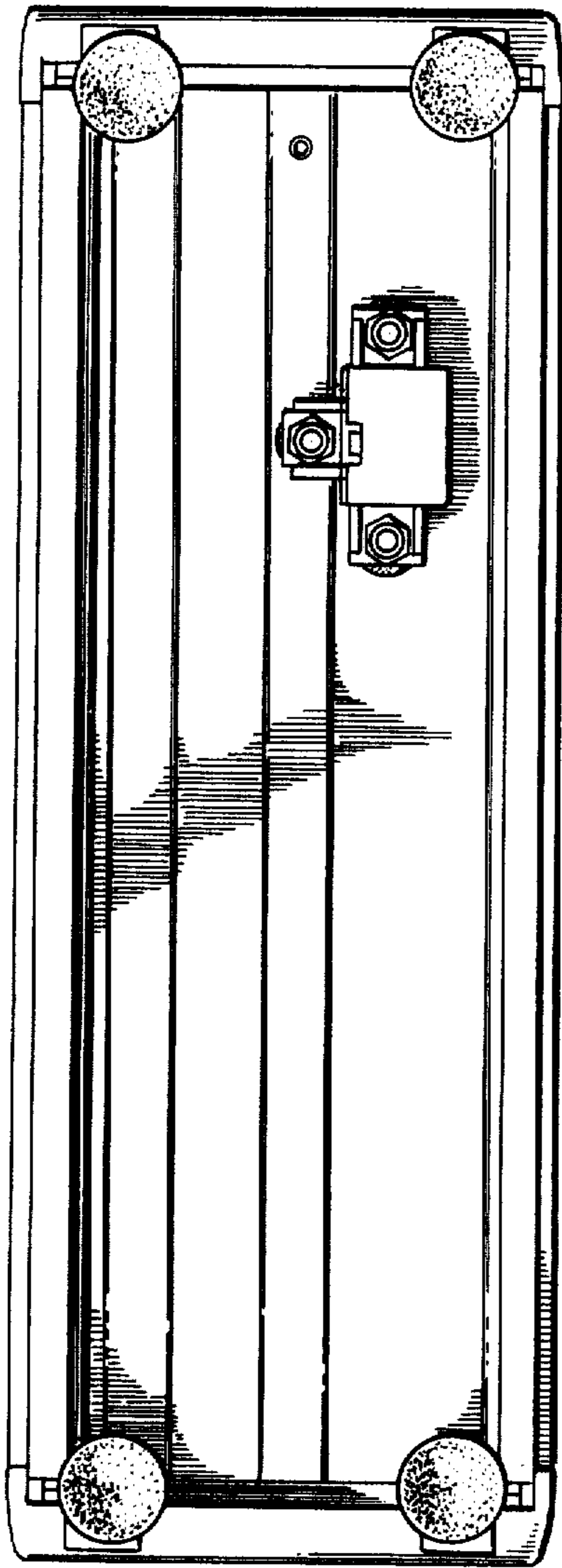


Fig. 6

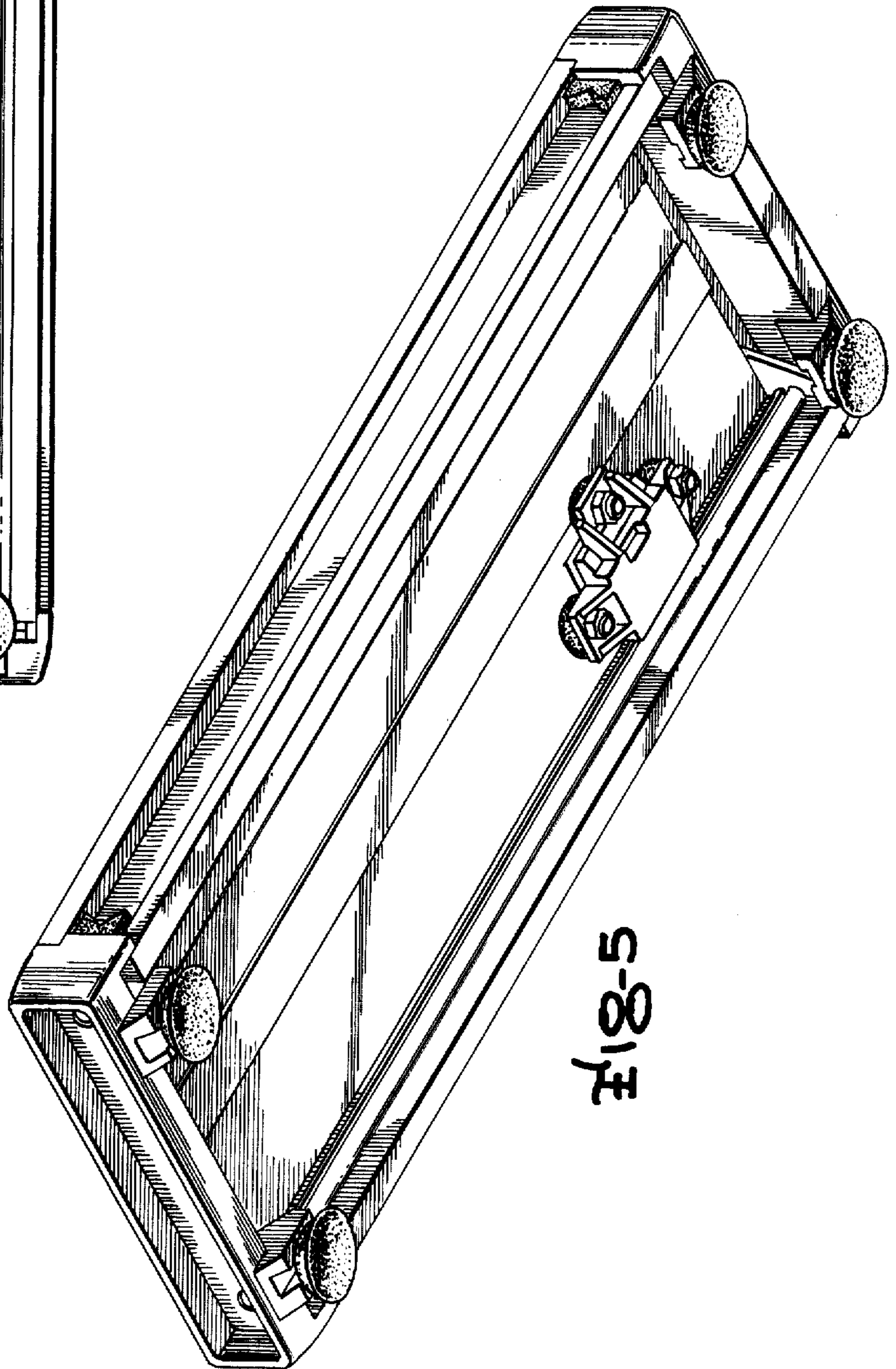


Fig. 5