

[54] HANDLE AND CAP ASSEMBLY FOR THE PRINT HEAD OF IMPRINTING MACHINES

D. 217,398 4/1970 Barbour ..... D18/14  
D. 218,991 10/1970 Allport ..... D18/14

[75] Inventor: William P. Barbour, Mount Prospect, Ill.

Primary Examiner—Robert C. Spangler  
Attorney, Agent, or Firm—Mason, Fenwick & Lawrence

[73] Assignee: Security Imprinter Corporation, Walkersville, Md.

[57] CLAIM

[\*\*] Term: 14 Years

The ornamental design for a handle and cap assembly for the print head of imprinting machines, substantially as shown and described.

[21] Appl. No.: 114,057

DESCRIPTION

[22] Filed: Jan. 16, 1980

[51] Int. Cl. .... D18-02

[52] U.S. Cl. .... D18/14

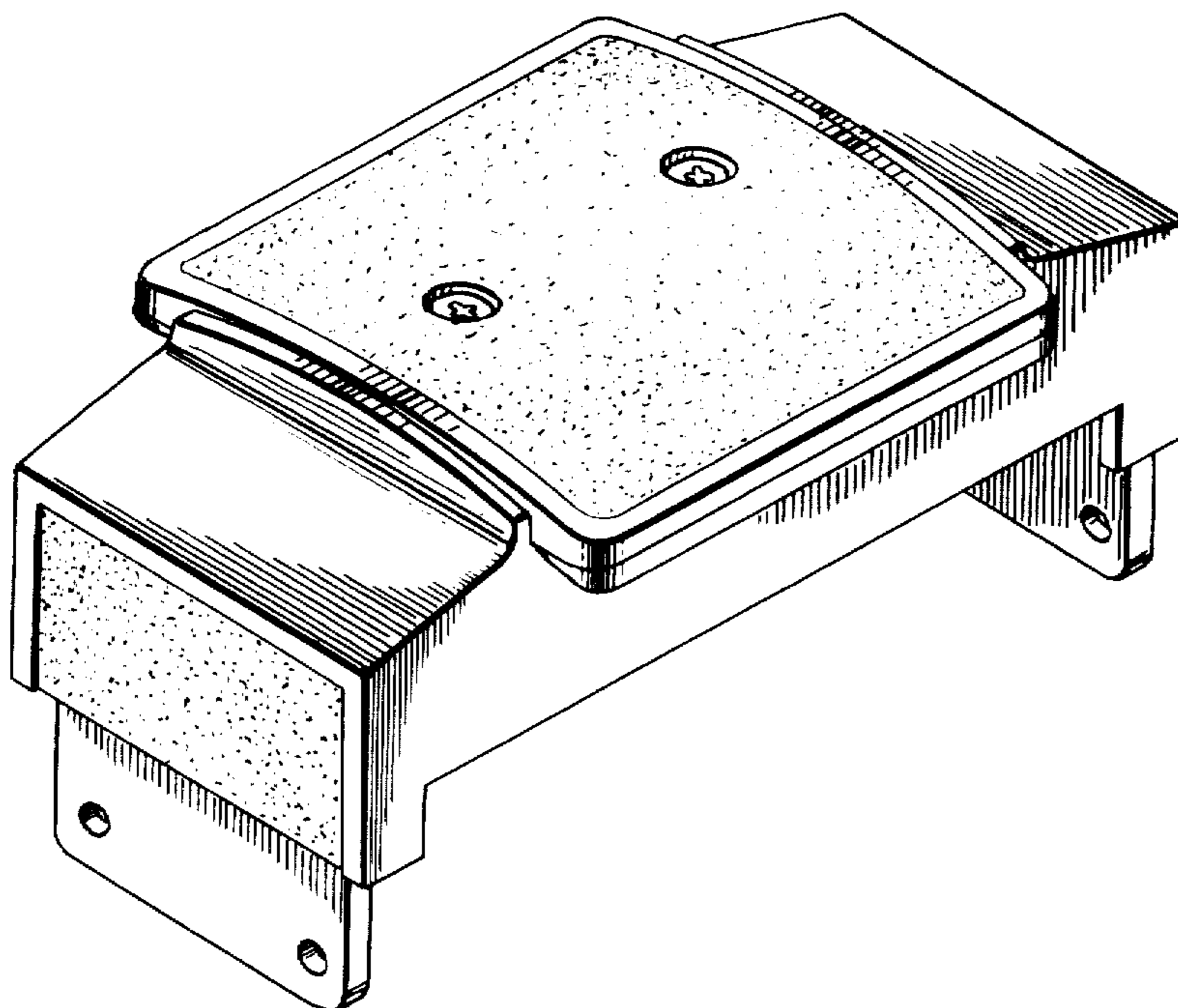
[58] Field of Search ..... D18/13, 14, 22, 23;  
D14/50; 101/269, 56, 45

FIG. 1 is a perspective view of a handle and cap assembly for the print head of imprinting machines, embodying my new design;  
FIG. 2 is a top plan view thereof;  
FIG. 3 is a side elevation view thereof, viewed from below FIG. 2, the opposite side elevation being the mirror image thereof;  
FIG. 4 is an end elevation view thereof, viewed from the left of FIG. 2, the opposite end elevation being the mirror image thereof; and  
FIG. 5 is a bottom view thereof.

[56] References Cited

U.S. PATENT DOCUMENTS

D. 191,332 9/1961 Maul et al. .... D18/14  
D. 216,651 2/1970 Barbour ..... D18/14



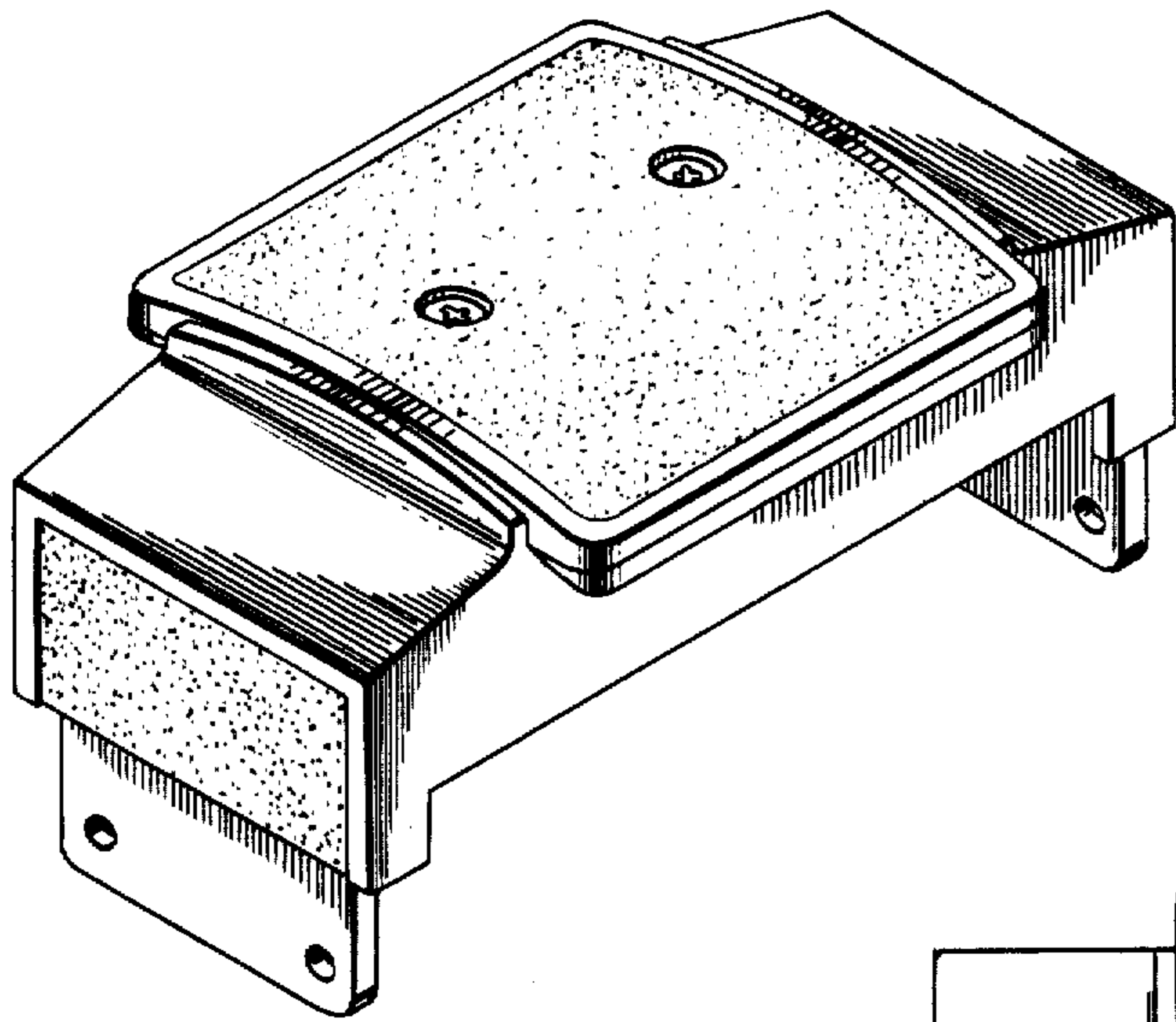


Fig-1

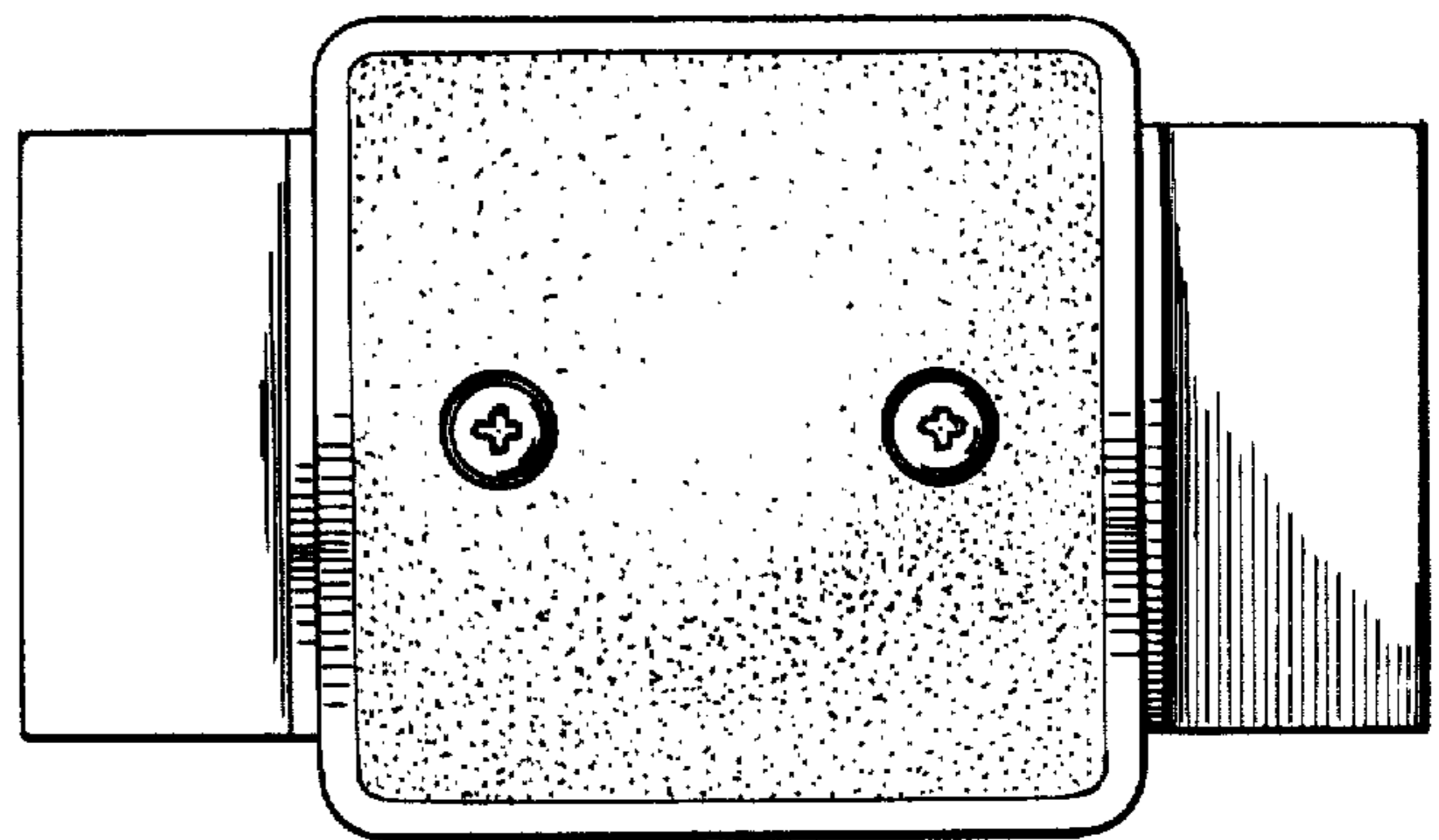


Fig-2

Fig-4

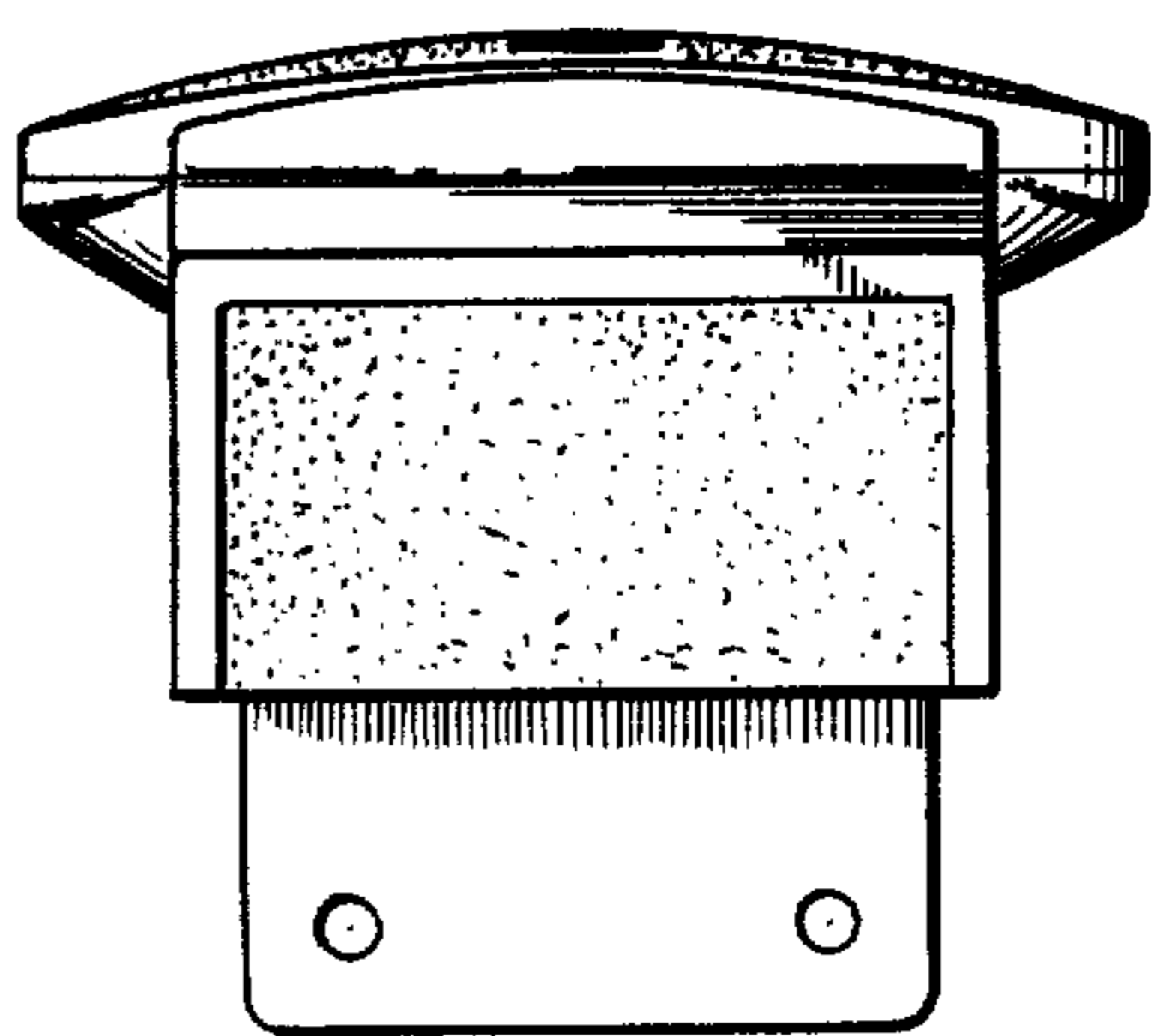


Fig-3

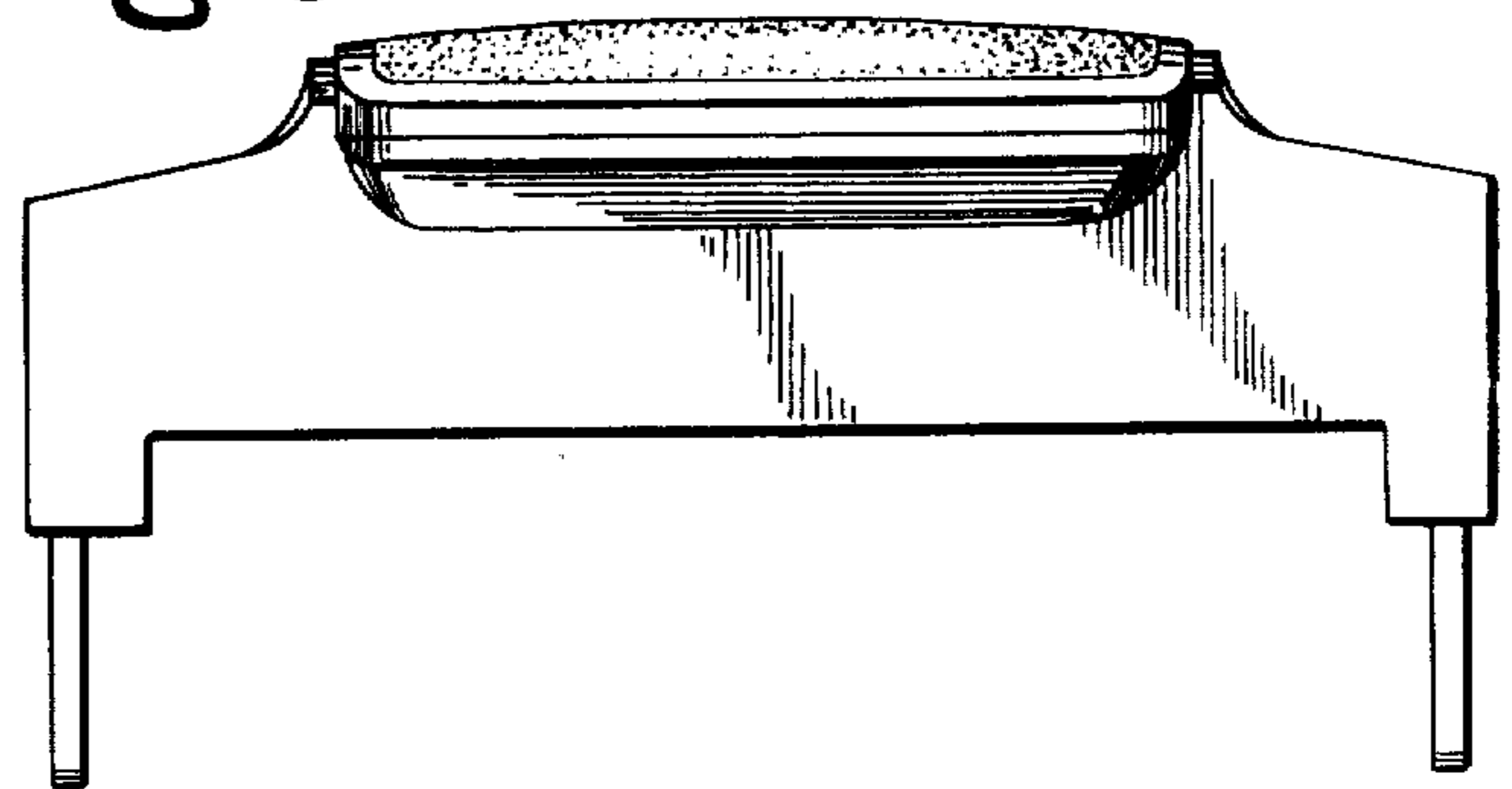


Fig-5

