

[54] COMBINED COPYING AND SORTING APPARATUS

[75] Inventor: Frederick J. Lawrence, Tustin, Calif.

[73] Assignee: Gradco/Dendoki, Inc., Newport Beach, Calif.

[\*\*] Term: 14 Years

[21] Appl. No.: 98,538

[22] Filed: Nov. 29, 1979

[51] Int. Cl. .... D16-03

[52] U.S. Cl. .... D16/32

[58] Field of Search ..... D16/27-32; D14/48; 355/3 R, 8, 9; 271/287-297

[56] References Cited

U.S. PATENT DOCUMENTS

D. 254,975 5/1980 Gambrell et al. .... D16/32  
4,134,581 1/1979 Johnson et al. .... 271/288

OTHER PUBLICATIONS

Datapro Research Corporation, Jan. 1978, Model 3M Secretary III.

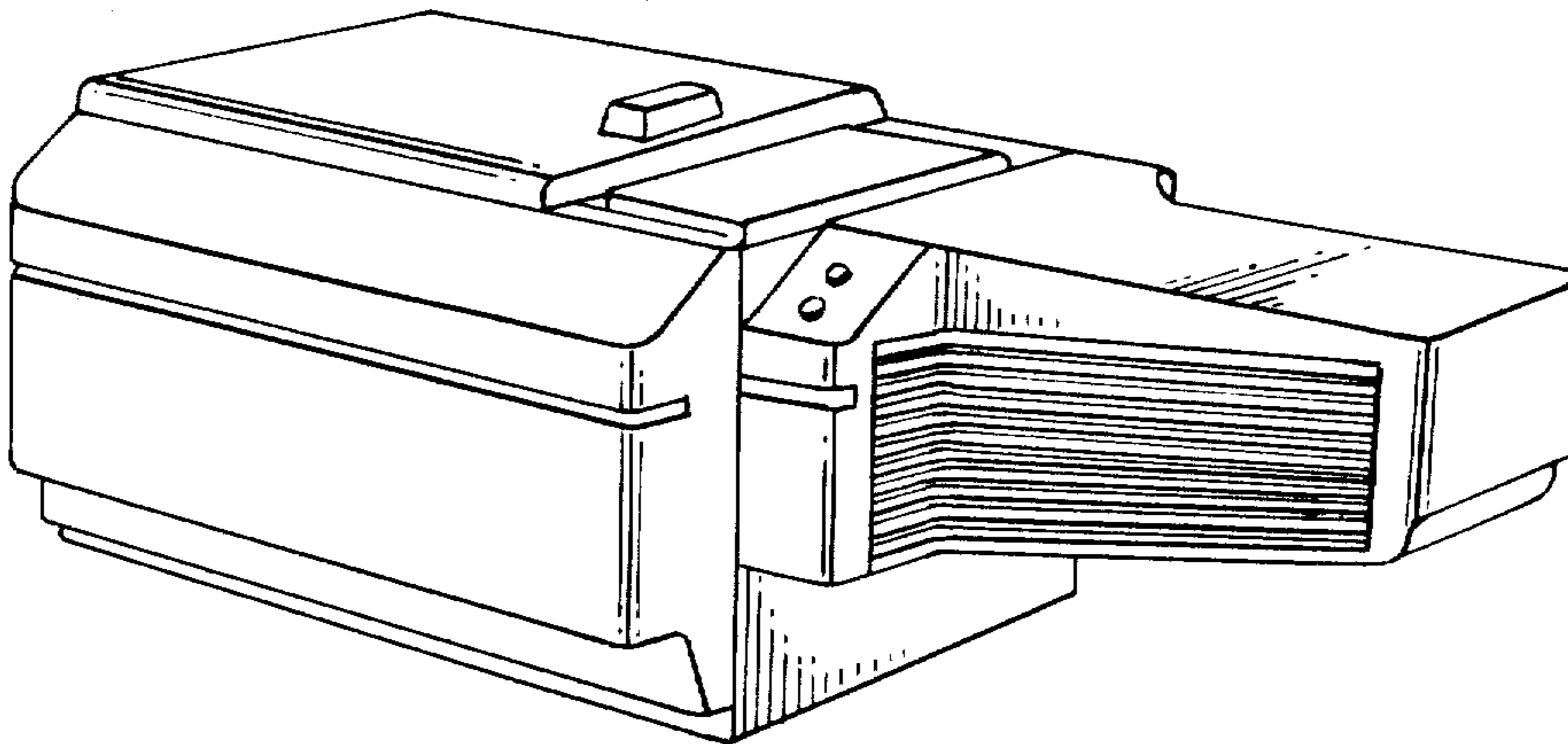
Primary Examiner—Peter M. Caun  
Attorney, Agent, or Firm—Newton H. Lee, Jr.

[57] CLAIM

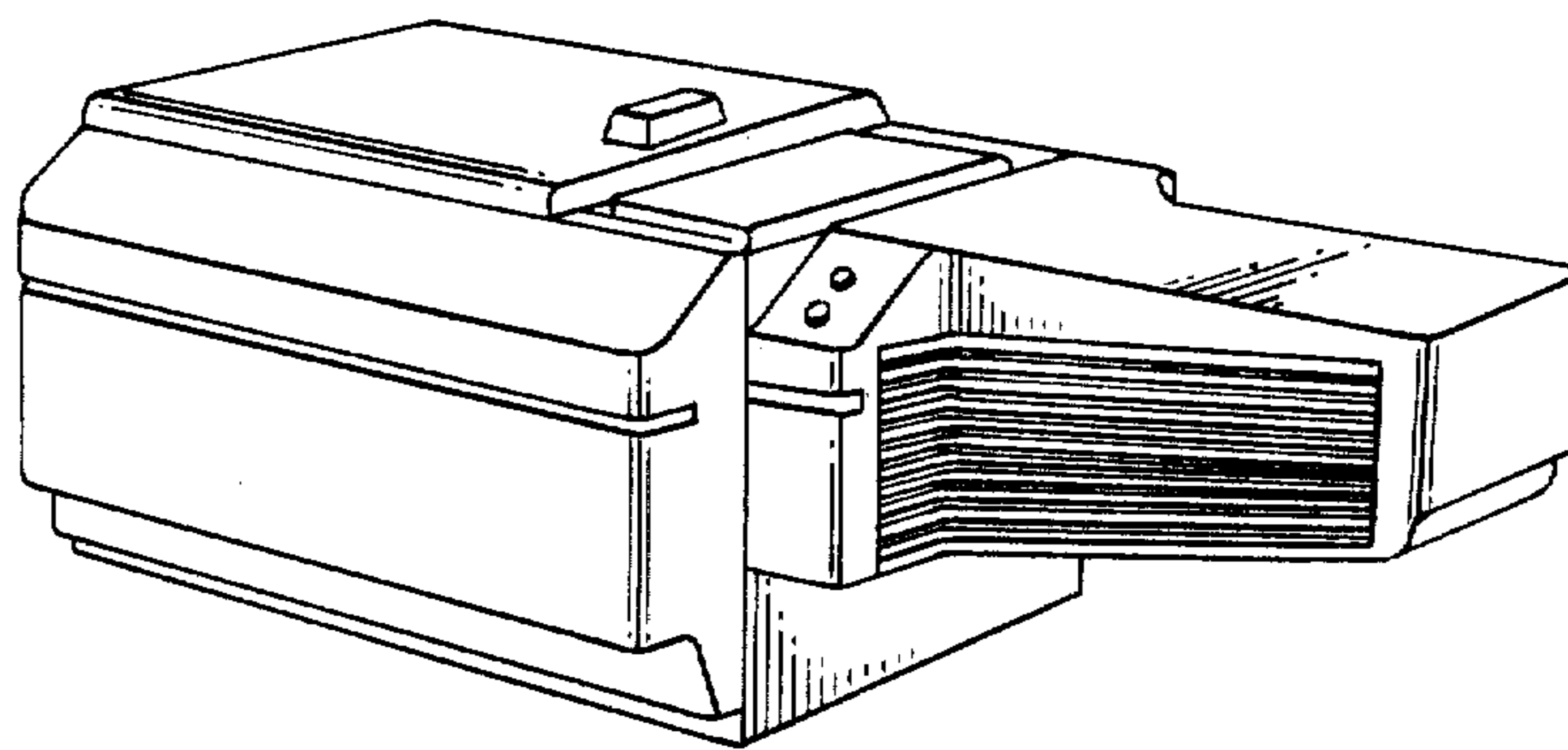
The ornamental design for a combined copying and sorting apparatus, substantially as shown.

DESCRIPTION

FIG. 1 is a perspective view of a combined copying and sorting apparatus showing my new design; FIG. 2 is an opposite view thereof.



*FIG. 1.*



*FIG. 2.*

