

[54] WOOD SPLITTER

4,164,965 8/1979 Bodart ..... 144/193 A

[76] Inventor: Robert H. Green, 16967 Bowling Green, West, Bowling Green, Ohio 43402

[\*\*] Term: 14 Years

[21] Appl. No.: 861,443

[22] Filed: Dec. 16, 1977

[51] Int. Cl. .... D15-09

[52] U.S. Cl. .... D15/127

[58] Field of Search ..... D15/127, 133; 144/193 R, 193 A, 193 D, 193 E, 193 H

[56] References Cited

U.S. PATENT DOCUMENTS

3,077,214	2/1963	Brukner	144/193 A
3,242,955	3/1966	Hellstrom	144/193 A
3,640,323	2/1972	Helle	144/193 A
4,076,062	2/1978	Kanik	144/193 A

OTHER PUBLICATIONS

Wood Burning Quarterly & Home Energy Digest, Winter, 1977, p. 117, relying on "7-Ton Log Splitter".

Primary Examiner—W. Stallard

Attorney, Agent, or Firm—Emch, Schaffer, Schaub & Todd

[57] CLAIM

An ornamental design for a wood splitter, substantially as shown and described.

DESCRIPTION

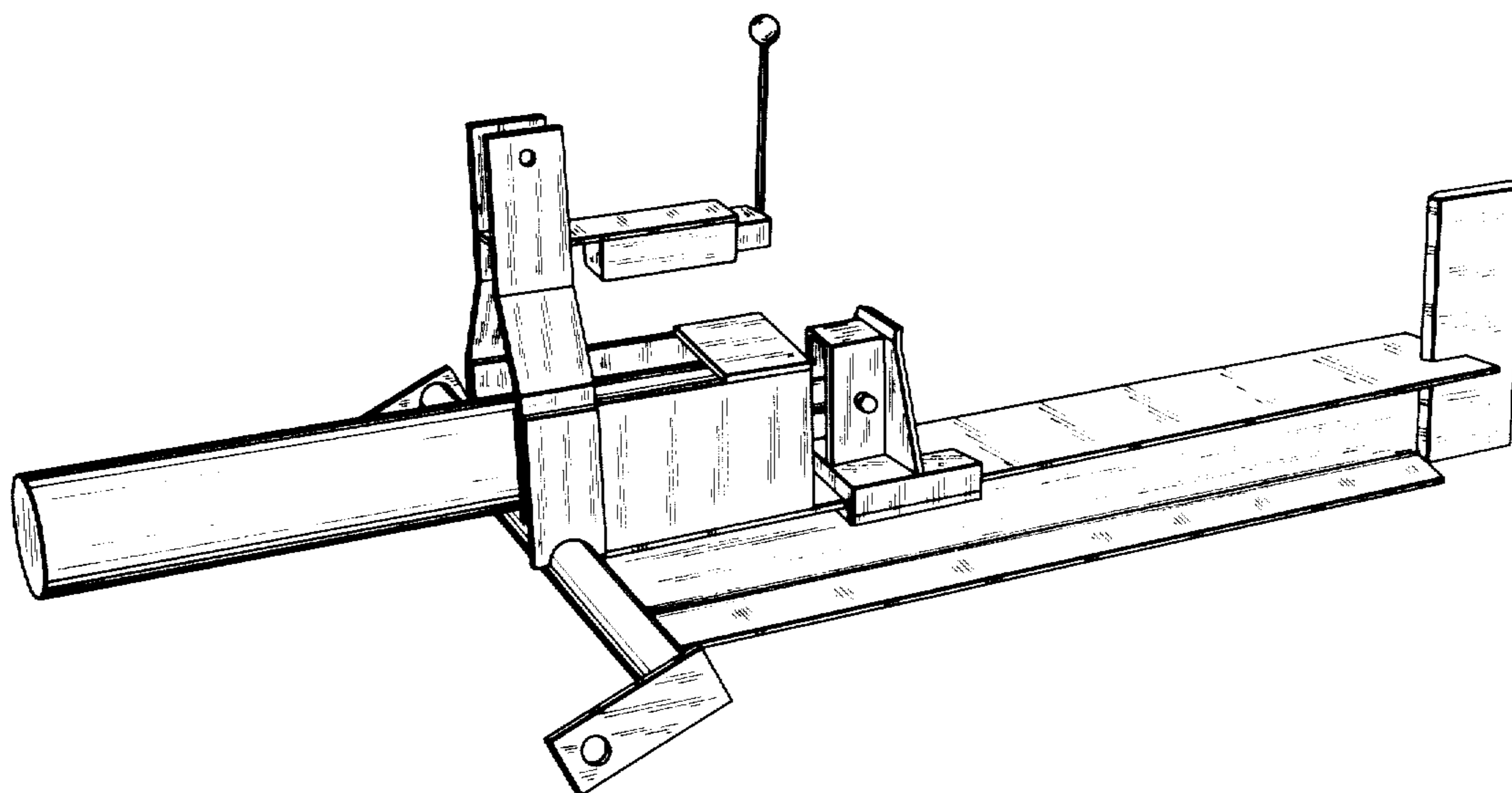
FIG. 1 is a perspective view of the wood splitter embodying our new design.

FIG. 2 is a side elevation view thereof.

FIG. 3 is an end elevation view of the right end of the wood splitter shown in FIG. 2.

FIG. 4 is an end elevation view of the left end of the wood splitter shown in FIG. 2.

FIG. 5 is a plan view thereof.



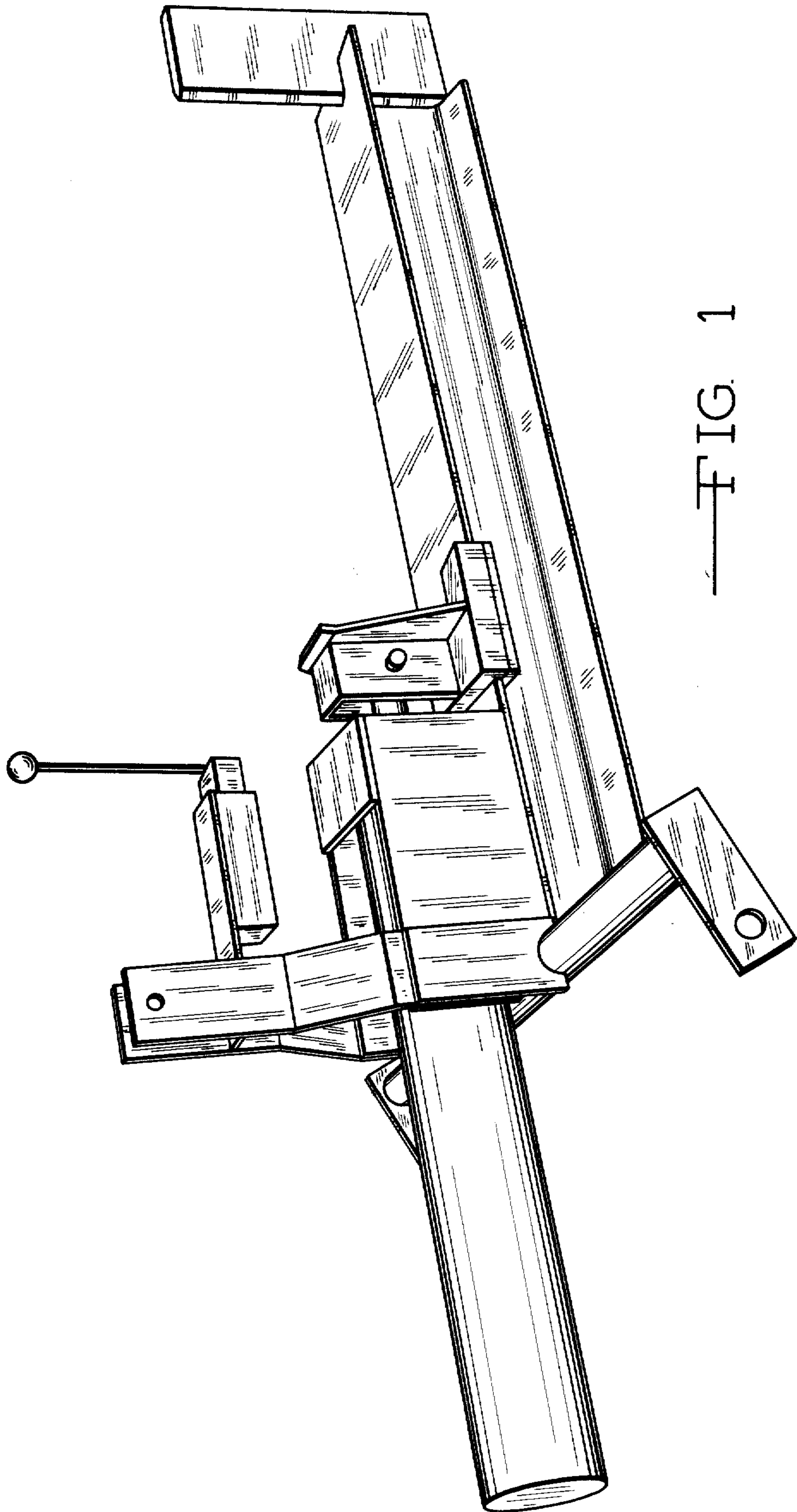
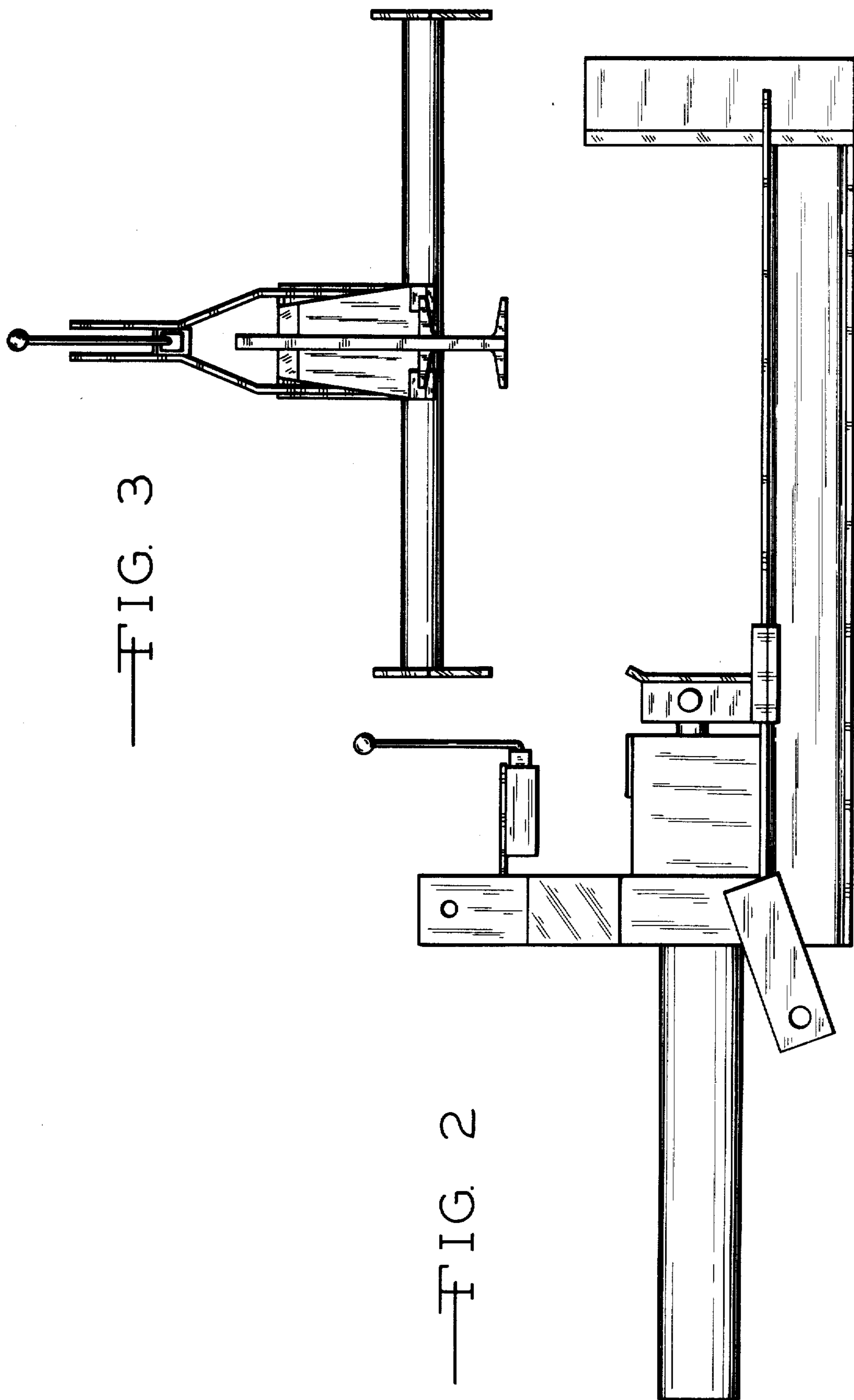
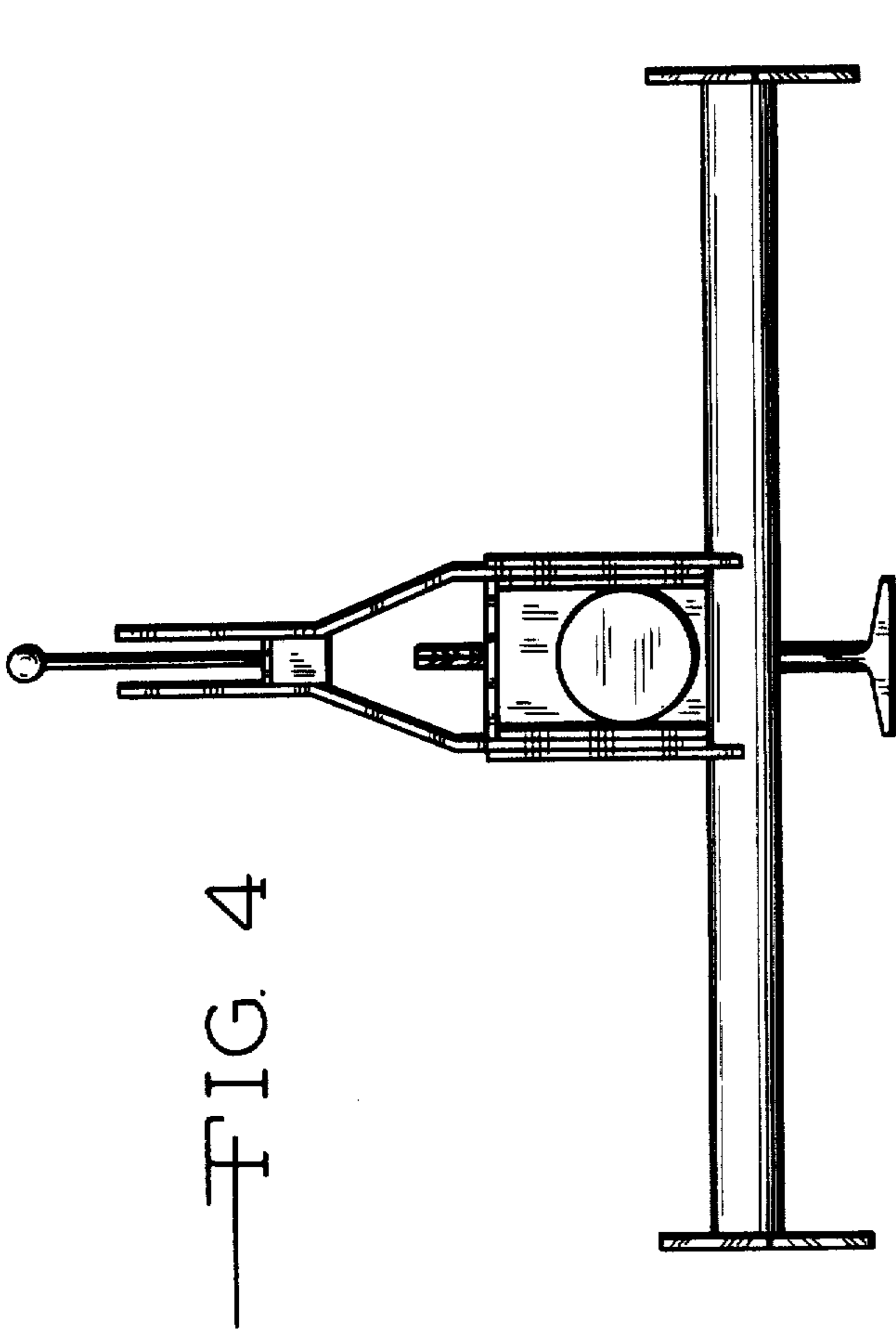


FIG. 1

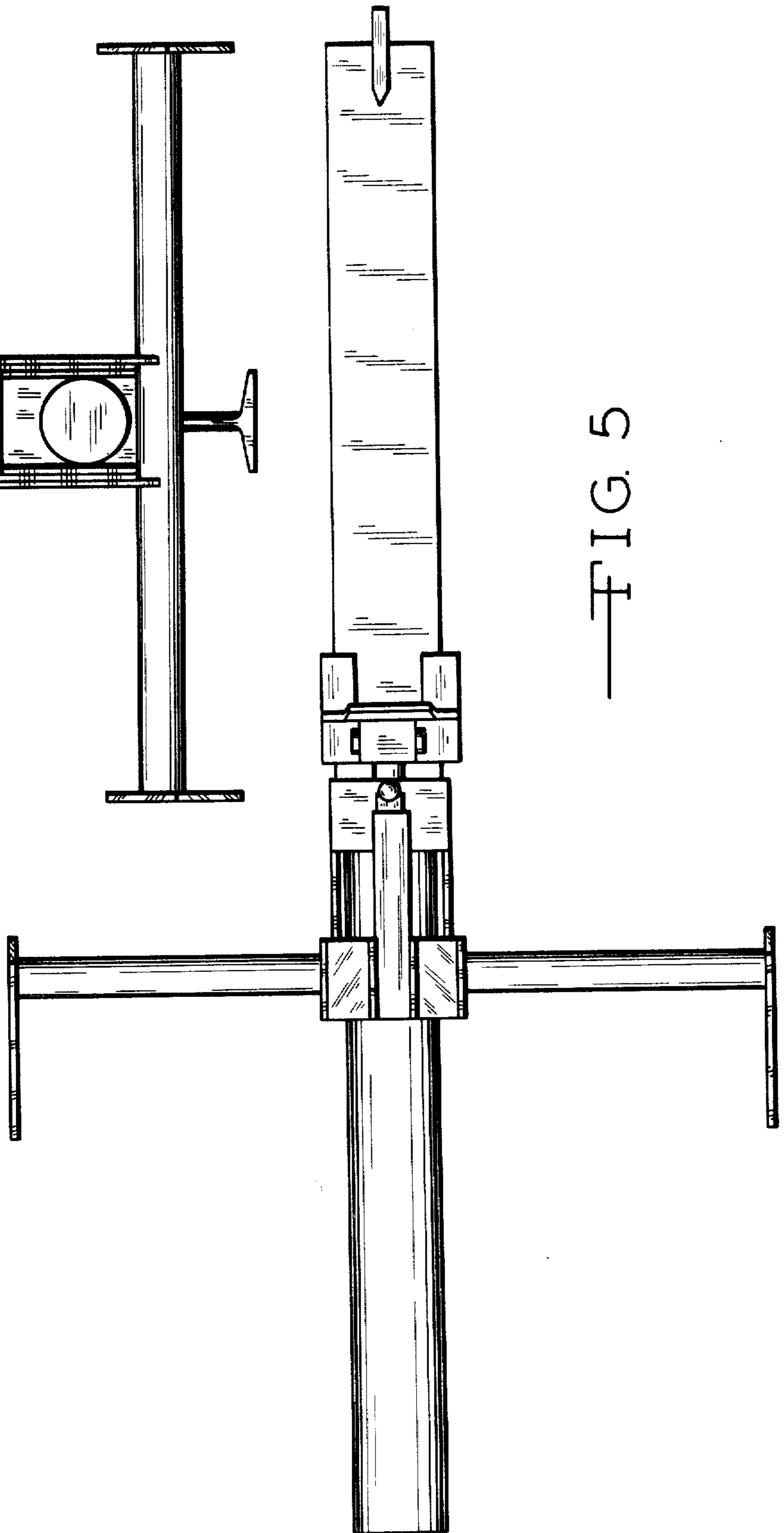


—FIG. 3

—FIG. 2



—FIG. 4



—FIG. 5