

[54] FOOD DEHYDRATOR

[75] Inventors: Chad S. Erickson, Minneapolis; W. Robert Worrell, Hopkins, both of Minn.

[73] Assignee: Alternative Pioneering Systems, Inc., Minneapolis, Minn.

[**] Term: 14 Years

[21] Appl. No.: 3,472

[22] Filed: Jan. 15, 1979

[51] Int. Cl. D15-08

[52] U.S. Cl. D15/110

[58] Field of Search 34/192, 195, 196, 197, 34/211, 225, 237, 238; 219/386, 400; 99/467, 483; D15/92, 104, 108, 109, 110

[56] References Cited

U.S. PATENT DOCUMENTS

D. 252,397 7/1979 Cousins et al. D15/110

OTHER PUBLICATIONS

Thomas Register-1974-p. 2669-Wyssmont Turbo Dryer.

SIGG dorrex Food Dryer flyer.

Primary Examiner-Catherine E. Kemper
Attorney, Agent, or Firm-Merchant, Gould, Smith, Edell, Welter & Schmidt

[57] CLAIM

The ornamental design for a food dehydrator, substantially as shown and described.

DESCRIPTION

FIG. 1 is a perspective view of a food dehydrator showing our new design;

FIG. 2 is a top view thereof;

FIG. 3 is a bottom view thereof;

FIG. 4 is a front view thereof;

FIG. 5 is a rear view thereof; and

FIG. 6 is a left side view, the right side view being a mirror image of the left side view.

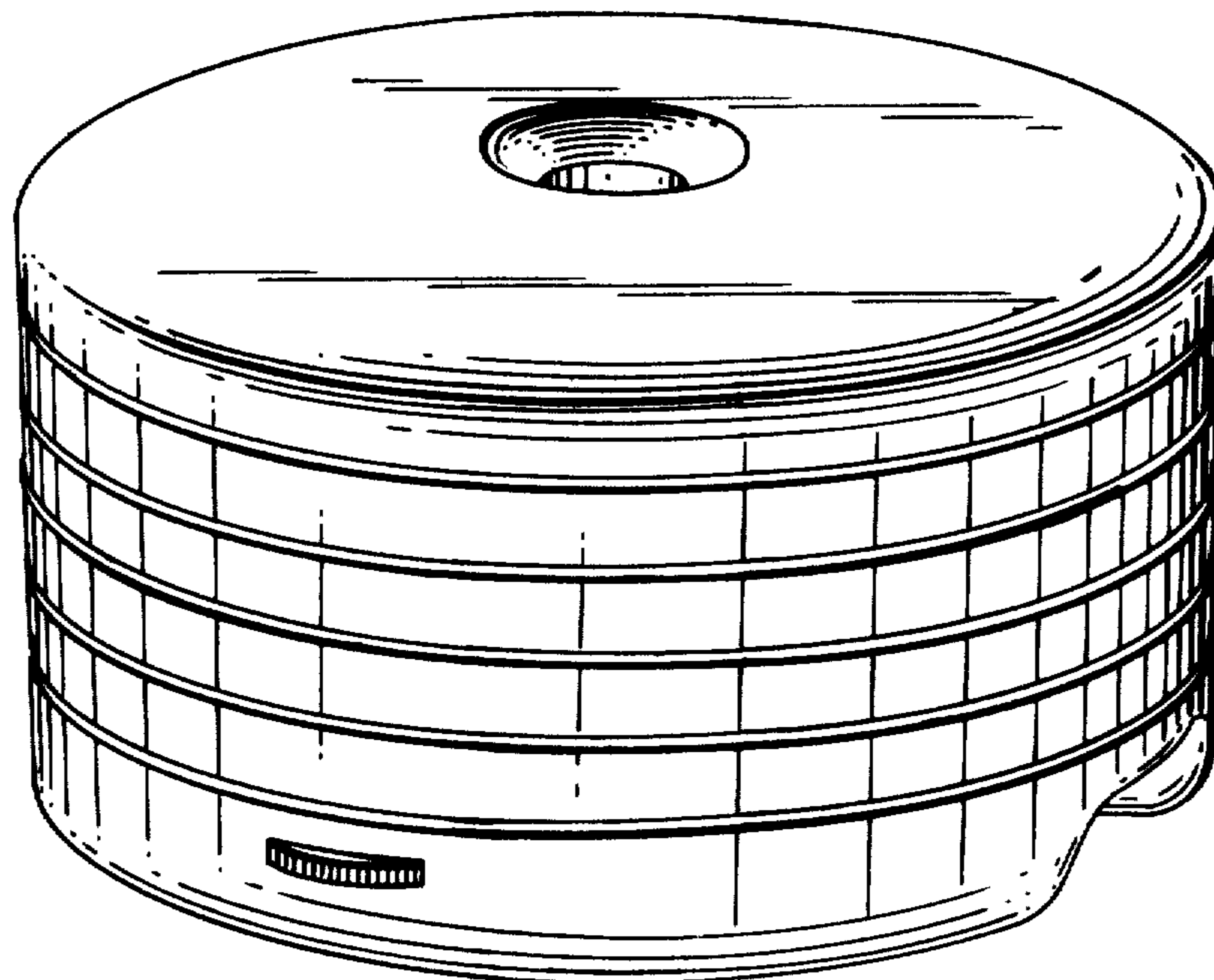


FIG. 1

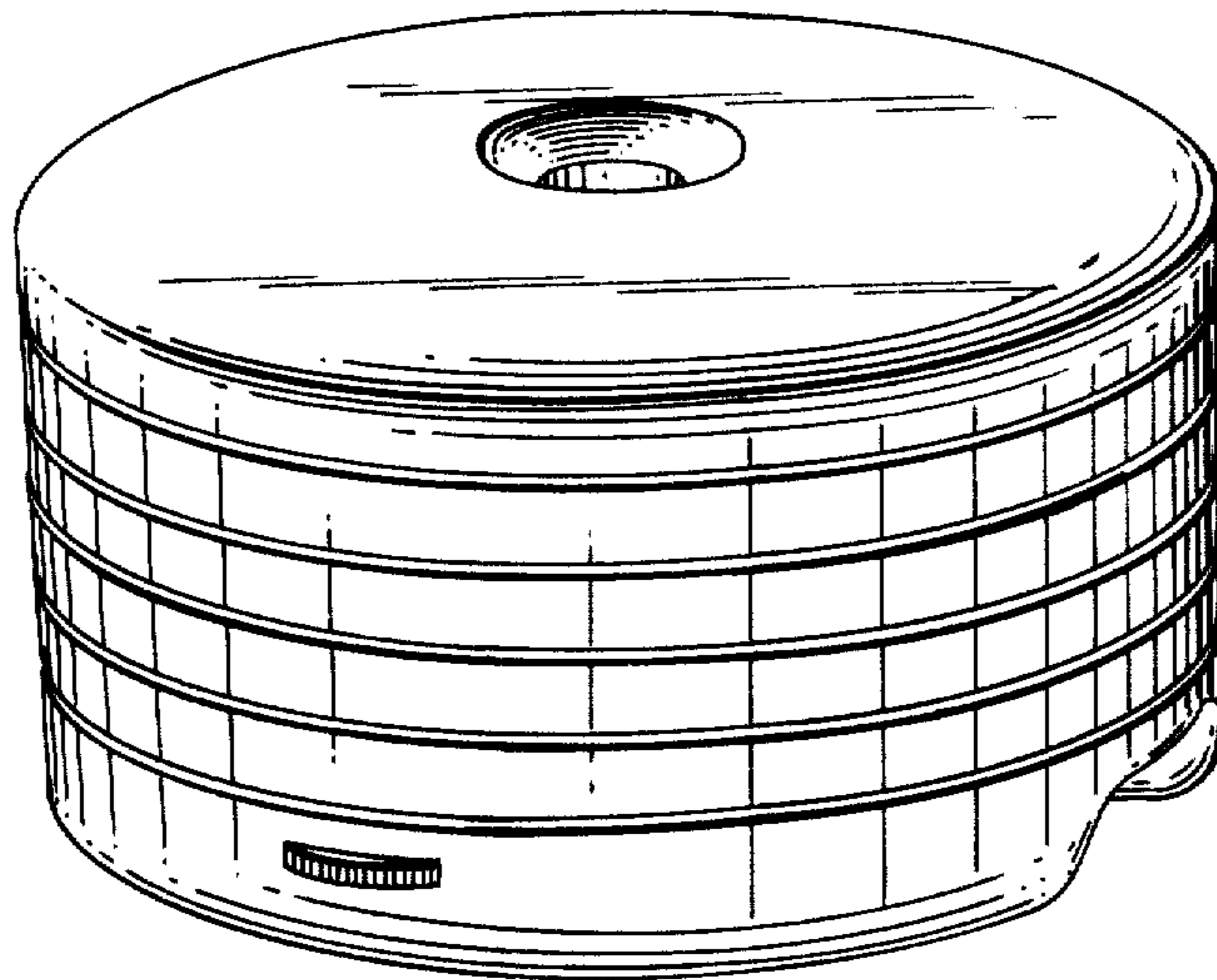


FIG. 2

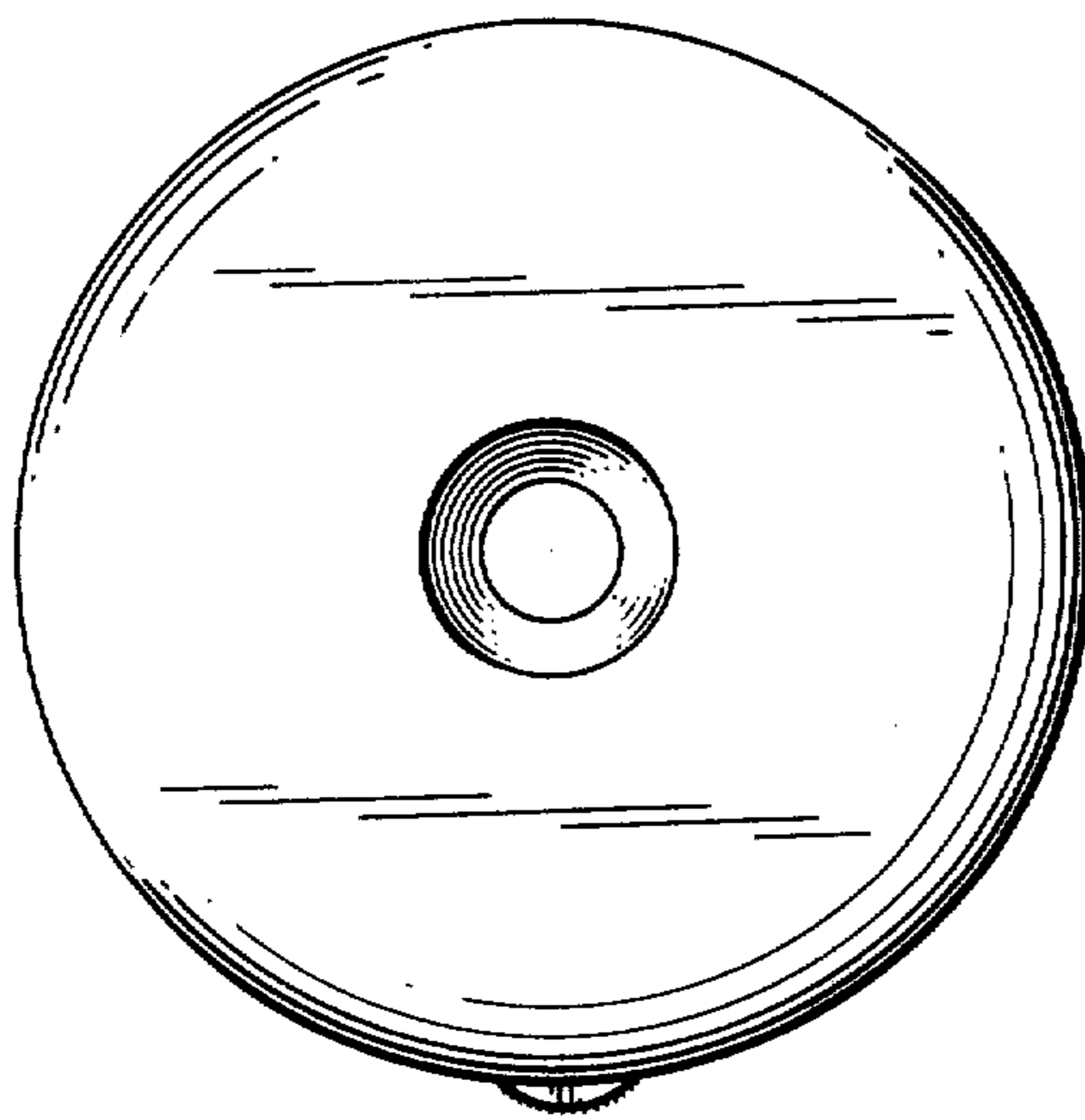


FIG. 3

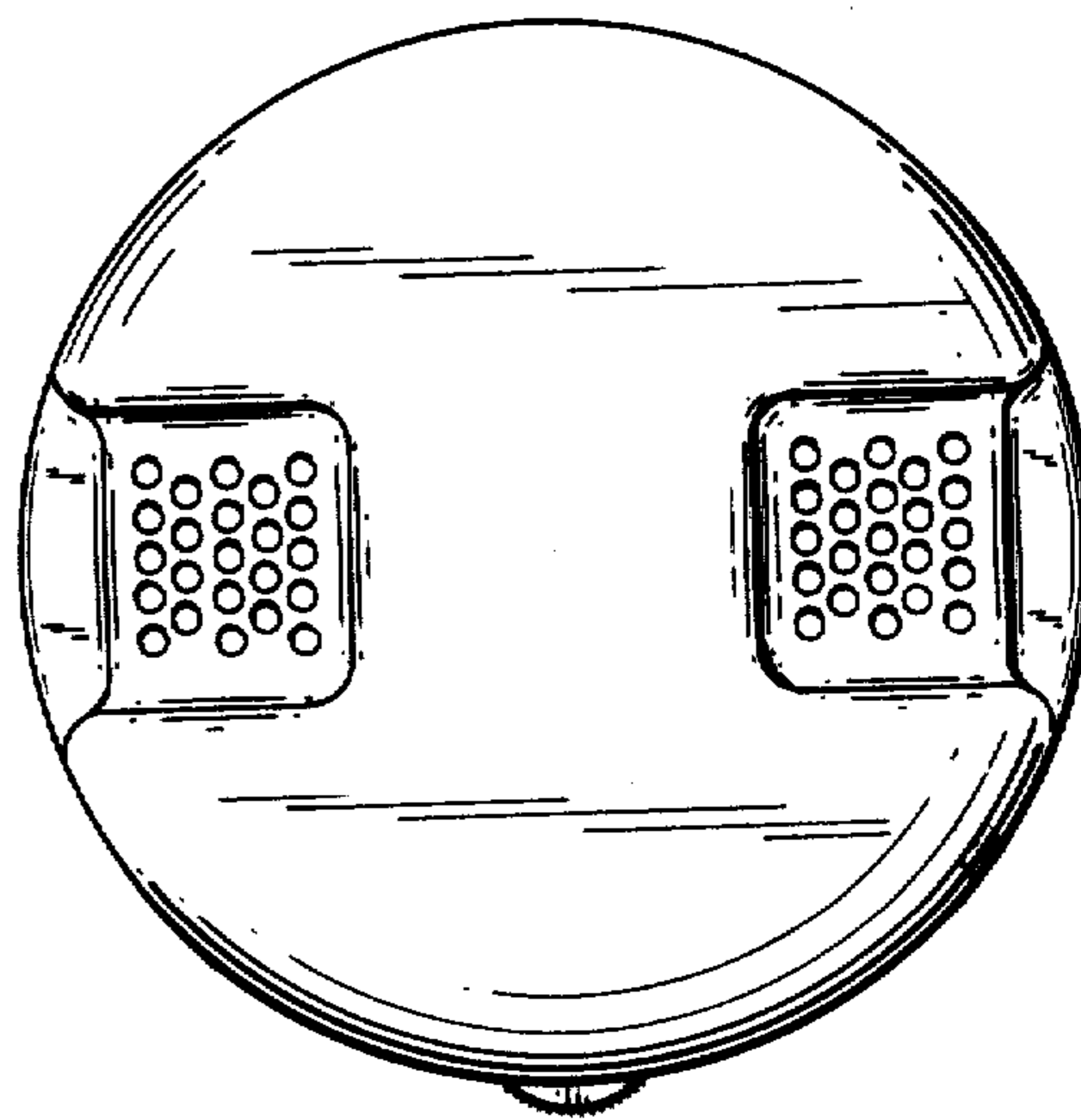


FIG. 4

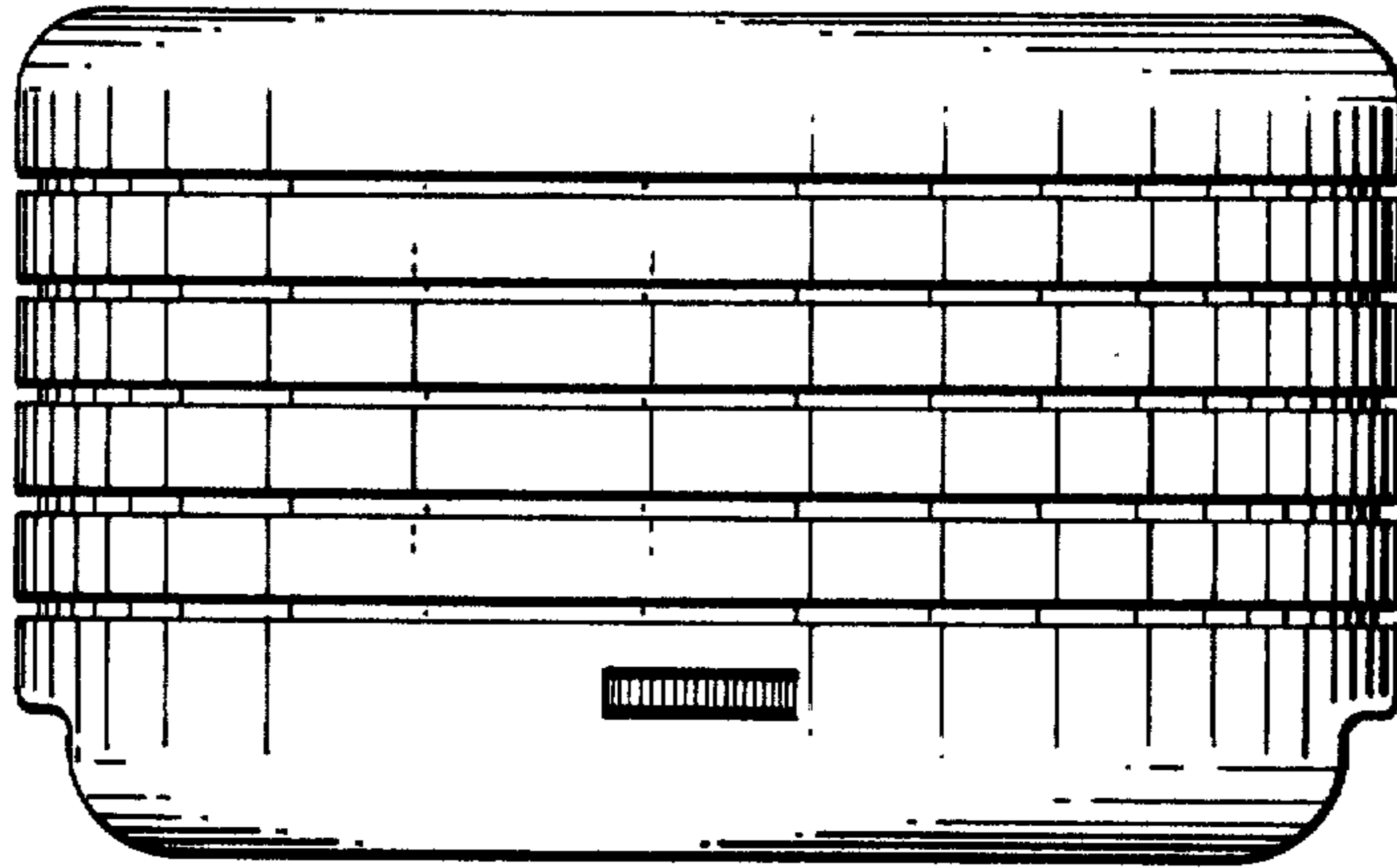


FIG. 5

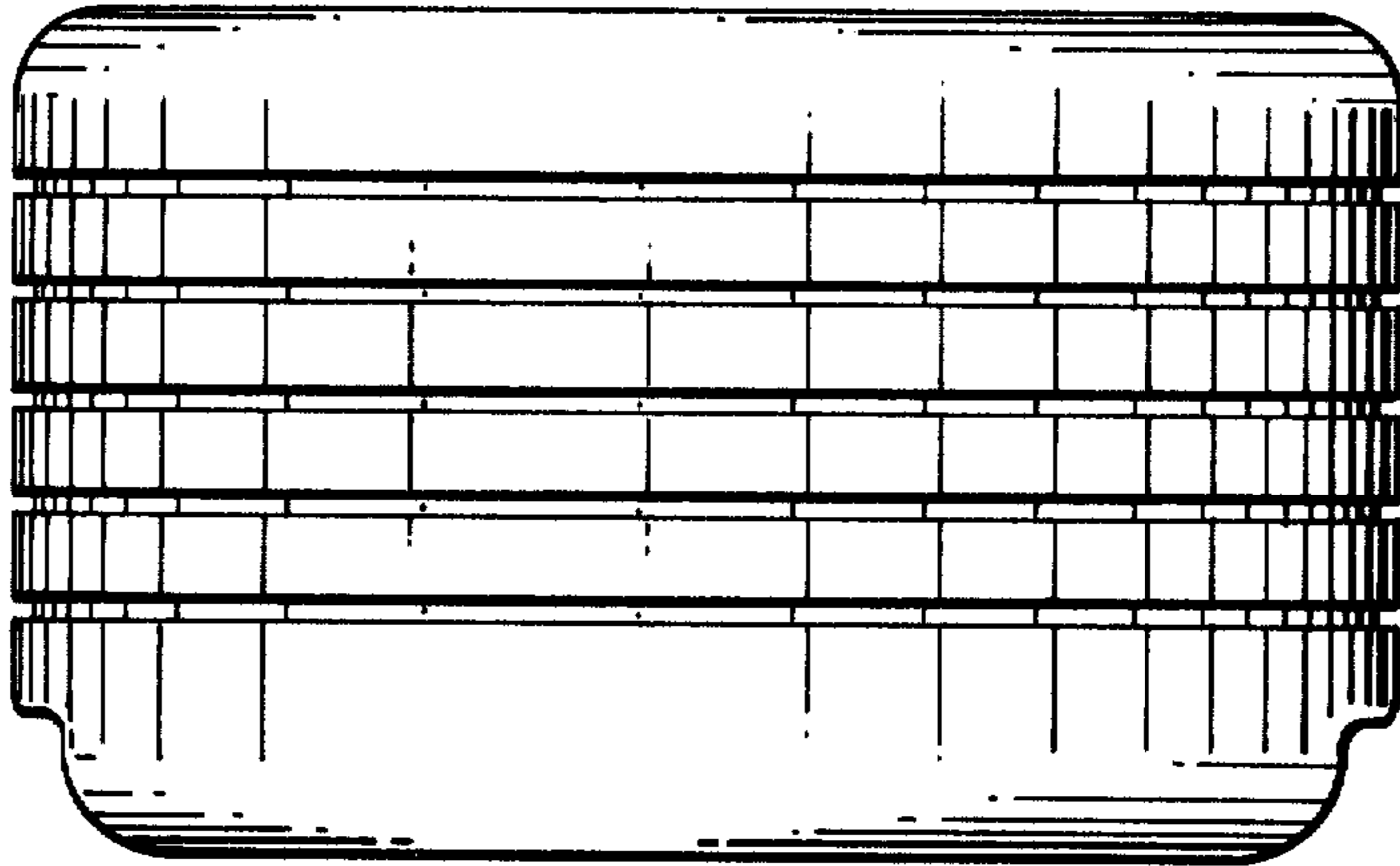


FIG. 6

