

[54] AGRICULTURAL TRACTOR

[75] Inventors: Teizo Takahashi; Kazuo Toyokuni, both of Sakai, Japan

[73] Assignee: Kubota, Ltd., Naniwa, Japan

[**] Term: 14 Years

[21] Appl. No.: 54,617

[22] Filed: Jul. 3, 1979

[30] Foreign Application Priority Data

Jan. 11, 1979 [JP] Japan 54-873

[51] Int. Cl. D15-03

[52] U.S. Cl. D15/23

[58] Field of Search D15/23; 180/54 D, 89.1

[56] References Cited

U.S. PATENT DOCUMENTS

D. 200,302 2/1965 Lorenz et al. D15/23

OTHER PUBLICATIONS

Implement & Tractor, 10/7/78, p. 9, Kubota M. 4000 Tractor, top right side of page.

Implement & Tractor, 10/7/78, p. 34, Yanmar Diesel Tractor, bottom of page.

Primary Examiner—James M. Gandy
Attorney, Agent, or Firm—Kane, Dalsimer, Kane, Sullivan and Kurucz

[57] CLAIM

The ornamental design for an agricultural tractor, as shown and described.

DESCRIPTION

FIG. 1 is a side elevational view of an agricultural tractor showing my new design;

FIG. 2 is an elevational view of the opposite side thereof;

FIG. 3 is a top plan view thereof;

FIG. 4 is a front elevational view thereof; and

FIG. 5 is a rear elevational view thereof.

The broken lines in the drawing are for illustrative purposes only.

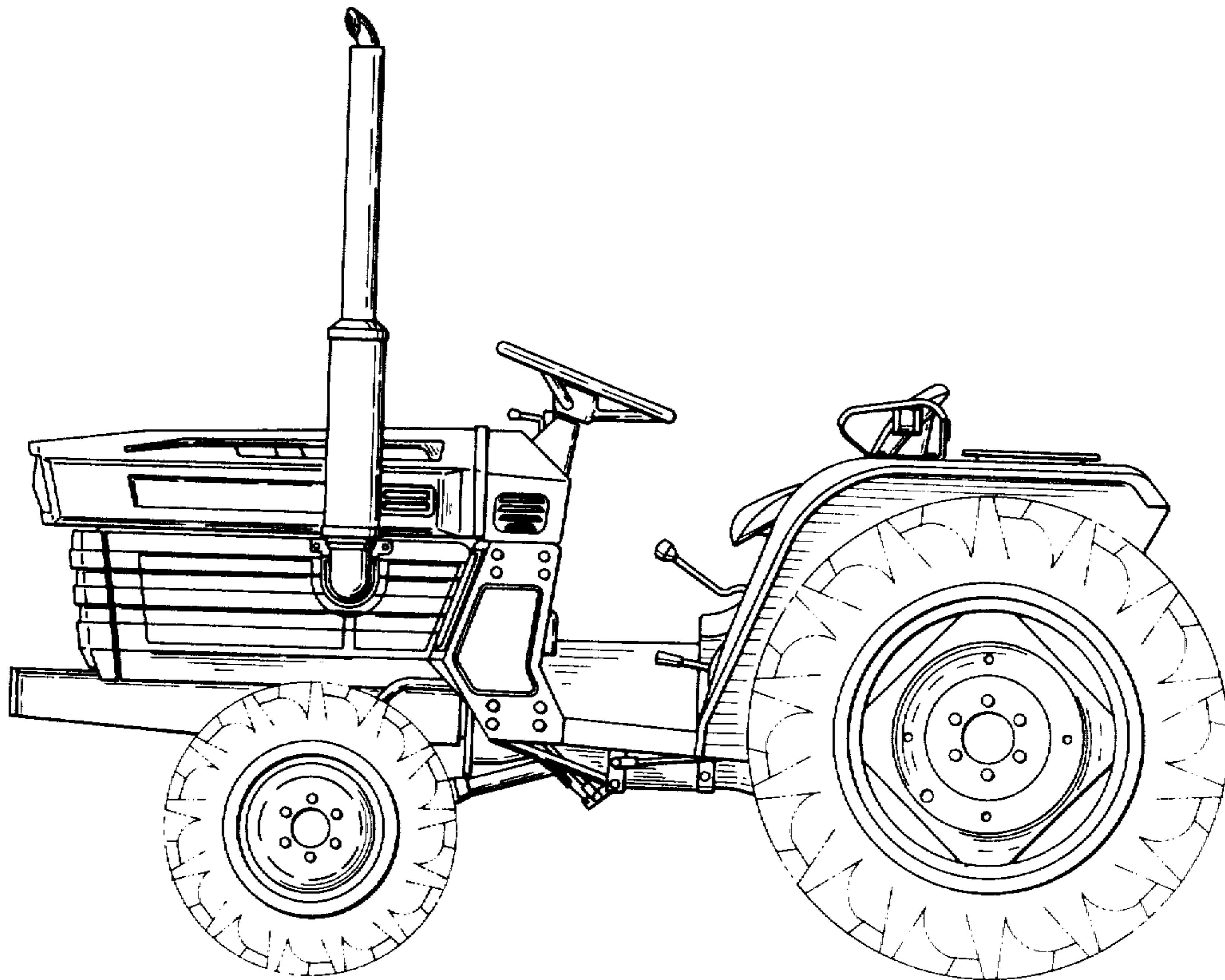


Fig. 1

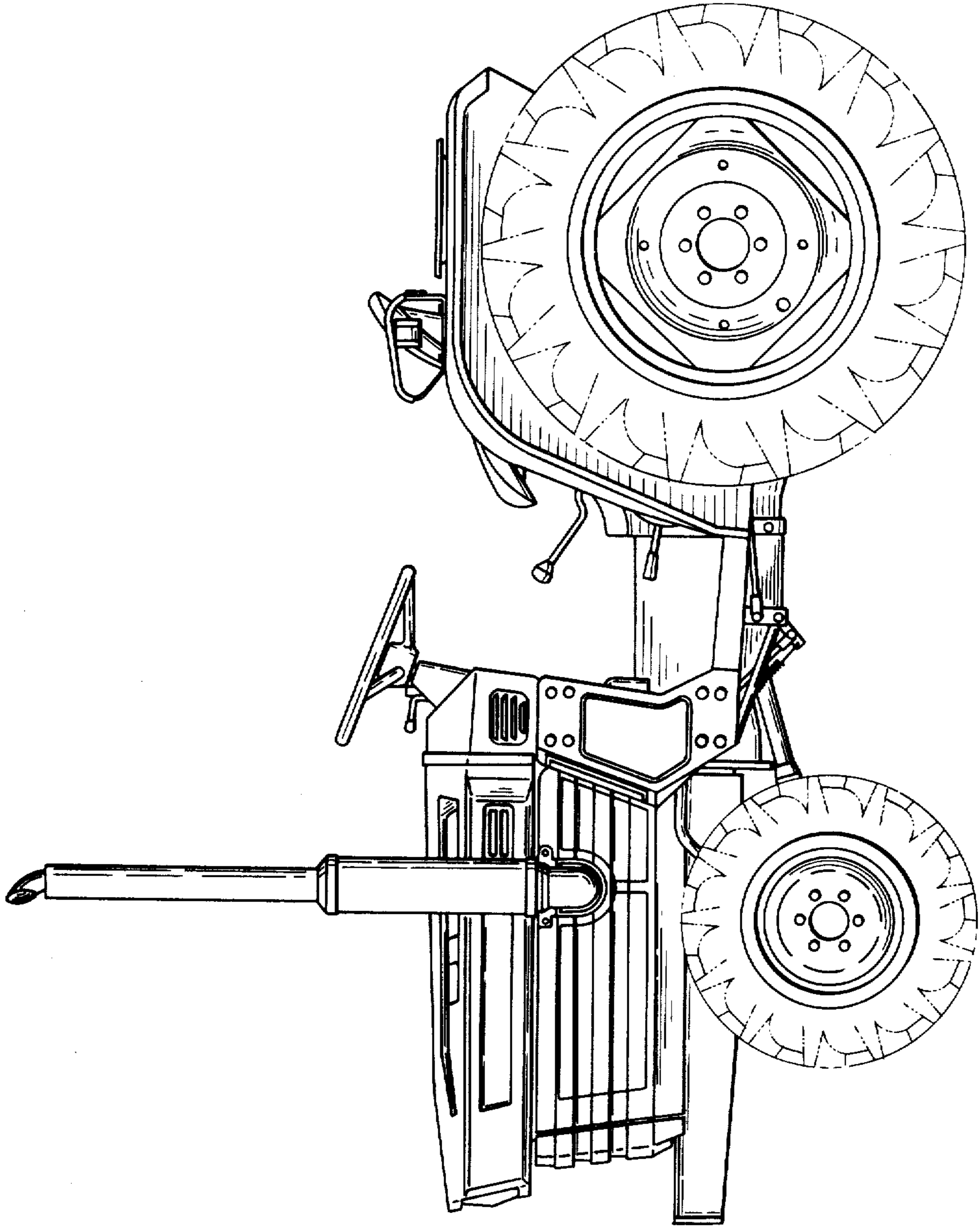


Fig. 2

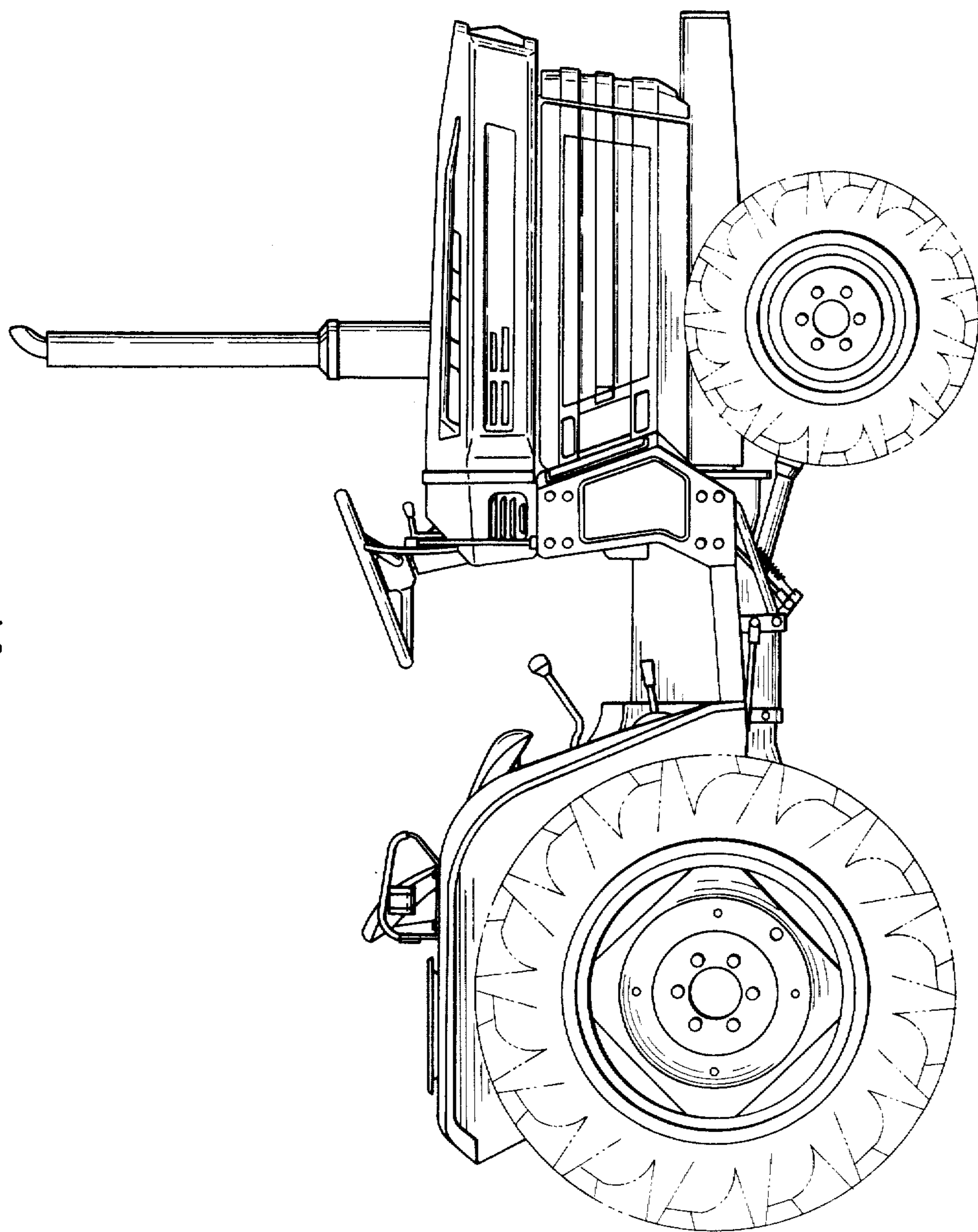


Fig. 3

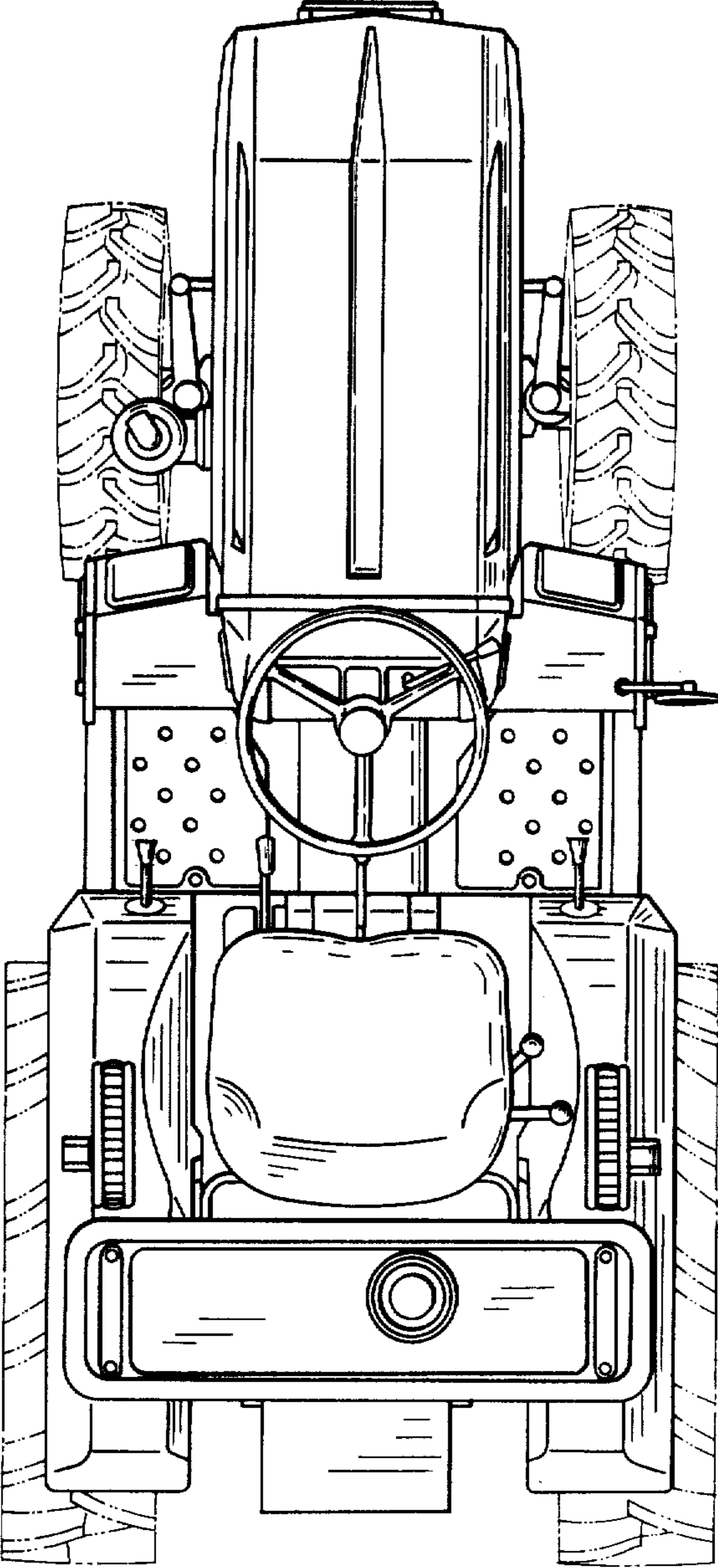


Fig. 4

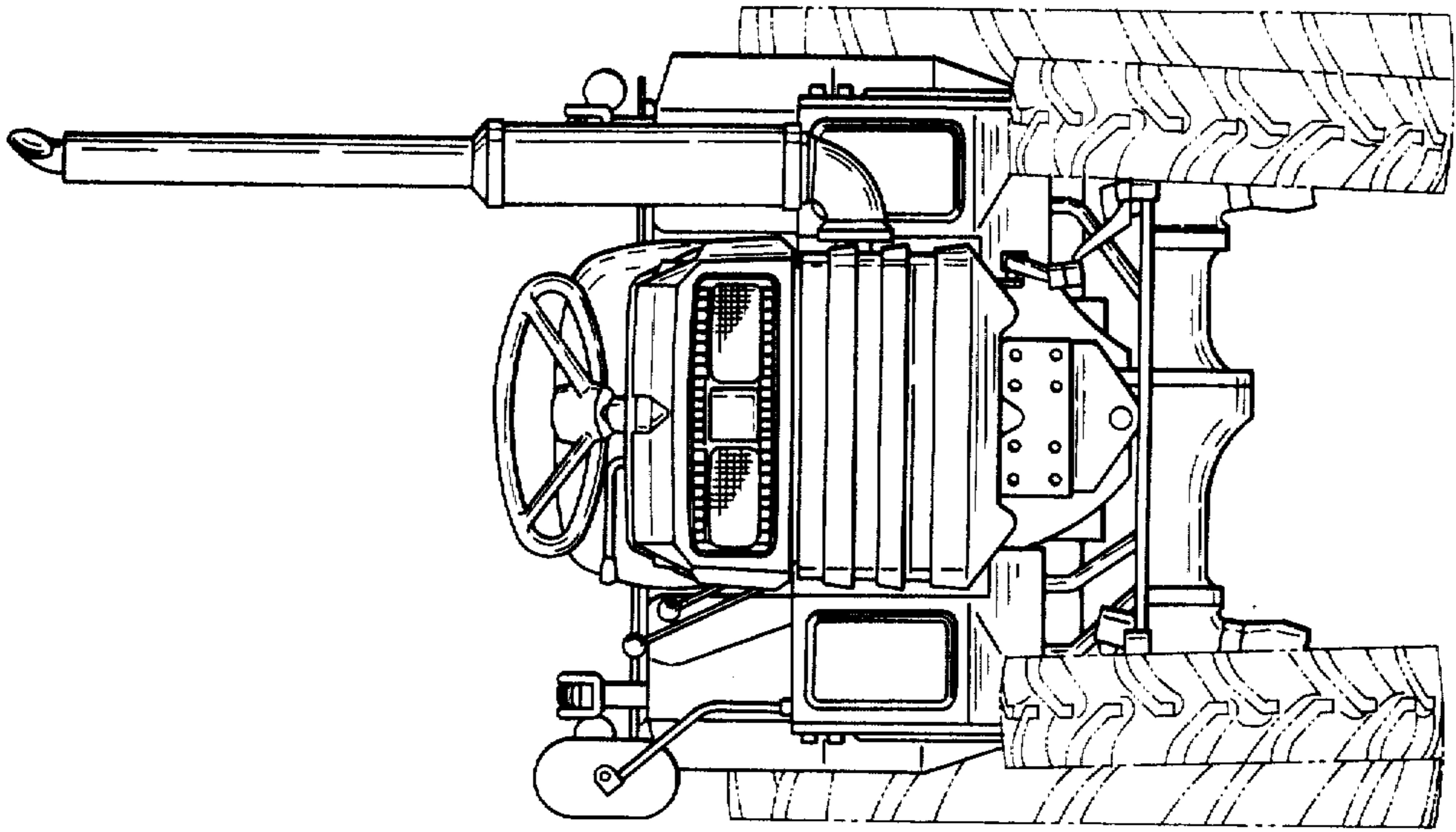


Fig. 5

