

[54] TELEVISION CAMERA

[75] Inventor: Tameaki Ikeda, Tokyo, Japan

[73] Assignee: Sony Corporation, Tokyo, Japan

[**] Term: 14 Years

[21] Appl. No.: 884,042

[22] Filed: Mar. 6, 1978

[30] Foreign Application Priority Data

Sep. 6, 1977 [JP] Japan 52-35514

[51] Int. Cl. D14-03

[52] U.S. Cl. D14/78

[58] Field of Search D14/78; D16/1-10

[56] References Cited

U.S. PATENT DOCUMENTS

D. 148,725 2/1948 Sharma D16/1 X

D. 175,706 10/1955 Bednarz D16/10 X

D. 187,165 2/1960 Sampson D16/3

D. 225,901 1/1973 Yagi D16/2

D. 241,072 8/1976 McMann et al. D14/78

Primary Examiner—Jane E. Corrigan

Attorney, Agent, or Firm—Lewis H. Eslinger

[57] CLAIM

The ornamental design for a television camera, as shown.

DESCRIPTION

FIG. 1 is a front, top and right side perspective view of a television camera showing my new design;

FIG. 2 is a right side elevational view;

FIG. 3 is a top plan view;

FIG. 4 is a front elevational view;

FIG. 5 is a rear elevational view;

FIG. 6 is a left side elevational view; and

FIG. 7 is a bottom plan view.

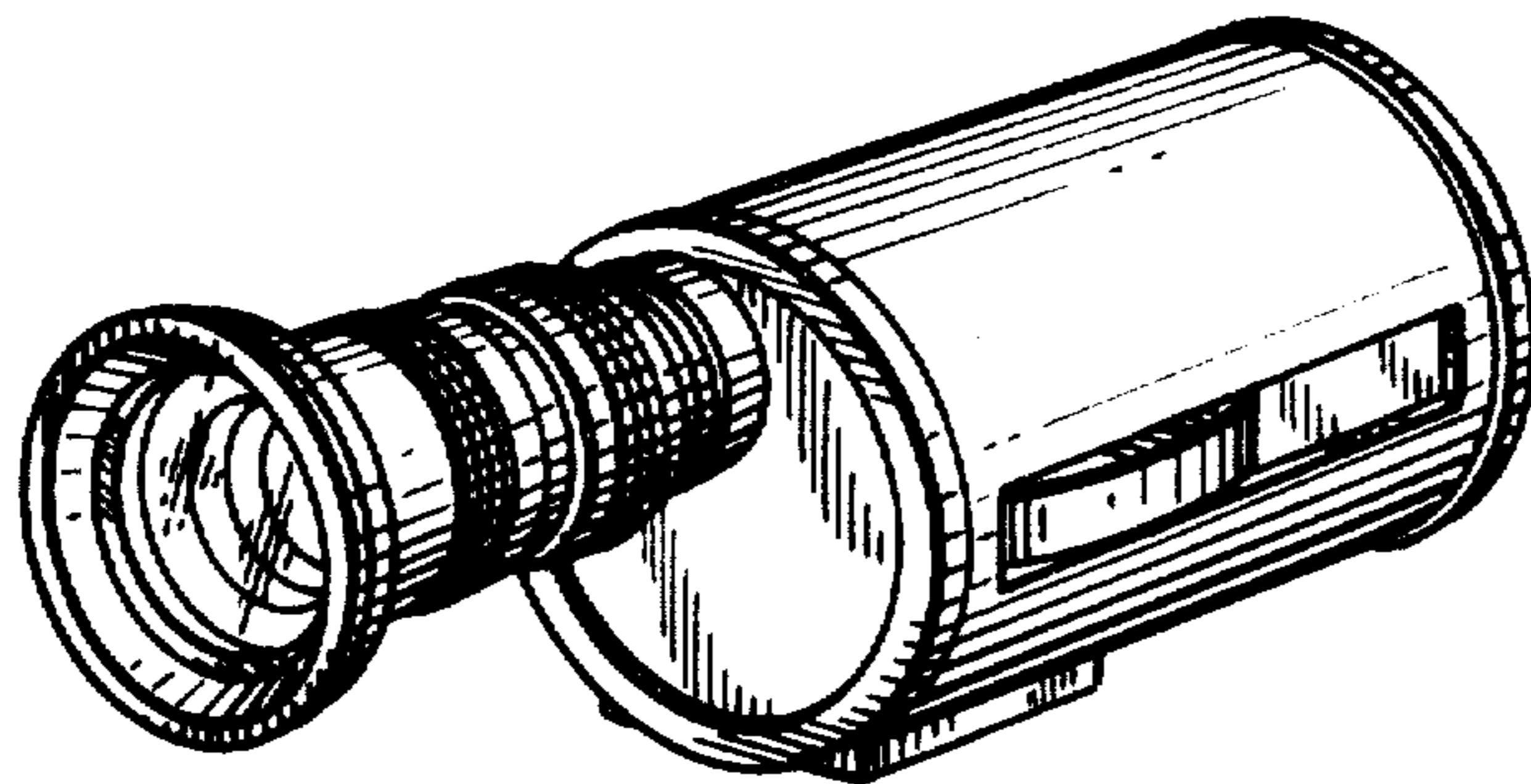


FIG. 1

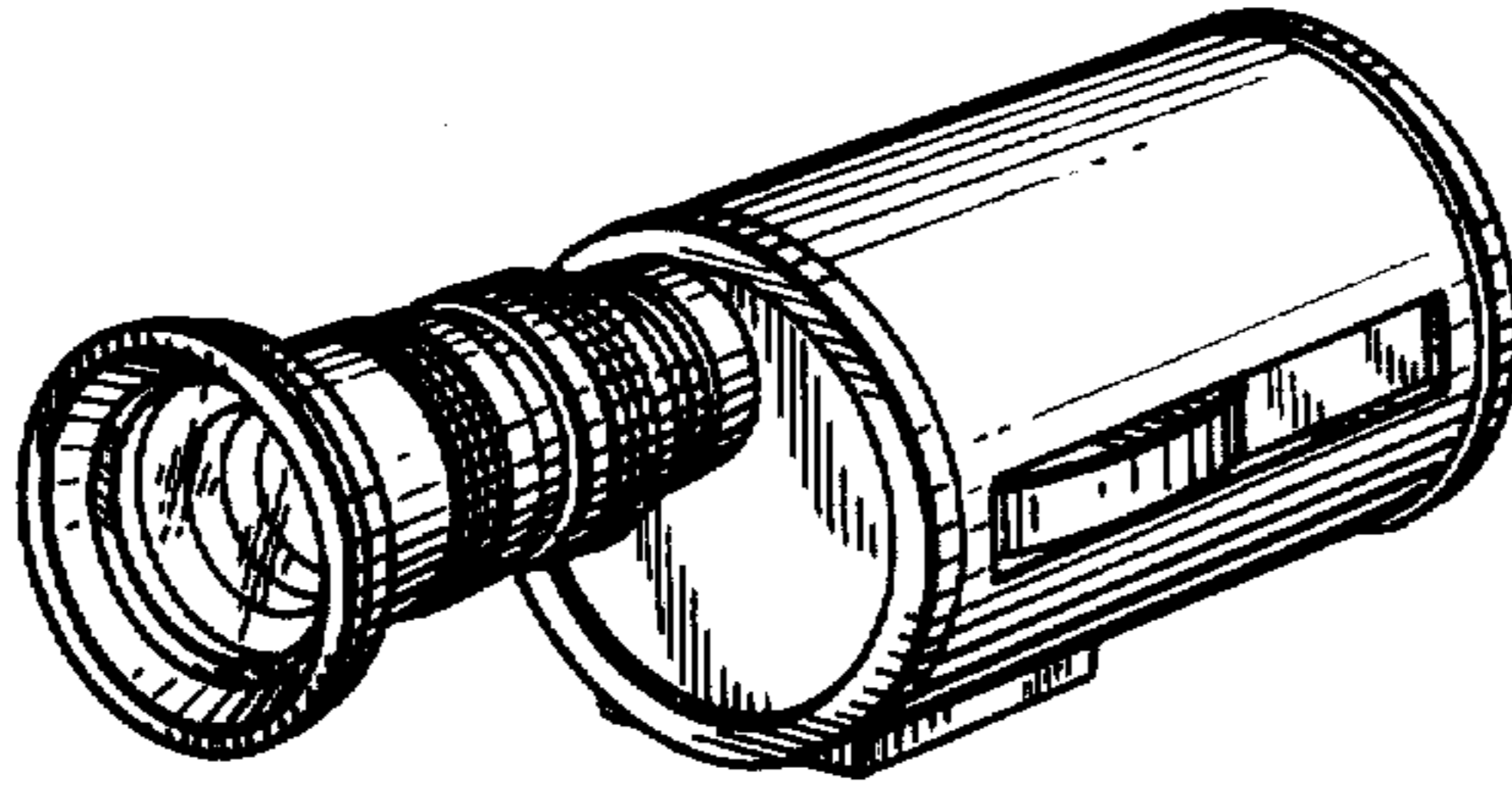


FIG. 2

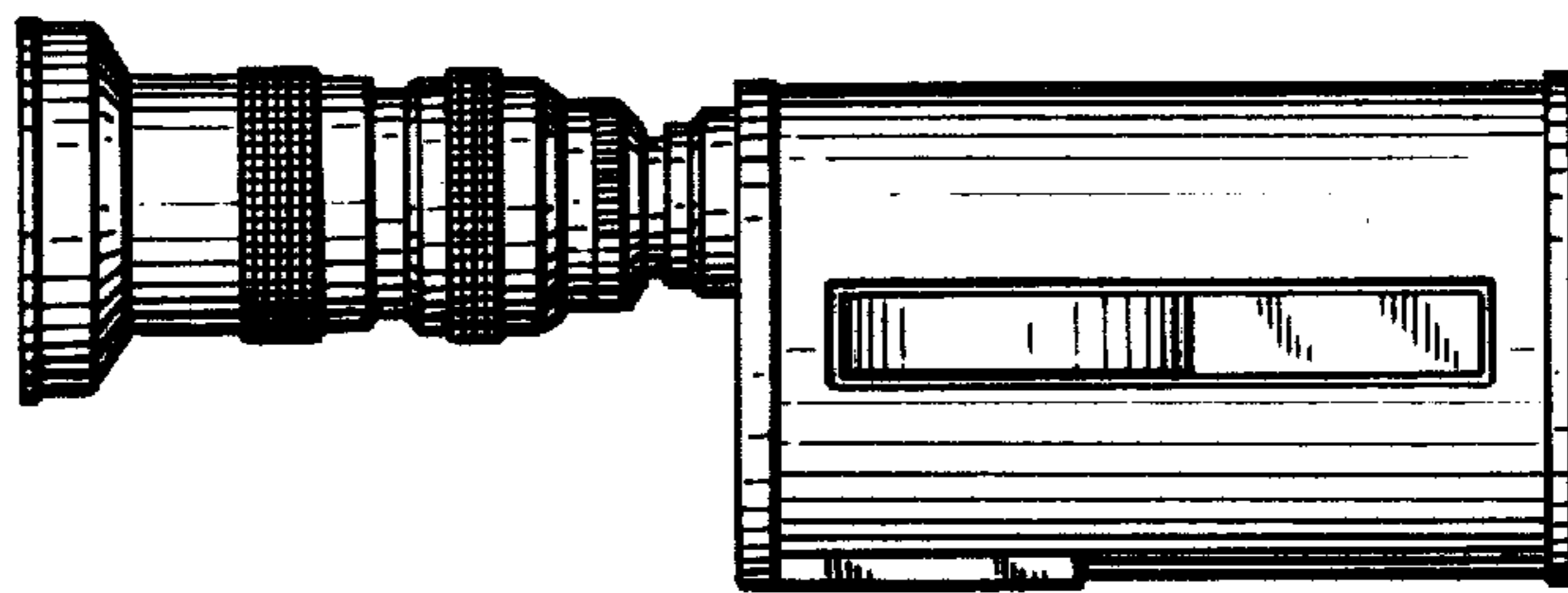


FIG. 3

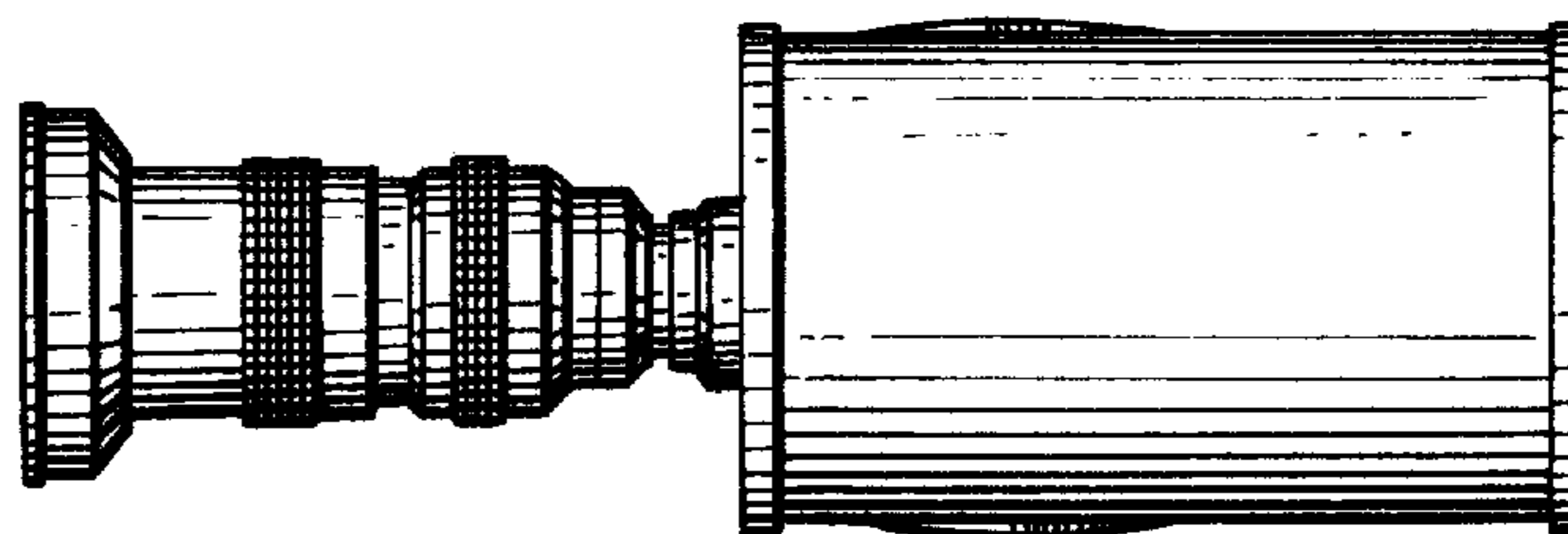


FIG. 4

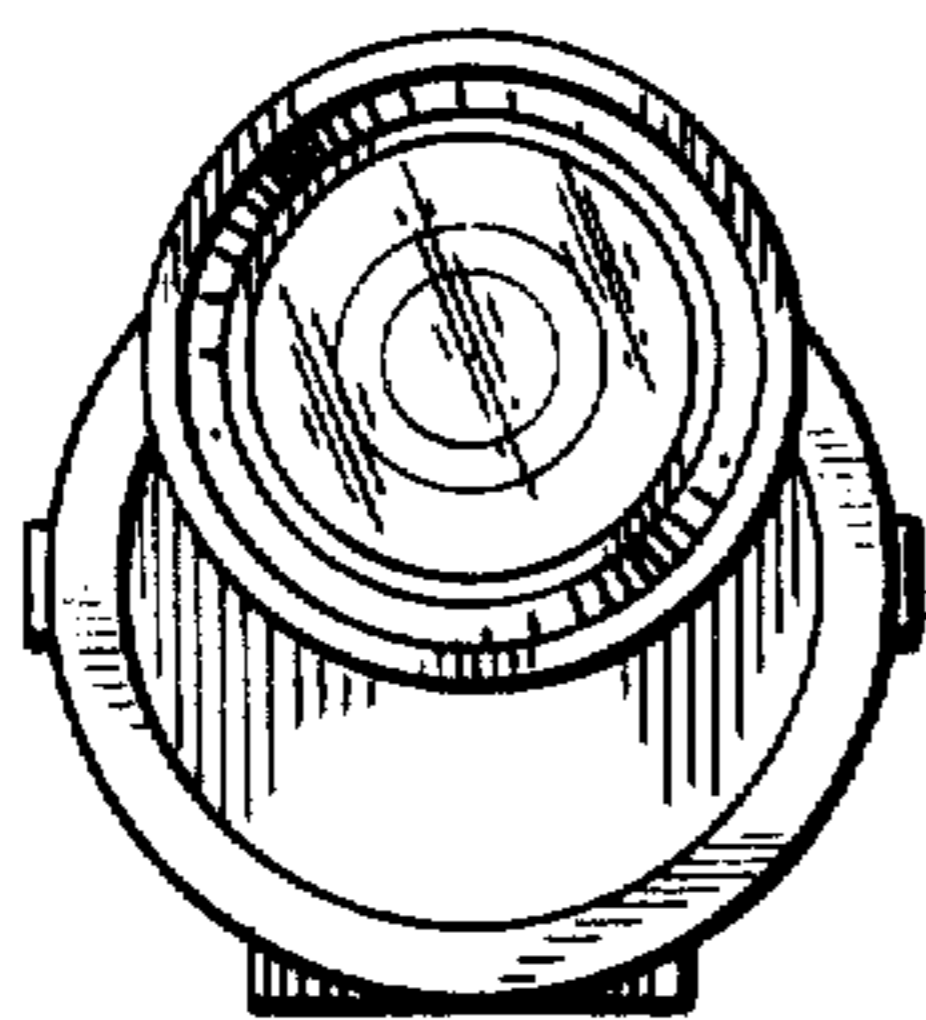


FIG. 5

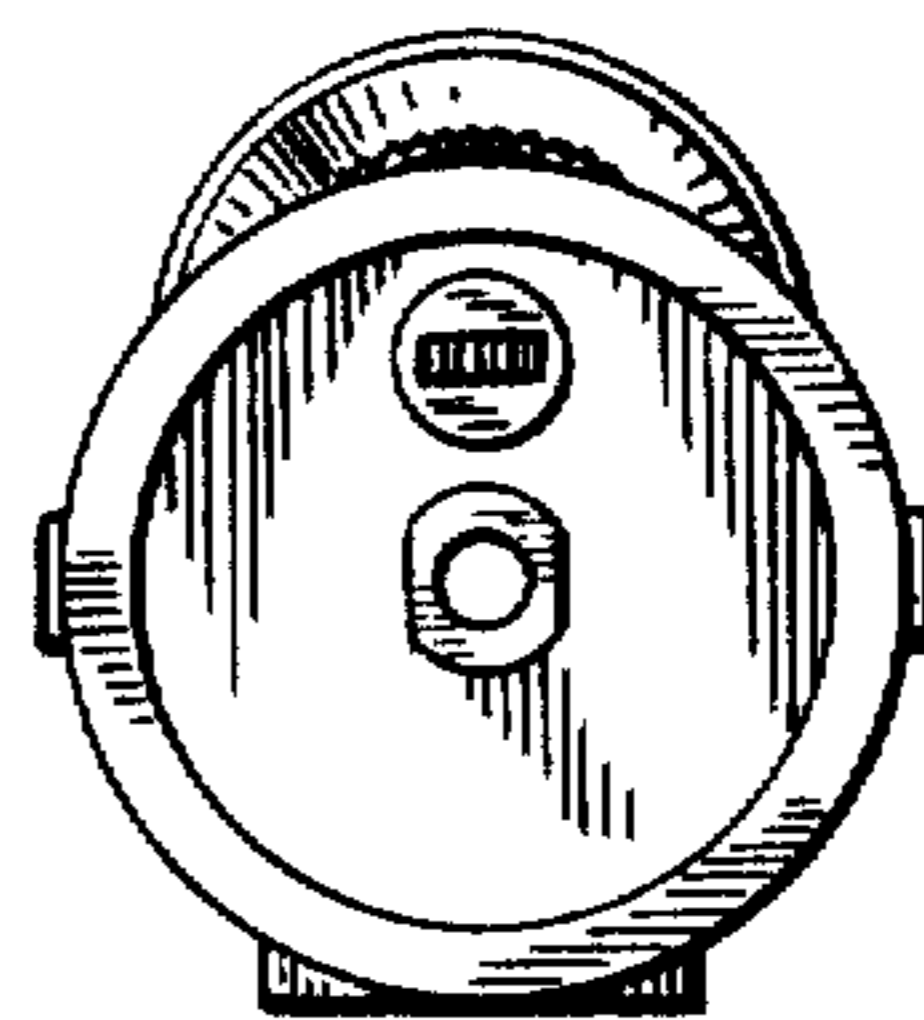


FIG. 6

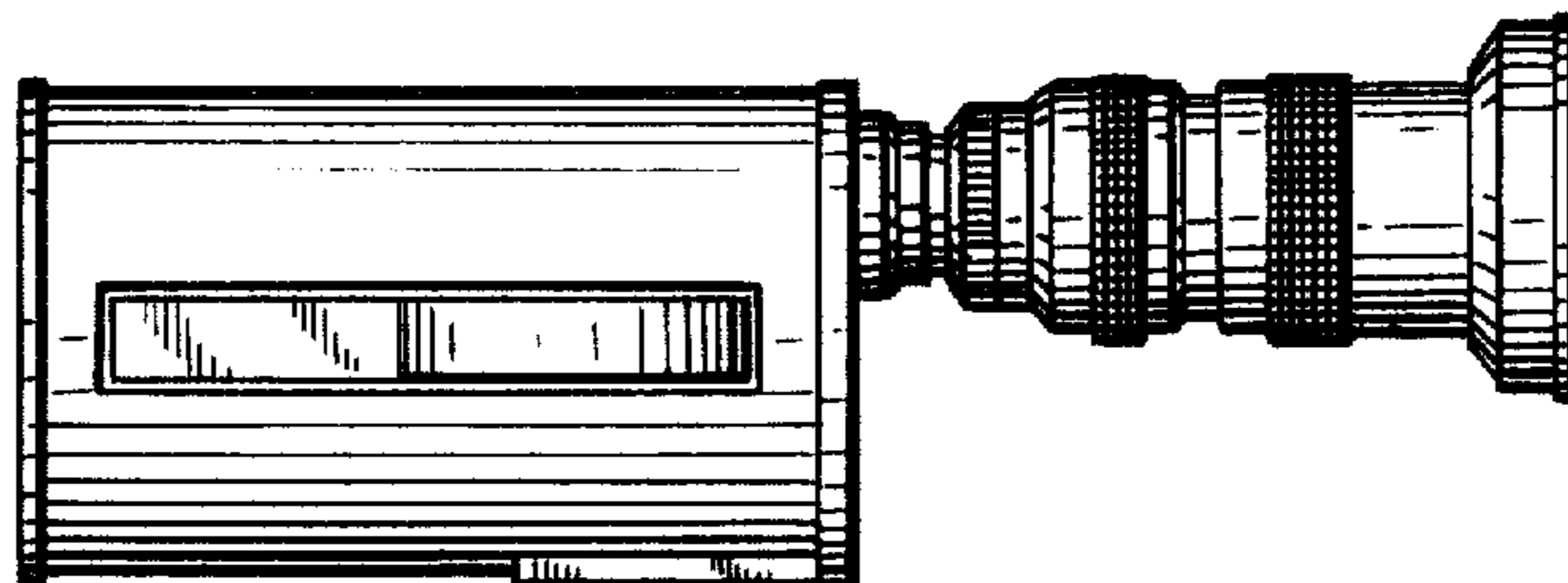


FIG. 7

