

[54] **ARTICLE CARRIER STANCHION**

[75] Inventors: **Ray G. Mareydt, Warren; Daniel J. Kowalski, Ortonville, both of Mich.**

[73] Assignee: **Four Star Corporation, Troy, Mich.**

[**] Term: **14 Years**

[21] Appl. No.: **46,996**

[22] Filed: **Jun. 11, 1979**

[51] Int. Cl. **D12-16**

[52] U.S. Cl. **D12/157**

[58] Field of Search **D12/157; D8/382, 383, D8/356; 224/310, 331, 323-326; 248/499, 500; 24/265 CD**

[56] **References Cited**

U.S. PATENT DOCUMENTS

D. 250,464 12/1978 Bott D12/157
 3,325,067 6/1967 Helm 224/321

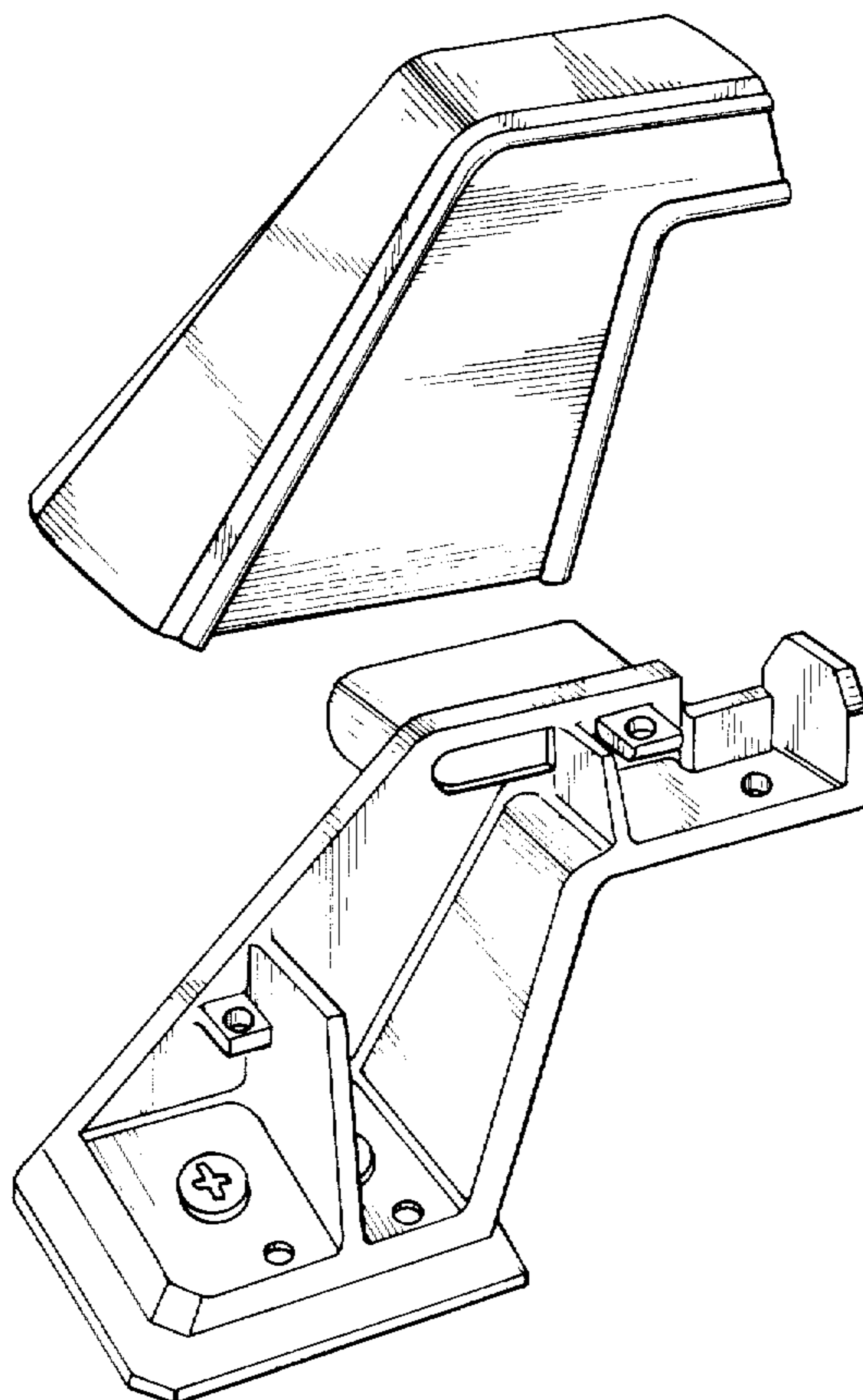
Primary Examiner—James M. Gandy
Attorney, Agent, or Firm—Reising, Ethington, Barnard, Perry & Brooks

[57] **CLAIM**

The ornamental design for an article carrier stanchion, as shown and described.

DESCRIPTION

FIG. 1 is an exploded, perspective view of an article carrier stanchion showing our new design; FIG. 2 is an exploded, side elevational view, as seen from the side opposite that of FIG. 1.



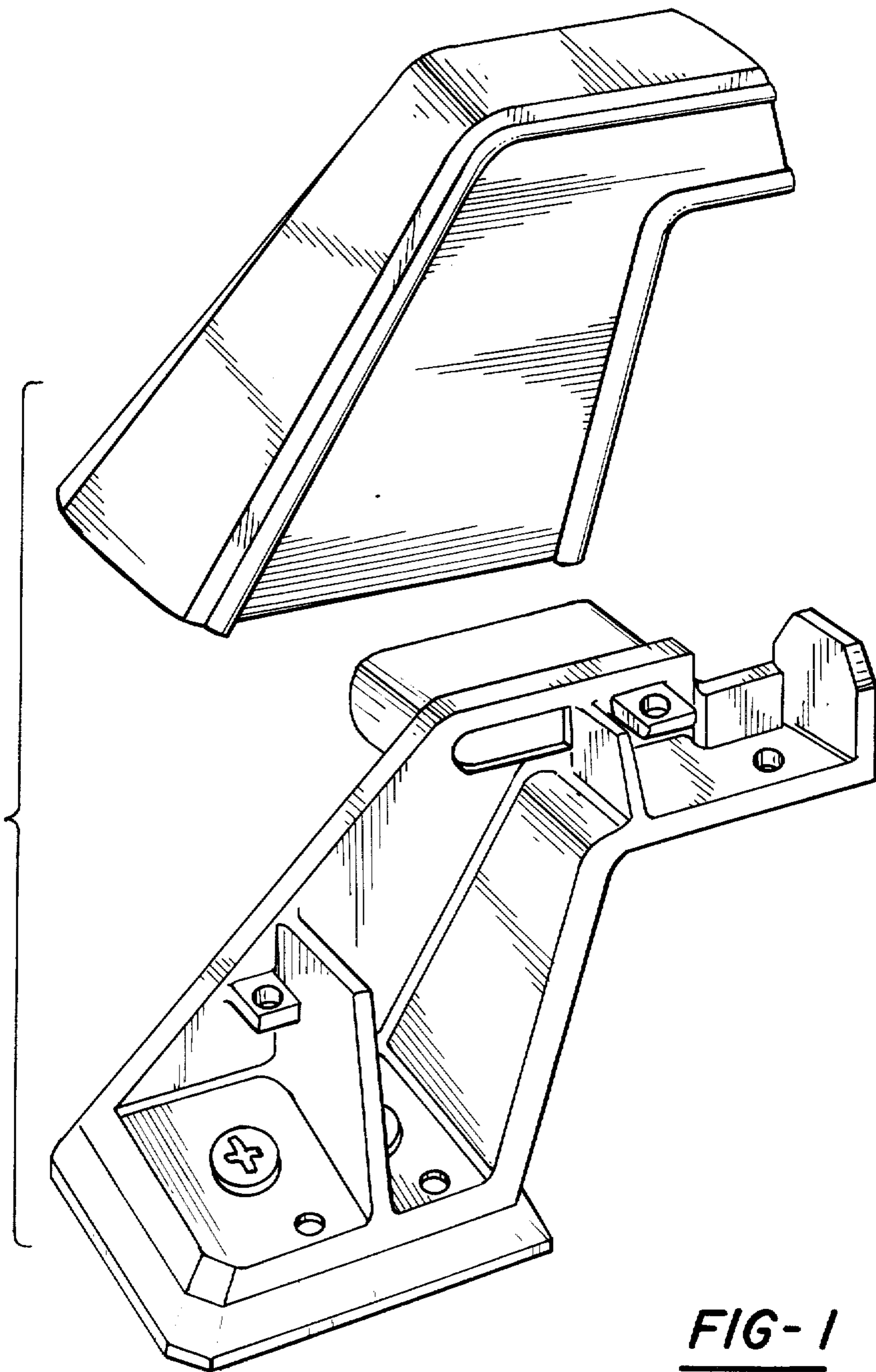


FIG-1

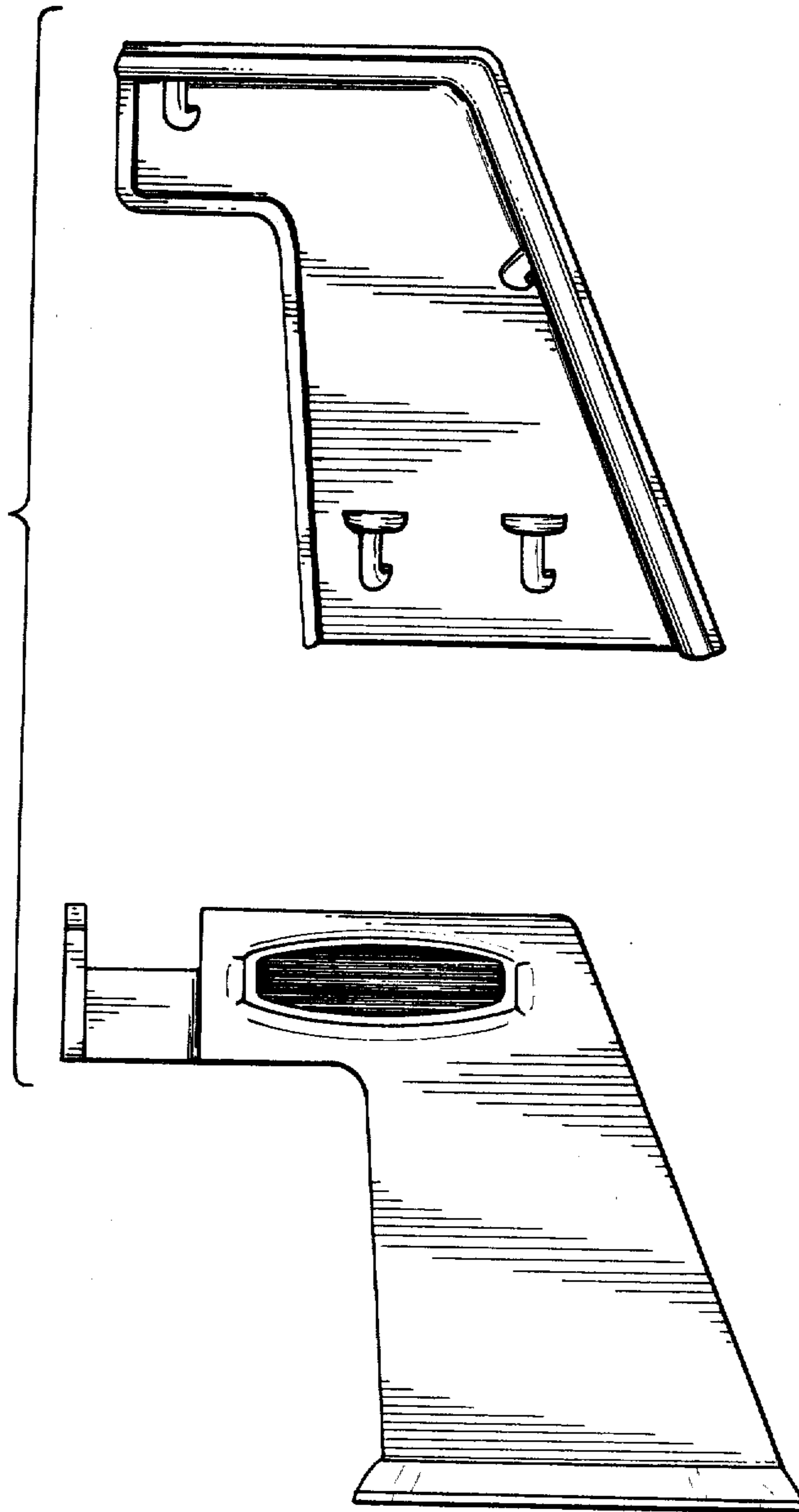


FIG-2