

[54] FOLDABLE BABY STROLLER

[56]

References Cited

U.S. PATENT DOCUMENTS

[76] Inventor: Giuseppe Perego, Via De Gasperi, Arcore (Milano), Italy, 20043

4,049,292 9/1977 Perego 280/642
4,173,355 11/1979 Perego 280/642

[**] Term: 14 Years

FOREIGN PATENT DOCUMENTS

437 1/1979 European Pat. Off. 280/647
2633759 2/1977 Fed. Rep. of Germany 280/650

[21] Appl. No.: 29,482

Primary Examiner—James M. Gandy
Attorney, Agent, or Firm—McGlew and Tuttle

[22] Filed: Apr. 12, 1979

[57] CLAIM

The ornamental design for a foldable baby stroller, as shown and described.

[30] Foreign Application Priority Data

Oct. 30, 1978 [IT] Italy 23166/78[U]

DESCRIPTION

[51] Int. Cl. D12-12

[52] U.S. Cl. D12/129

[58] Field of Search D12/129; 280/642, 647, 280/650, 47.38, 47.4

FIG. 1 is a side perspective view of a foldable baby stroller showing my new design, it being understood that the opposite side is substantially a mirror image thereof;

FIG. 2 is a front perspective view thereof; and
FIG. 3 is a rear perspective view thereof.



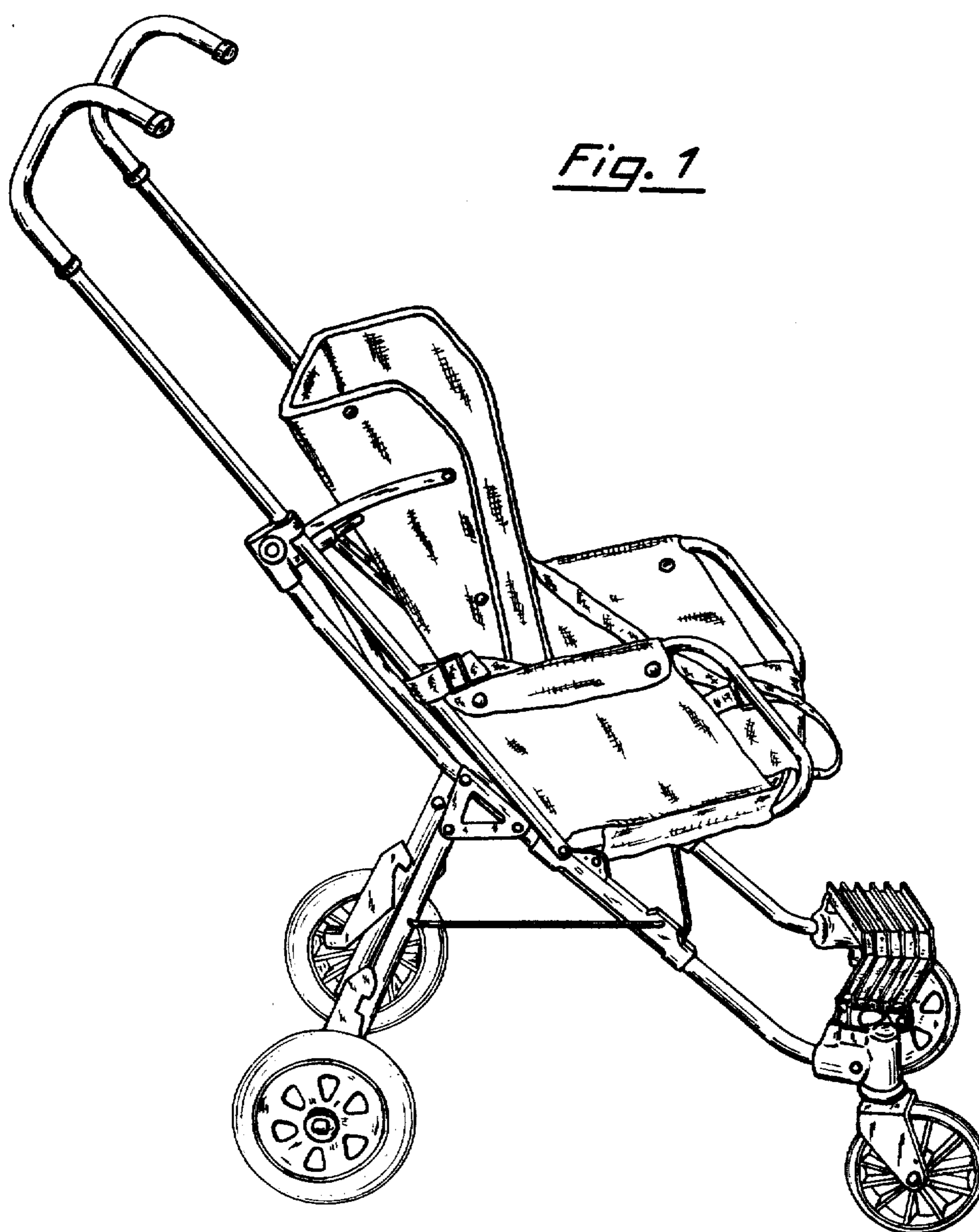


Fig. 1



Fig. 2

Fig. 3

