

- [54] BOAT
- [75] Inventor: George D. Fowler, Maryville, Tenn.
- [73] Assignee: Supreme Industries, Inc., Louisville, Tenn.
- [**] Term: 14 Years
- [21] Appl. No.: 968,115
- [22] Filed: Dec. 11, 1978
- [51] Int. Cl. D12-06
- [52] U.S. Cl. D12/300
- [58] Field of Search D12/62; 9/1.1, 6 W, 9/6 P, 6 M

[56] **References Cited**
PUBLICATIONS
 Browning Aircraft Mach III Catalog, left & center of page.

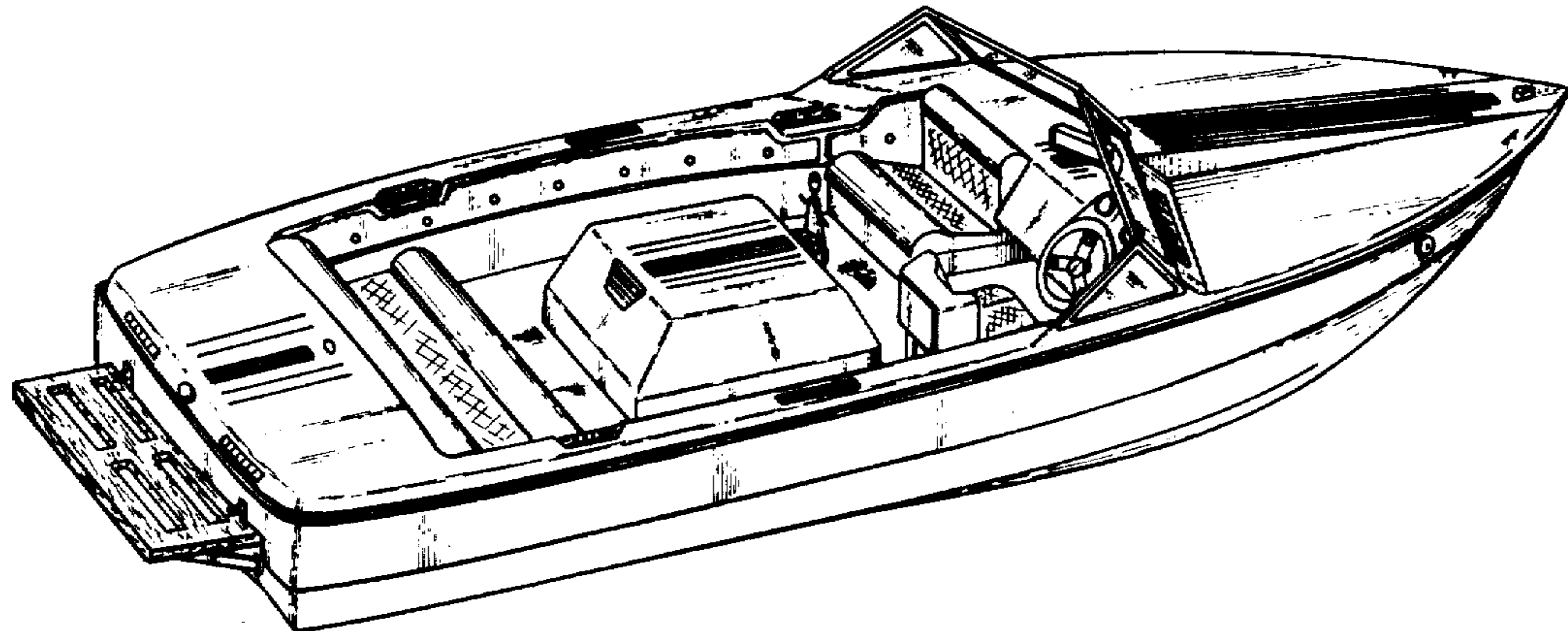
Primary Examiner—Sam Rosen
Attorney, Agent, or Firm—Pitts & Kesterson

[57] CLAIM

The ornamental design for a boat, as shown and described.

DESCRIPTION

FIG. 1 is a perspective view of a boat showing my new design;
 FIG. 2 is a front elevation view thereof with portions of the rear hull as shown in FIG. 3 omitted for ease of illustration;
 FIG. 3 is a rear elevation view thereof with portions of the front hull as shown in FIG. 2 omitted for ease of illustration;
 FIG. 4 is a top plan view thereof;
 FIG. 5 is a bottom plan view thereof;
 FIG. 6 is a right side elevation view thereof; and
 FIG. 7 is a left side elevation view thereof.



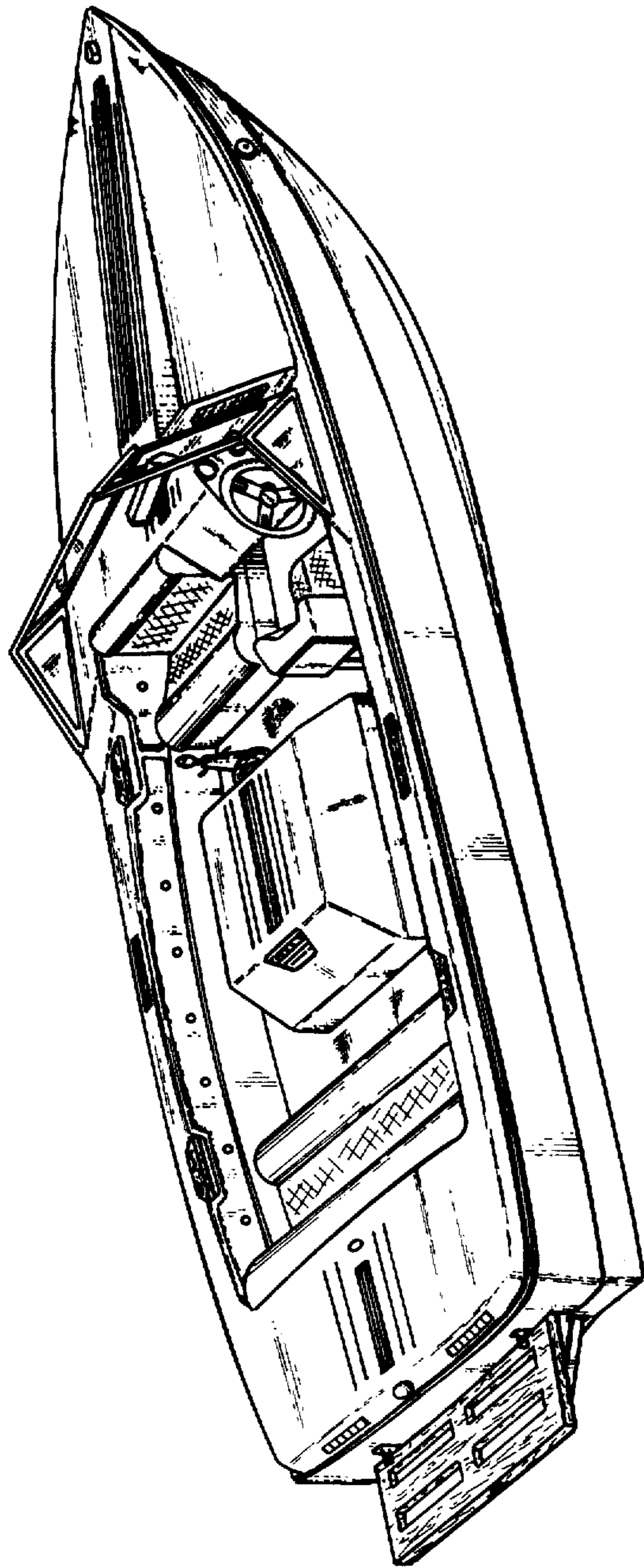


Fig. 1

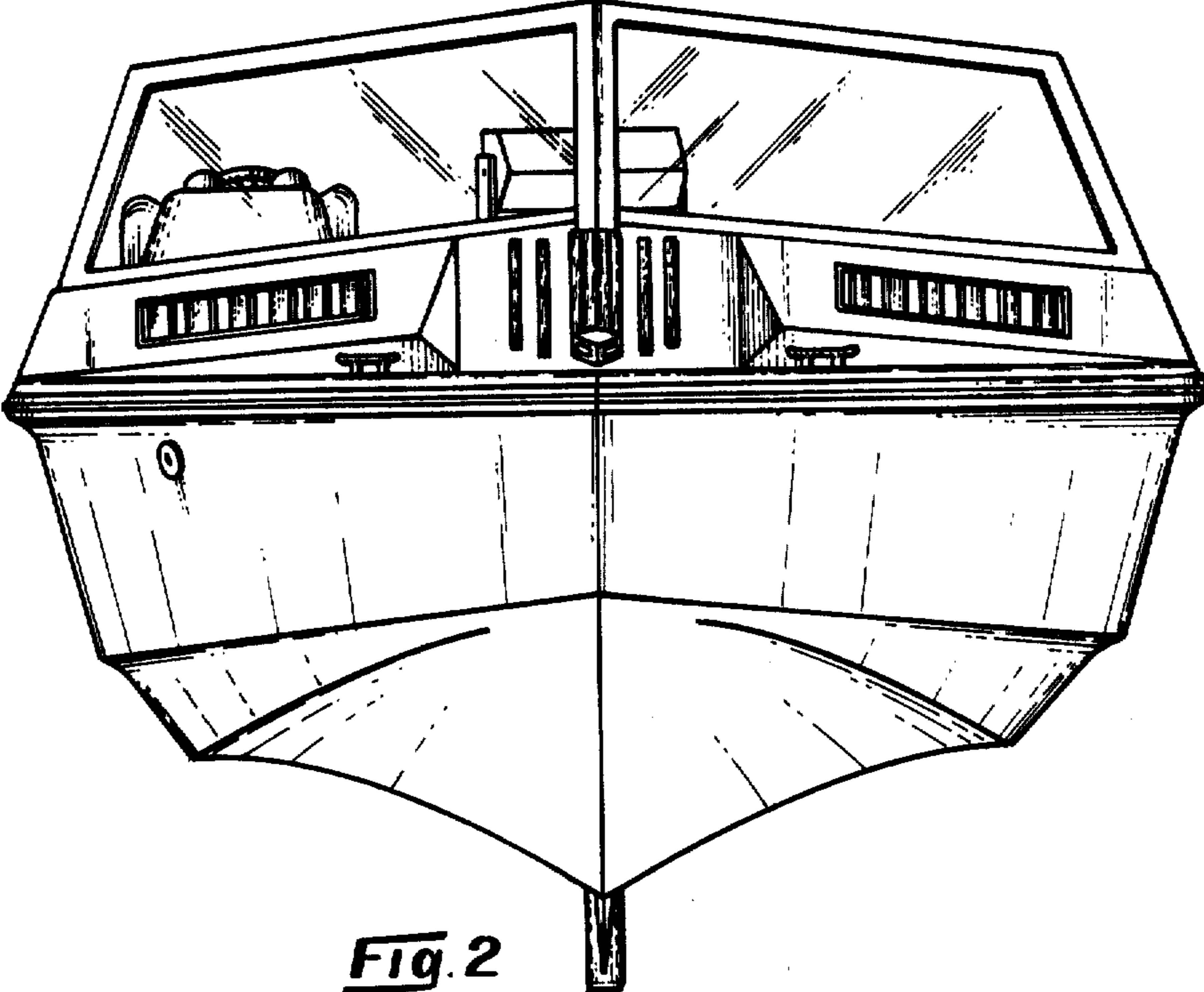


Fig. 2

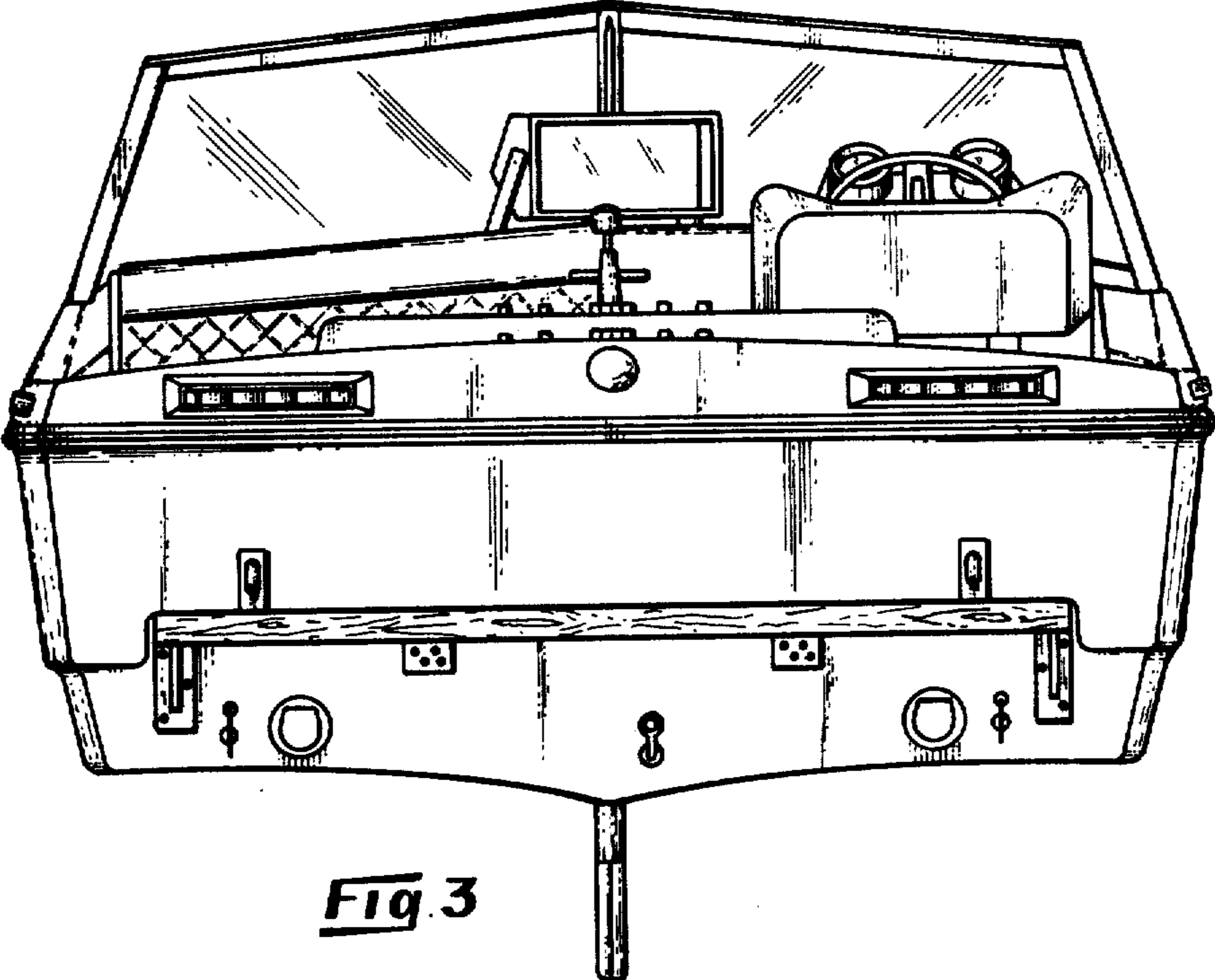


Fig. 3

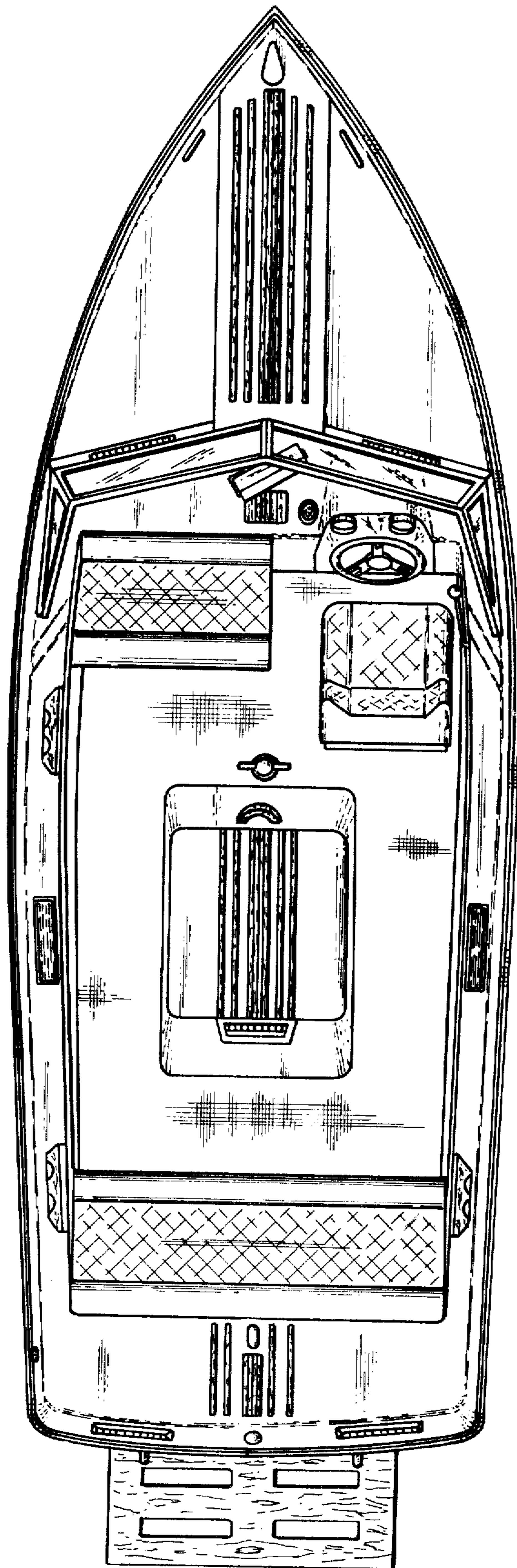


FIG. 4

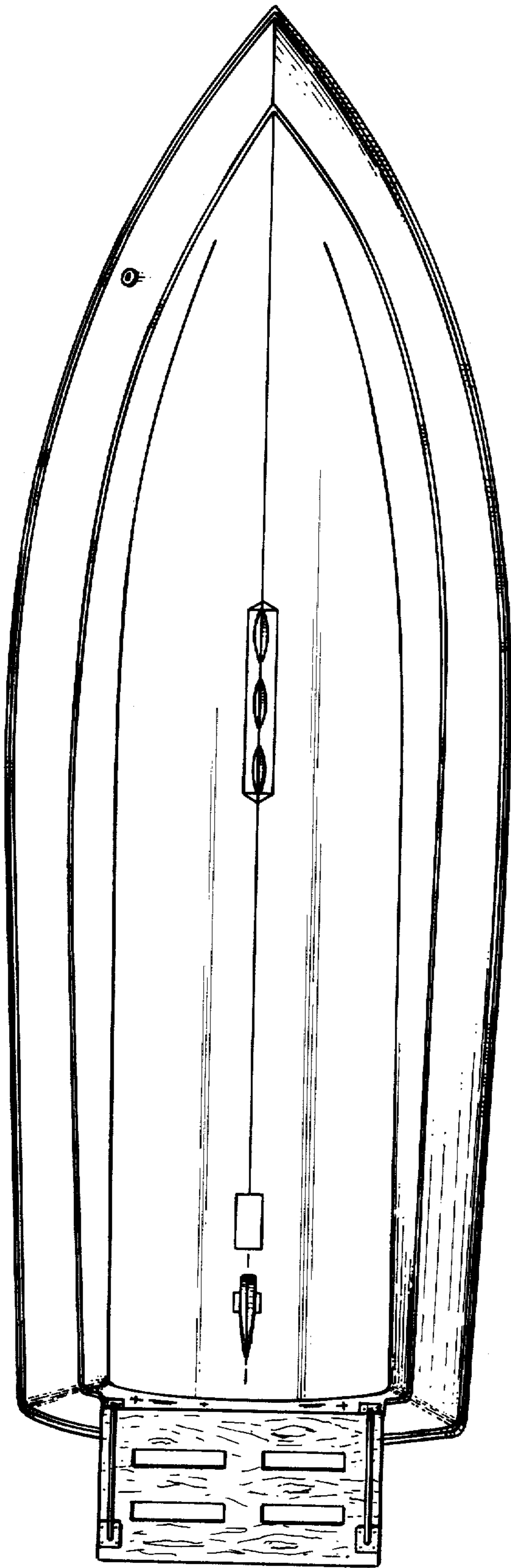


FIG. 5

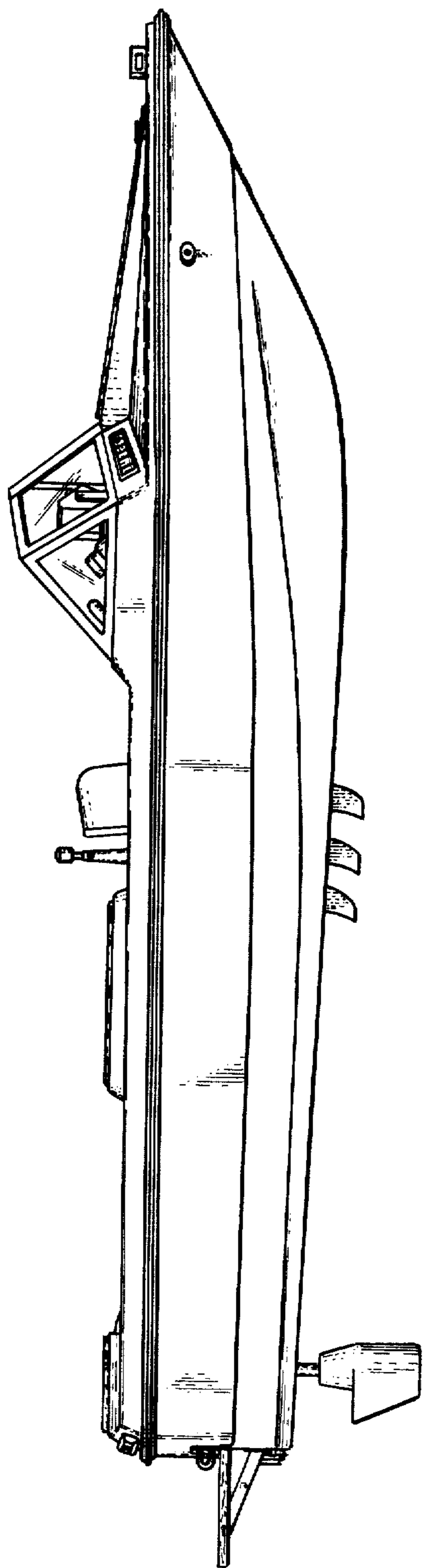


FIG. 6

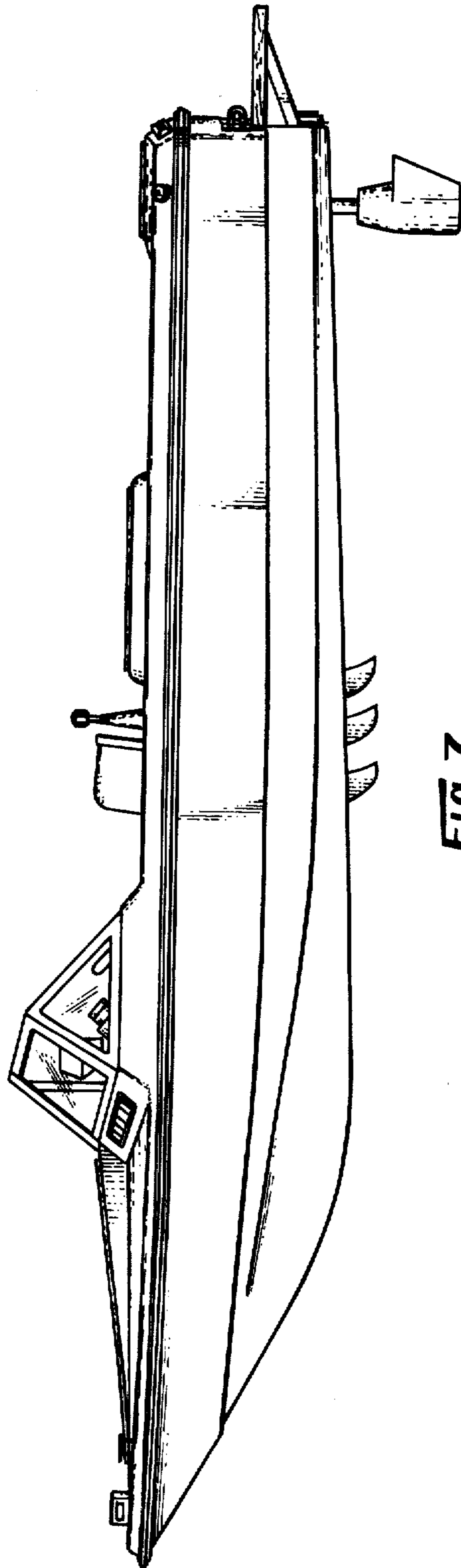


FIG. 7