

[54] MOBILE SELF-POWERED HYDRAULIC LIFT

[75] Inventors: Rallie P. Rallis; Richard E. Cullity, both of Los Angeles County; Lyle R. Tamplin, Orange County, all of Calif.

[73] Assignee: Mark Industries, Carson, Calif.

[**] Term: 14 Years

[21] Appl. No.: 117,255

[22] Filed: Jan. 31, 1980

Related U.S. Application Data

[63] Continuation of Ser. No. 880,300, Feb. 22, 1978, abandoned.

[51] Int. Cl. D12-05

[52] U.S. Cl. D34/34

[58] Field of Search D12/57, 56; 182/2; 187/8.41, 9 E, 10

[56] References Cited

U.S. PATENT DOCUMENTS

3,776,367	12/1973	Grove	182/2
3,861,498	1/1975	Grove	182/2
4,039,094	8/1977	Grove	182/2

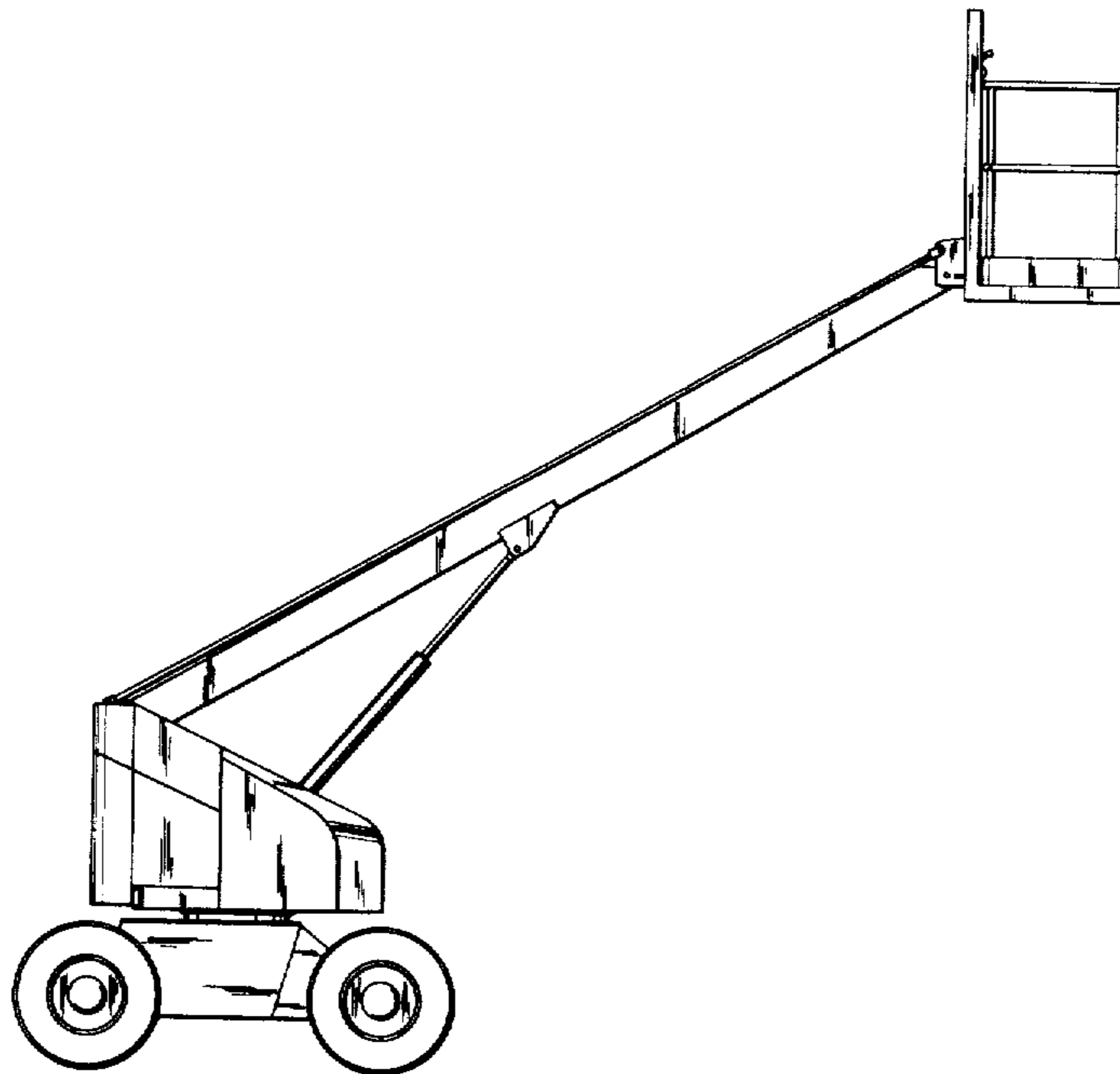
Primary Examiner—James M. Gandy
Attorney, Agent, or Firm—Robert R. Thornton

[57] CLAIM

The ornamental design for a mobile self-powered hydraulic lift, as shown and described.

DESCRIPTION

FIG. 1 is a right side elevational view of a mobile self-powered hydraulic lift showing our new design; FIG. 2 is a left side elevational view thereof; FIG. 3 is a top plan view thereof; FIG. 4 is a front elevational view thereof; and FIG. 5 is a rear elevational view thereof.



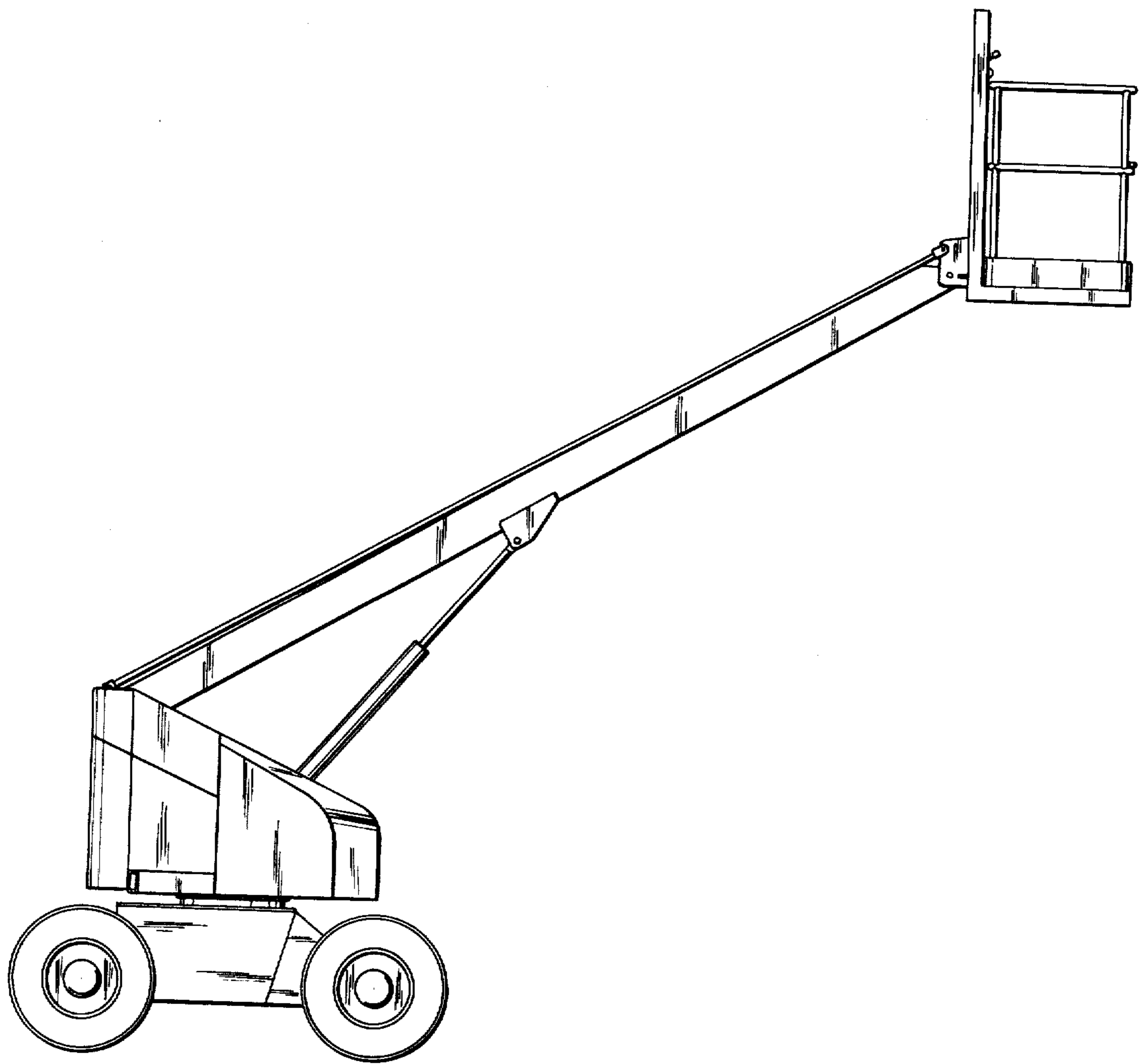


Fig. 1

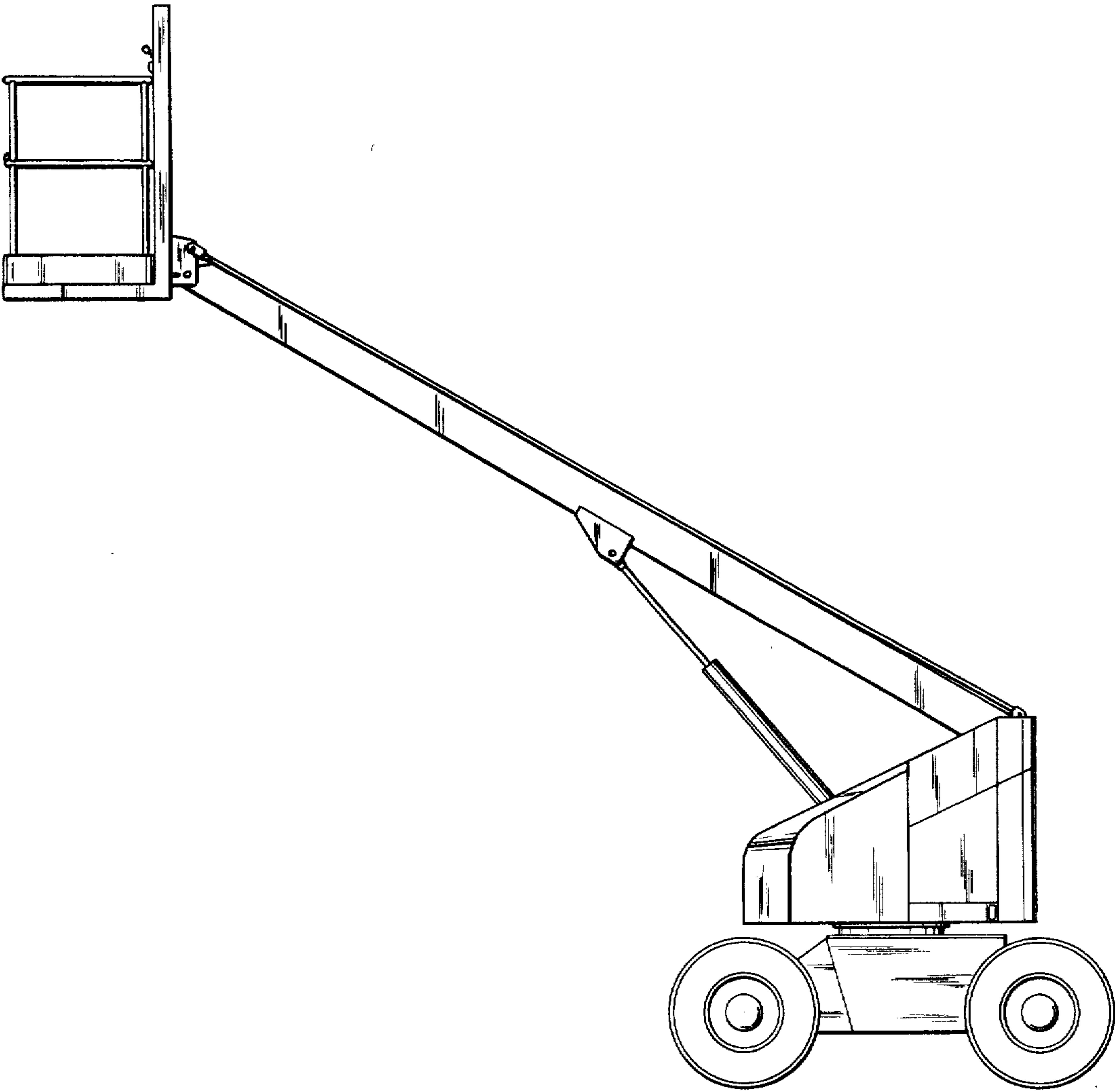


Fig. 2

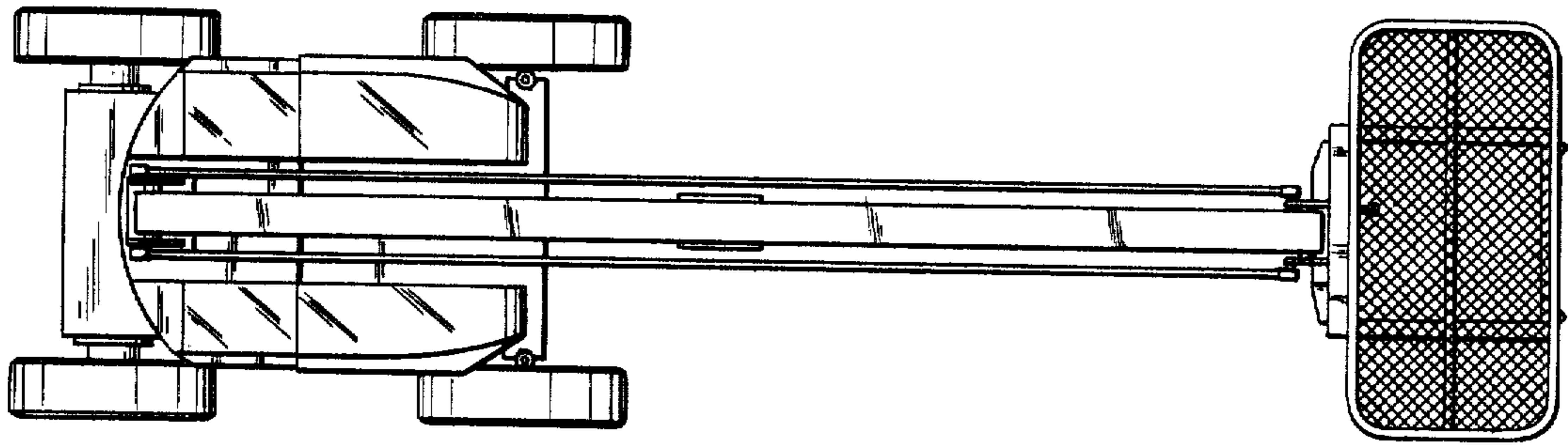


Fig. 3

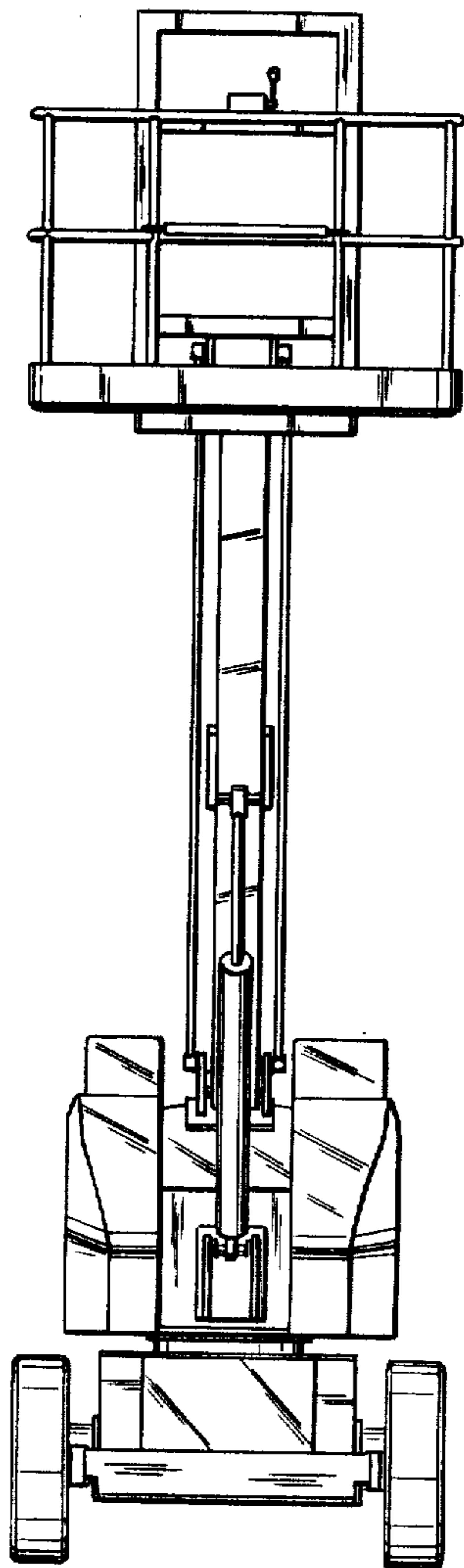


Fig. 4

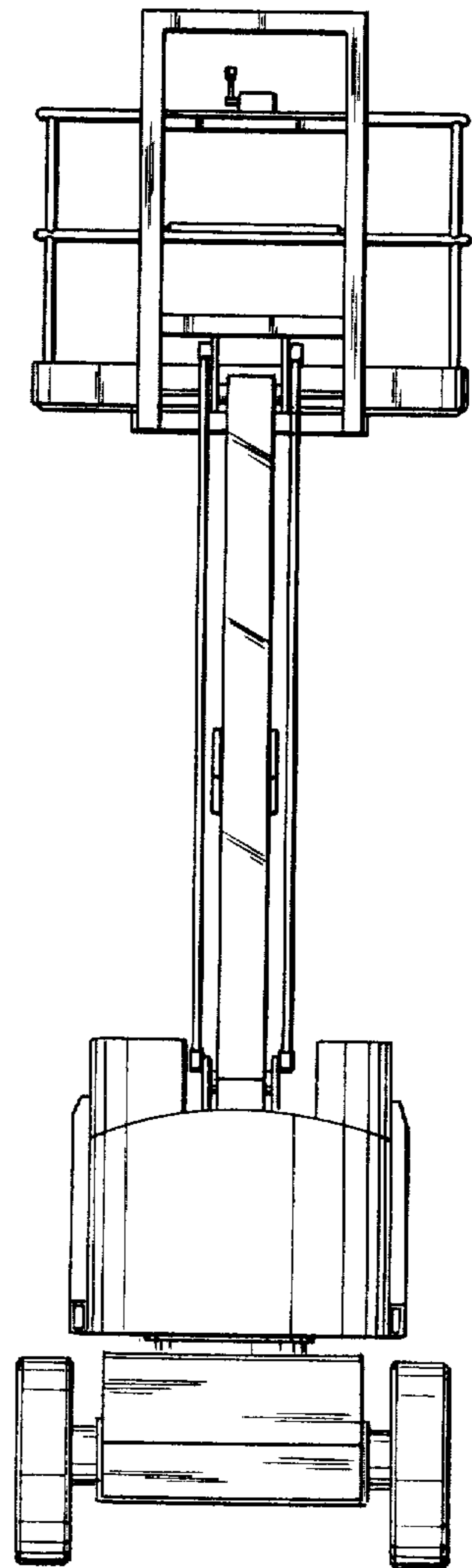


Fig. 5