

[54] **REMOTE CONTROLLED FORK TRUCK**

[75] Inventor: **Olof H. Lindfors**, Gothenburg,
Sweden

[73] Assignee: **Aktiebolaget Volvo**, Gothenburg,
Sweden

[**] Term: **14 Years**

[21] Appl. No.: **963,568**

[22] Filed: **Nov. 24, 1978**

[30] **Foreign Application Priority Data**

May 25, 1978 [SE] Sweden 78-1361

[51] Int. Cl. **D12-05**

[52] U.S. Cl. **D34/34**

[58] Field of Search D12/57, 56; 254/2 R,
254/2 B, 2 C; 187/9 R; 280/43.12

[56] **References Cited**

PUBLICATIONS

Automatic Dispatching Towveyors & Overhead Tow
Conveyors Catalog, p. 19, Remote Controlled Trucks,
lower right side of page.

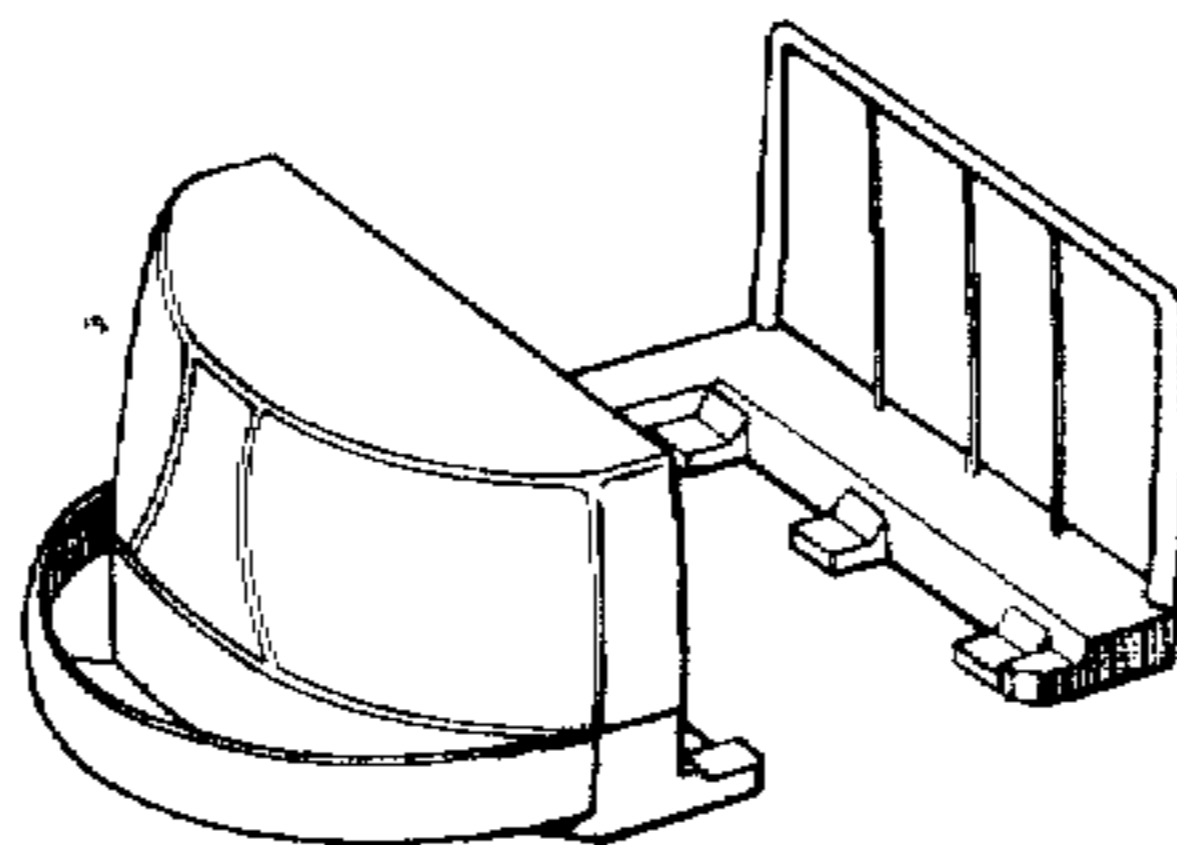
Primary Examiner—James M. Gandy
Attorney, Agent, or Firm—Young & Thompson

[57] **CLAIM**

The ornamental design for a remote controlled fork
truck, as shown.

DESCRIPTION

FIG. 1 is a top front perspective view of a remote con-
trolled fork truck showing my new design; and
FIG. 2 is a top rear perspective view thereof.



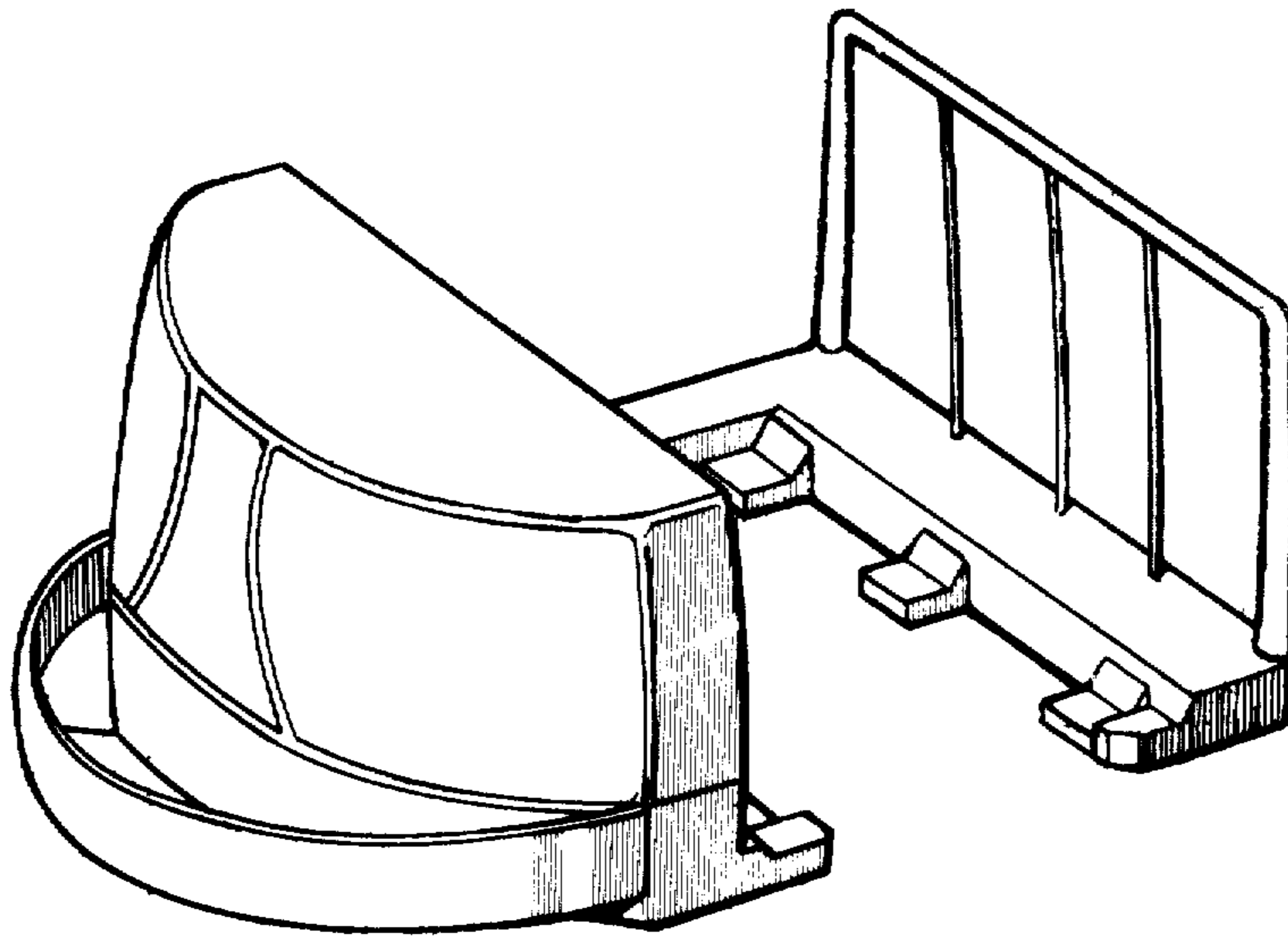


FIG. 1

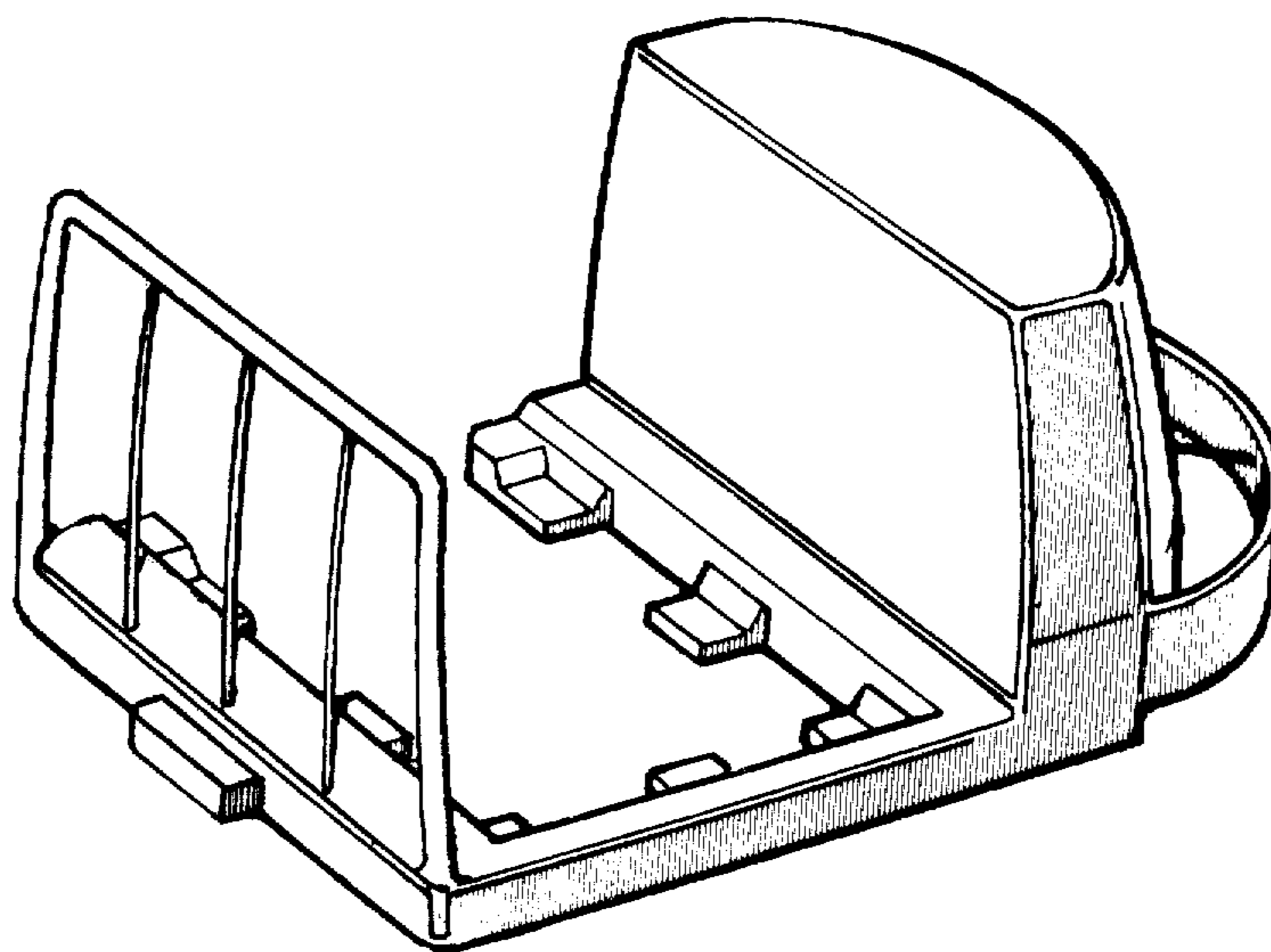


FIG. 2