

[54] HAND CART

[75] Inventors: Donald J. Gordon, Rockwood; Frank H. Johnson, Cambridge, both of Canada; George L. Schick, Easton, Conn.; J. David Smart, Cambridge, Canada

[73] Assignee: Slater Steel Industries Limited, Ontario, Canada

[**] Term: 14 Years

[21] Appl. No.: 11,371

[22] Filed: Feb. 12, 1979

[30] Foreign Application Priority Data

Dec. 21, 1978 [CA] Canada 2112781

[51] Int. Cl. D12-02

[52] U.S. Cl. D34/24

[58] Field of Search D12/24, 32, 34; 280/47.18, 47.26, 47.27, 47.28, 47.34

[56] References Cited

U.S. PATENT DOCUMENTS

- D. 175,069 7/1955 Gandola D12/32
- 3,706,461 12/1972 Devol 280/47.26
- 3,888,501 6/1975 McChesney D12/24
- 3,950,004 4/1976 Olsson 280/47.18

OTHER PUBLICATIONS

Julius Fowl Manufacturer Catalogue, p. 110, Machine Shop Barrow, top of page.

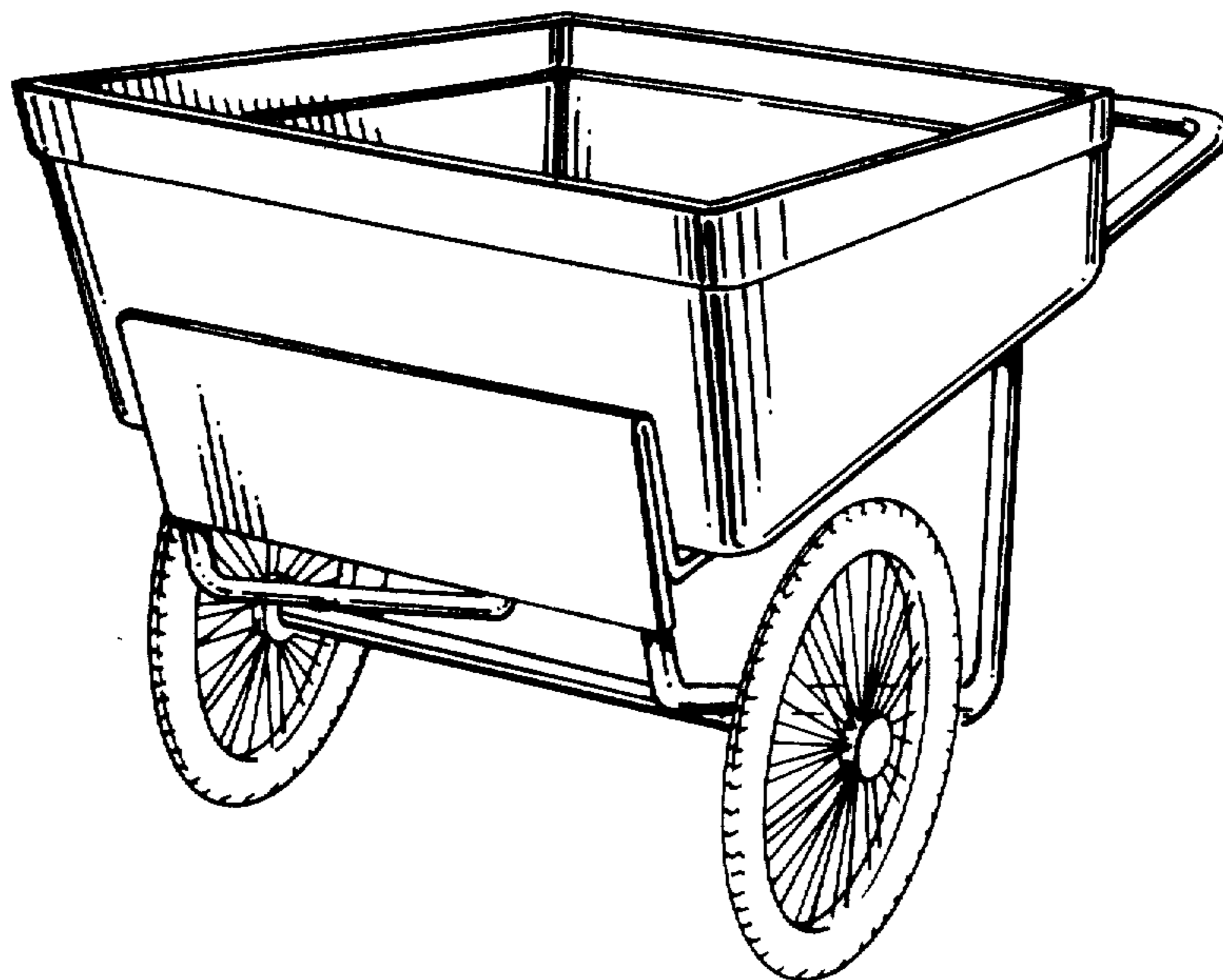
Primary Examiner—James M. Gandy
Attorney, Agent, or Firm—Burgess, Ryan & Wayne

[57] CLAIM

The ornamental design for a hand cart, substantially as shown and described.

DESCRIPTION

FIG. 1 is a perspective view of a hand cart showing our new design;
 FIG. 2 is a top plan view thereof;
 FIG. 3 is a bottom plan view thereof;
 FIG. 4 is a rear elevational view thereof;
 FIG. 5 is a front elevational view thereof;
 FIG. 6 is a left side elevational view thereof;
 FIG. 7 is a right side elevational view thereof;
 FIG. 8 is a perspective view thereof with the container omitted for convenience of illustration;
 FIG. 9 is a perspective view corresponding to FIG. 8 with a log retainer added;
 FIG. 10 is a side elevational view showing a second embodiment of the container, it being understood that the difference resides in the continuous lip around the top edge thereof as best illustrated in FIG. 11;
 FIG. 11 is a fragmentary enlarged cross-sectional view taken along line 11—11 in FIG. 10; and
 FIG. 12 is a further front elevational view.



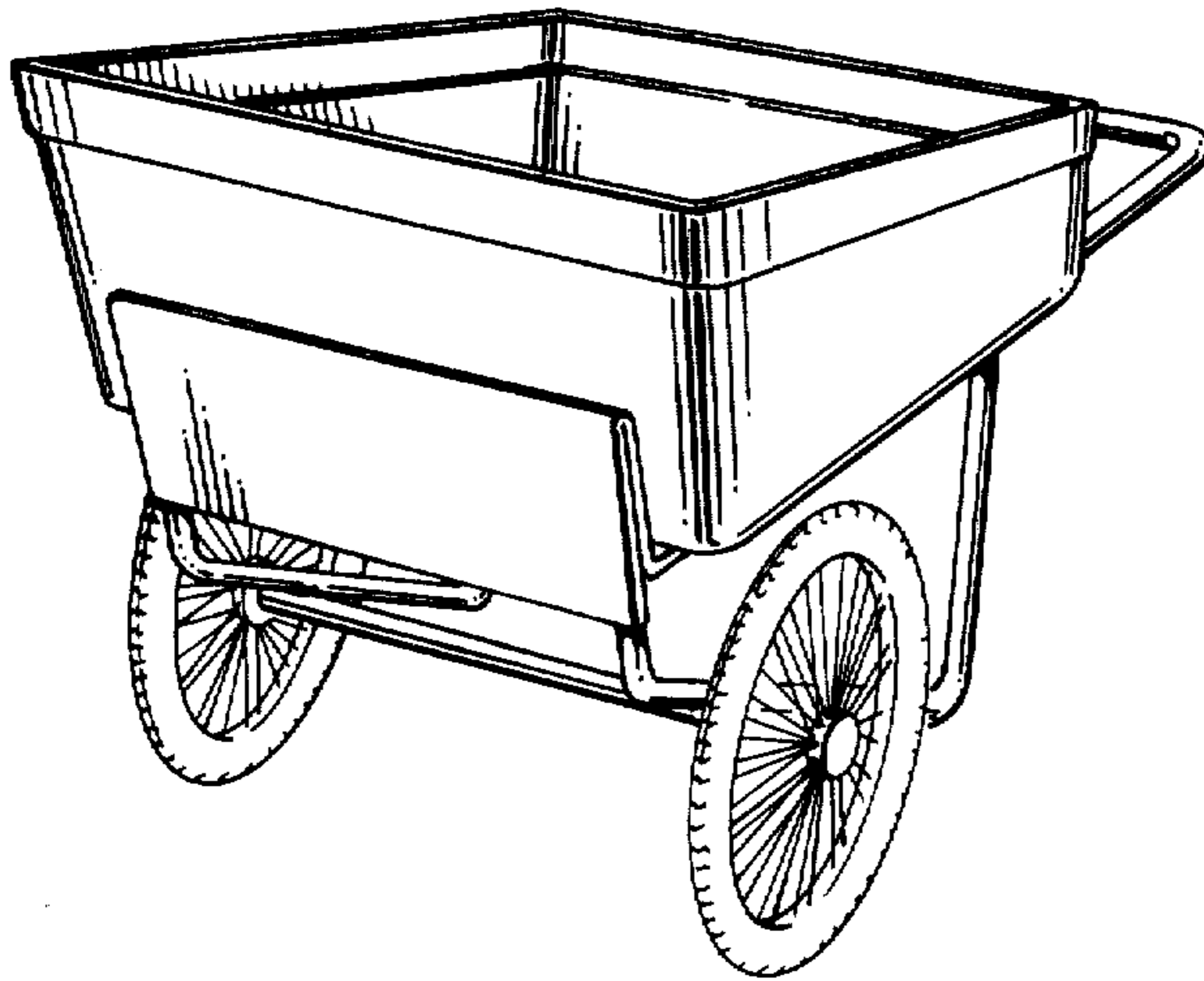


FIG. 1

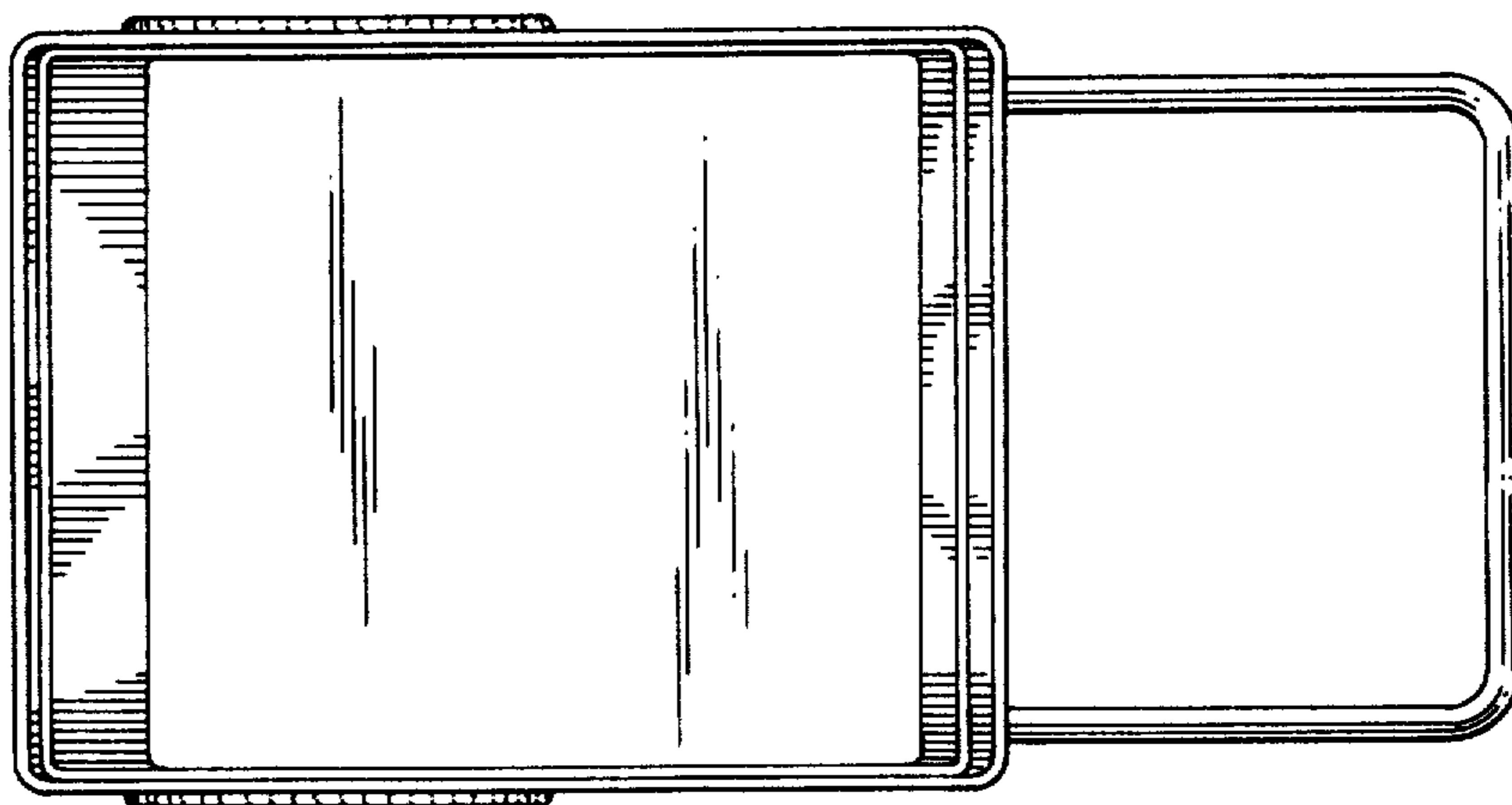


FIG. 2

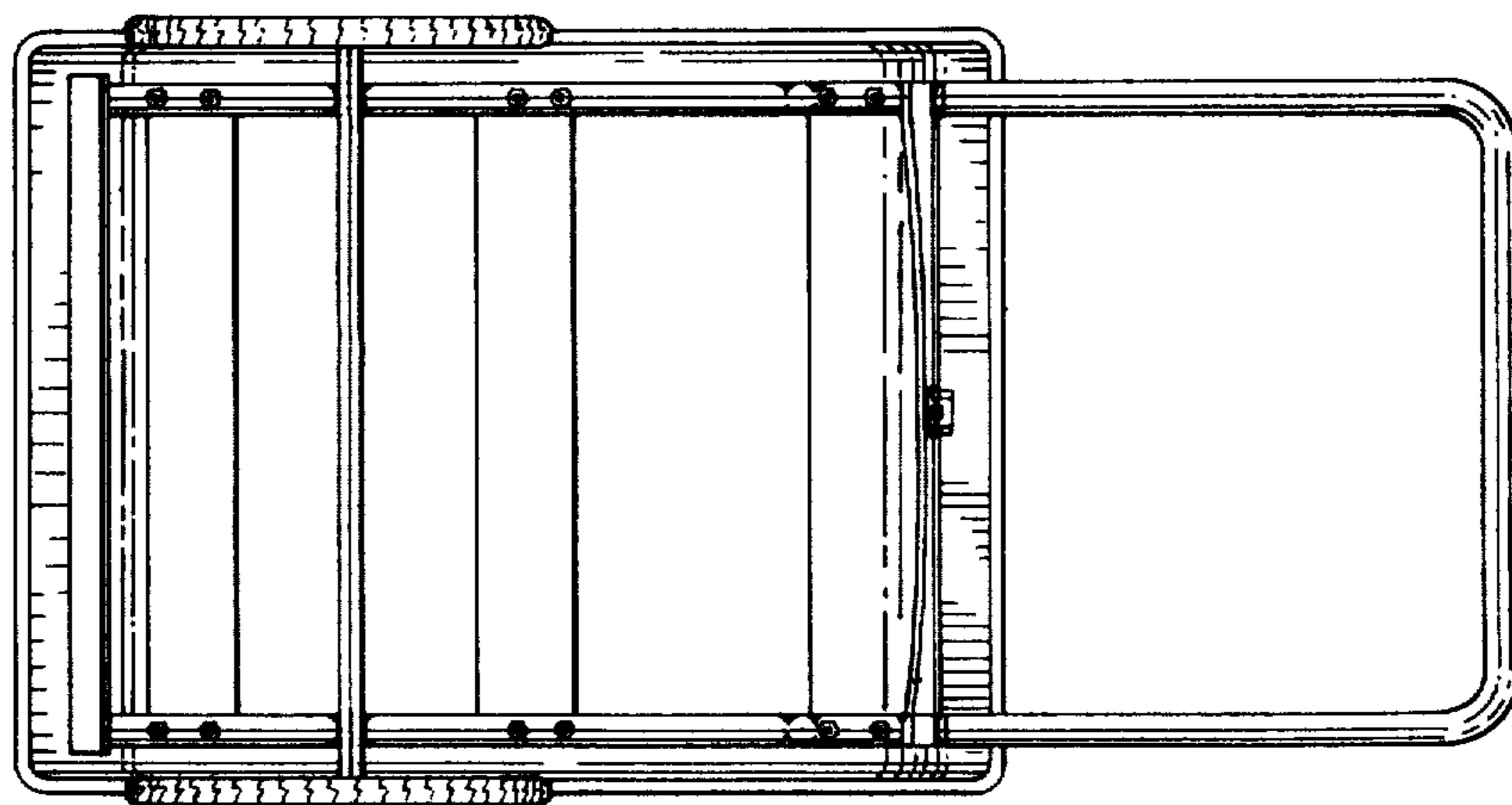


FIG. 3

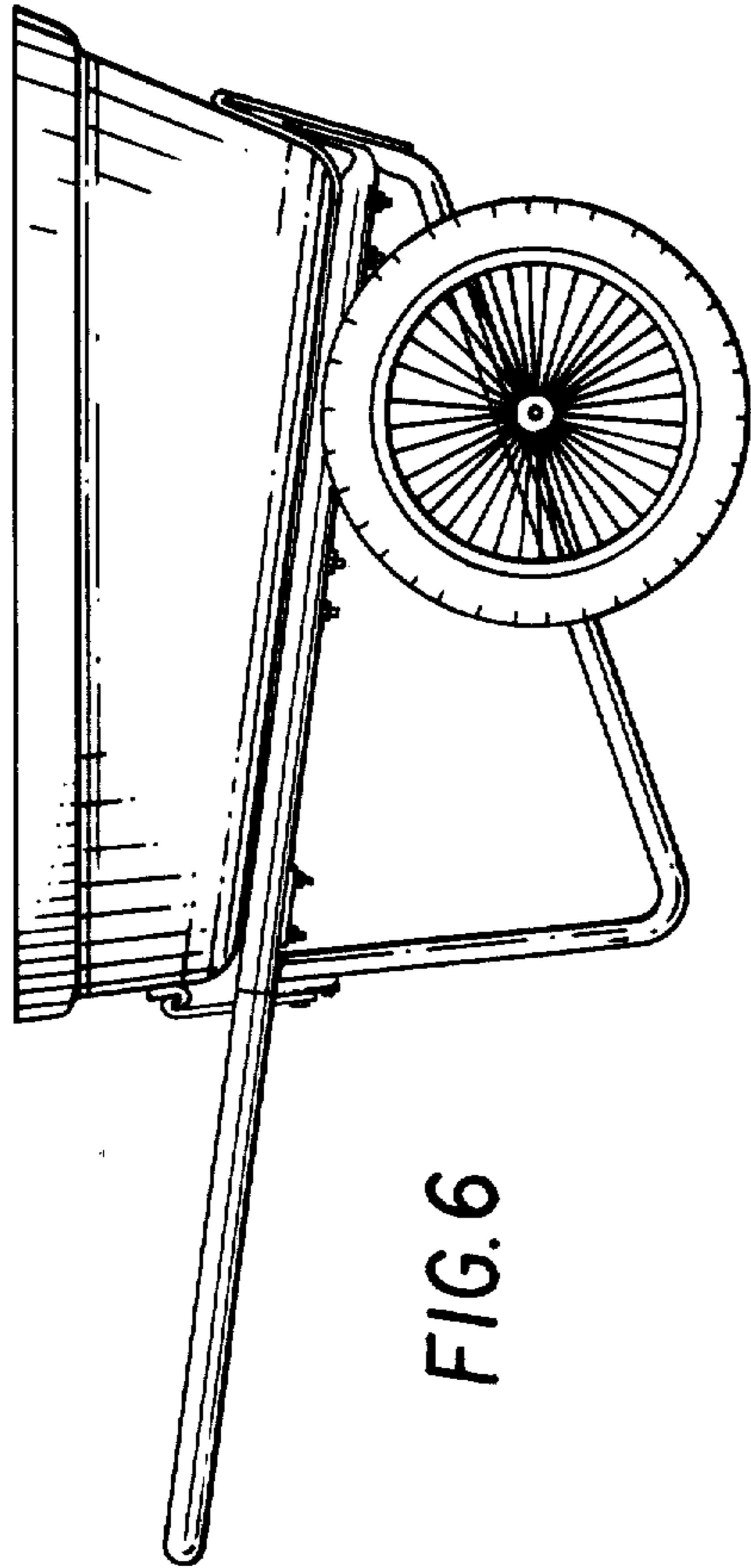


FIG. 6

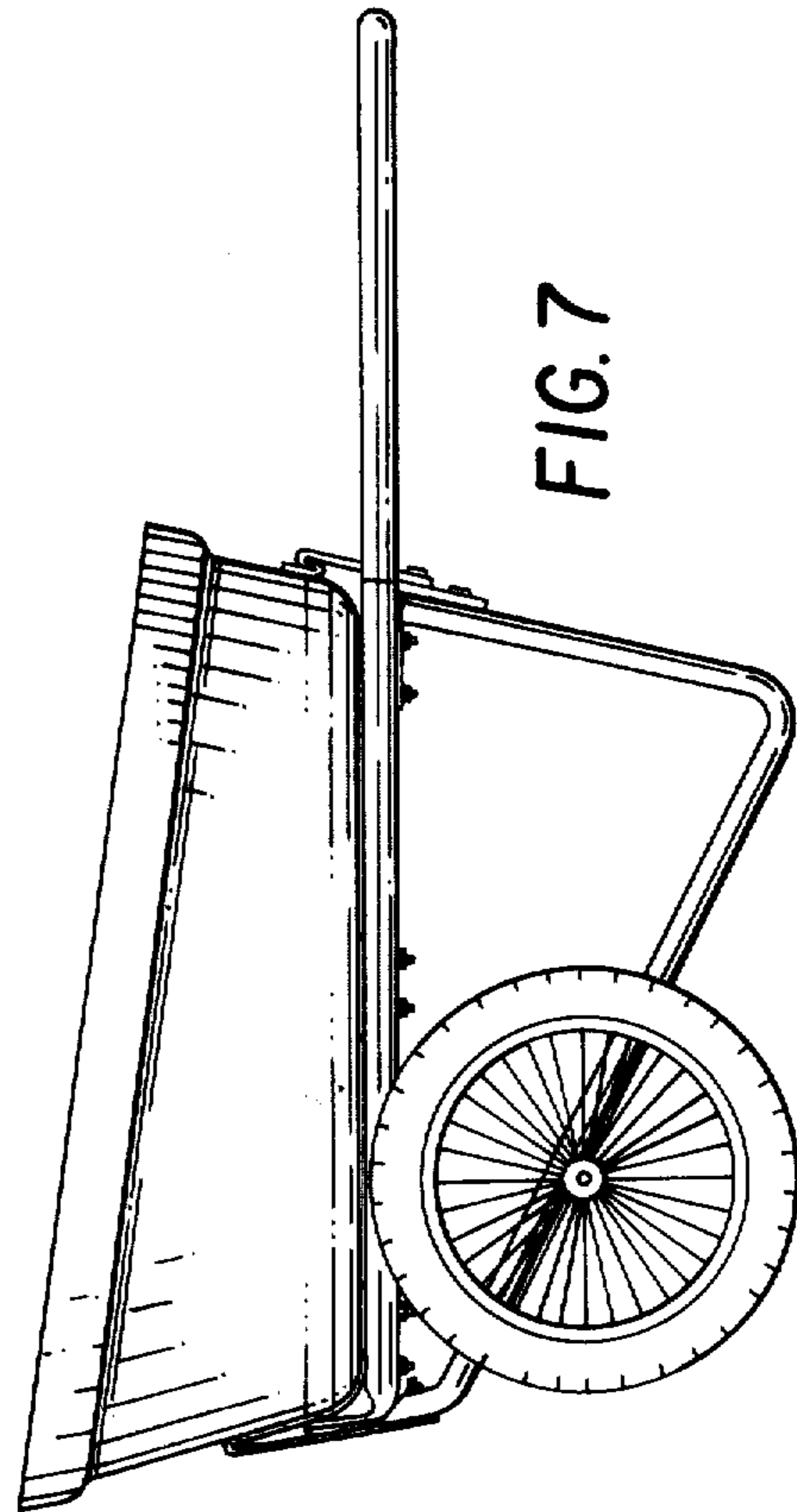


FIG. 7

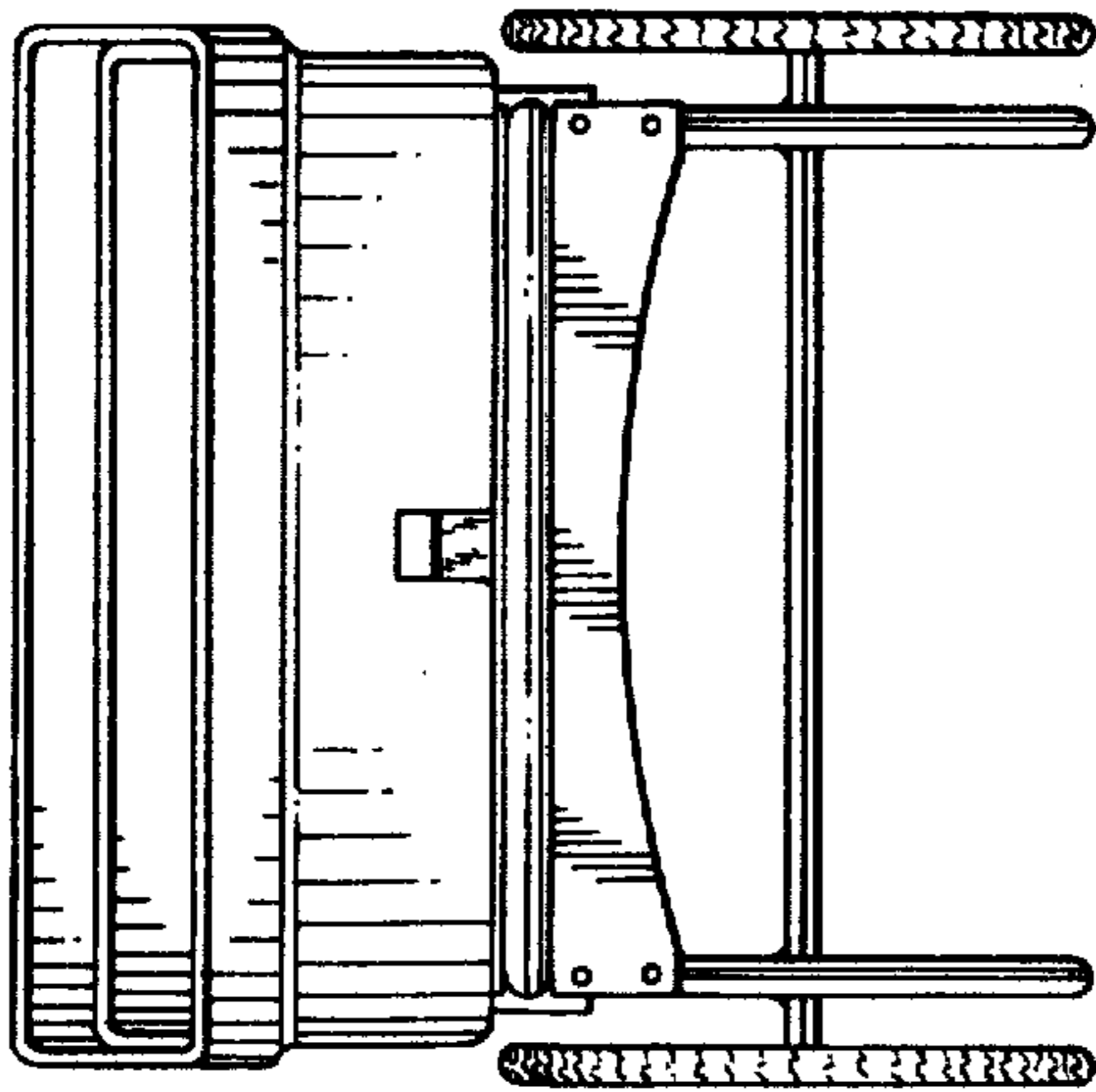


FIG. 4

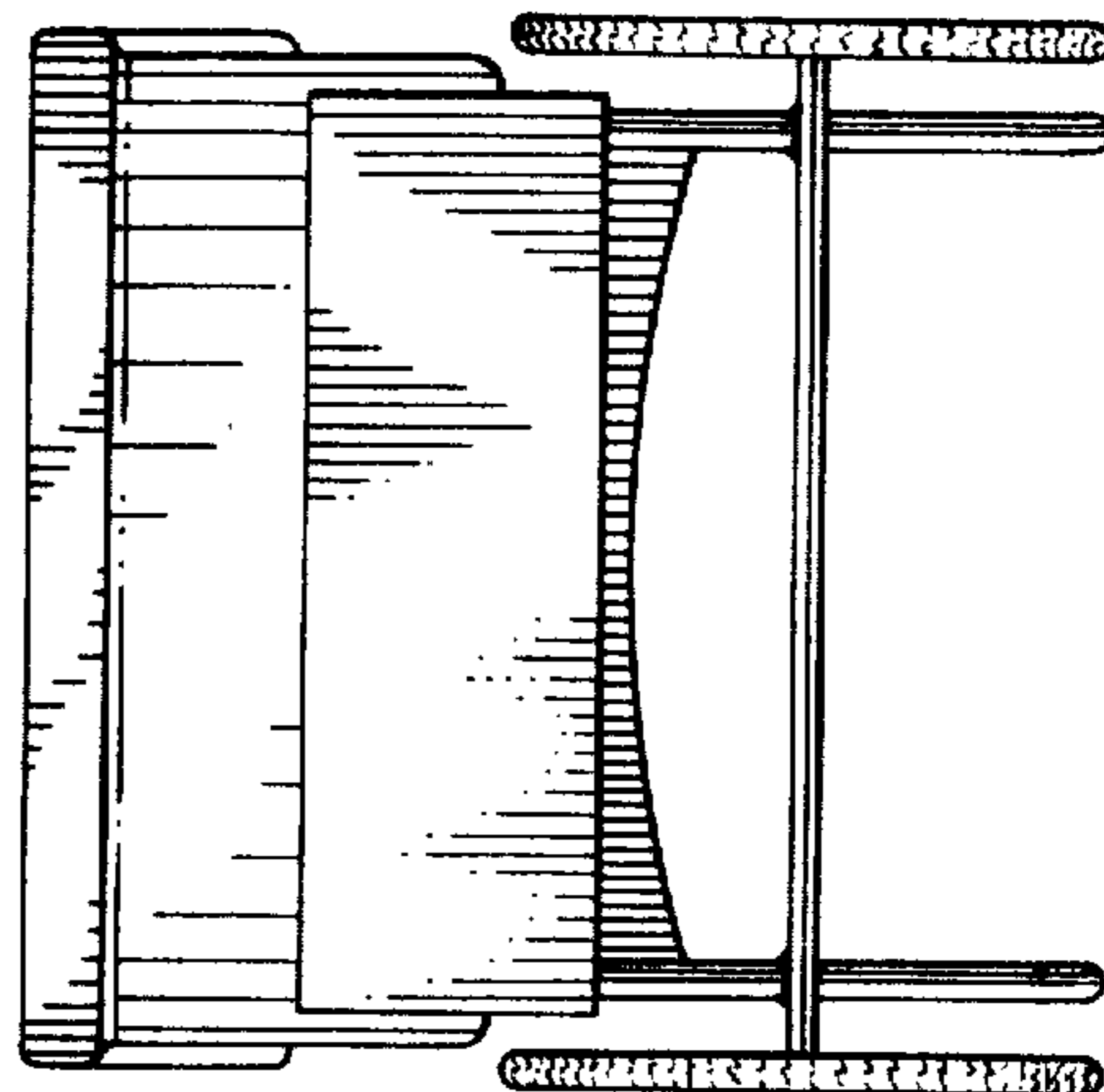


FIG. 5

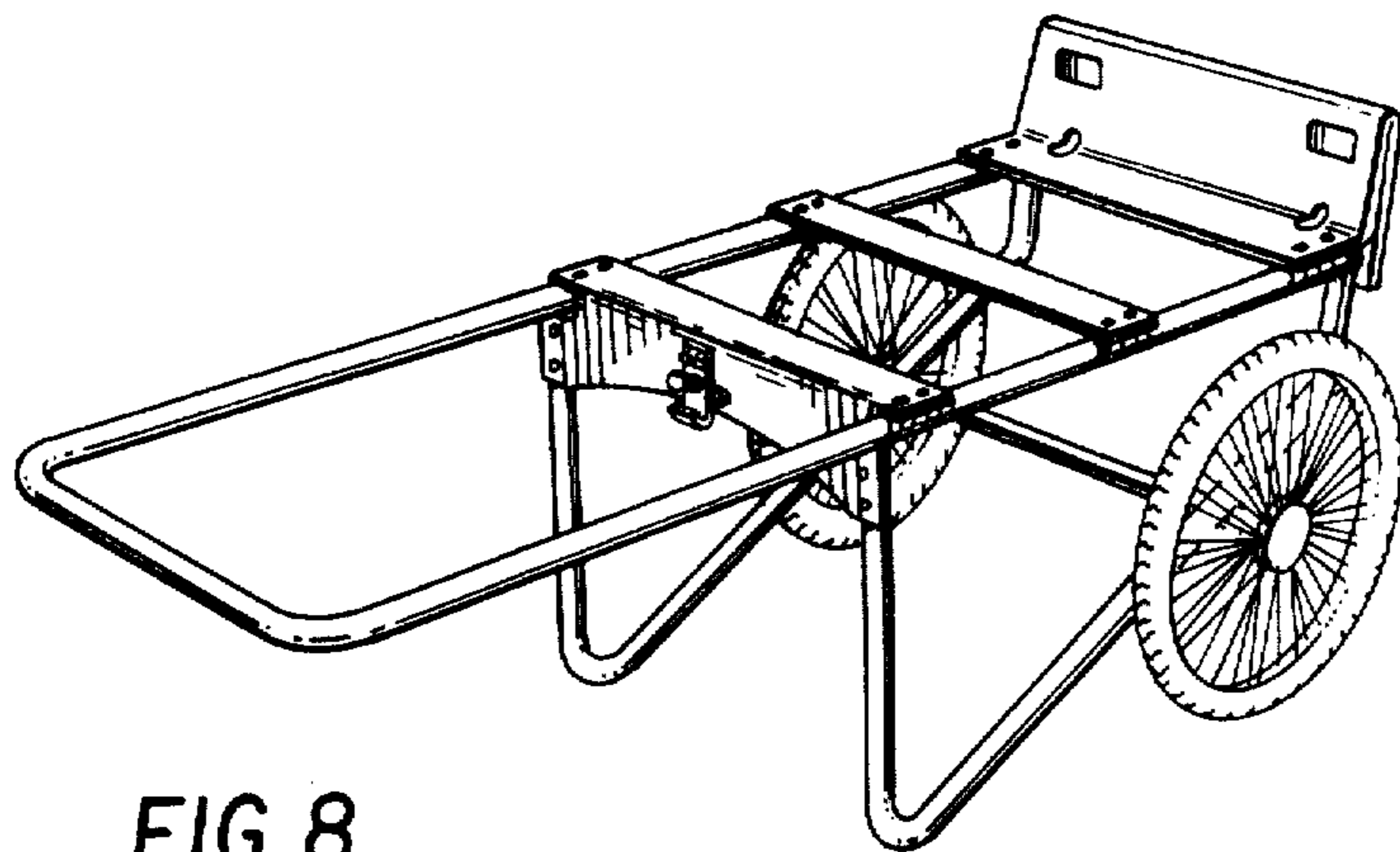


FIG. 8

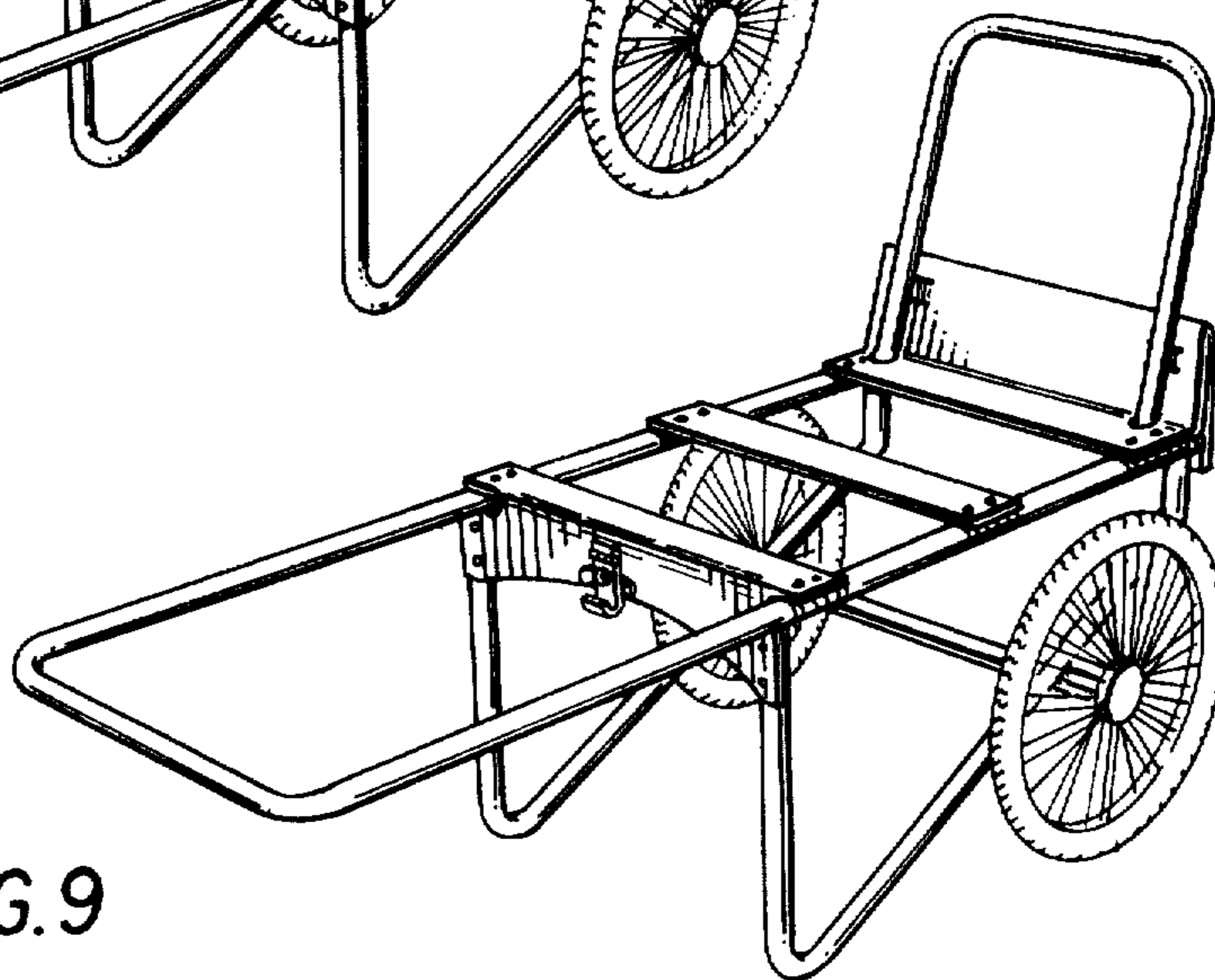


FIG. 9

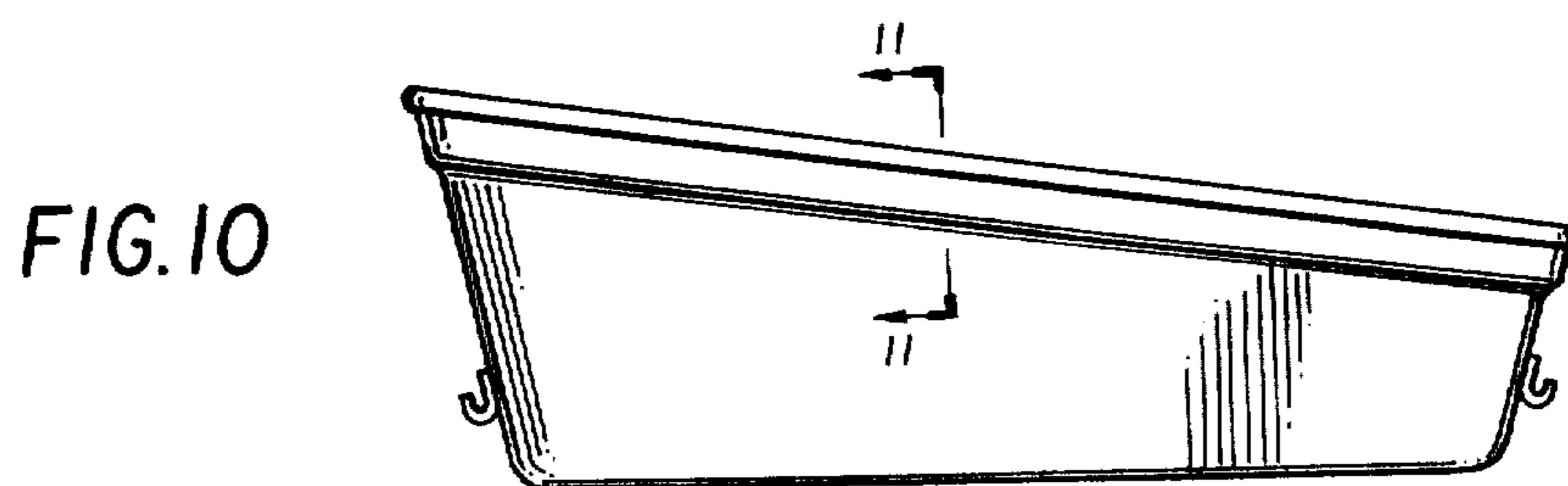


FIG. 10

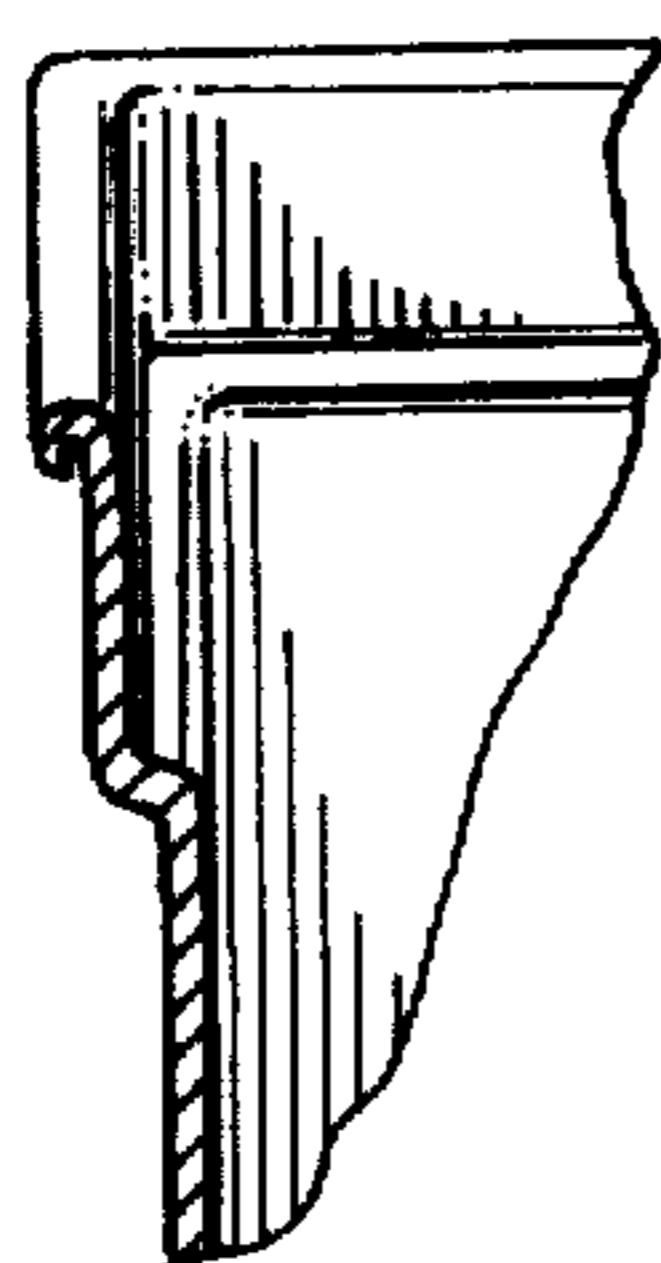


FIG. 11

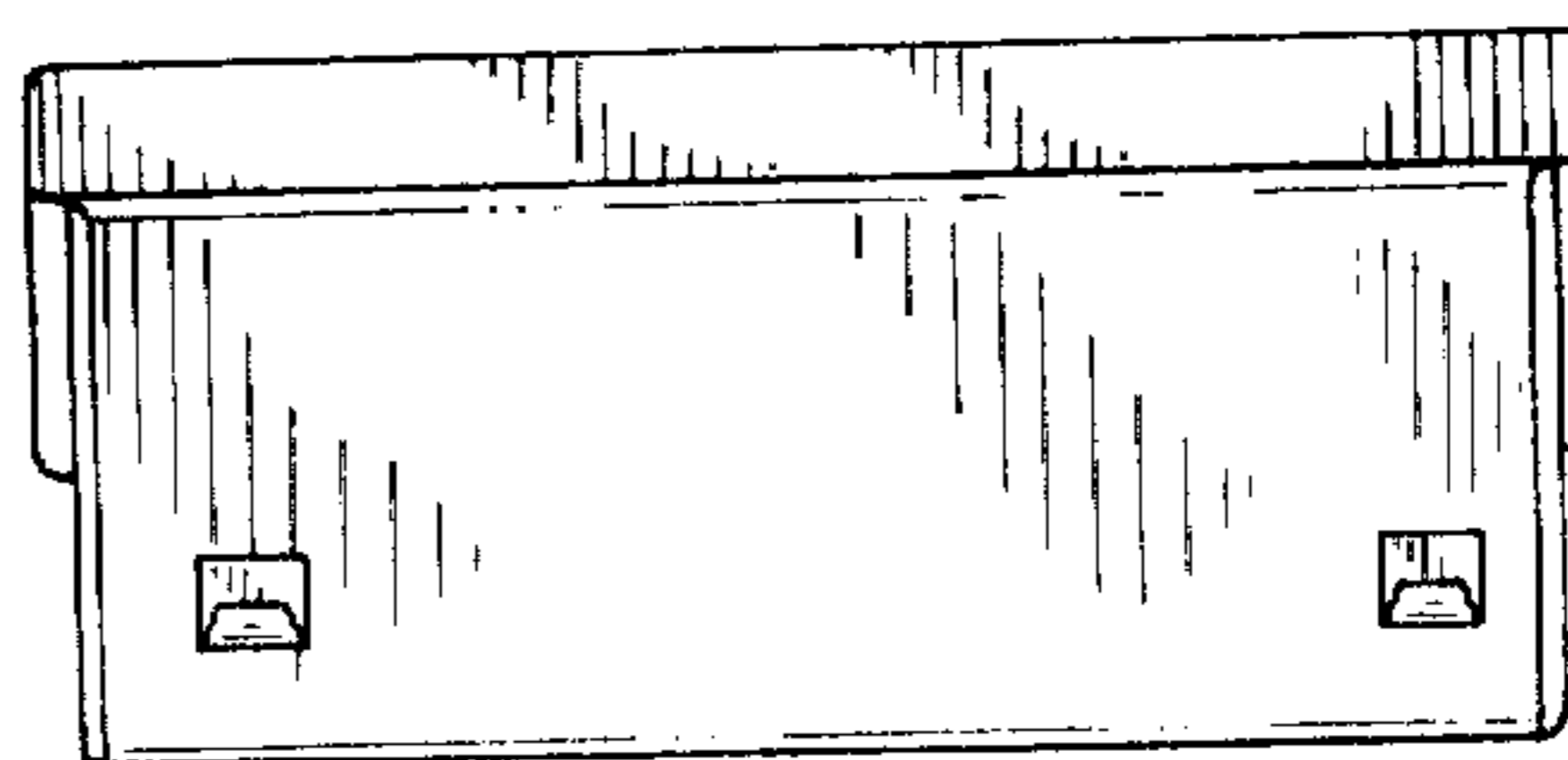


FIG. 12