

[54] NECKLACE OR SIMILAR ARTICLE

[76] Inventor: Josef J. Barr, 125 Worth Ave., Palm Beach, Fla. 33480

[**] Term: 14 Years

[21] Appl. No.: 104,053

[22] Filed: Dec. 17, 1979

[51] Int. Cl. D11-01

[52] U.S. Cl. D11/7; D11/12; D11/93

[58] Field of Search D11/1-7, D11/9, 10, 12-16; 63/1-11; 59/80-82

[56] References Cited

U.S. PATENT DOCUMENTS

D. 9,700	1/1877	Bean	D11/12
1,793,511	2/1931	Roy	59/80
2,650,470	9/1953	Sennholtz	D11/93 X
4,170,871	10/1979	Vanover et al.	59/82

OTHER PUBLICATIONS

Harper's Bazaar, Nov. 1952, p. 14—"Stratton", Bracelet & Earrings at center right.

Primary Examiner—Louis S. Zarfes

Attorney, Agent, or Firm—Charles E. Temko

[57] CLAIM

The ornamental design for a necklace or similar article, substantially as shown and described.

DESCRIPTION

FIG. 1 is a front elevational view of a necklace or similar article showing my new design;
 FIG. 2 is a side elevational view thereof as seen from the right hand portion of FIG. 1;
 FIG. 3 is a transverse sectional view thereof as seen from the plane 3—3 in FIG. 1;
 FIG. 4 is a bottom plan view thereof;
 FIG. 5 is a rear elevational view thereof;
 FIG. 6 is an enlarged view in elevation showing the appearance of one individual link forming a part of the design;
 FIG. 7 is a sectional view as seen from the plane 7—7 in FIG. 6;
 FIG. 8 is an enlarged vertical sectional view as seen from the plane 8—8 in FIG. 1;
 FIG. 9 is an enlarged offset sectional view as seen from the plane 9—9 in FIG. 1;
 FIG. 10 is a sectional view as seen from the plane 10—10 in FIG. 9; and
 FIG. 11 is an enlarged sectional view as seen from the plane 11—11 in FIG. 10.

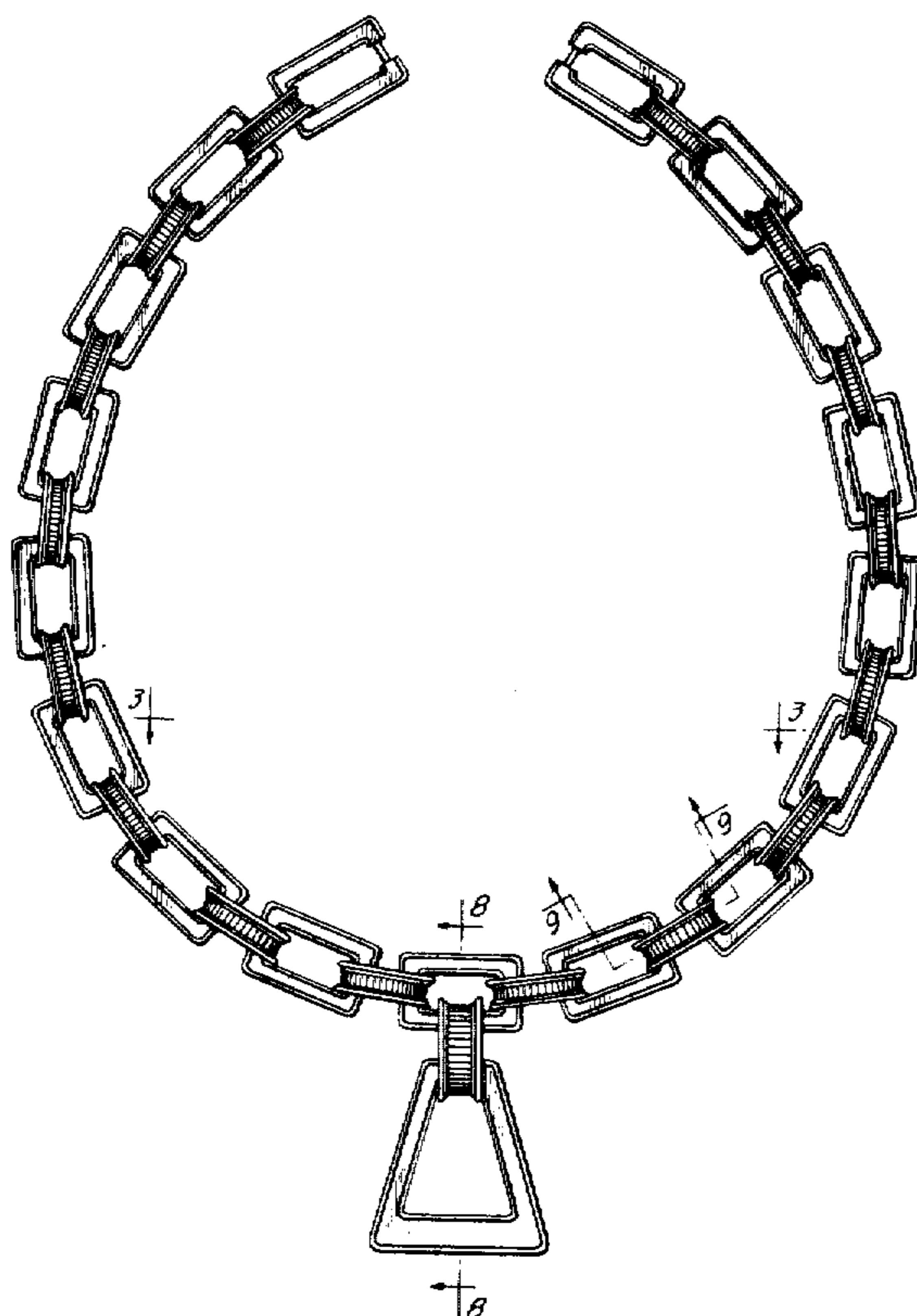


FIG. 1.

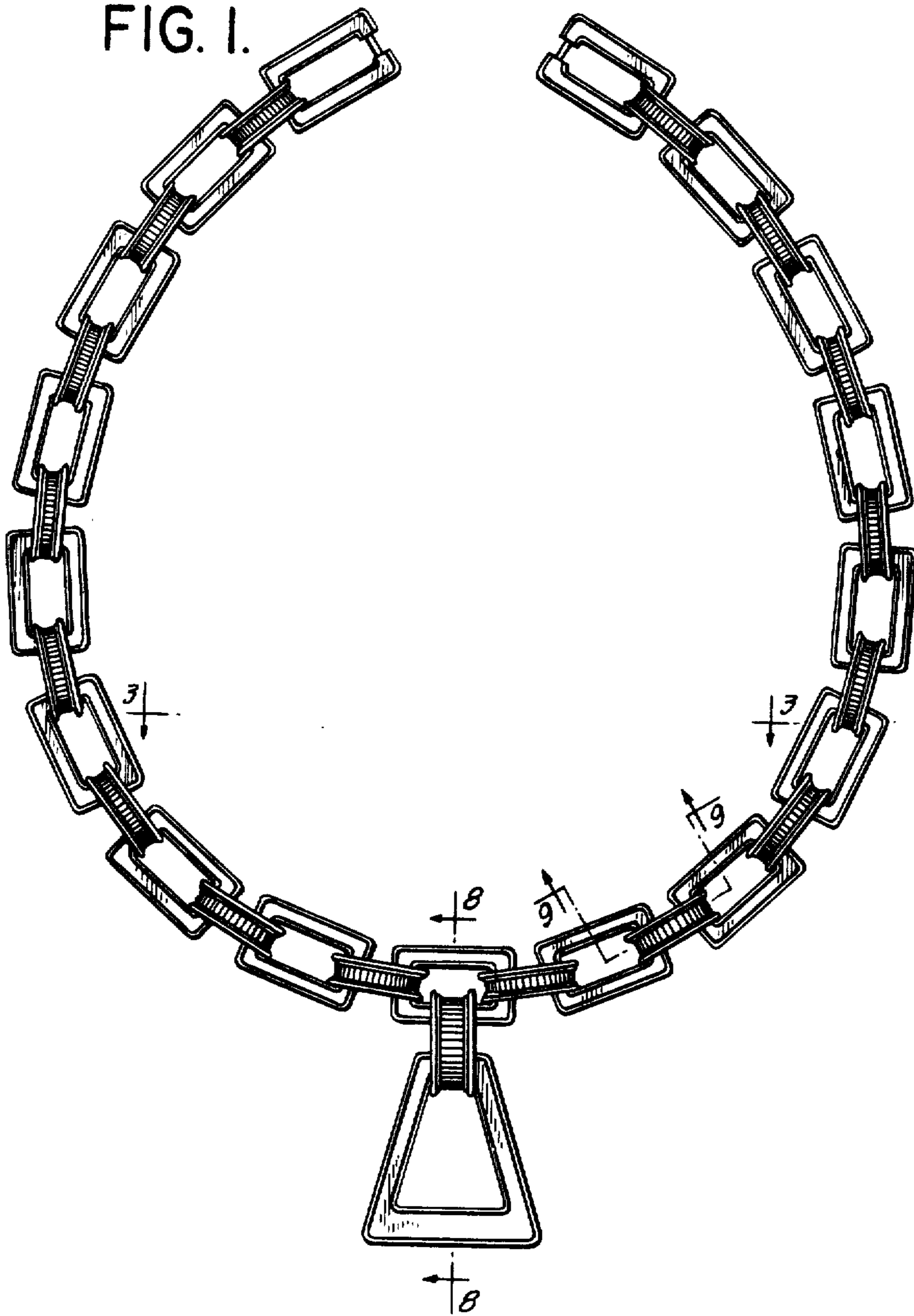


FIG. 2.



FIG. 3.



FIG. 4.



FIG. 5.

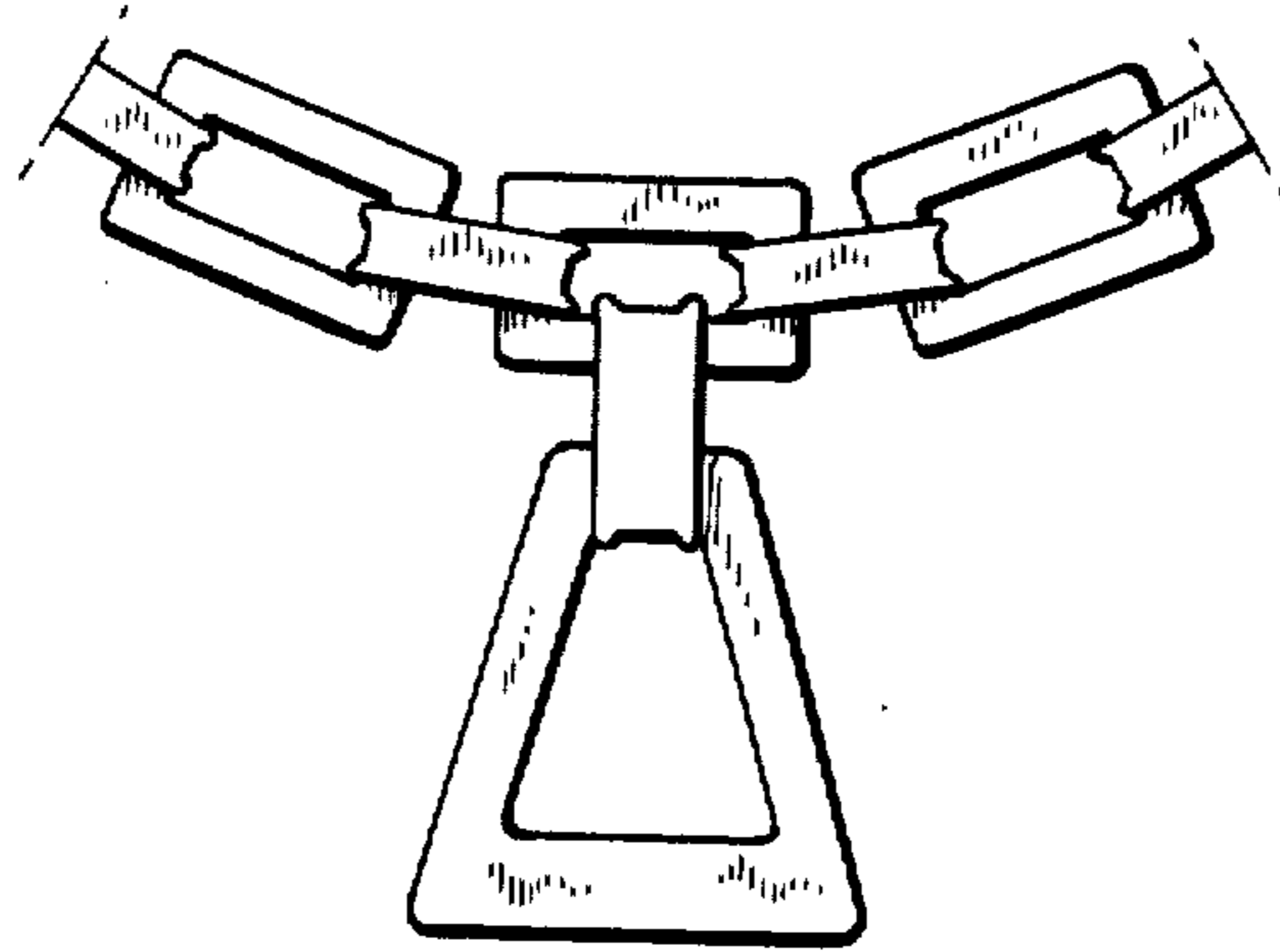


FIG. 8.

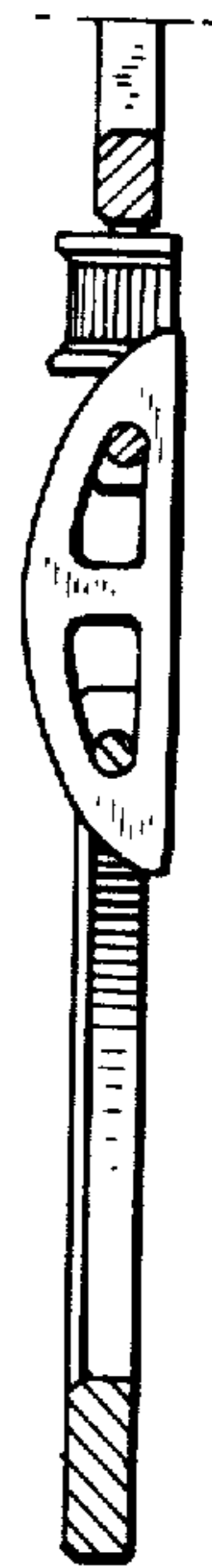


FIG. 6.

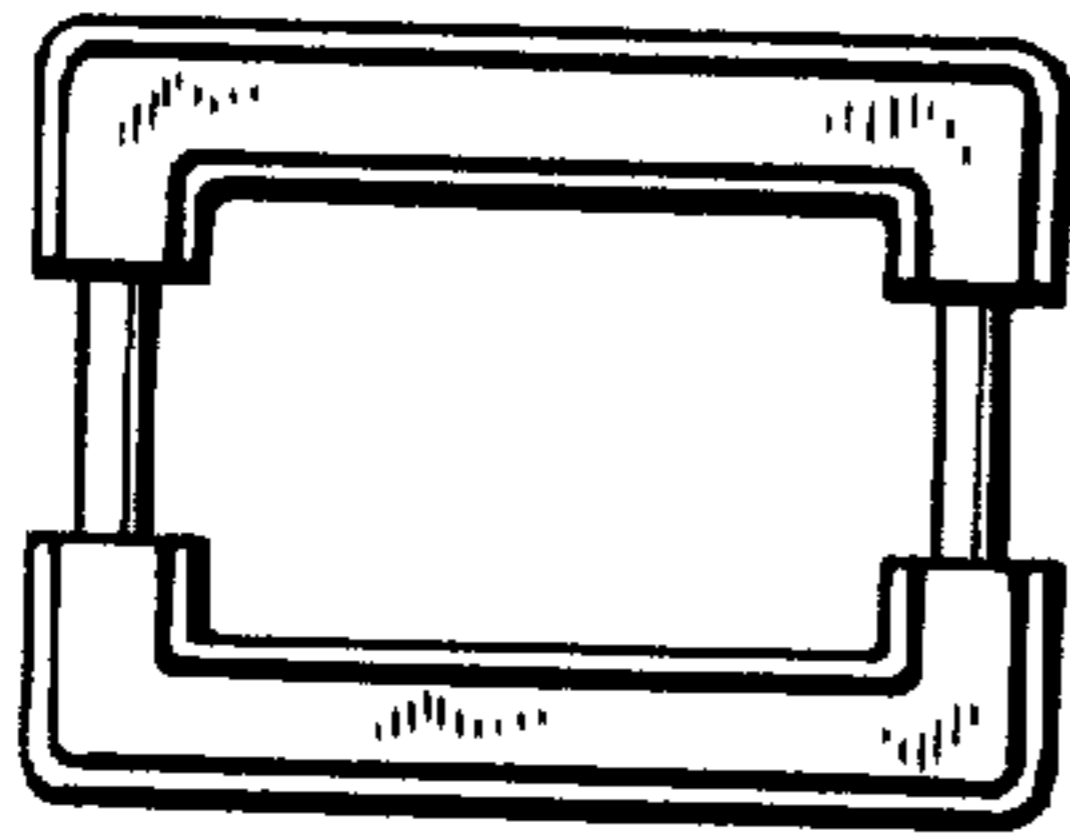


FIG. 7.



FIG. 9.

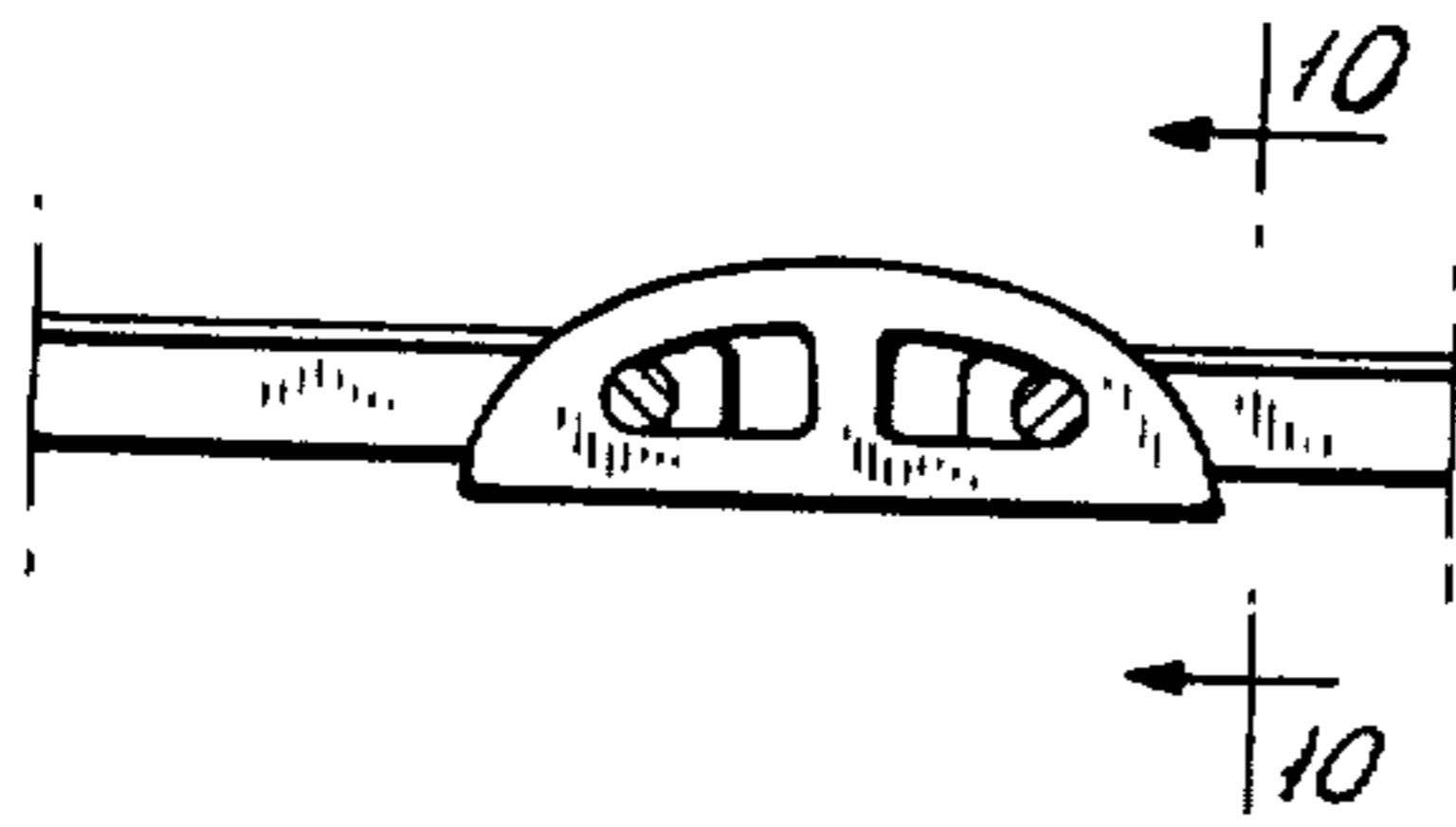


FIG. 10.

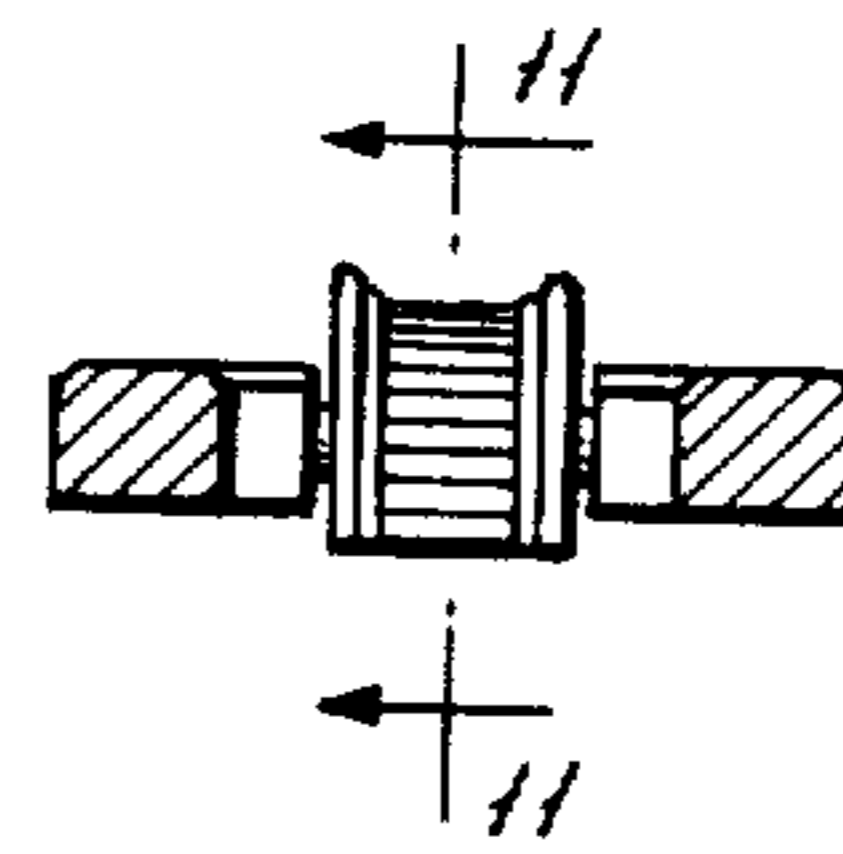


FIG. 11.

