

- [54] SONIC SIGNAL GENERATOR
- [75] Inventor: Leslie Perhacs, Jr., Port Ludlow, Wash.
- [73] Assignee: Proctor & Associates Company, Redmond, Wash.
- [\*\*] Term: 14 Years
- [21] Appl. No.: 44,977
- [22] Filed: Jun. 4, 1979
- [51] Int. Cl. .... D10-05
- [52] U.S. Cl. .... D10/121; D10/106
- [58] Field of Search ..... D10/104, 106, 121; 340/539, 541, 545, 546, 547, 550-555, 561, 562, 565, 567, 568, 571, 572

4,117,462 9/1978 Miller ..... 340/539

OTHER PUBLICATIONS

Sears Roebuck Catalog, Spring & Summer, 1954, p. 811, Door Chime Cover N.

Primary Examiner—Susan J. Lucas  
Attorney, Agent, or Firm—Christensen, O'Connor, Johnson & Kindness

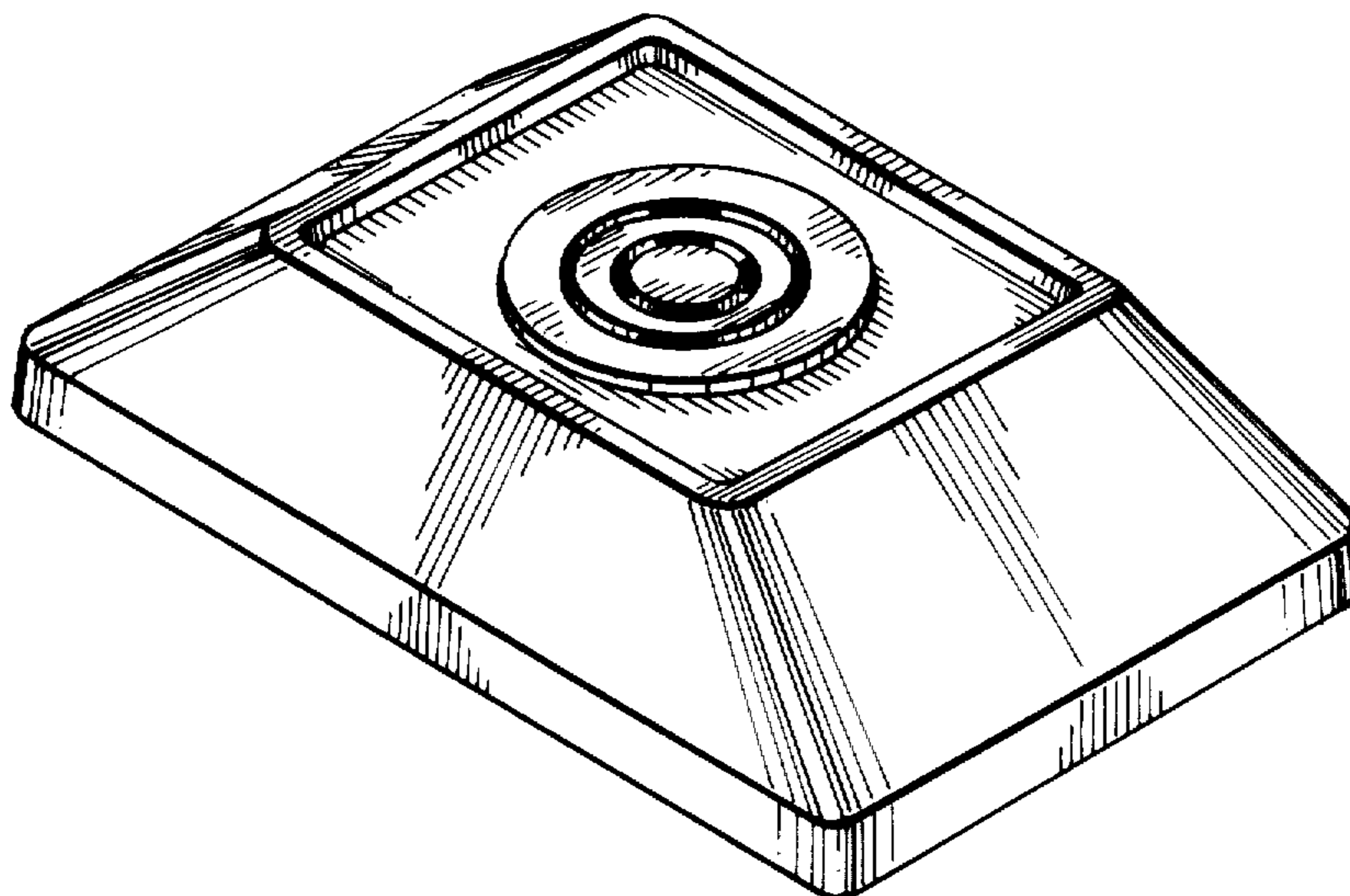
CLAIM

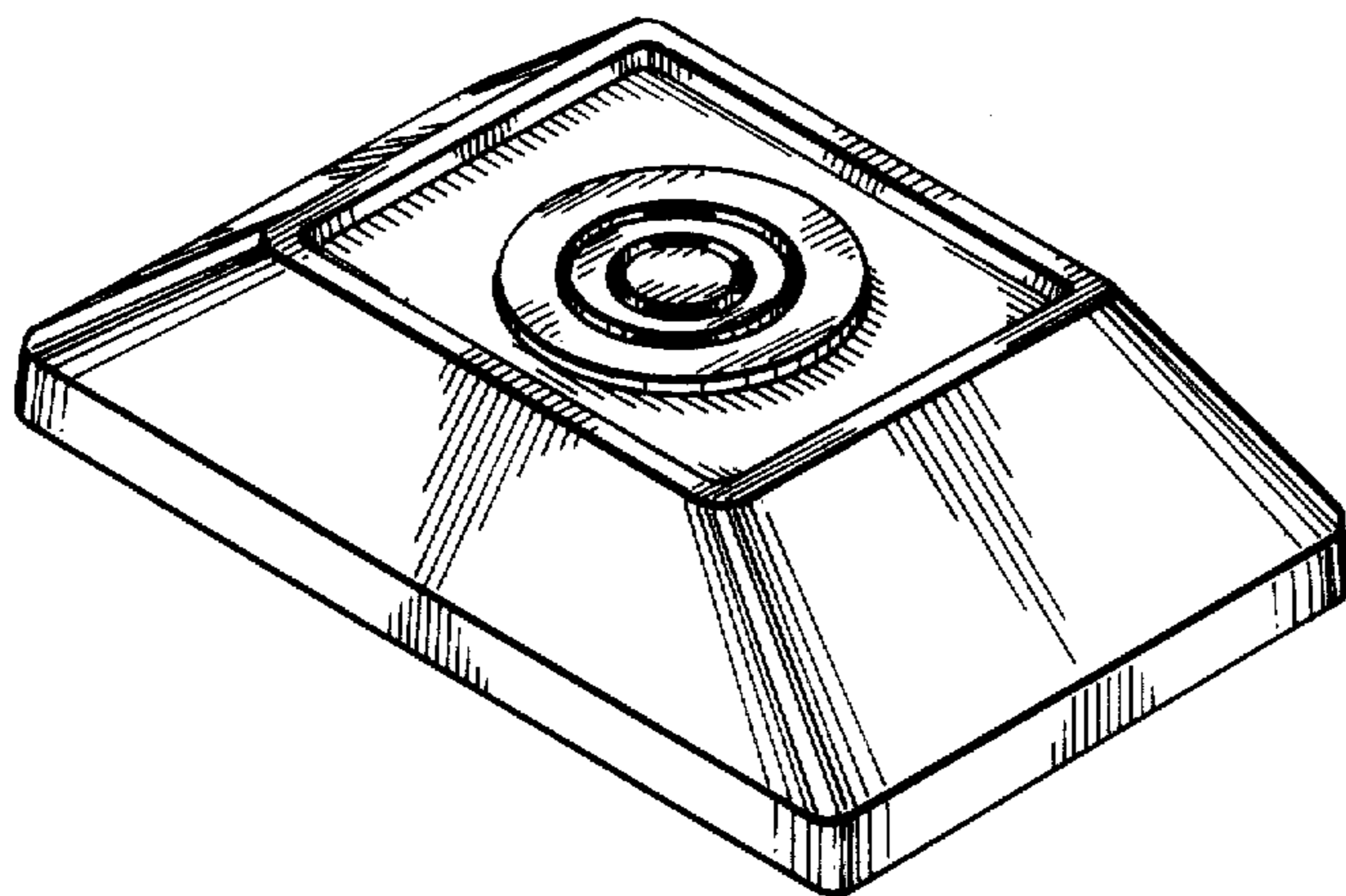
The ornamental design for a sonic signal generator, as shown.

DESCRIPTION

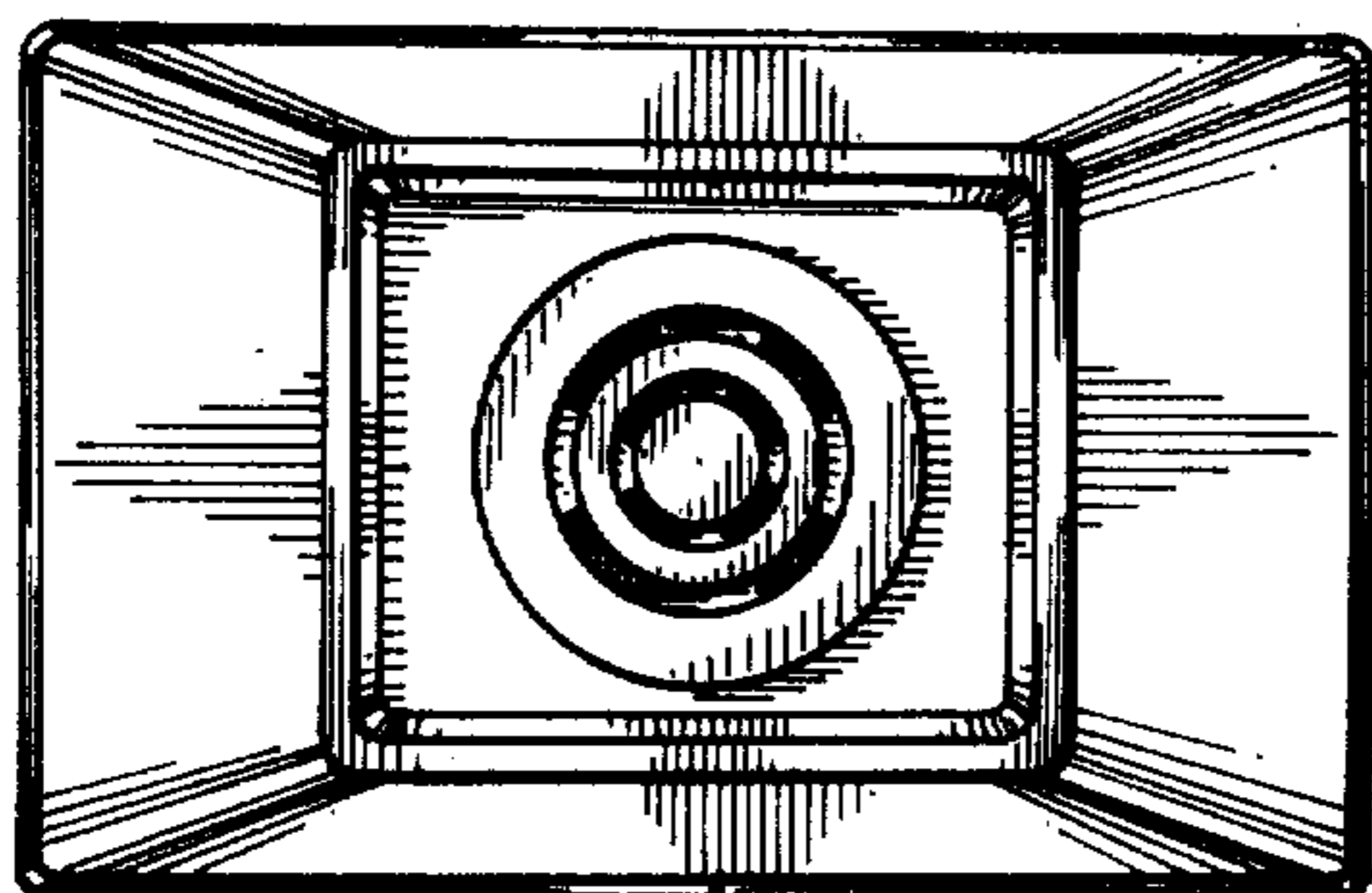
FIG. 1 is a perspective view of a sonic signal generator showing my design;  
FIG. 2 is a top plan view thereof;  
FIG. 3 is an elevational view of one of the longer sides of the sonic signal generator, the other longer side being identical as viewed; and,  
FIG. 4 is an elevational view of one of the shorter sides of the sonic signal generator, the other shorter side being identical as viewed.

- [56] References Cited
- U.S. PATENT DOCUMENTS
- D. 233,319 10/1974 Skarman ..... D10/106
- D. 240,121 6/1976 Pasquarette ..... D10/106
- D. 242,133 11/1976 Fitzsimmonds ..... D10/106

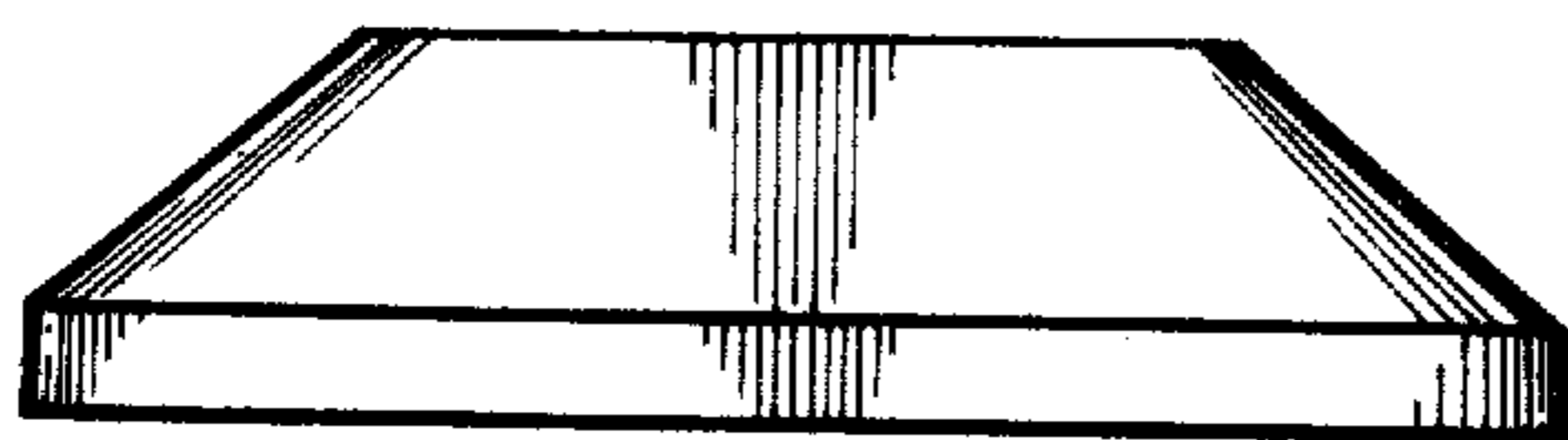




*Fig. 1.*



*Fig. 2.*



*Fig. 3.*



*Fig. 4.*