

[54] BOTTLE

[75] Inventors: David A. Winchell, Twin Lakes, Wis.; William M. Evans, Mundelein, Ill.

[73] Assignee: Baxter Travenol Laboratories, Inc., Deerfield, Ill.

[**] Term: 7 Years

[21] Appl. No.: 899,381

[22] Filed: Apr. 24, 1978

[51] Int. Cl. D9-01

[52] U.S. Cl. D9/369; D9/380; D9/383

[58] Field of Search D9/38-53, D9/129, 130, 167, 168, 59, 69, 71; 215/1 R, 1 C

[56] References Cited

U.S. PATENT DOCUMENTS

D. 215,411 9/1969 Anderson D9/47

D. 217,439 5/1970 Platte D9/44
D. 231,904 6/1974 Boden D9/44
D. 234,019 12/1974 D'Alo D9/44
D. 248,829 8/1978 Anderson D9/44

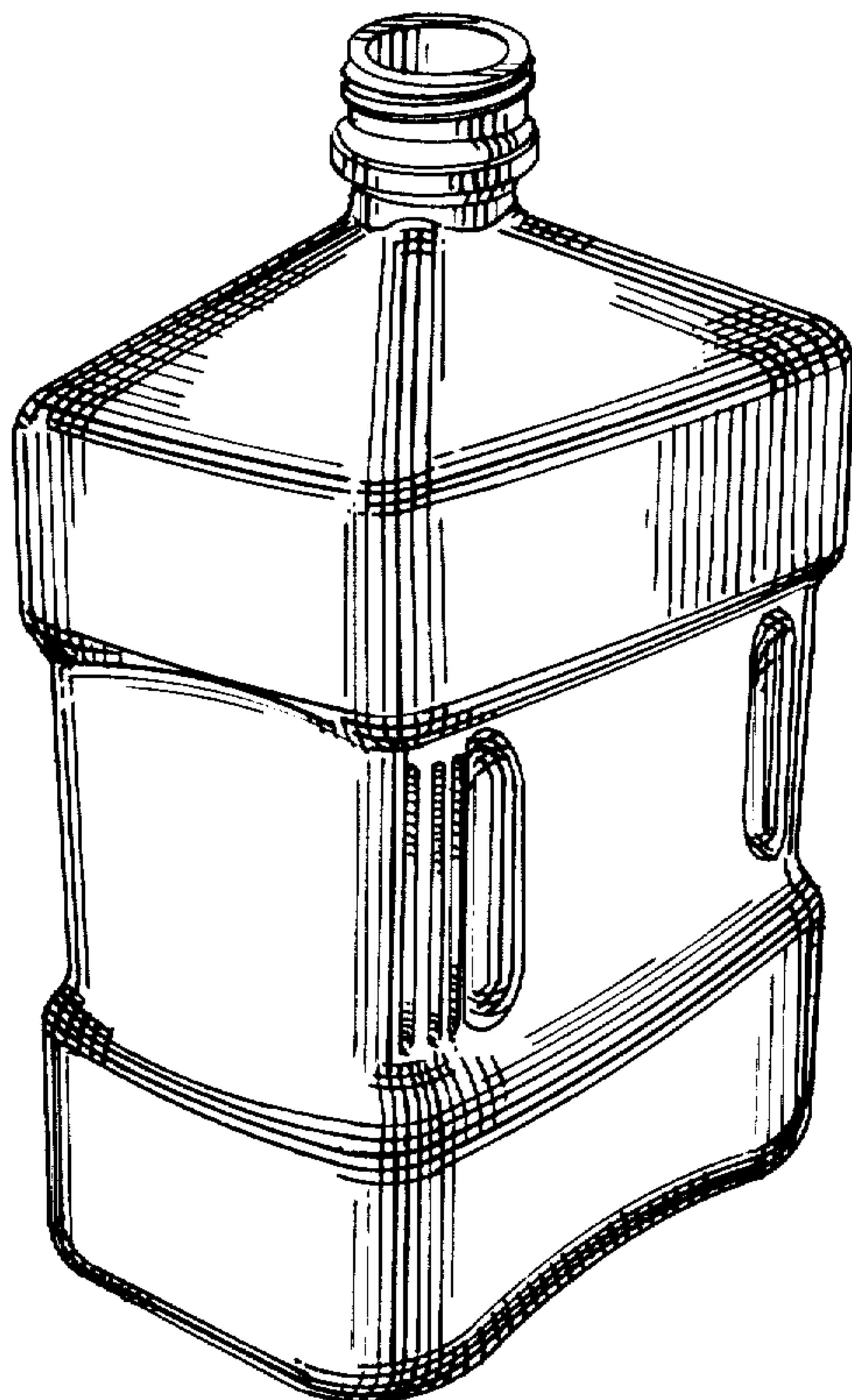
Primary Examiner—Robert C. Spangler
Attorney, Agent, or Firm—Paul C. Flattery; John P. Kirby, Jr.; George H. Gerstman

[57] CLAIM

The ornamental design for a bottle, as shown and described.

DESCRIPTION

FIG. 1 is a perspective view of a bottle showing our new design;
FIG. 2 is a side elevational view, the opposite side being the same in appearance;
FIG. 3 is a top plan view;
FIG. 4 is an elevational view looking from the right of FIG. 2, the opposite side being the same in appearance; and
FIG. 5 is a fragmentary cross-sectional view taken along the plane of the line 5-5 of FIG. 4.



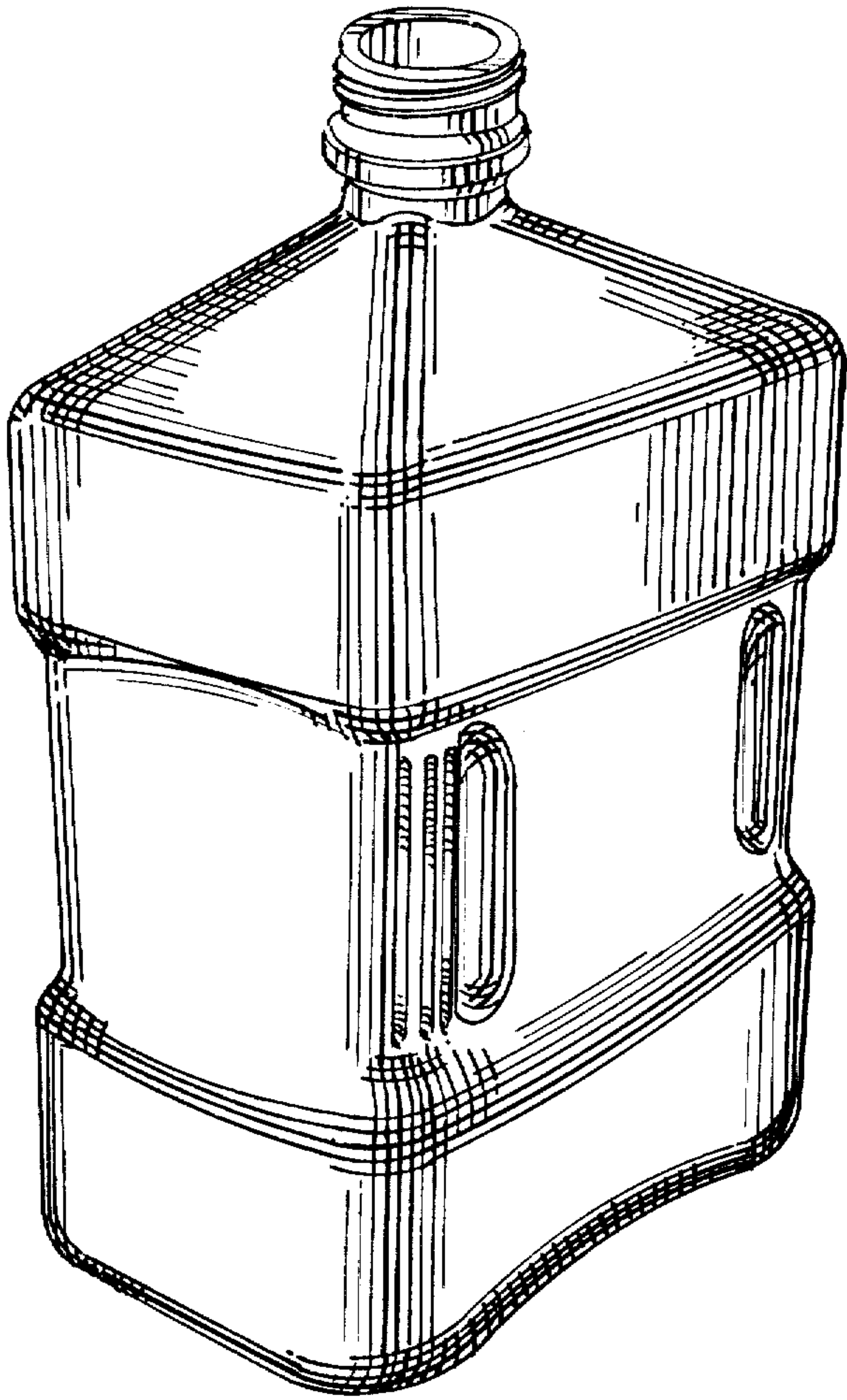


FIG. 1

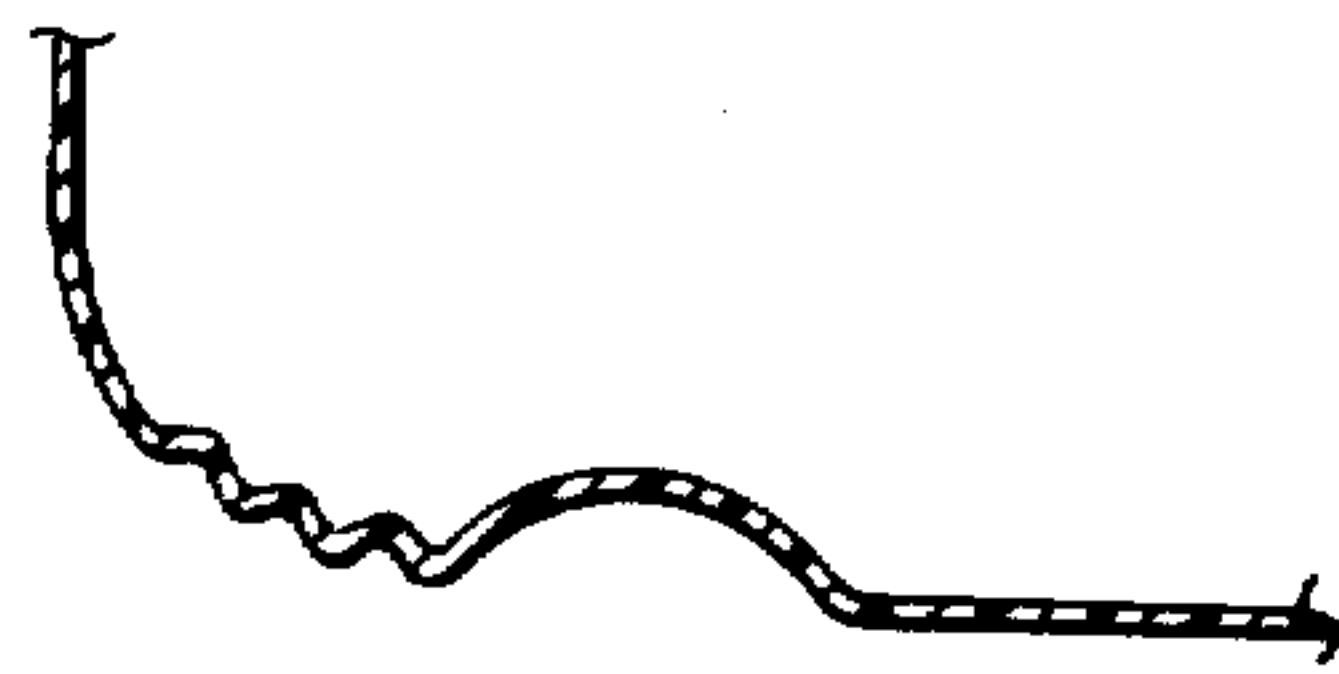


FIG. 5

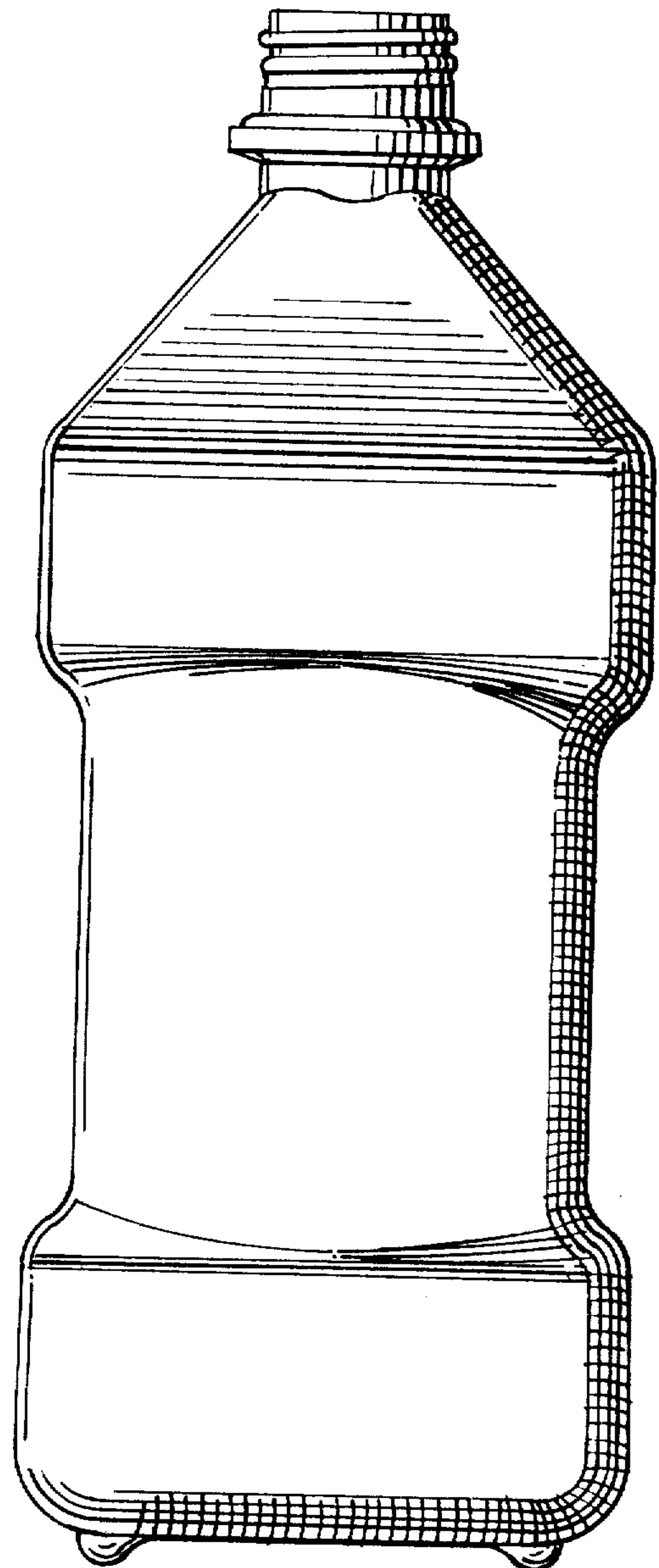


FIG. 2

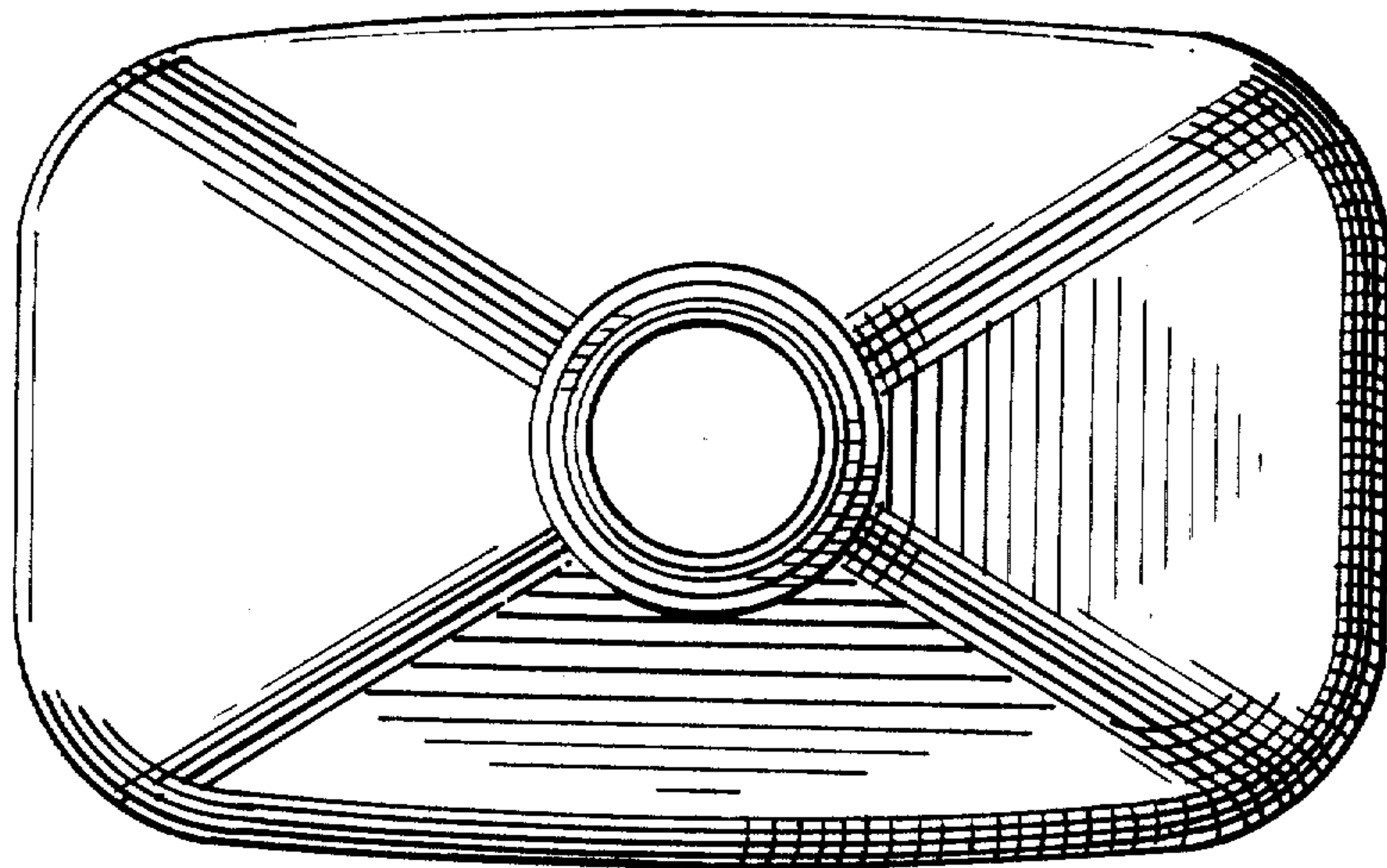


FIG. 3

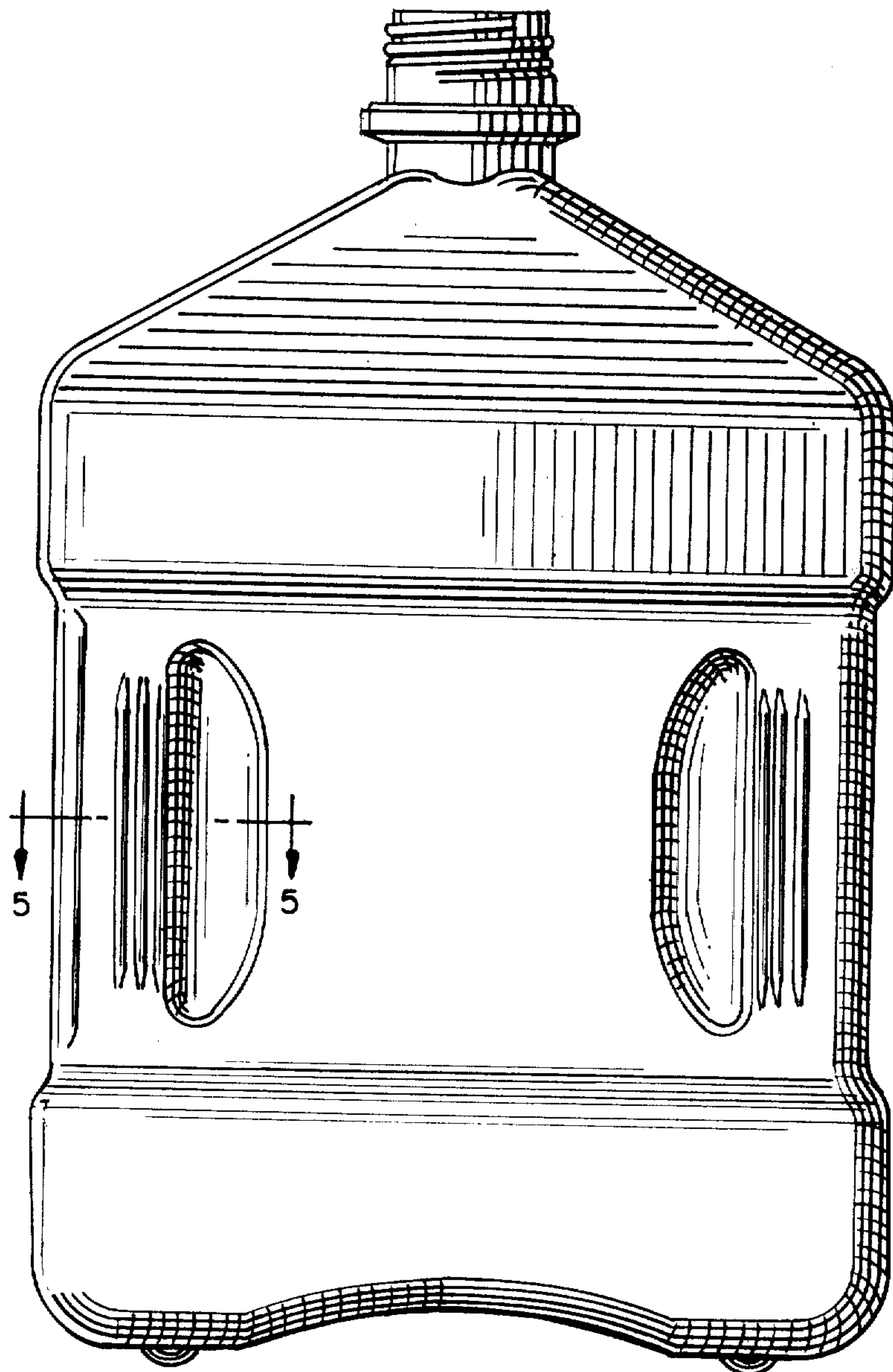


FIG. 4