

- [54] **CHOKER LINE COUPLER**
- [76] Inventor: **Charles J. Hoover**, P.O. Box 713,
Mill City, Oreg. 97360
- [**] Term: **14 Years**
- [21] Appl. No.: **47,788**
- [22] Filed: **Jun. 11, 1979**
- [51] Int. Cl. **D8—07**
- [52] U.S. Cl. **D8/383; 9/16;**
294/86 R; 403/209
- [58] Field of Search **D8/383, 354, 356, 1;**
9/15, 16; 81/177 ST, 177 D; 294/86 R;
403/206, 209, 210, 215

[56] **References Cited**
U.S. PATENT DOCUMENTS

D. 148,933	3/1948	Karleen	D8/383
3,307,871	3/1967	Russell et al.	294/86 R
3,583,753	6/1971	McCrary	294/86 R
3,844,601	10/1974	Rochester	403/206

4,107,825 8/1978 Brawand 403/209

Primary Examiner—Veronica O’Keefe
Attorney, Agent, or Firm—Oliver D. Olson

[57] **CLAIM**

The ornamental design for a choker line coupler, as shown and described.

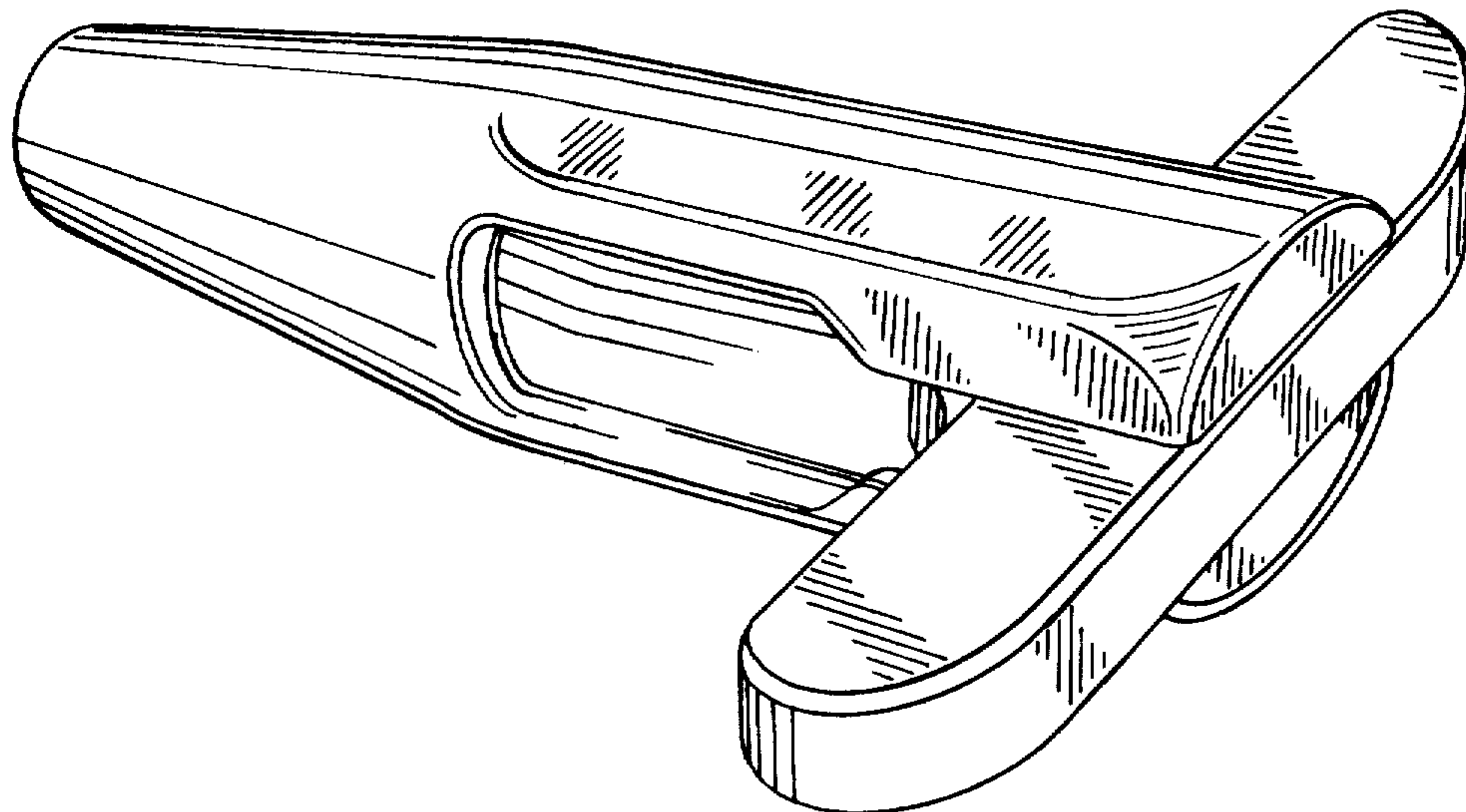
DESCRIPTION

FIGS. 1 and 2 are front and rear perspective views, respectively, of a choker line coupler in line securing condition, showing my new design.

FIGS. 3 and 4 are front and rear perspective views, respectively, of the choker line coupler of FIGS. 1 and 2, in line releasing condition.

FIGS. 5 and 6 are front and rear perspective views, respectively, similar to FIGS. 1 and 2, of a second embodiment of the choker line coupler in line securing condition.

FIGS. 7 and 8 are front and rear perspective views, respectively, of the choker line coupler of FIGS. 5 and 6, in line releasing condition.



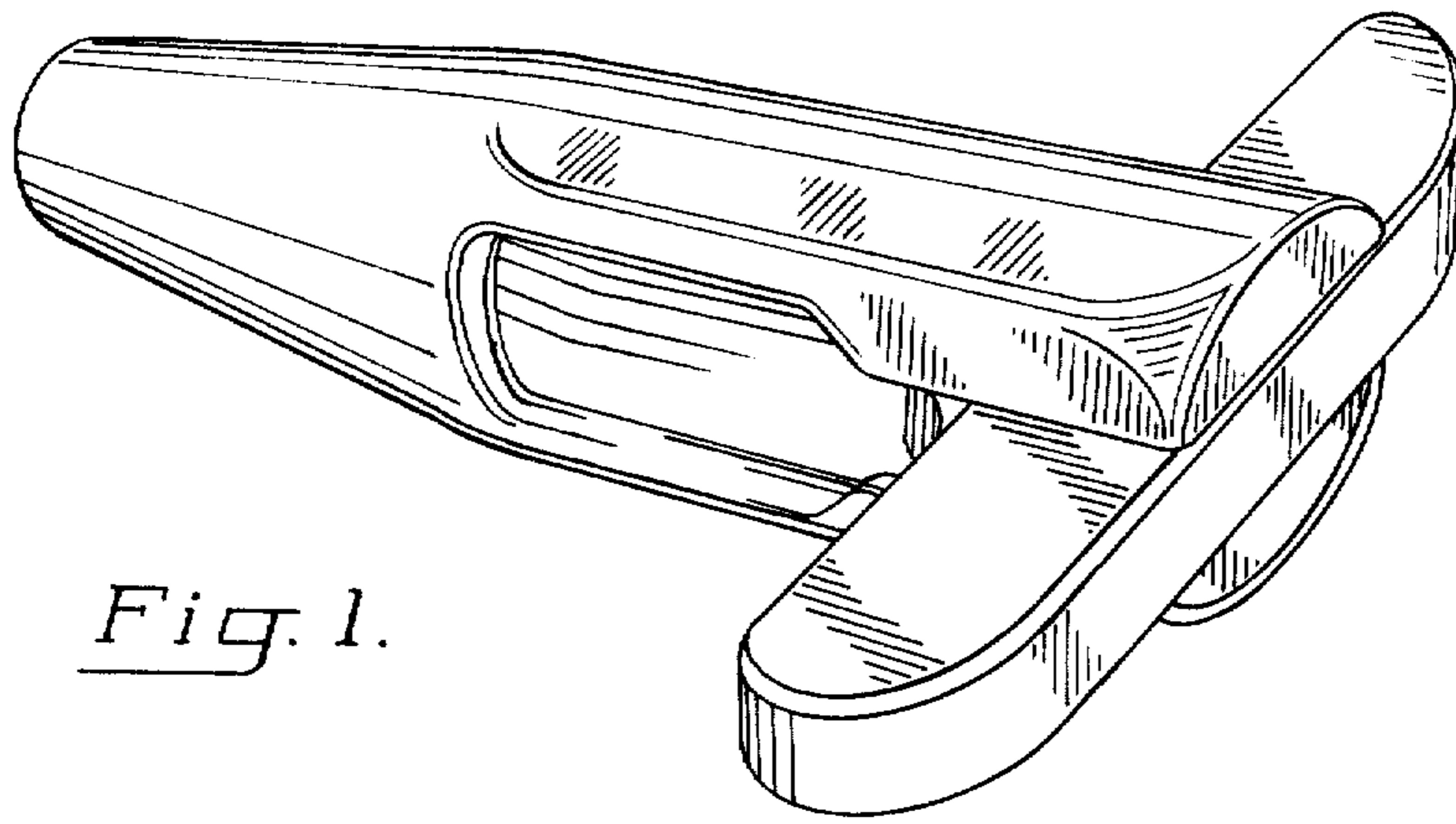


Fig. 1.

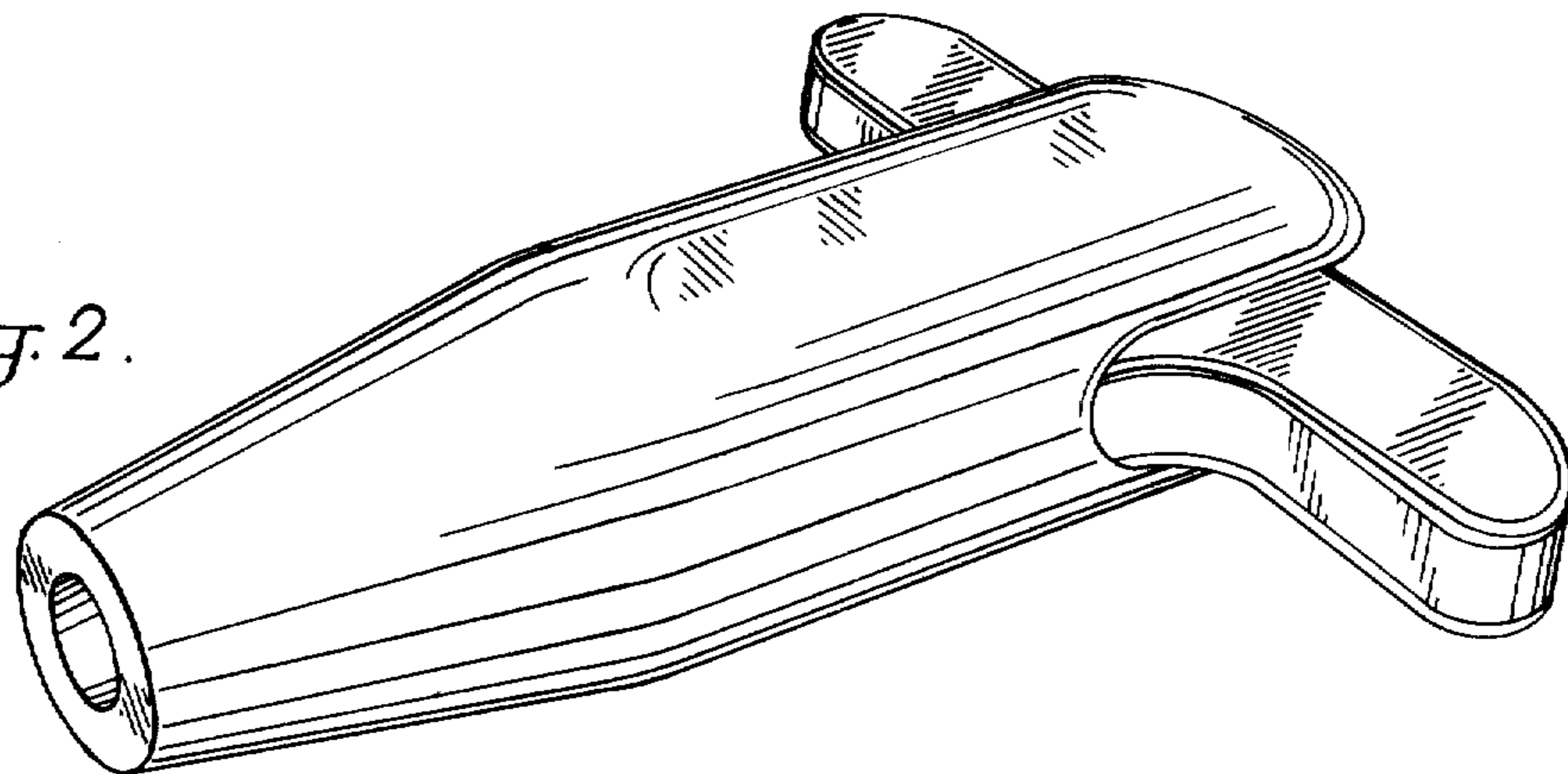


Fig. 2.

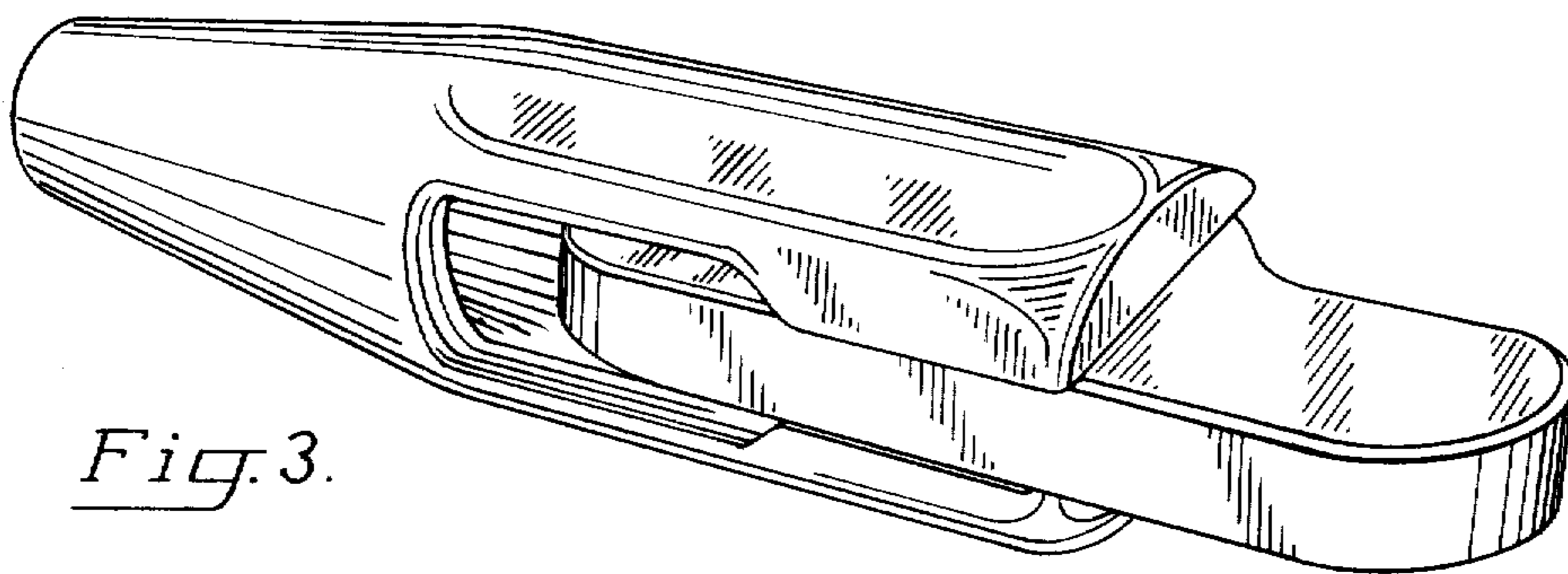


Fig. 3.

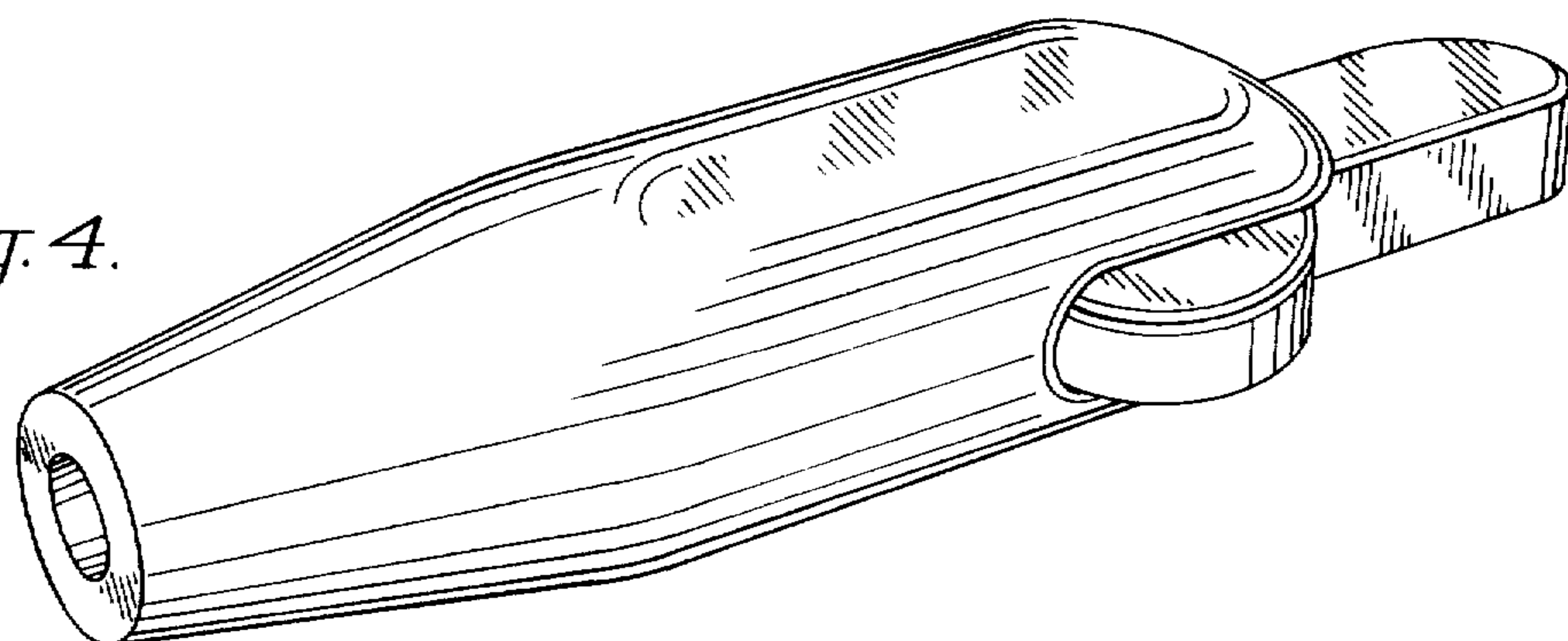


Fig. 4.

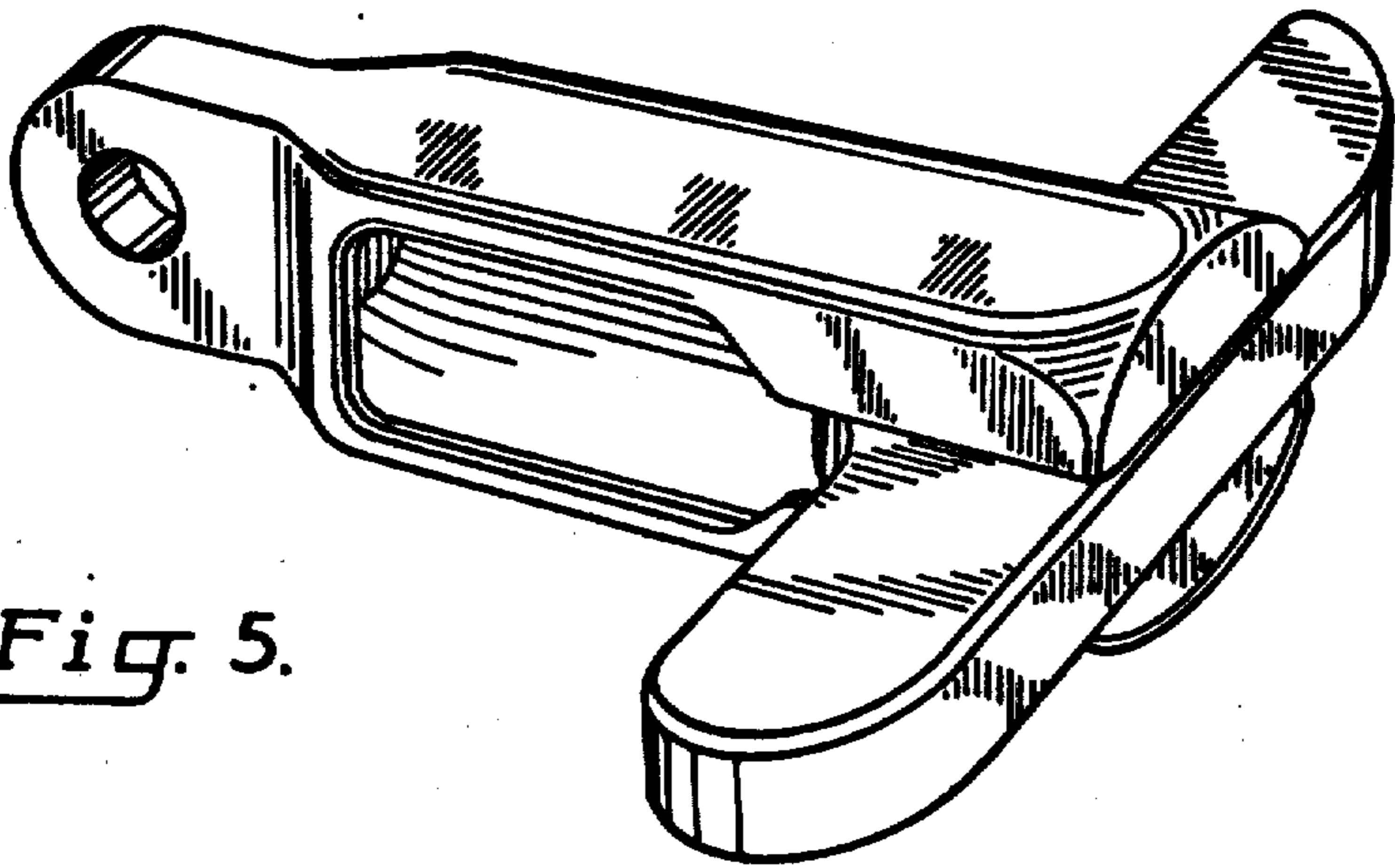


Fig. 5.

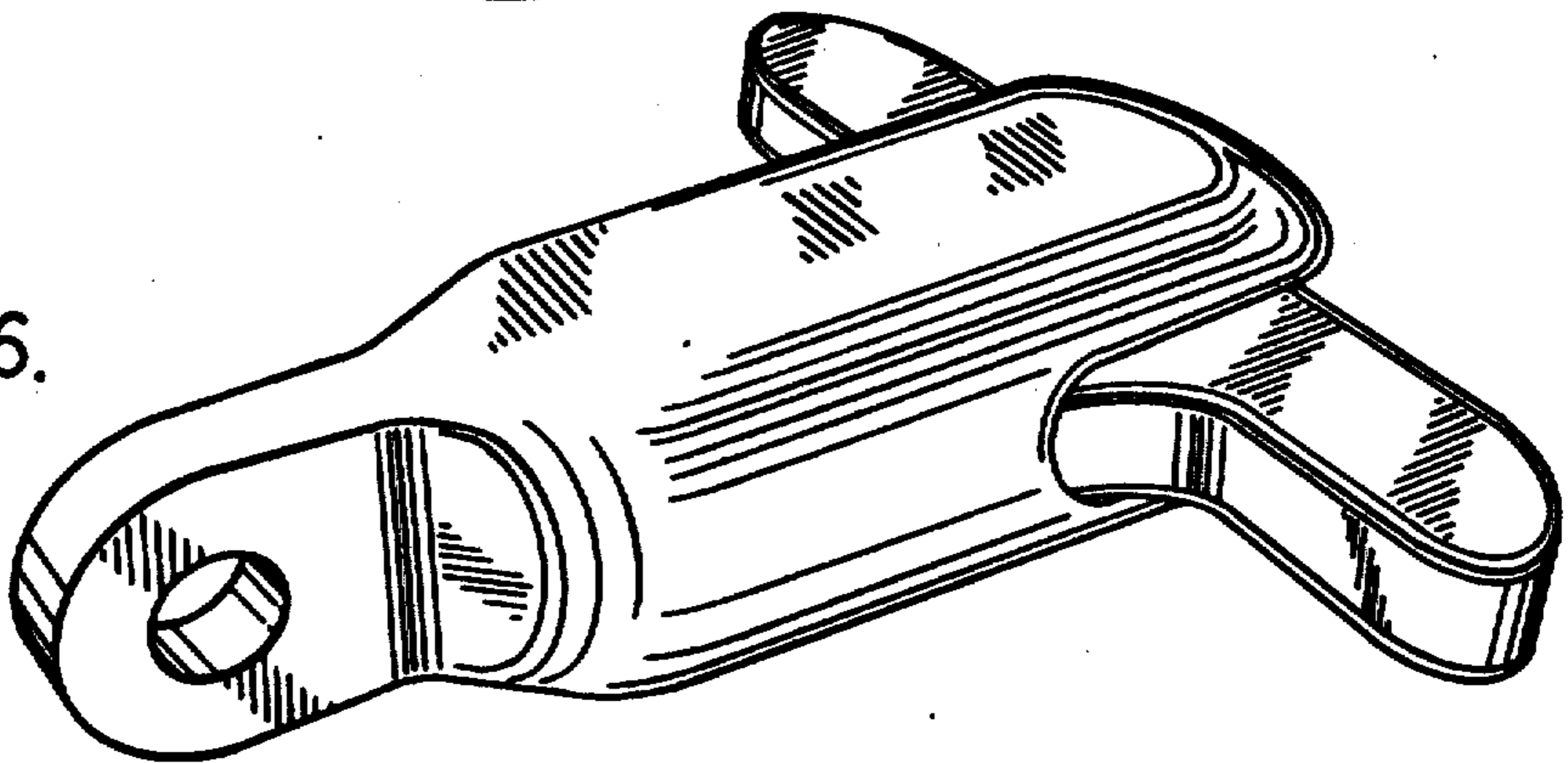


Fig. 6.

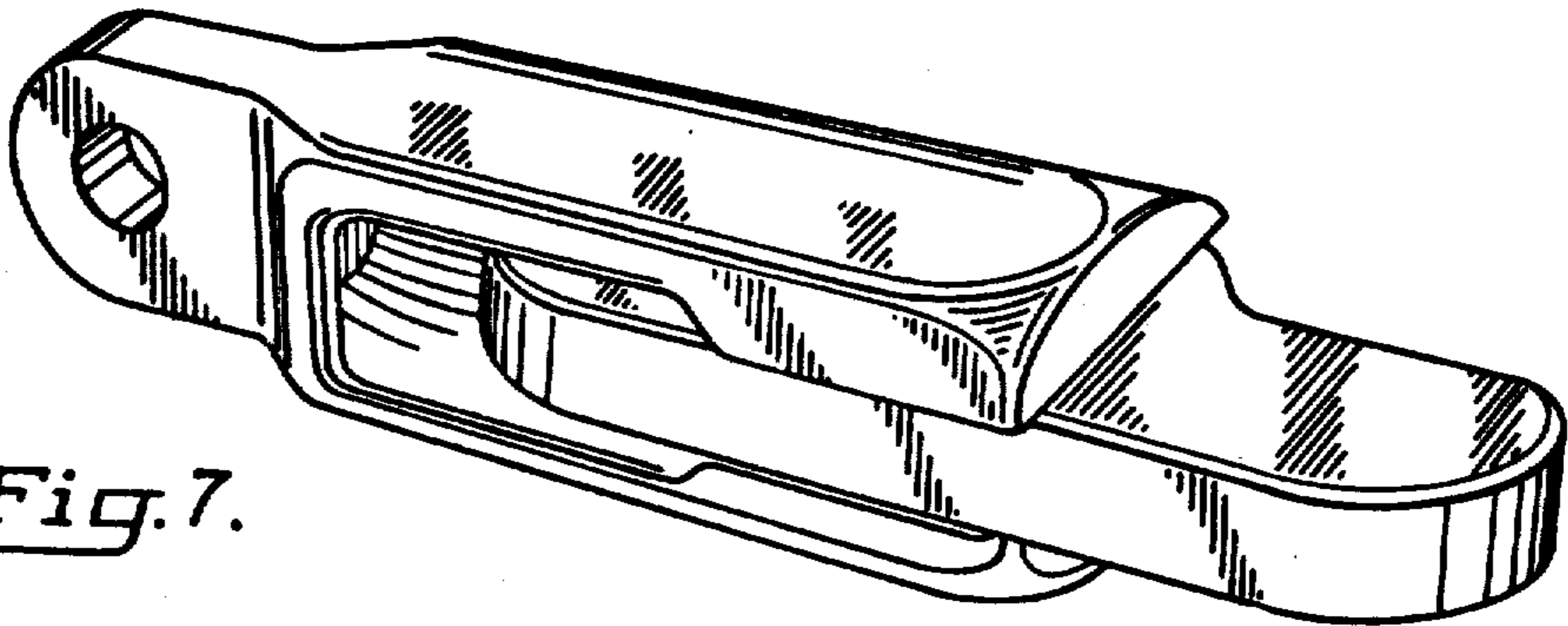


Fig. 7.

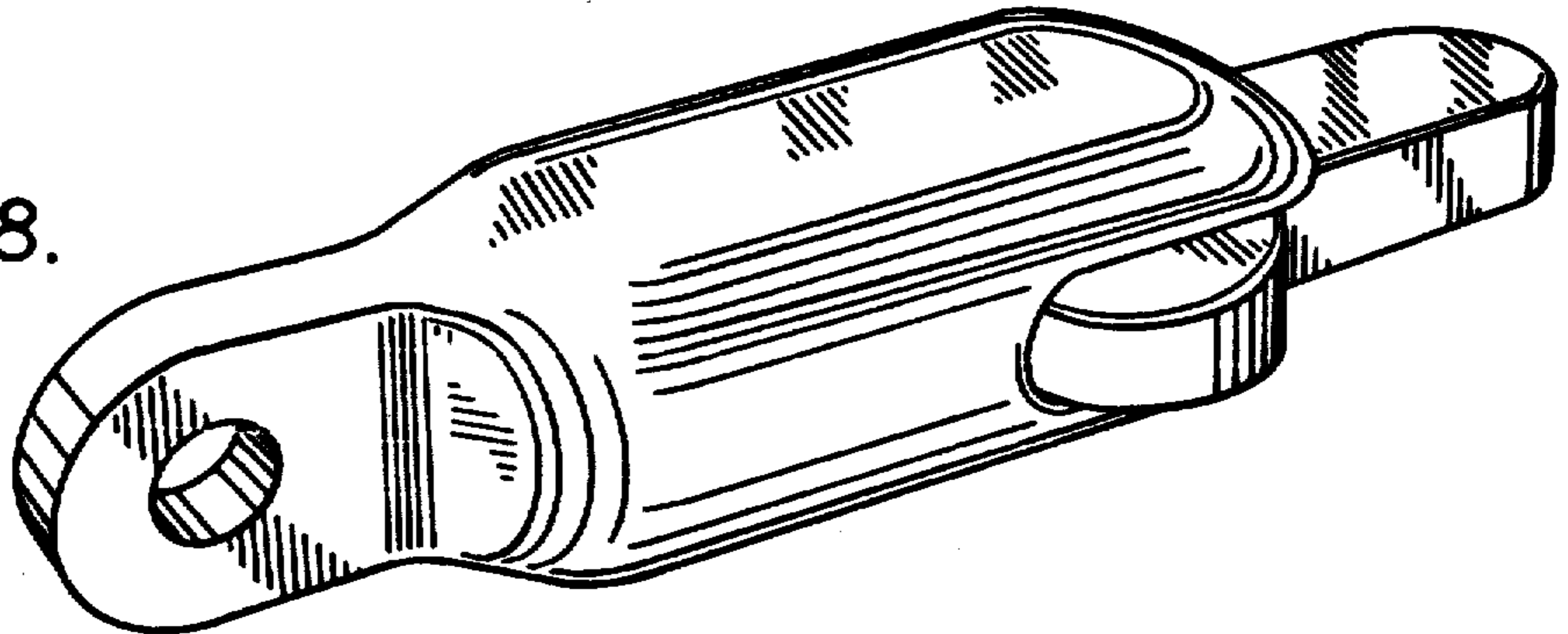


Fig. 8.