

[54] ROTATING MULTIPLE SKEWER ASSEMBLY

[76] Inventor: Gerald J. Menard, 1116 Juniper Ct., Fort Collins, Colo. 80521

[\*\*] Term: 14 Years

[21] Appl. No.: 64,567

[22] Filed: Aug. 7, 1979

[51] Int. Cl. .... D7-02

[52] U.S. Cl. .... D7/129; D7/130; D7/107

[58] Field of Search ..... D7/107, 108, 109, 110, D7/129, 130; 99/419, 420, 421

[56] References Cited

U.S. PATENT DOCUMENTS

2,762,293	9/1956	Boyajian	99/421 P
3,126,814	3/1964	Brown	99/421 H
3,196,776	7/1965	Norton	99/421 P
3,329,082	7/1967	Satkunas	99/421 HU

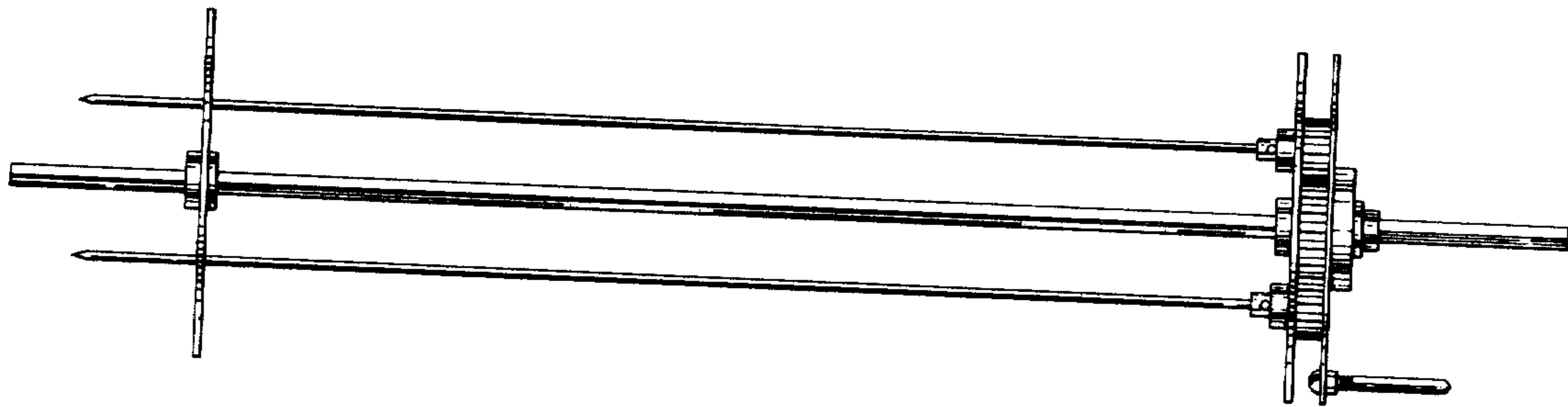
Primary Examiner—Catherine E. Kemper  
Attorney, Agent, or Firm—Hugh H. Drake

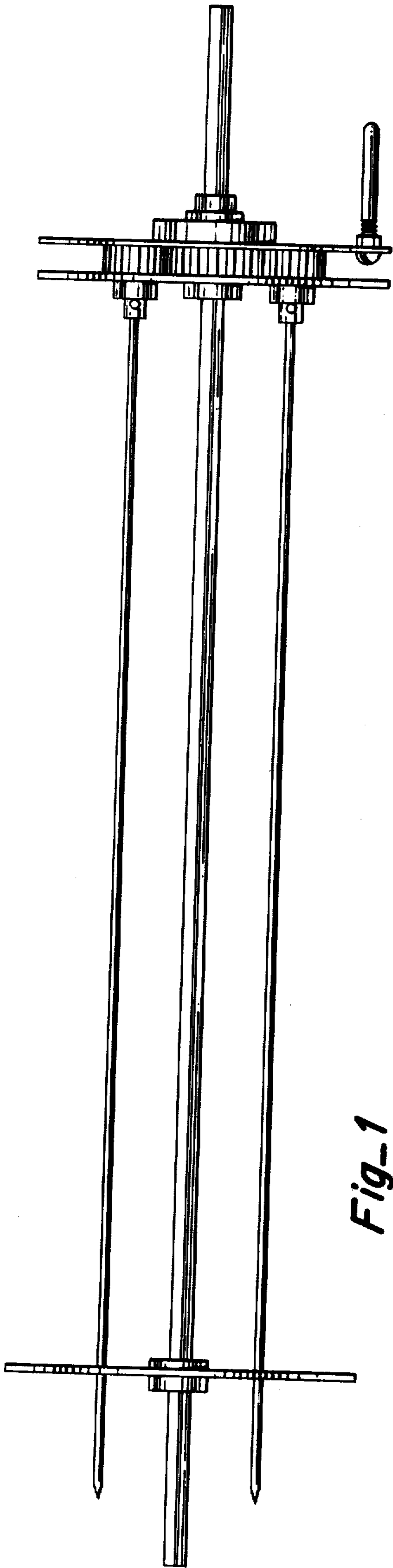
[57] CLAIM

The ornamental design for a rotating multiple skewer assembly, as shown and described.

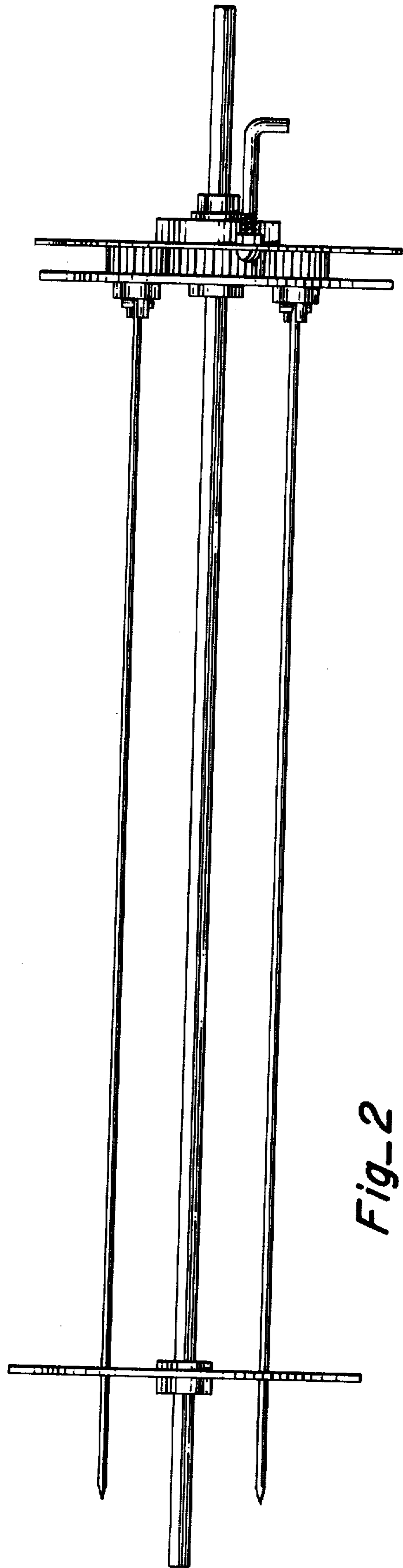
DESCRIPTION

FIG. 1 is a top plan view of a rotating multiple skewer assembly showing my new design;  
 FIG. 2 is a side elevational view thereof;  
 FIG. 3 is a reduced isometric view thereof;  
 FIG. 4 is an enlarged end elevational view thereof taken from the left side of FIG. 3; and  
 FIG. 5 is an enlarged end elevational view thereof taken from the right side of FIG. 3.  
 A bottom plan view would be a mirror image of FIG. 1 except for a reversed end of a stop as will be understood by viewing FIGS. 2, 3, and 5.  
 The opposite side elevational view would be a mirror image of FIG. 2 except that the stop would be at the rear and its base would be concealed.

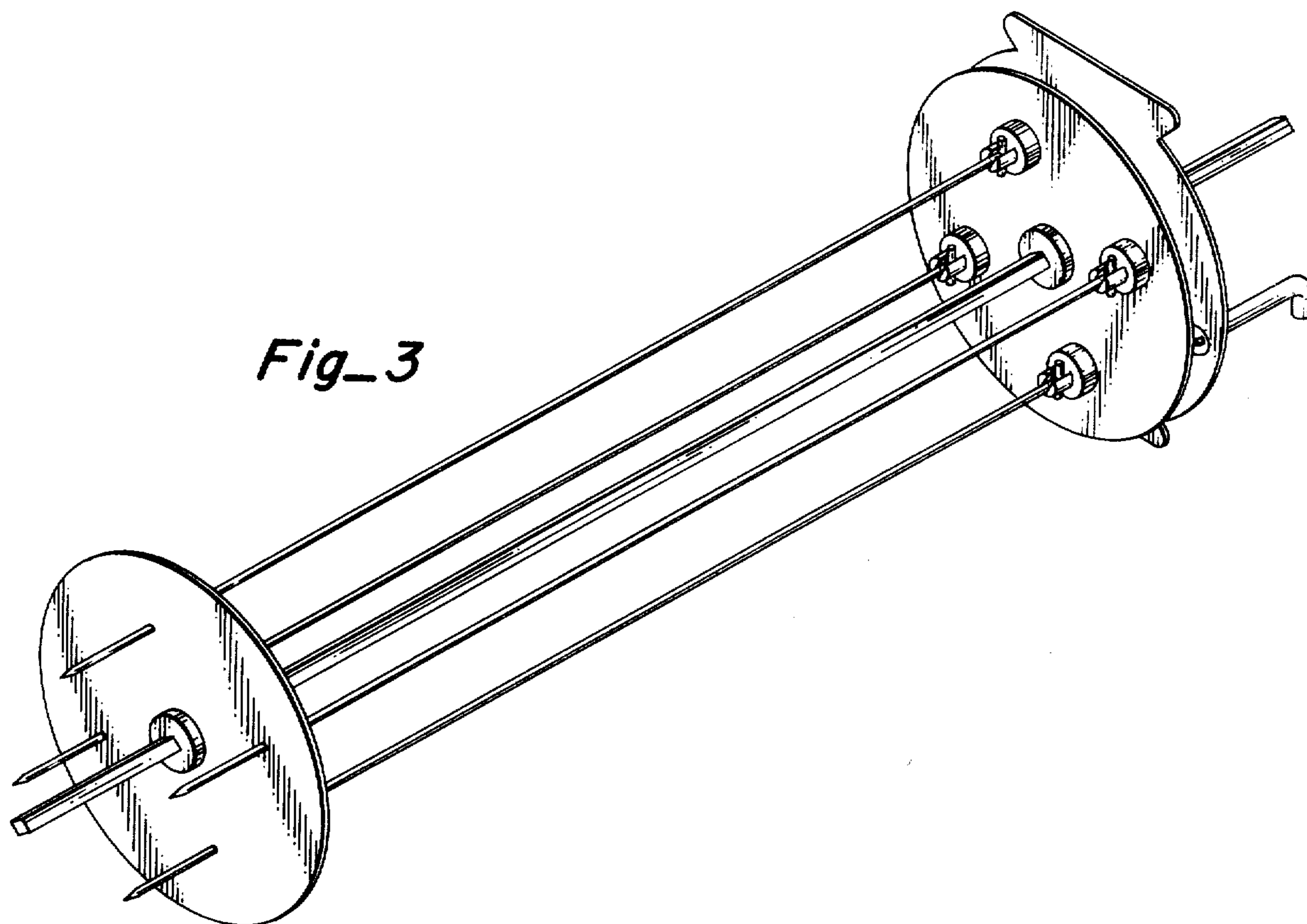




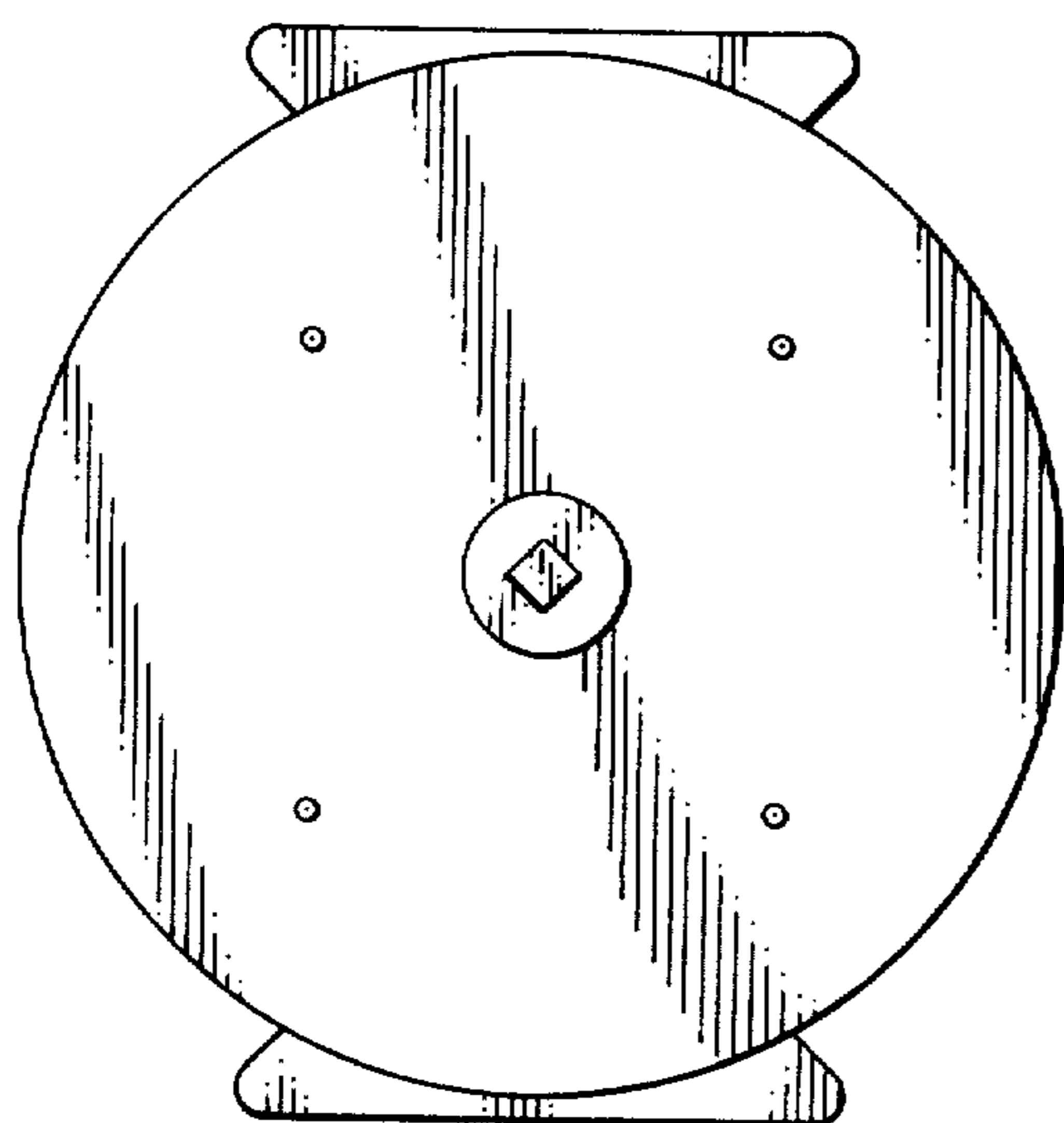
*Fig-1*



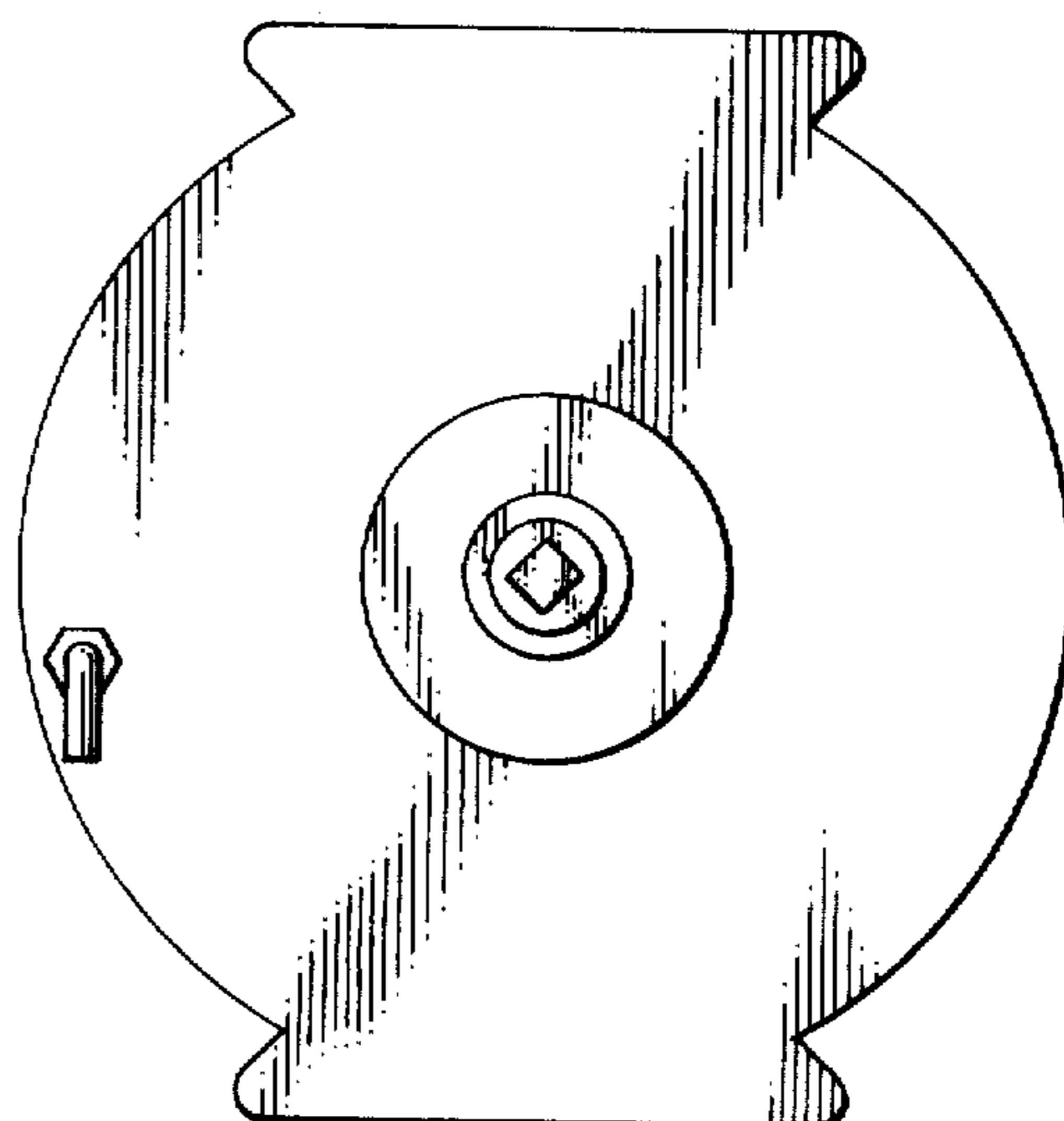
*Fig-2*



*Fig\_3*



*Fig\_4*



*Fig\_5*