

[54] DISPLAY STAND

[75] Inventor: Var E. Lordahl, Chicago, Ill.

[73] Assignee: T.S.G. Mfg. Co., Chicago, Ill.

[**] Term: 14 Years

[21] Appl. No.: 41,690

[22] Filed: May 23, 1979

[51] Int. Cl. D20—02

[52] U.S. Cl. D6/114; D6/181;
D6/184

[58] Field of Search D6/114, 130, 132-136,
D6/181, 184; D19/91; 211/42, 87, 88, 90;
248/441 R, 300; 40/16

[56]

References Cited

U.S. PATENT DOCUMENTS

D. 138,119	6/1944	Schneider	D6/181
D. 165,023	10/1951	Rodbell	D19/91
D. 181,693	12/1957	Tichnor	D6/181
1,130,096	3/1915	McSheehy	211/42
1,807,517	5/1931	Erlendson et al.	248/300
3,794,284	2/1974	Guenther	248/441 R

Primary Examiner—B. J. Bullock
Attorney, Agent, or Firm—Rummler & Snow

[57]

CLAIM

The ornamental design for a display stand, as shown and described.

DESCRIPTION

FIG. 1 is an enlarged perspective view of a display stand showing my new design, the rear being planar;
FIG. 2 is a side elevational view taken from the right of FIG. 1;
FIG. 3 is a top plan view thereof;
FIG. 4 is a bottom plan view thereof.

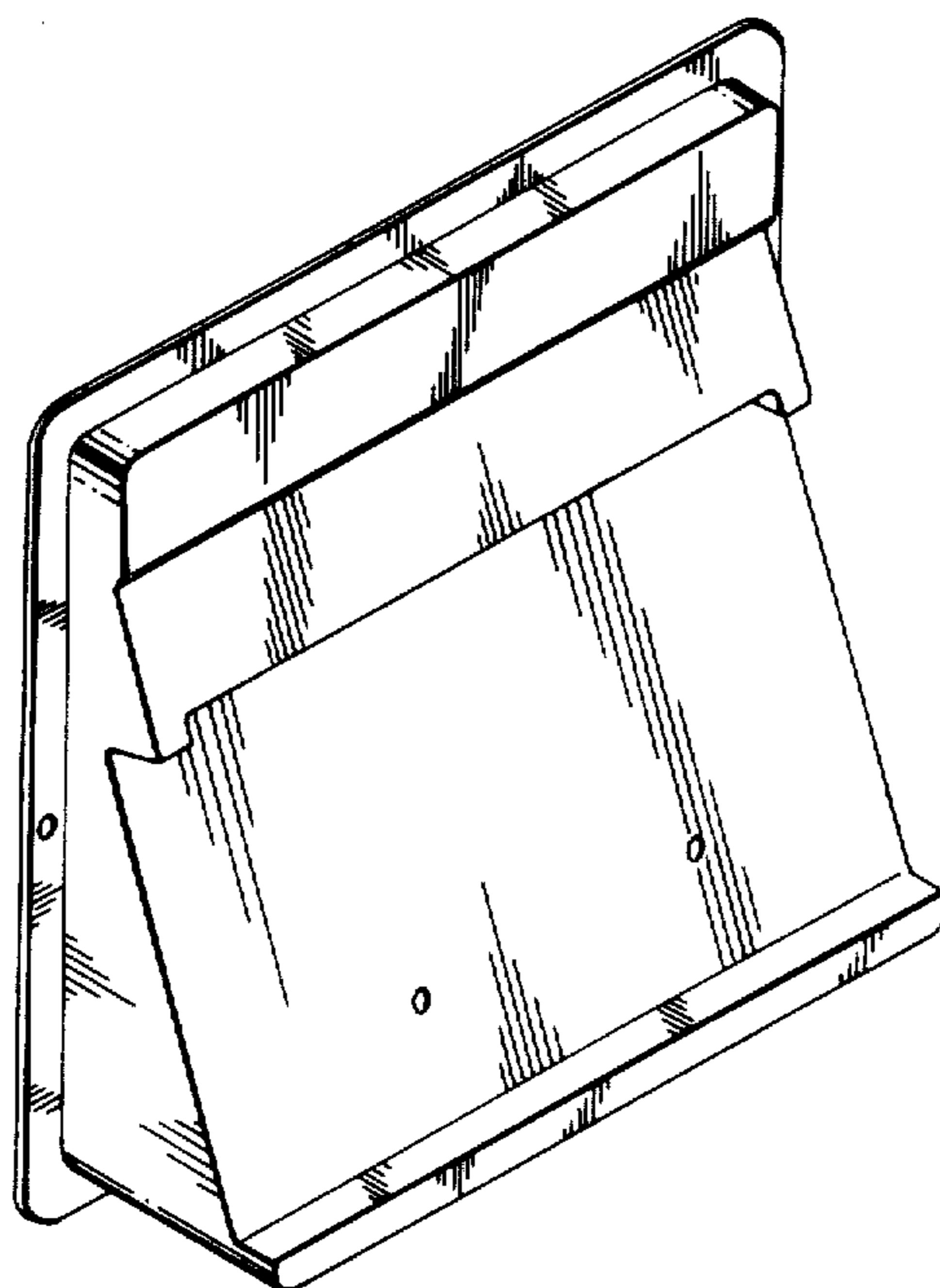


FIG-1

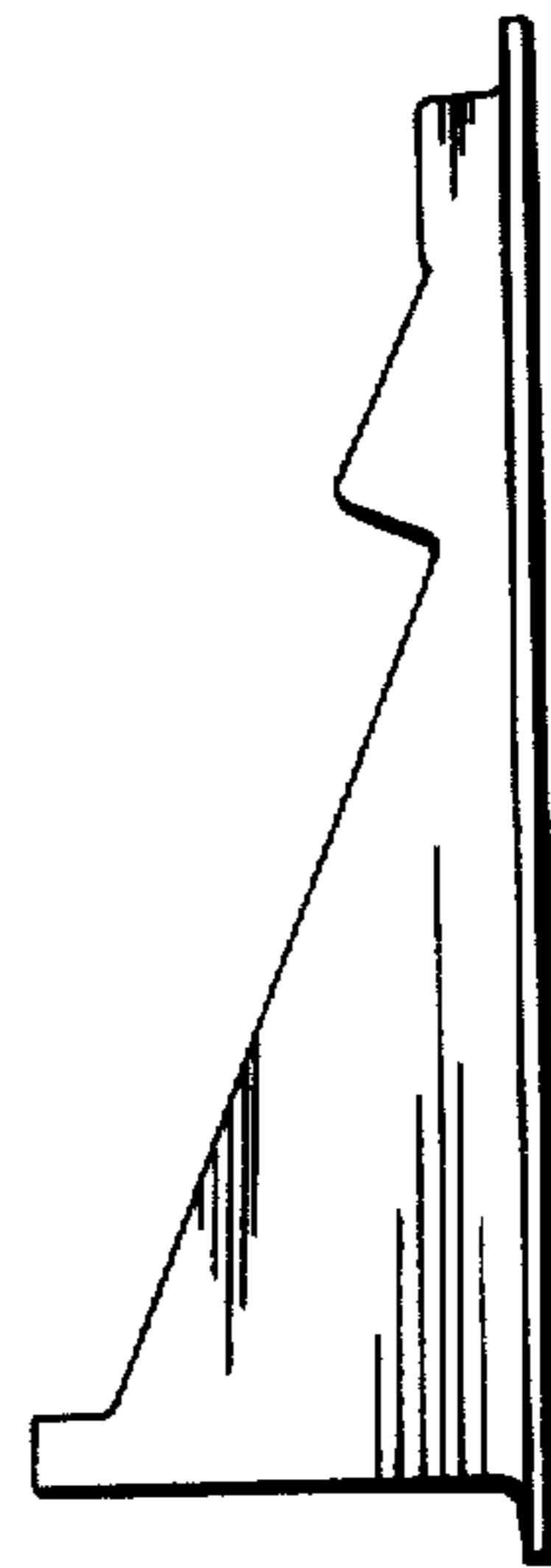
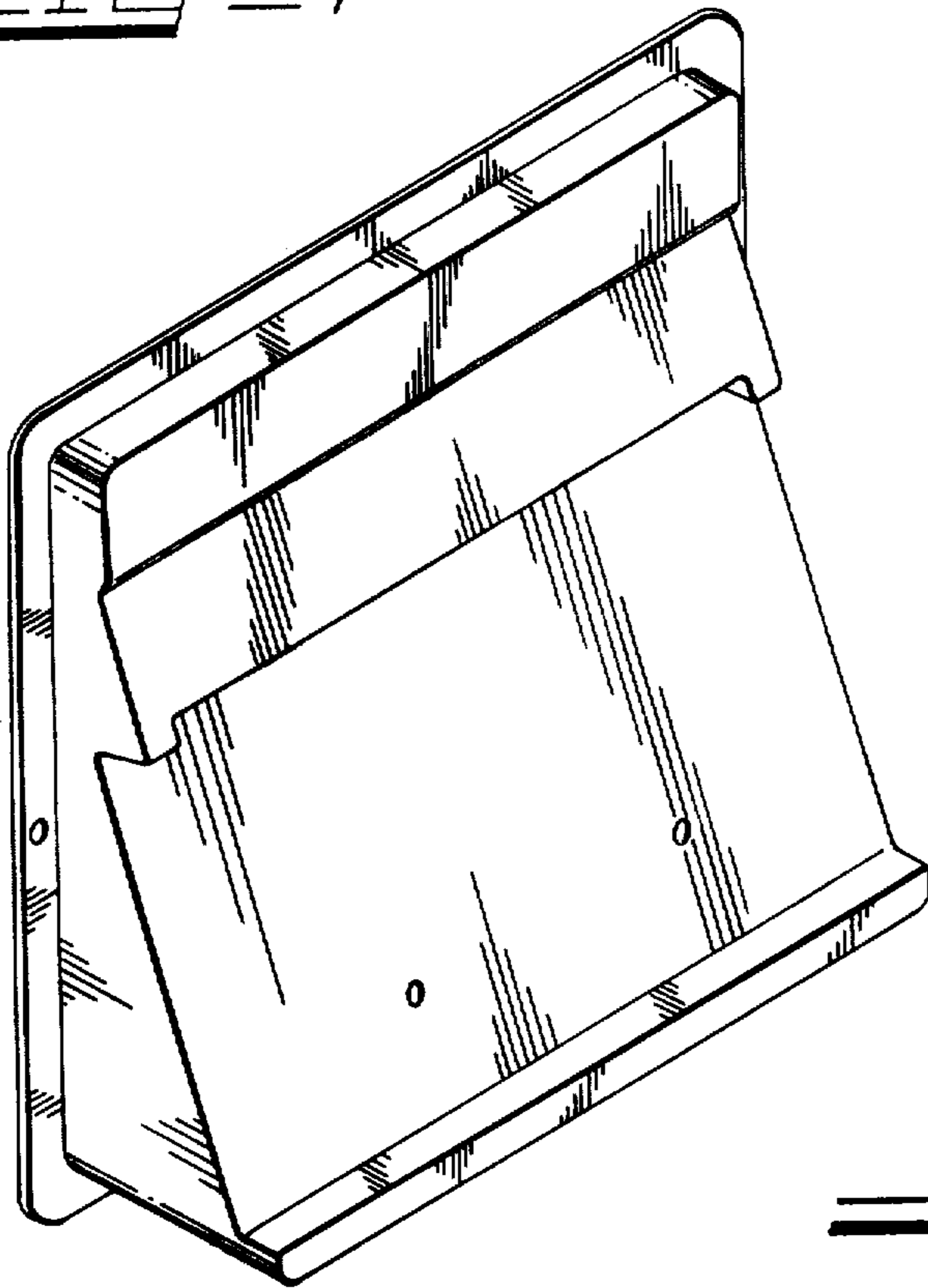


FIG-2

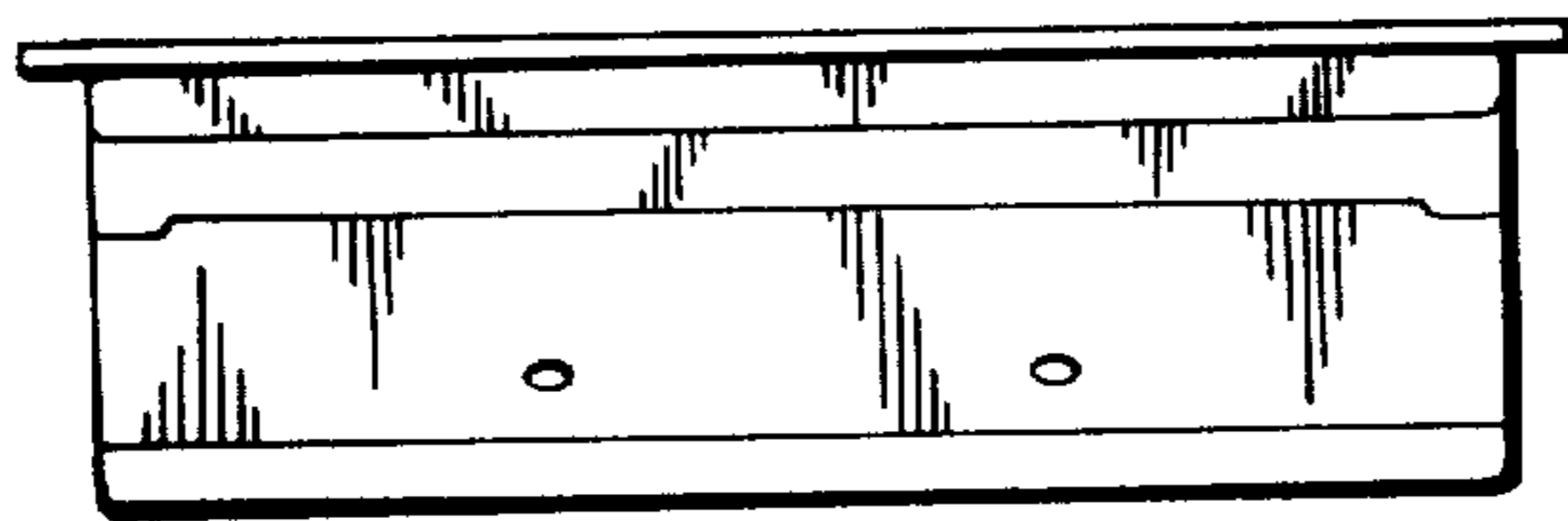


FIG-3

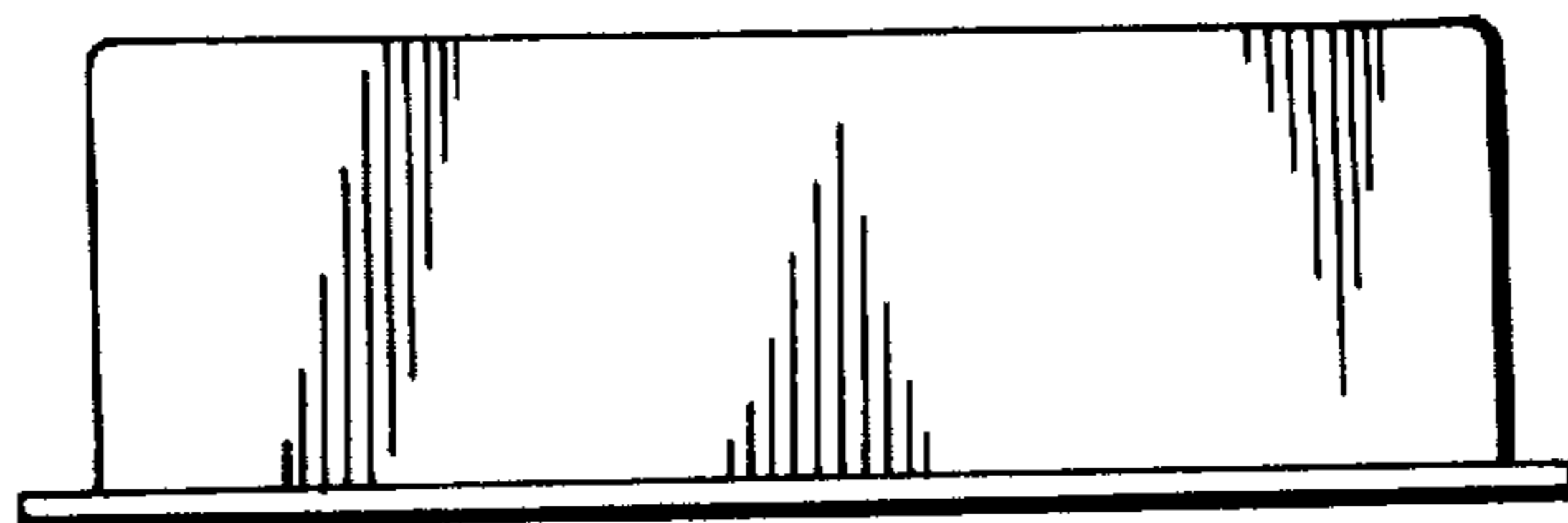


FIG-4