

[54] BAR STOOL

[75] Inventor: Robert L. Wilson, Memphis, Tenn.

[73] Assignee: Chromcraft Corporation, Amsterdam, N.Y.

[**] Term: 14 Years

[21] Appl. No.: 84,007

[22] Filed: Oct. 11, 1979

[51] Int. Cl. D6-01

[52] U.S. Cl. D6/35

[58] Field of Search D6/32-36, D6/26, 30, 31, 70, 73, 76, 48, 144

[56] References Cited

U.S. PATENT DOCUMENTS

- D. 206,713 1/1967 Dvrico D6/35
- D. 232,879 9/1974 Samhammer D6/35

OTHER PUBLICATIONS

Cosco Brochure, Bar Stool No. 11-131.
Eerie Seating Co., brochure, Bar Stool No. 6514.

Primary Examiner—Bruce W. Dunkins
Attorney, Agent, or Firm—Joseph P. Flanagan

[57] CLAIM

The ornamental design for a bar stool, as shown and described.

DESCRIPTION

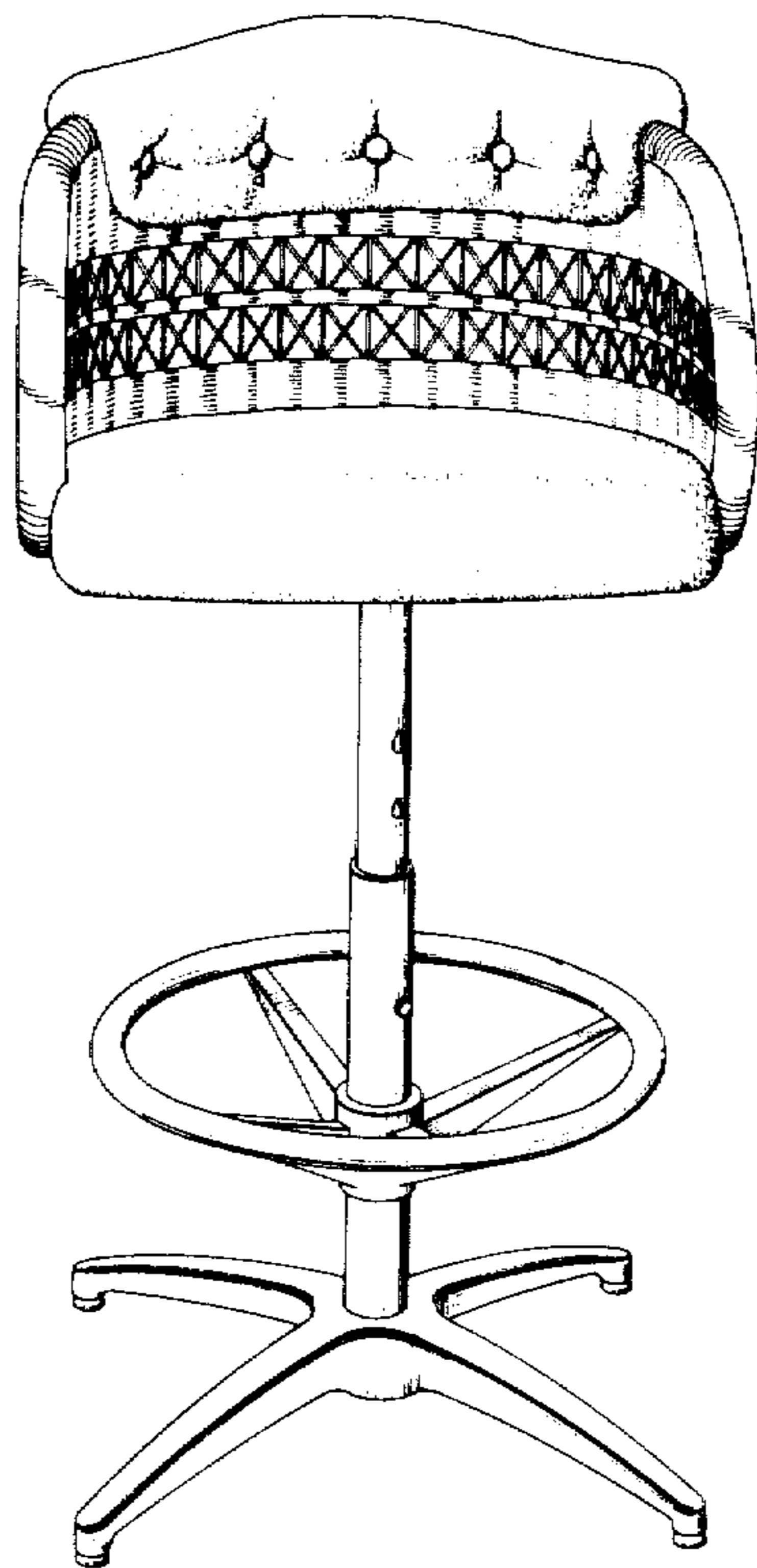
FIG. 1 is a front perspective view of the design of the instant invention.

FIG. 2 is a rear perspective view of the design of the instant invention.

FIG. 3 is a side view of the design of the instant invention.

FIG. 4 is an oblique rear perspective view of the design of the instant invention.

FIG. 5 is an oblique rear perspective view of the design of the instant invention.



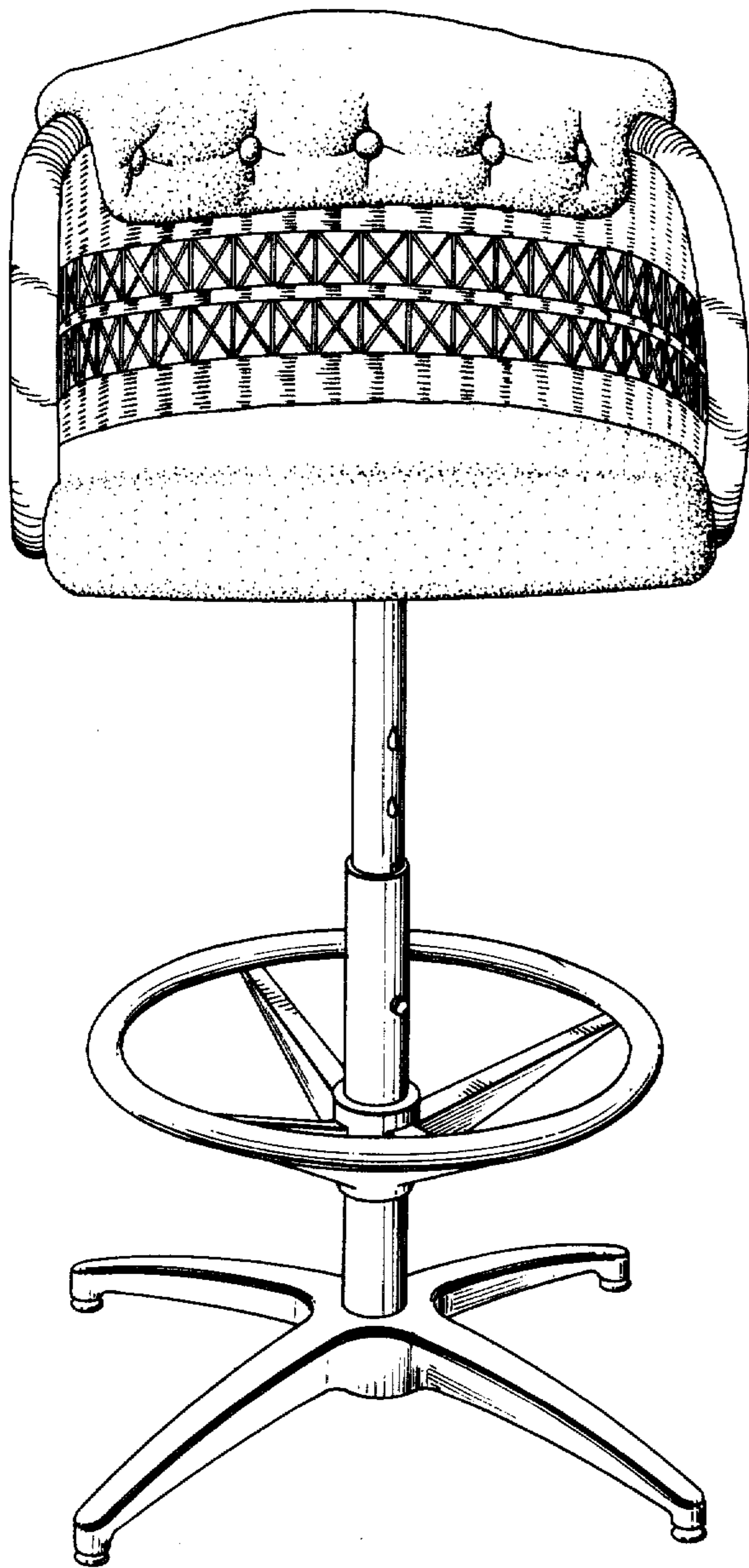
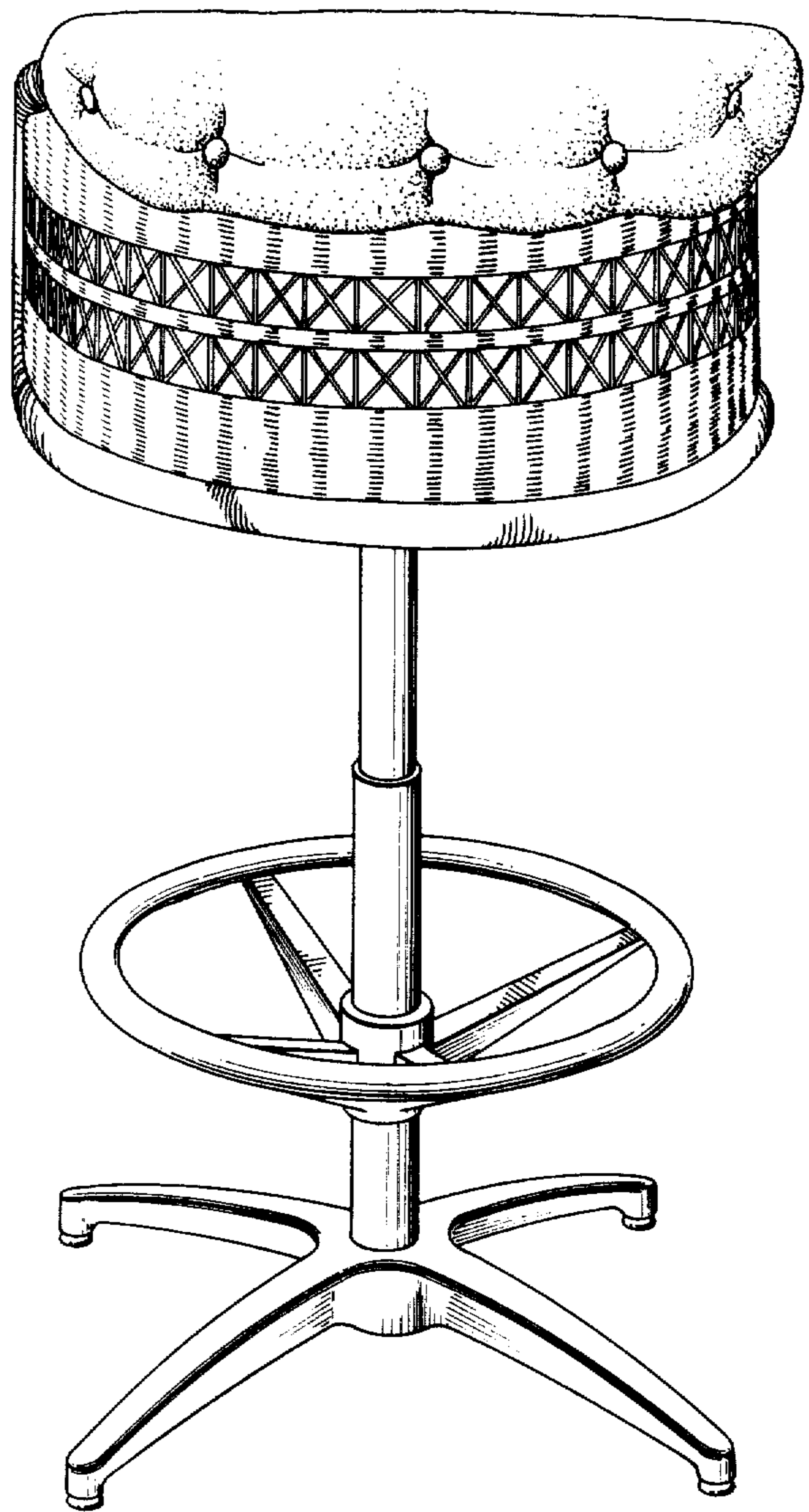


FIG. 2

FIG. 1



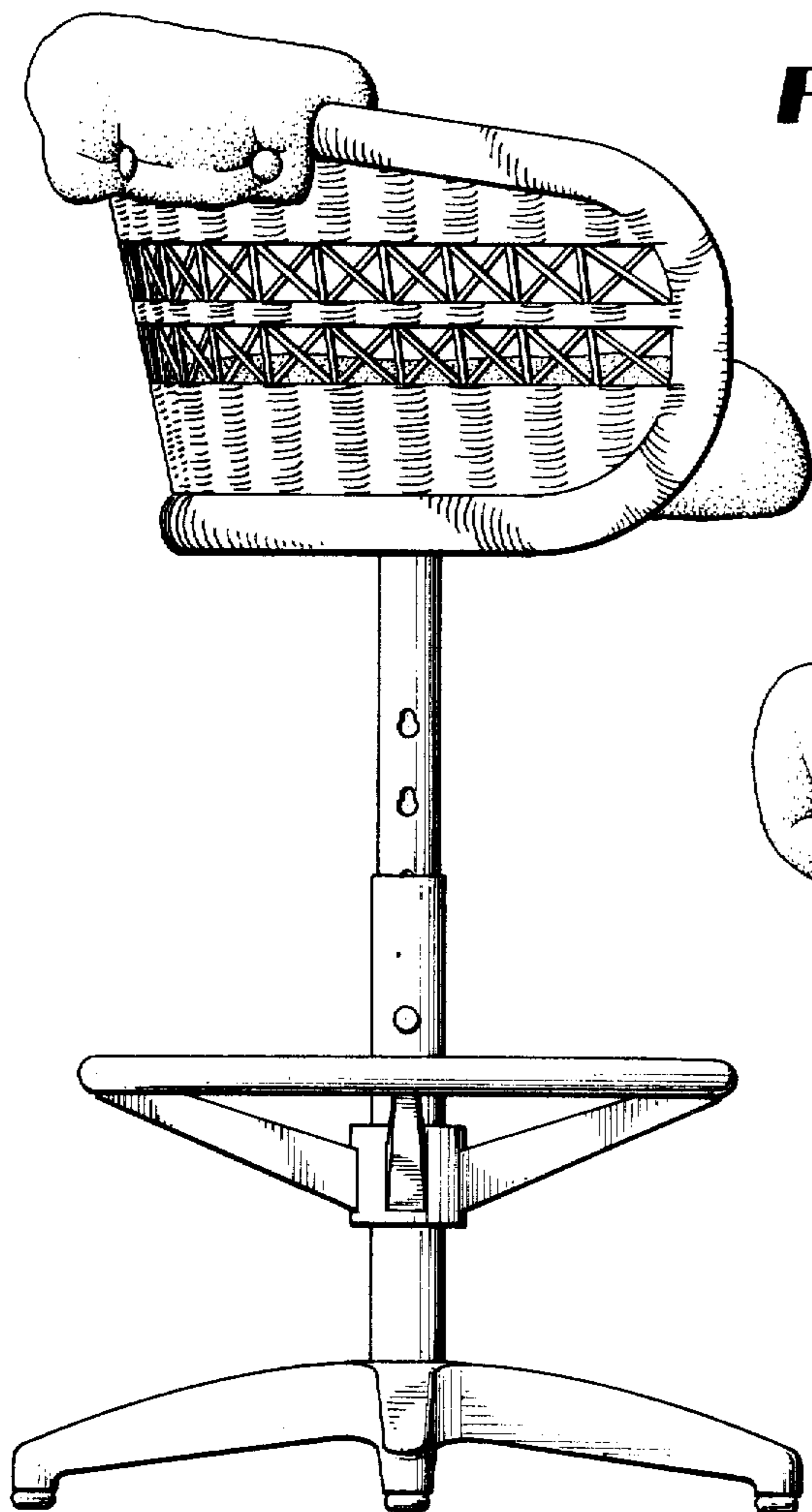


FIG. 3

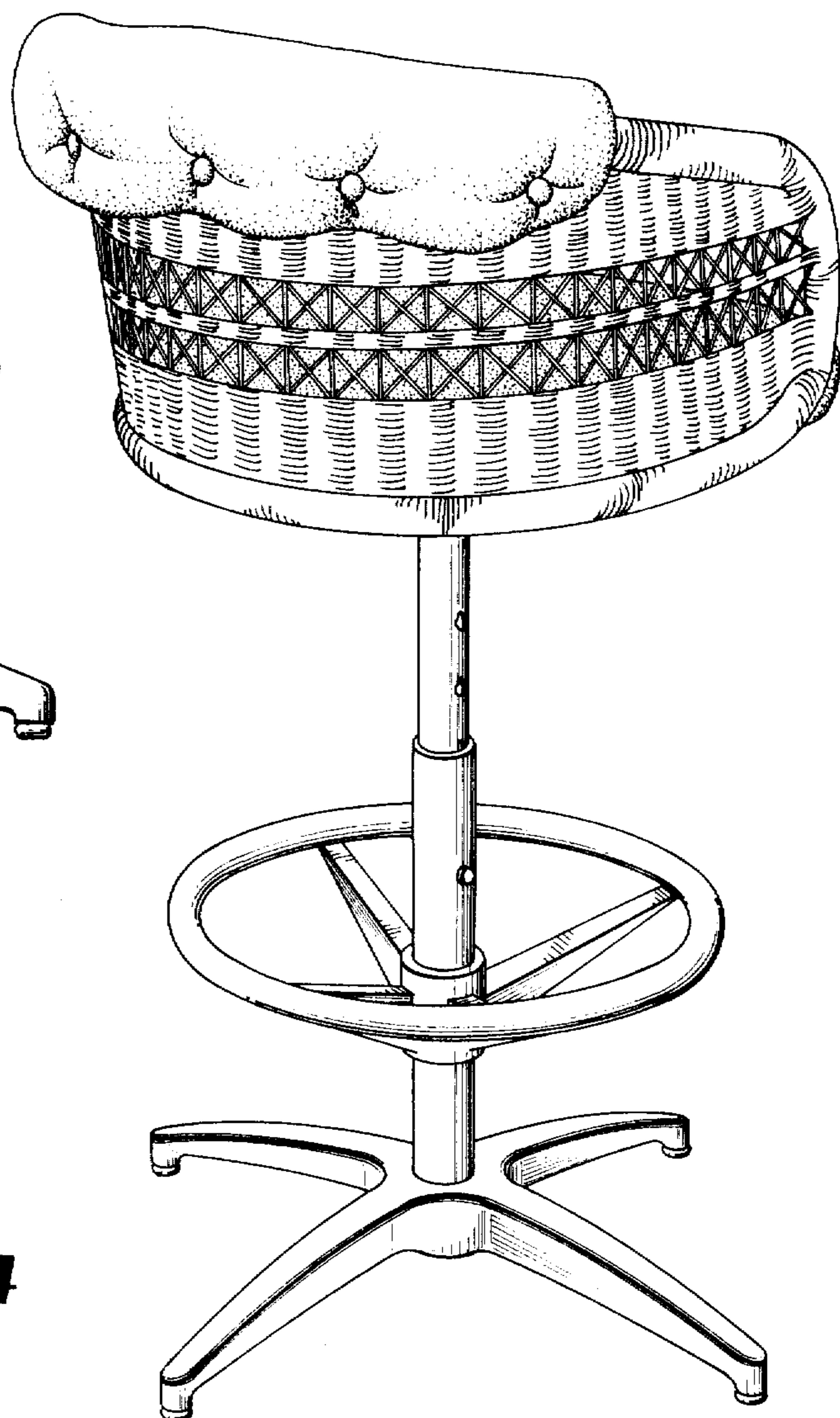


FIG. 4

FIG. 5

