

[54] PROJECTION LAMP REFLECTOR

[75] Inventor: Emmett H. Wiley, Chesterland, Ohio

[73] Assignee: General Electric Company,  
Schenectady, N.Y.

[\*\*] Term: 14 Years

[21] Appl. No.: 11,474

[22] Filed: Feb. 12, 1979

[51] Int. Cl. .... D26-05

[52] U.S. Cl. .... D26/134

[58] Field of Search ..... D26/24, 72, 75, 76,  
D26/77, 78, 80, 83, 84, 85, 87, 89, 90, 92, 88,  
118, 128, 130, 131, 133, 134, 135, 136, 137, 60,  
61, 62, 66; 362/311, 317, 329, 341-342, 349,  
350, 362, 804, 244, 240, 242, 245, 246, 249, 263,  
264, 269, 270, 296, 297, 298

[56] References Cited

U.S. PATENT DOCUMENTS

2,442,923 8/1948 Tuck ..... 362/342 X  
3,314,331 4/1967 Wiley ..... 362/296 X

FOREIGN PATENT DOCUMENTS

633520 12/1961 Canada ..... 362/350

Primary Examiner—Susan J. Lucas  
Attorney, Agent, or Firm—Norman C. Fulmer;  
Lawrence R. Kempton

[57] CLAIM

The ornamental design for a projection lamp reflector,  
as shown and described.

DESCRIPTION

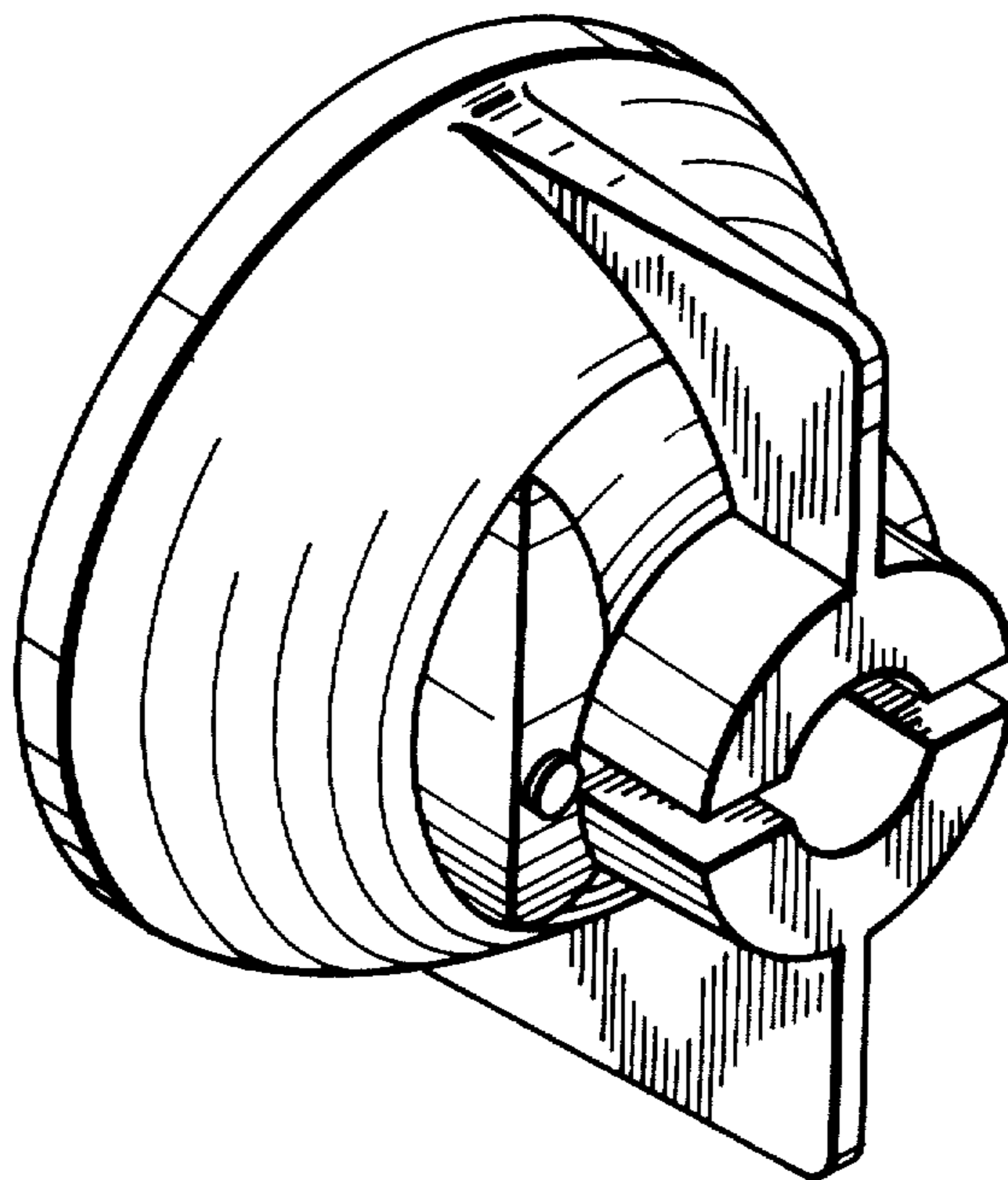
FIG. 1 is a perspective view of a projection lamp reflector according to the invention;

FIG. 2 is a front elevational view thereof on a reduced scale;

FIG. 3 is a side elevational view thereof on a reduced scale;

FIG. 4 is a rear elevational view thereof on a reduced scale; and,

FIG. 5 is a plan view thereof on a reduced scale.



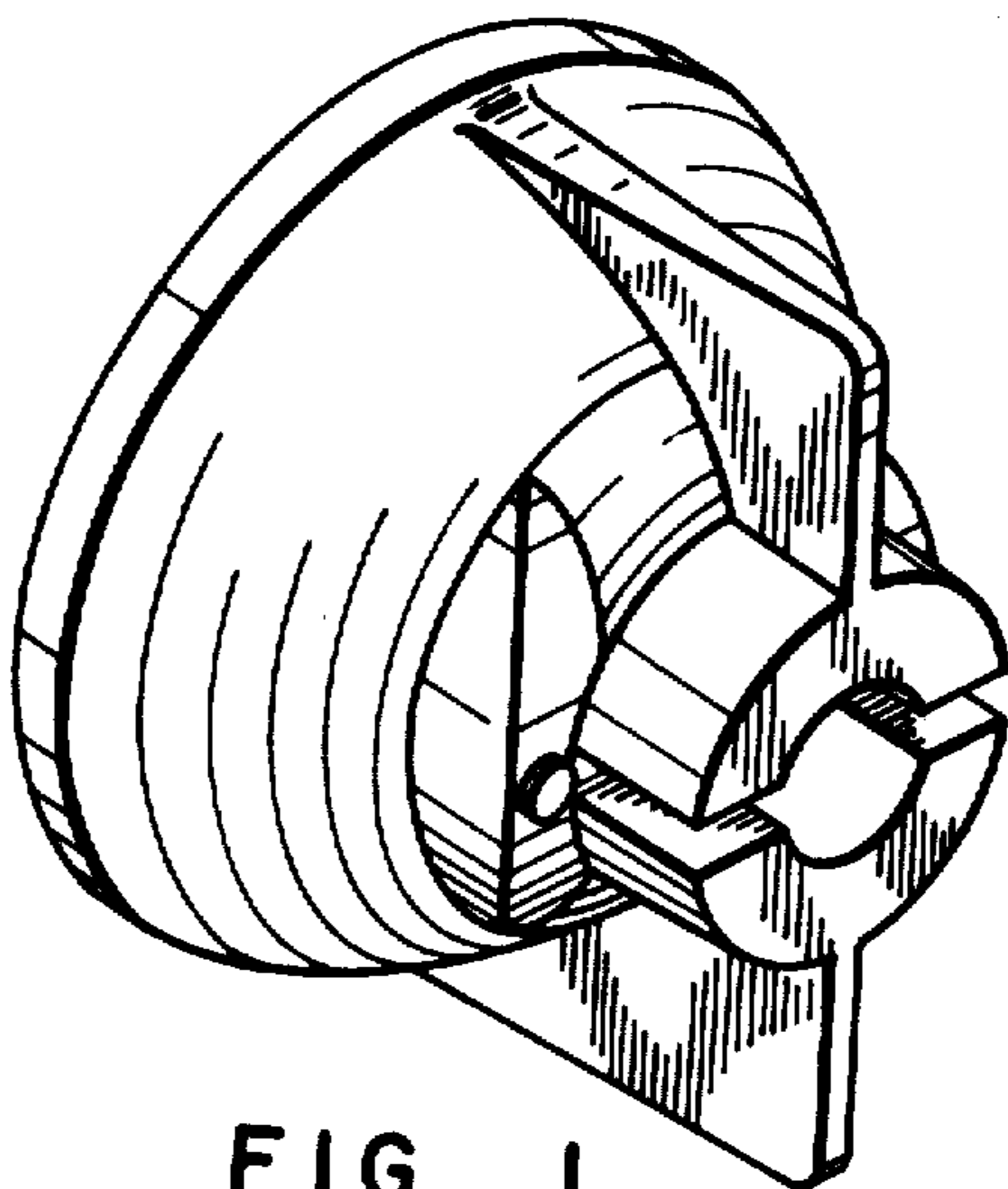


FIG. 1

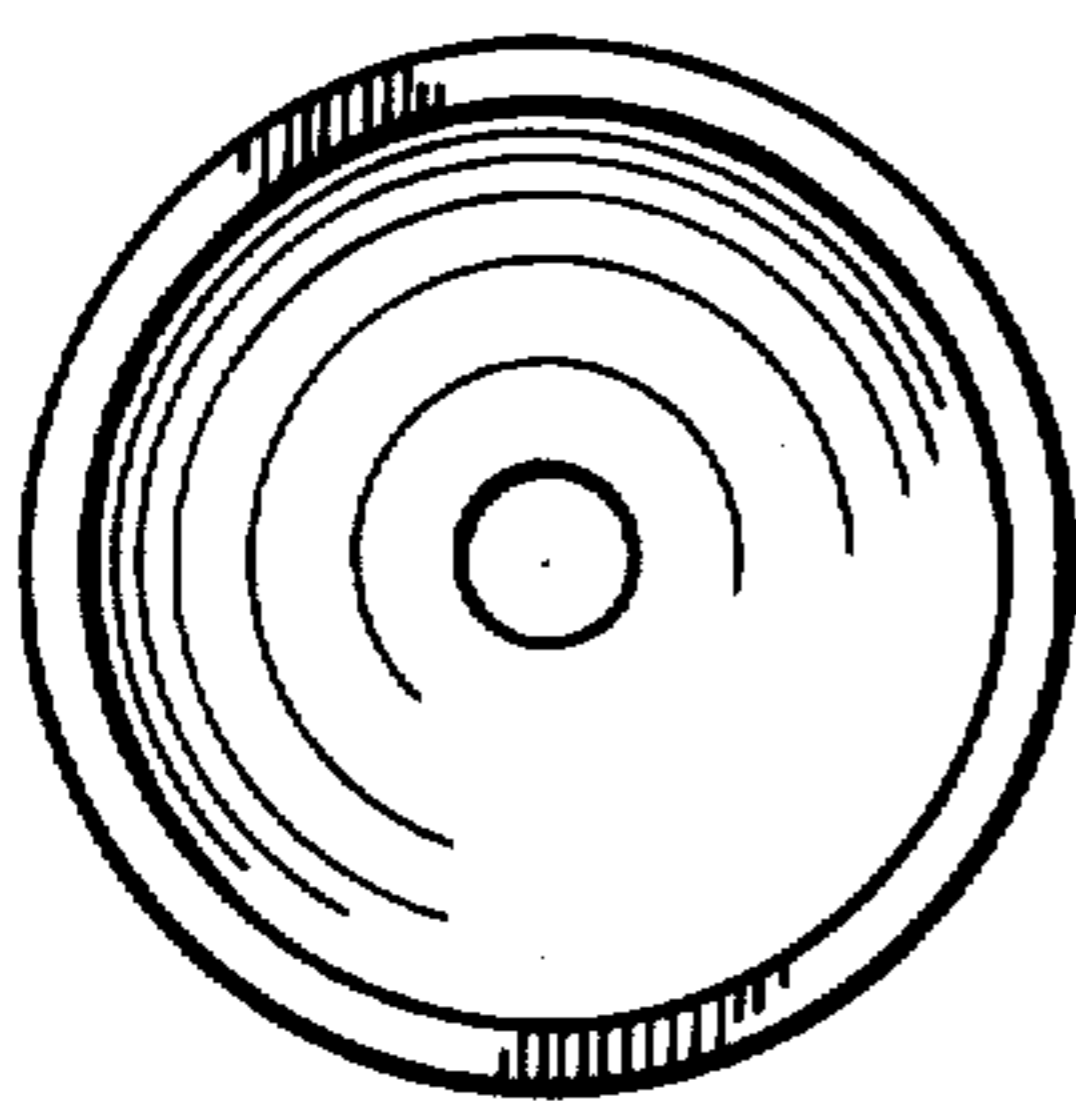


FIG. 2

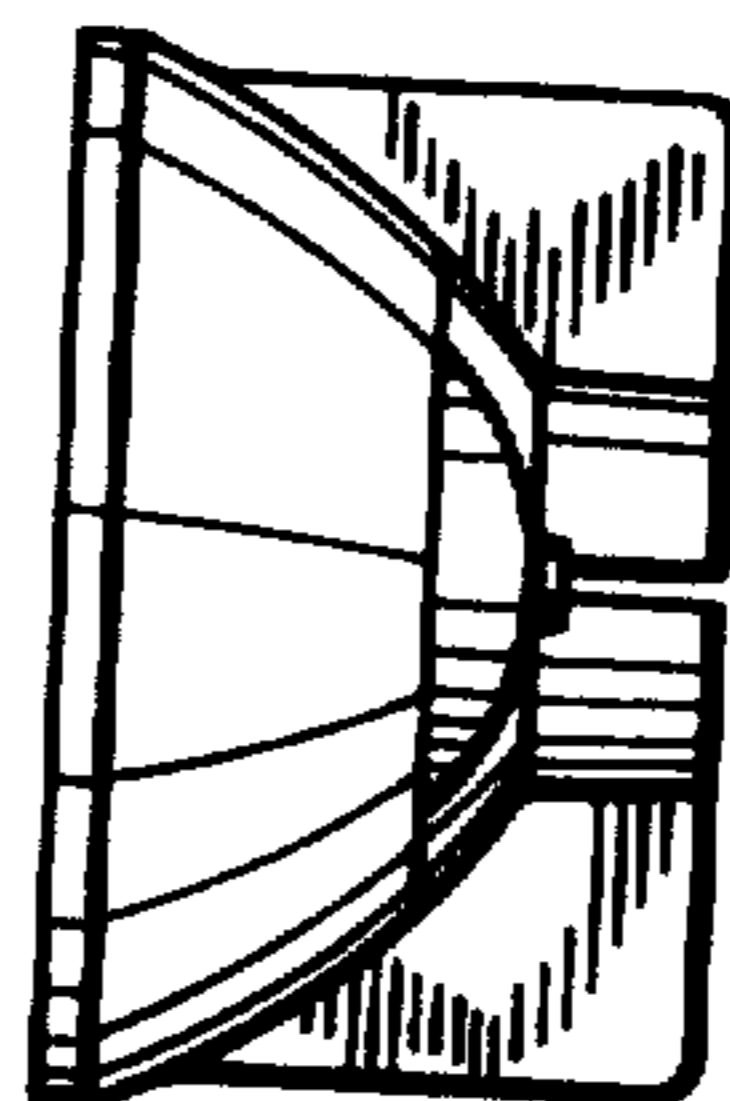


FIG. 3

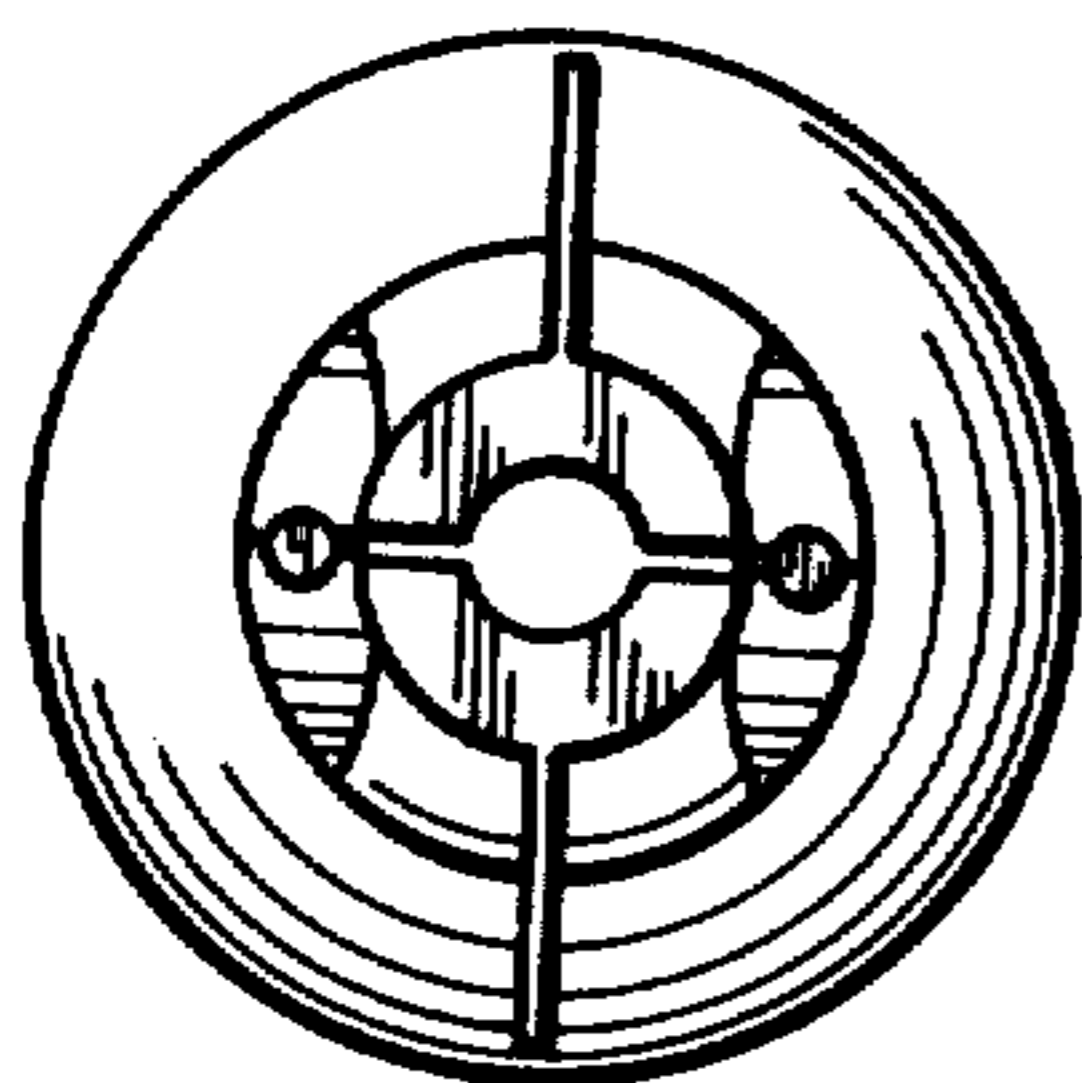


FIG. 4

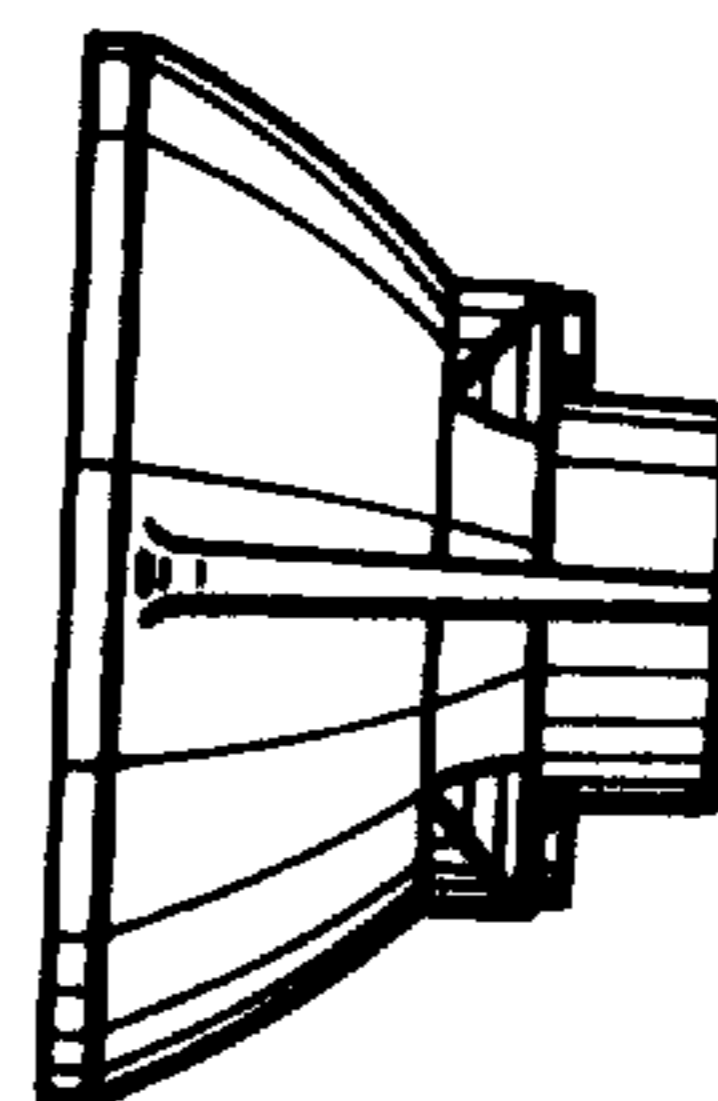


FIG. 5