

[54] FLUORESCENT LAMP UNIT

[75] Inventors: Joseph P. Wotowiec, Cuyahoga Falls, Ohio; Thurman Bows, New Smyrna Beach, Fla.

[73] Assignee: General Electric Company, Schenectady, N.Y.

[**] Term: 14 Years

[21] Appl. No.: 1,777

[22] Filed: Jan. 8, 1979

[51] Int. Cl. D26-05

[52] U.S. Cl. D26/93; D26/79

[58] Field of Search D26/3, 26, 75, 79; 362/216, 217, 222, 223, 224, 225, 226; 313/220, 221, 222, 315

[56] References Cited

U.S. PATENT DOCUMENTS

D. 188,915 9/1960 Reaves D26/79 X

2,626,346	1/1953	Stoller	362/216
2,697,777	12/1954	Rosa	362/216
2,769,083	10/1956	Archer	362/216
2,878,372	3/1959	Fry	362/216
3,059,137	10/1962	Reaves	362/216

FOREIGN PATENT DOCUMENTS

1956900 5/1971 Fed. Rep. of Germany 362/216

Primary Examiner—Susan J. Lucas
Attorney, Agent, or Firm—Norman C. Fulmer;
Lawrence R. Kempton; Philip L. Schlamp

[57] CLAIM

The ornamental design for a fluorescent lamp unit, as shown and described.

DESCRIPTION

FIG. 1 is a perspective view of a fluorescent lamp unit showing our new design.

FIG. 2 is a side view of the lamp unit on a reduced scale.

FIG. 3 is a bottom view of the lamp unit on a reduced scale.

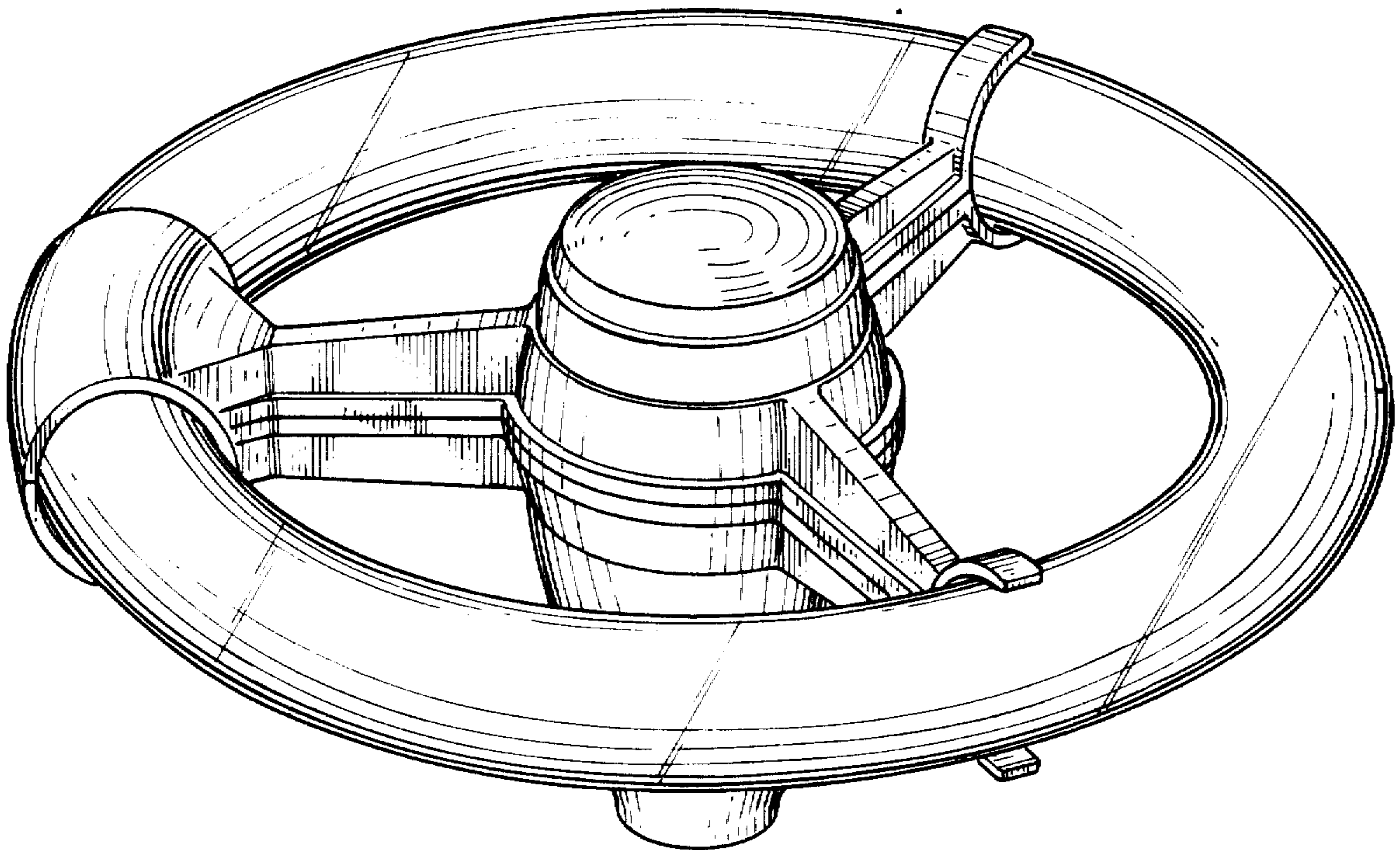


Fig. 1

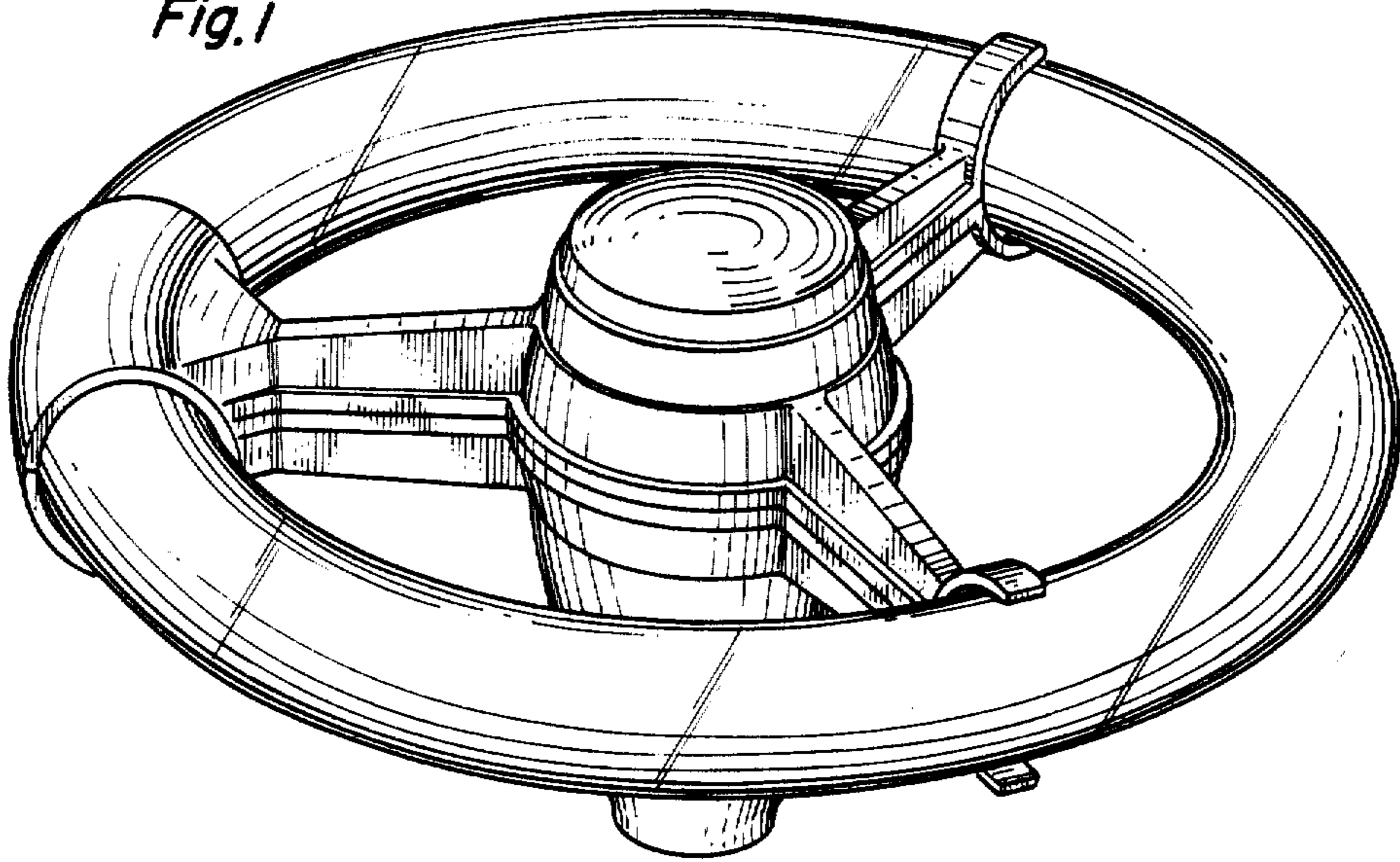


Fig. 2

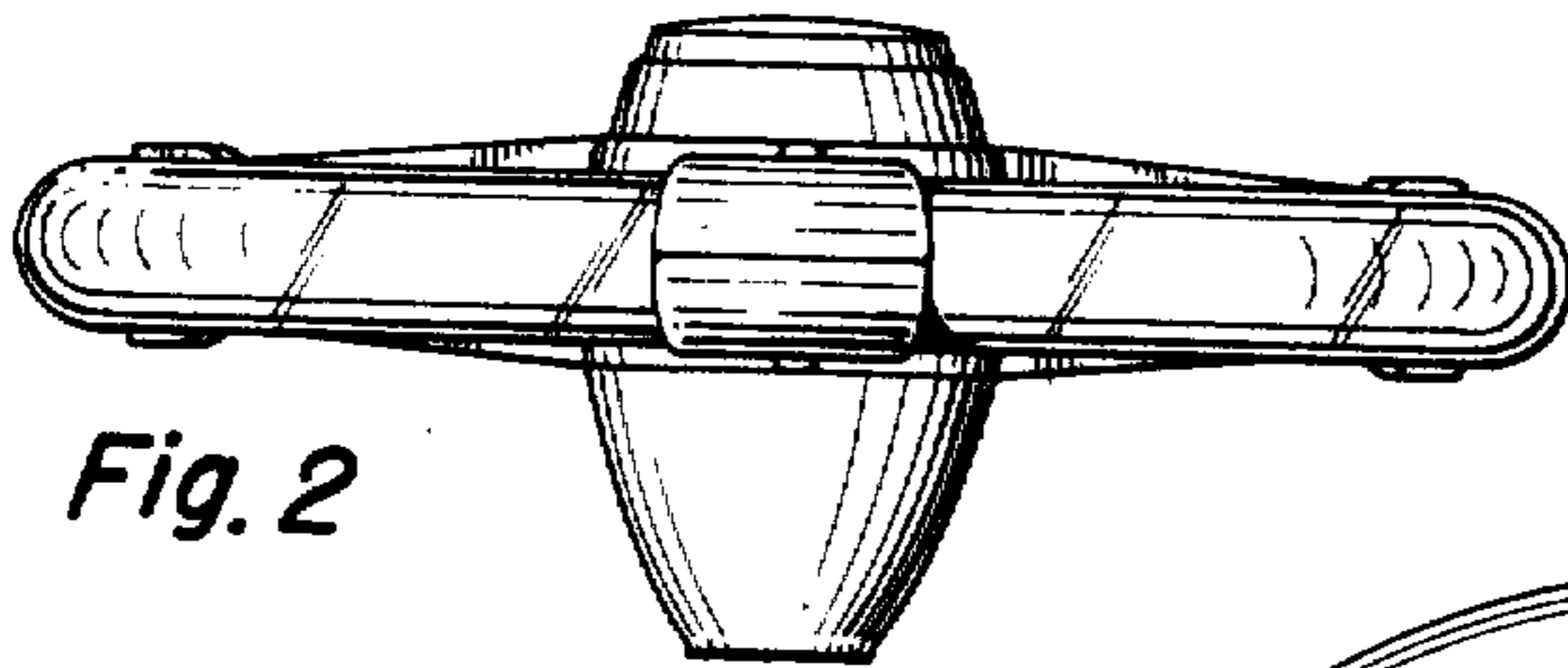


Fig. 3

