

[54] FLUORESCENT LAMP UNIT

[75] Inventors: **Joseph P. Wotowiec**, Cuyahoga Falls, Ohio; **Thurman Bows**, New Smyrna Beach, Fla.

[73] Assignee: **General Electric Company**, Schenectady, N.Y.

[**] Term: **14 Years**

[21] Appl. No.: **1,771**

[22] Filed: **Jan. 8, 1979**

[51] Int. Cl. **D26—05**

[52] U.S. Cl. **D26/93; D26/79**

[58] Field of Search **D26/3, 26, 75, 79, 93, D26/110, 103; 362/216, 217, 222, 223, 224, 225, 226, 410, 412**

[56]

References Cited

U.S. PATENT DOCUMENTS

D. 188,915	9/1960	Reaves	D26/79 X
2,626,346	1/1953	Stoller	362/216
2,697,777	12/1954	Rosa	362/216
2,769,083	10/1956	Archer	362/216
2,878,372	3/1959	Fry	362/216
3,059,137	10/1962	Reaves	362/216

FOREIGN PATENT DOCUMENTS

1956900	5/1971	Fed. Rep. of Germany	362/216
---------	--------	----------------------------	---------

Primary Examiner—Susan J. Lucas
Attorney, Agent, or Firm—Norman C. Fulmer;
Lawrence R. Kempton; Philip L. Schlamp

[57]

CLAIM

The ornamental design for a fluorescent lamp unit, as shown and described.

DESCRIPTION

FIG. 1 is a perspective view of a fluorescent lamp unit showing our new design.

FIG. 2 is a side view of the lamp unit on a reduced scale.

FIG. 3 is a top view of the lamp unit on a reduced scale.

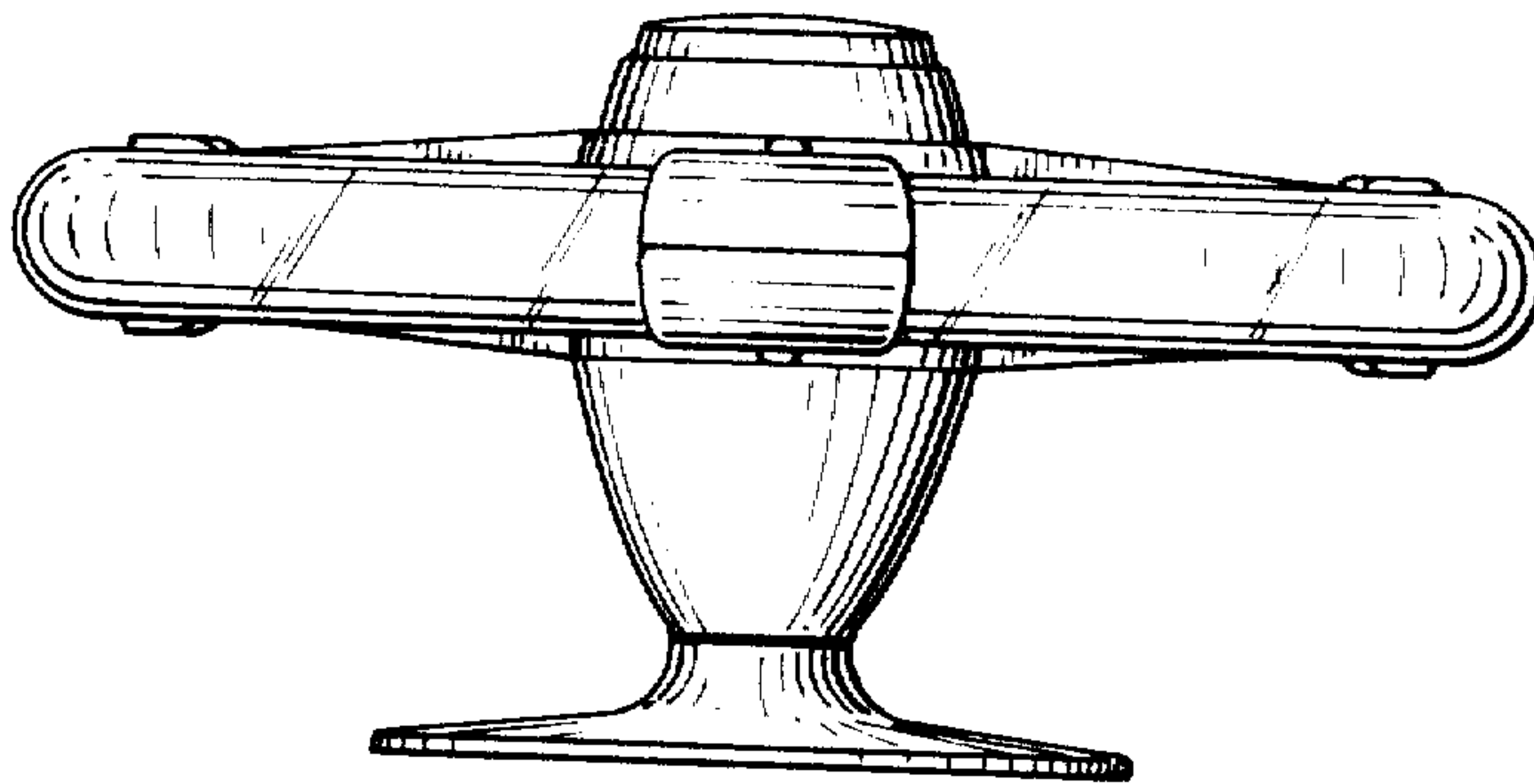


Fig. 1

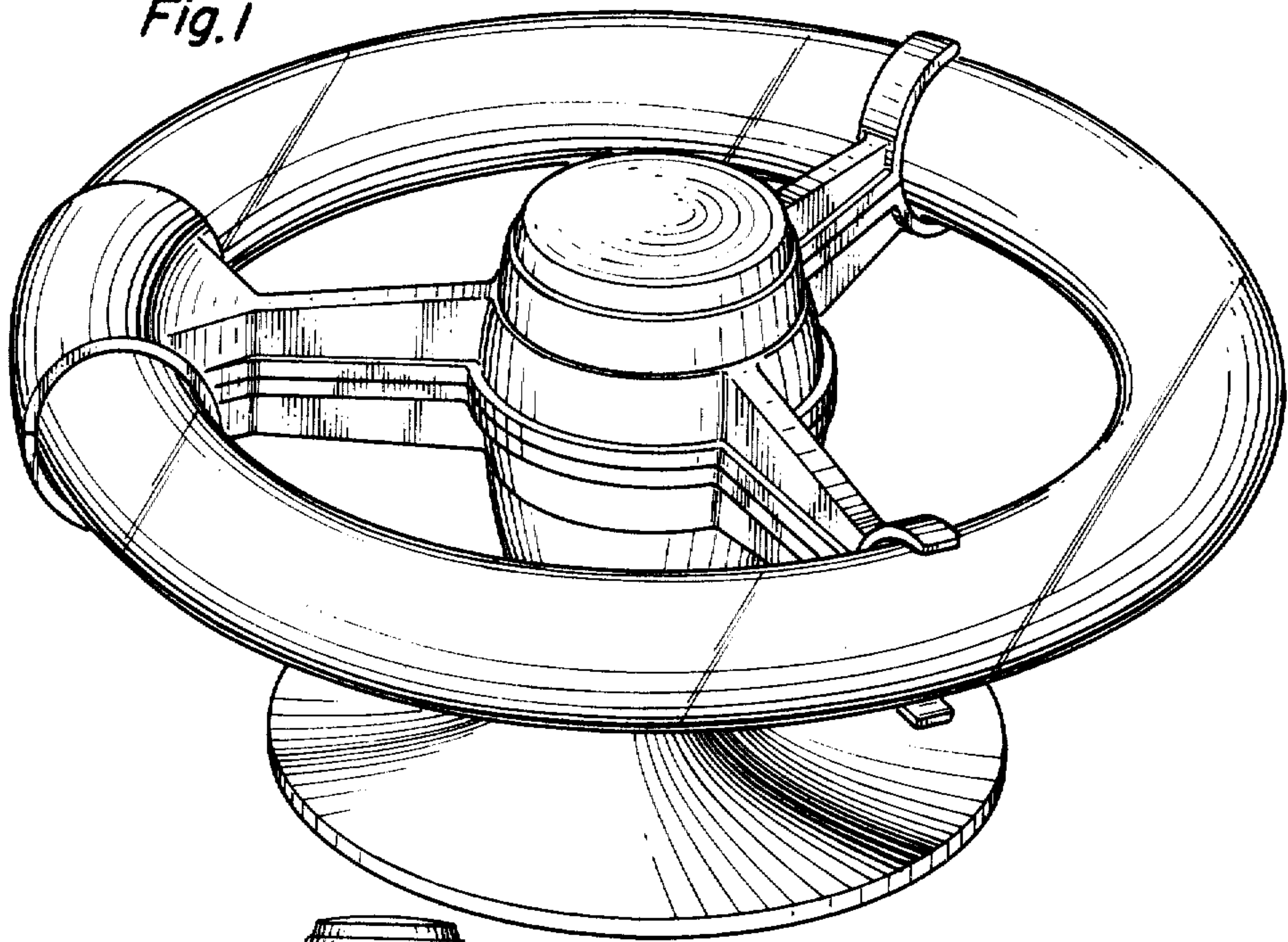


Fig. 2

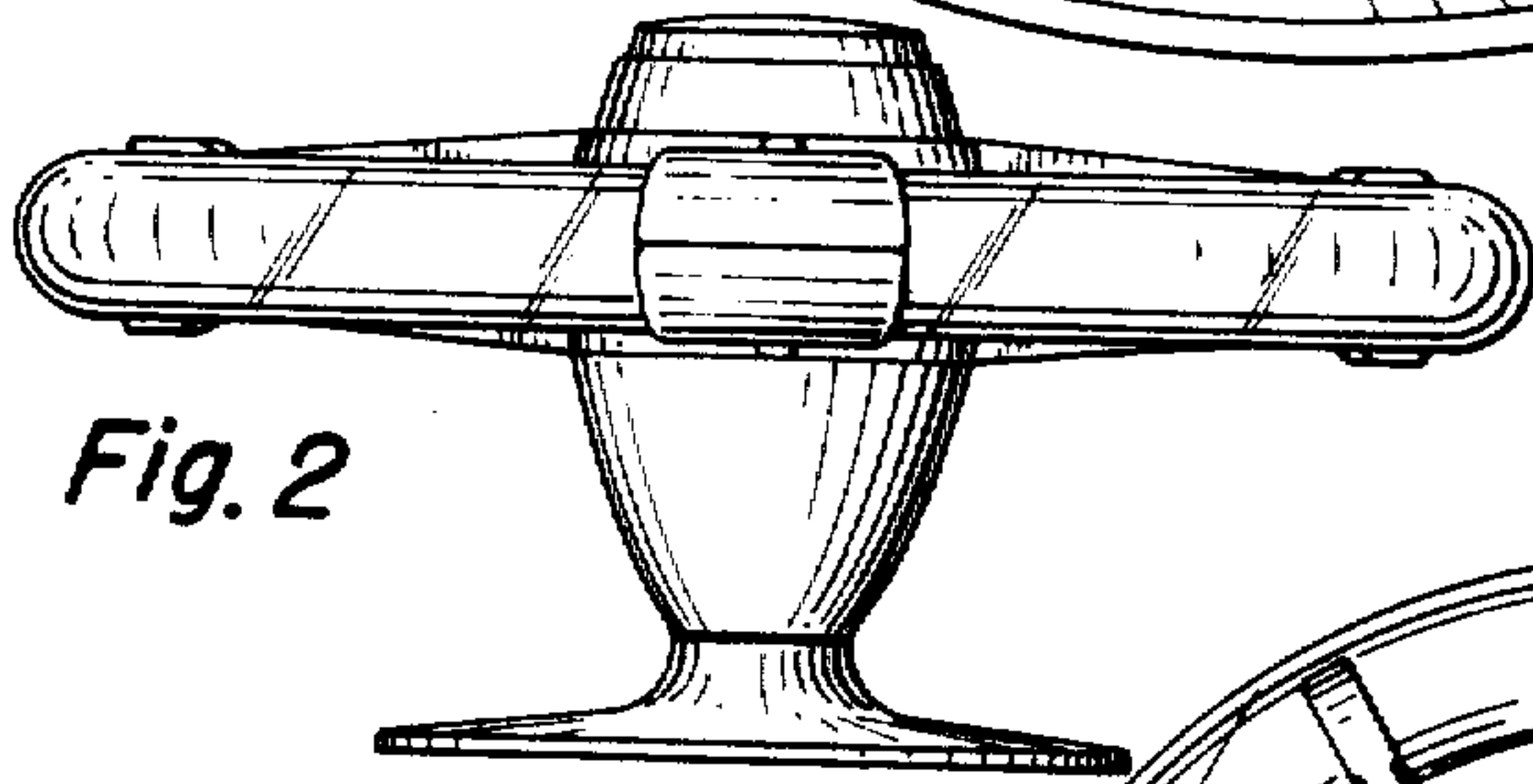


Fig. 3

