

[54] **FLUORESCENT LAMP UNIT**
[75] Inventors: **Joseph P. Wotowiec**, Cuyahoga Falls, Ohio; **Thurman Bows**, New Smyrna Beach, Fla.

2,626,346	1/1953	Stoller	362/216
2,697,777	12/1954	Rosa	362/216
2,769,083	10/1956	Archer	362/216
2,878,372	3/1959	Fry	362/216
3,059,137	10/1962	Reaves	362/216

[73] Assignee: **General Electric Company**, Schenectady, N.Y.

FOREIGN PATENT DOCUMENTS

1956900	5/1971	Fed. Rep. of Germany	362/216
---------	--------	----------------------	---------

[**] Term: **14 Years**

Primary Examiner—Susan J. Lucas
Attorney, Agent, or Firm—Norman C. Fulmer; Lawrence R. Kempton; Philip L. Schlamp

[21] Appl. No.: **1,775**

[22] Filed: **Jan. 8, 1979**

[51] **Int. Cl.** **D26—05**

[52] **U.S. Cl.** **D26/26; D26/79**

[58] **Field of Search** **D26/3, 26, 75, 79; 362/216, 217, 222, 223, 224, 225, 226; 313/220, 221, 315**

[57] **CLAIM**

The ornamental design for a fluorescent lamp unit, as shown and described.

DESCRIPTION

FIG. 1 is a perspective view of a fluorescent lamp unit showing our new design.

FIG. 2 is a side view of the lamp unit on a reduced scale.

FIG. 3 is a bottom view of the lamp unit on a reduced scale.

[56] **References Cited**

U.S. PATENT DOCUMENTS

D. 188,915	9/1960	Reaves	D26/79 X
------------	--------	--------	----------

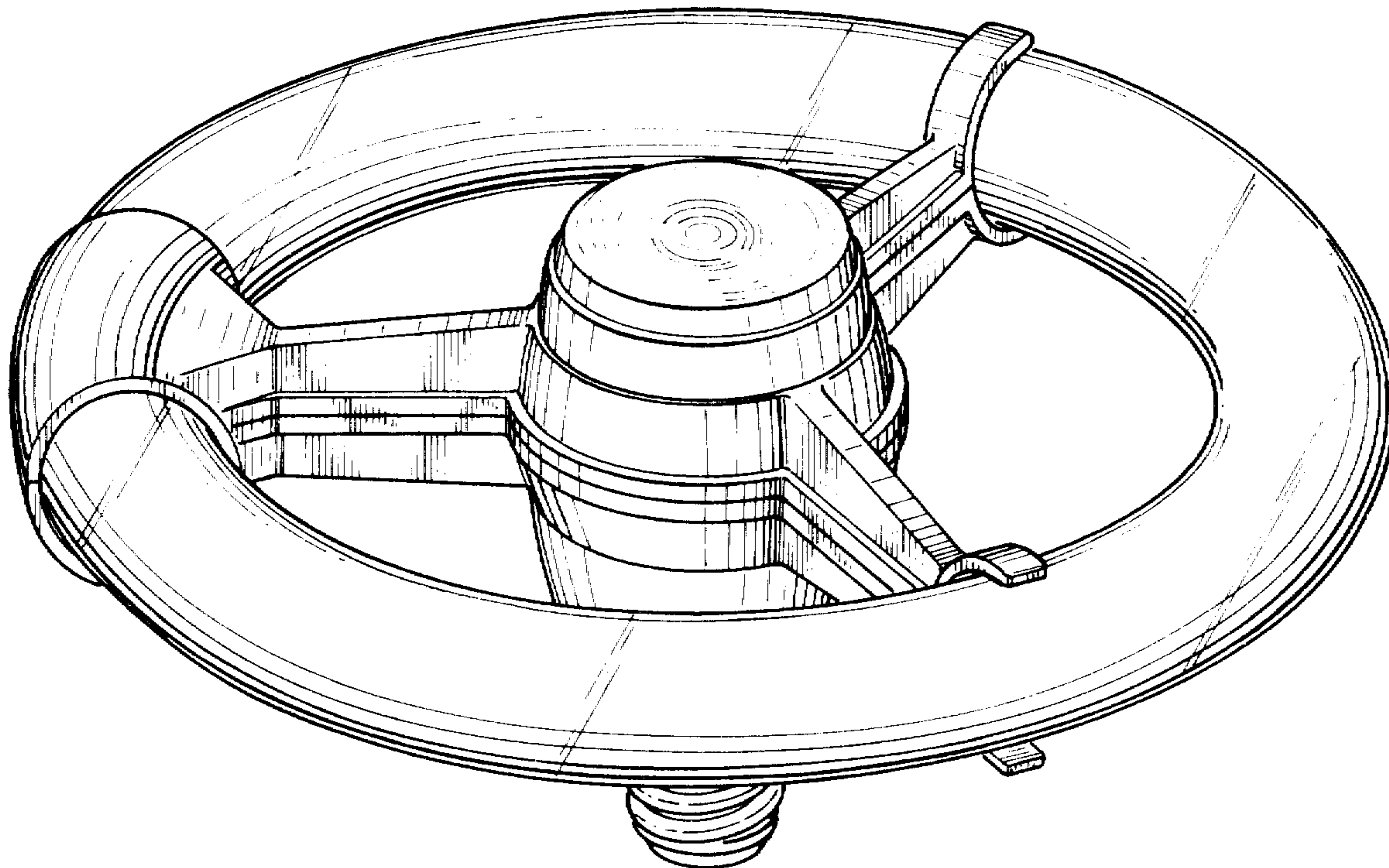


Fig. 1

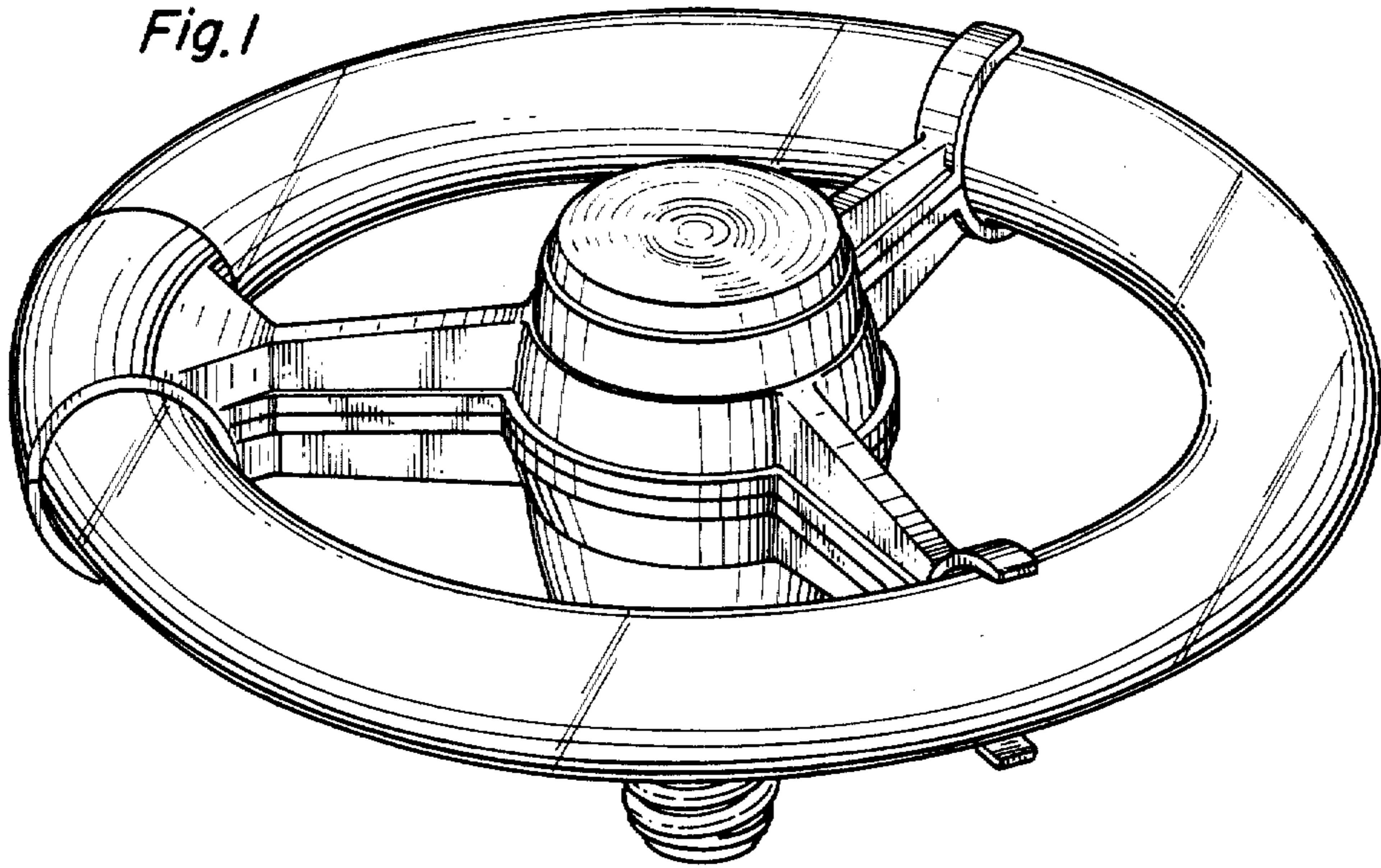


Fig. 2

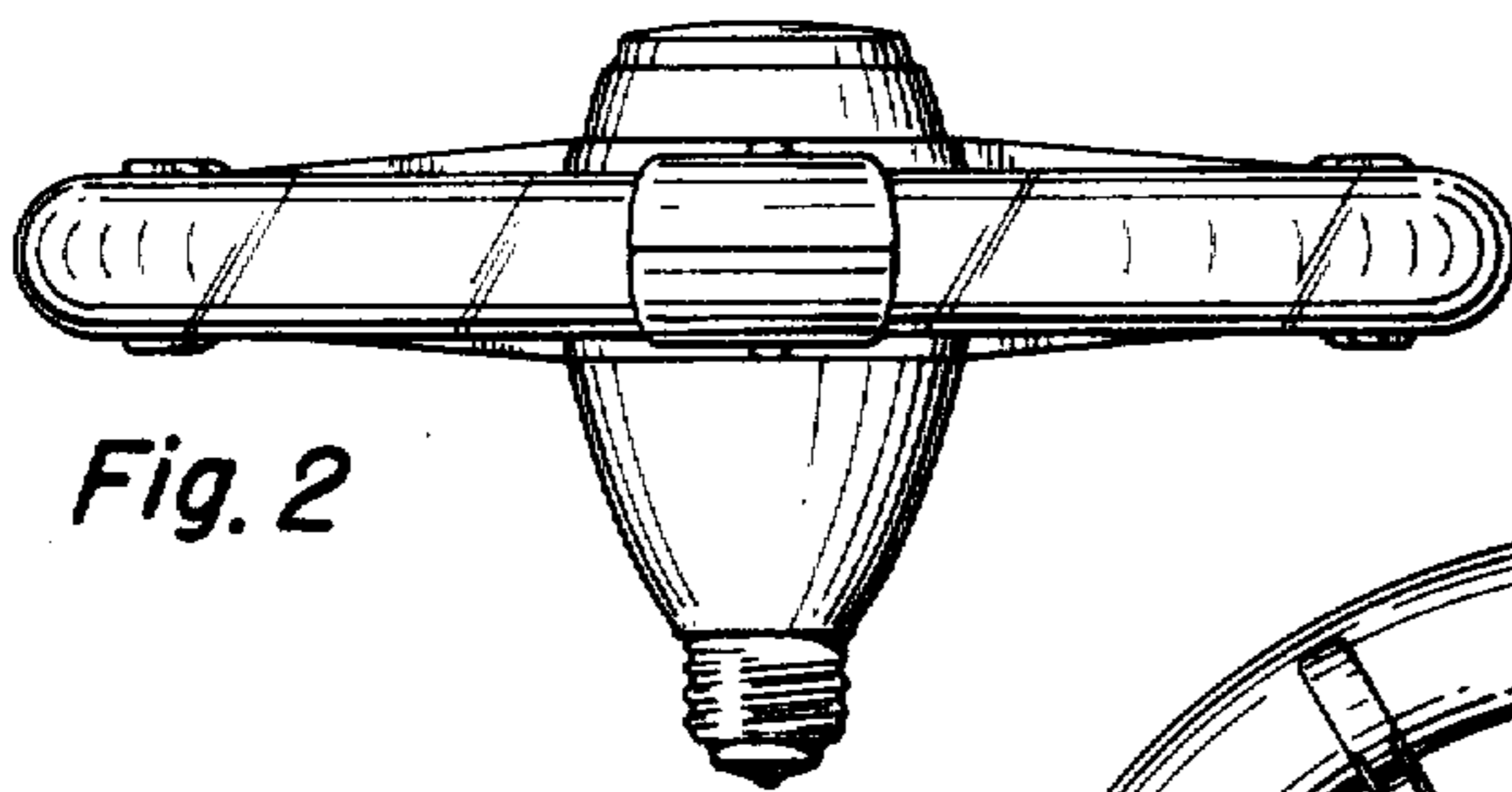


Fig. 3

