

[54] BEACON LAMP

[75] Inventor: Clifford D. Price, Birmingham, England

[73] Assignee: Lucas Industries Limited, Birmingham, England

[**] Term: 14 Years

[21] Appl. No.: 925,840

[22] Filed: Jul. 18, 1978

[30] Foreign Application Priority Data

Jan. 18, 1978 [GB] United Kingdom 983003/78

[51] Int. Cl. D26-03; D26-06

[52] U.S. Cl. D26/24; D26/28

[58] Field of Search D26/24, 28, 29, 31, D26/34, 35, 36, 128, 129, 138, 139, 142; D10/114; 340/81, 84, 87, 90, 366; 362/362, 363, 455, 456, 311

[56]

References Cited

U.S. PATENT DOCUMENTS

Re. 24,631 4/1959 Campanell 340/81 R X
D. 77,763 2/1929 Graff D26/139
2,996,607 8/1961 Witt D26/36 X

FOREIGN PATENT DOCUMENTS

1008746 2/1952 France 362/363
1510143 12/1967 France 362/311

OTHER PUBLICATIONS

Dominion Auto Automotive Products Catalog 77, 1-1977, p. 27, Revolving Warning Lamp Lens & Base #74-5136.

Primary Examiner—Susan J. Lucas
Attorney, Agent, or Firm—Holman & Stern

[57]

CLAIM

The ornamental design for a beacon lamp, as shown and described.

DESCRIPTION

FIG. 1 is a perspective view from above of a beacon lamp embodying my new design; FIG. 2 is a perspective view from below thereof; and FIG. 3 is a side elevational view thereof.

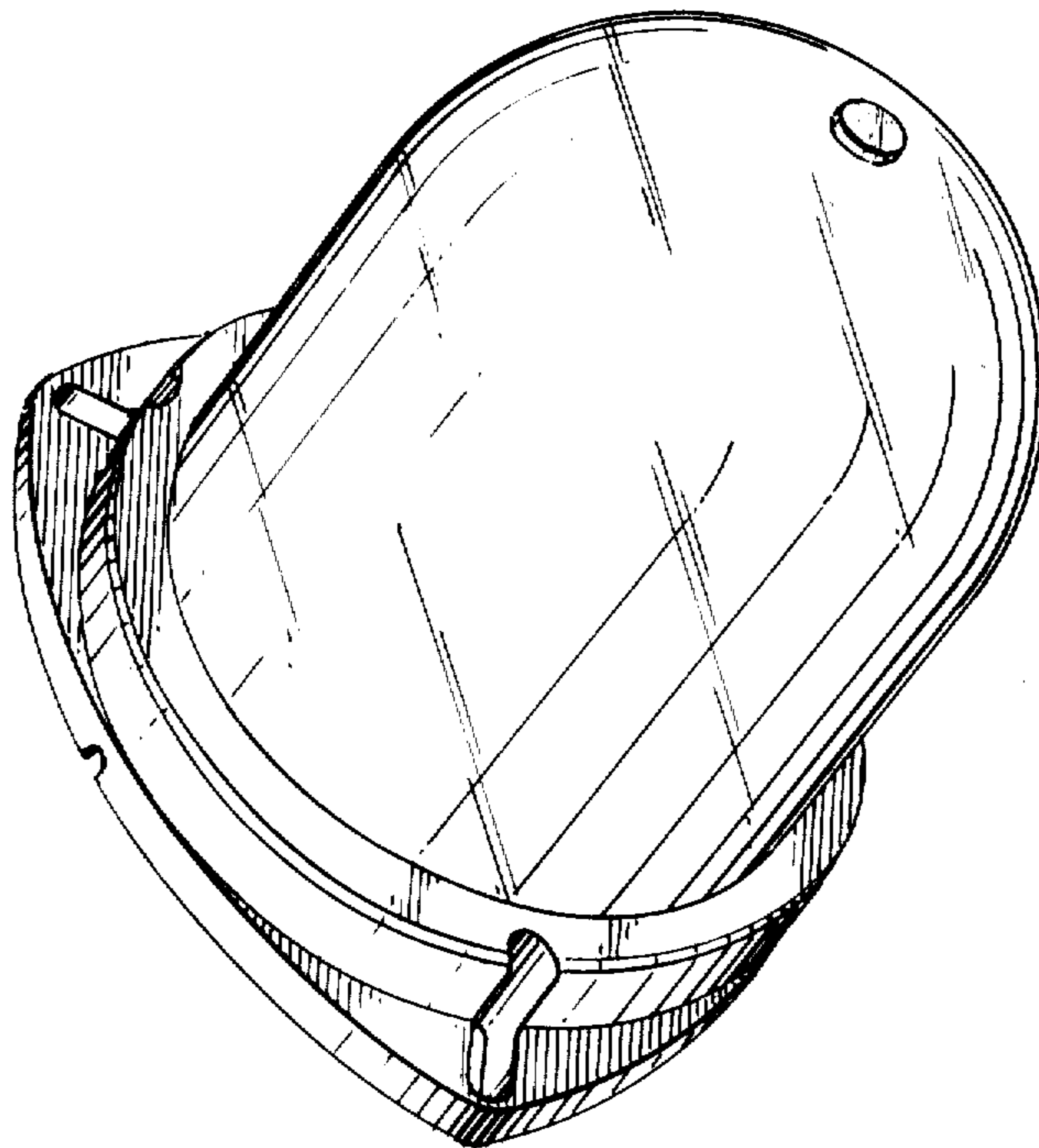


FIG. 1

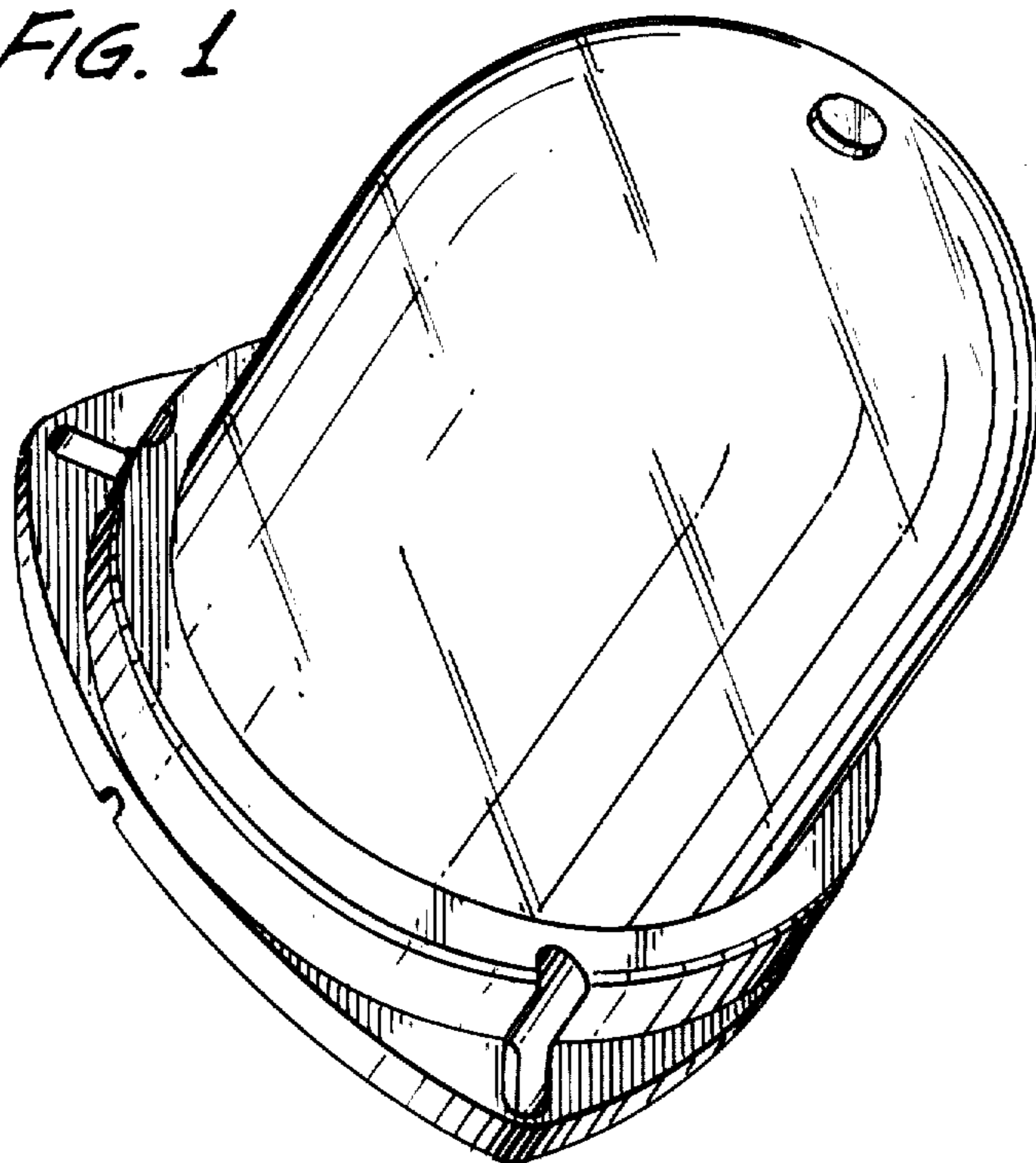
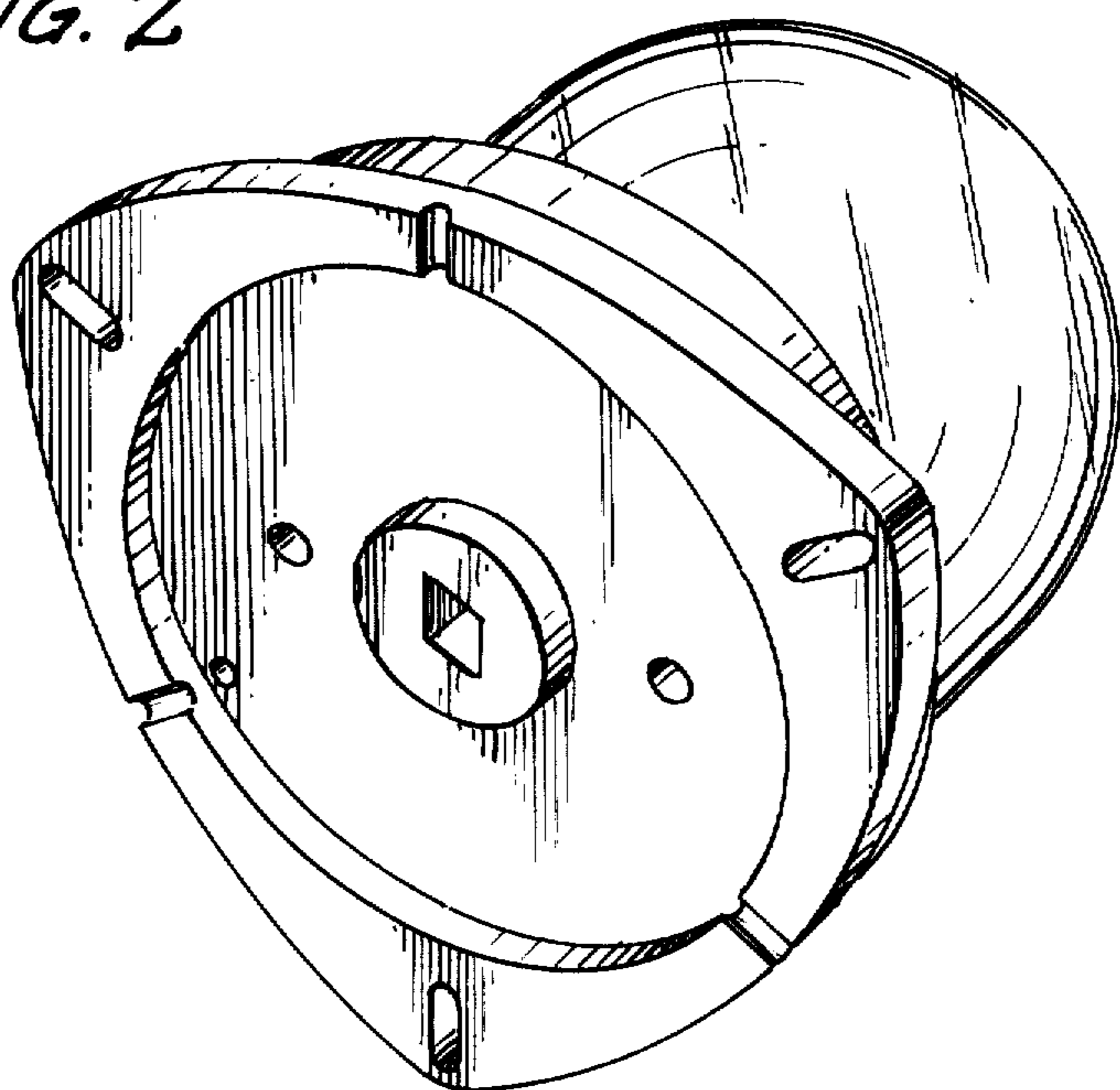


FIG. 2



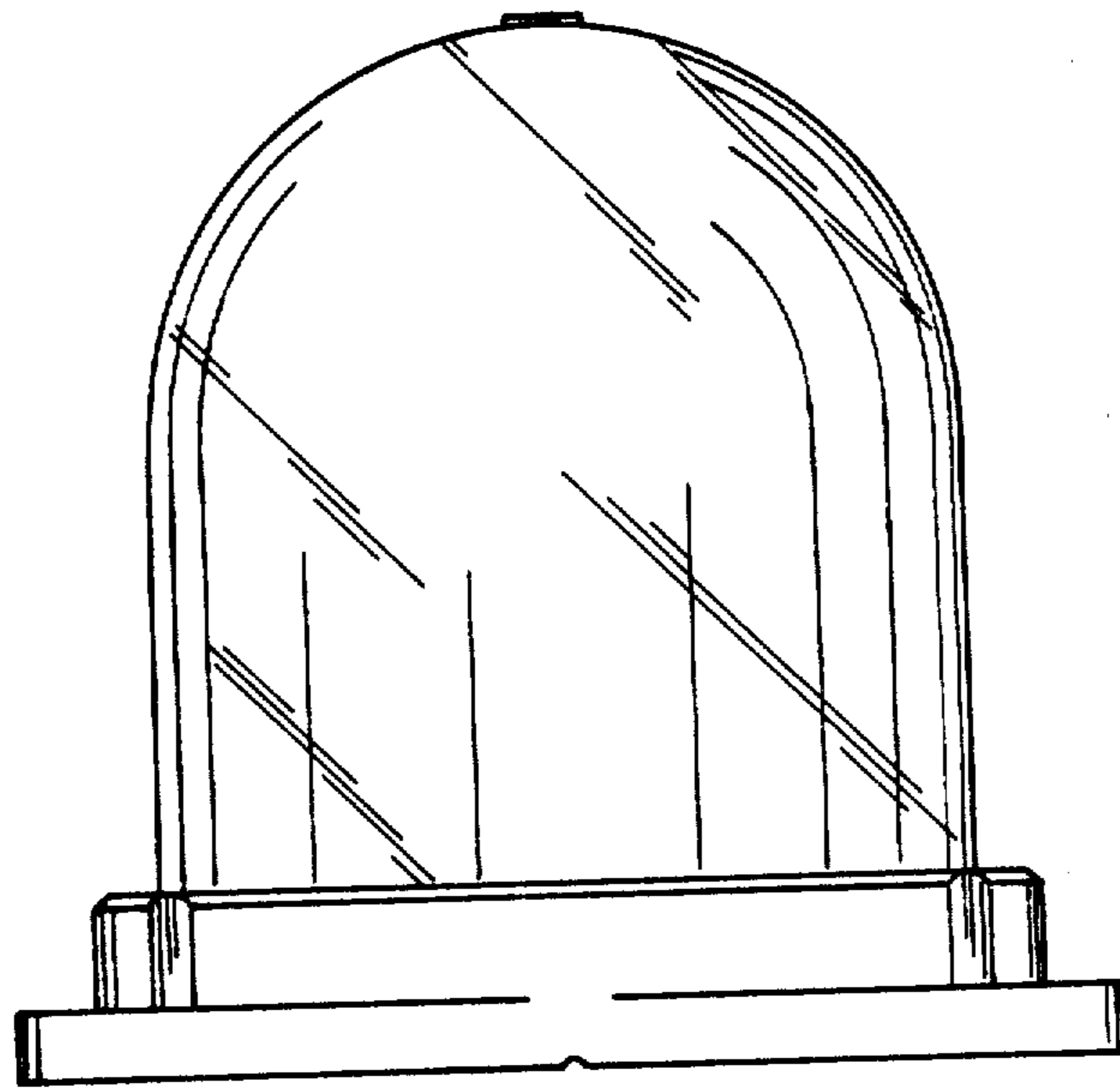


FIG. 3