

[54] MODULAR BUILDING UNIT

[76] Inventor: Leonard L. Long, The Darlington, Suite Seven., 2025 Peachtree Rd., NE. Atlanta, Ga. 30309

[**] Term: 14 Years

[21] Appl. No.: 654

[22] Filed: Jan. 2, 1979

[51] Int. Cl. D25-01

[52] U.S. Cl. D25/91

[58] Field of Search D25/87, 91, 74; 52/309, 52/312

[56] References Cited

U.S. PATENT DOCUMENTS

D. 198,527	6/1964	Long	D25/91
D. 249,230	9/1978	Van Der Veken	D25/74 X
1,552,077	9/1925	Palanti	D25/91 X
2,610,503	9/1952	Hall	D25/91 X

Primary Examiner—A. Hugo Word

Attorney, Agent, or Firm—Newton, Hopkins & Ormsby

[57] CLAIM

The ornamental design for a modular building unit, as shown and described.

DESCRIPTION

FIG. 1 is a perspective view of a first embodiment of a modular building unit, the present inventive concept. FIG. 2 is an end elevation of the unit shown in FIG. 1,

the opposite end is the same, and the end elevational views are common to all of the embodiments of the present invention.

FIG. 3 is a front and rear elevational view of the unit shown in FIG. 1.

FIG. 4 is a top plan view of FIG. 1.

FIG. 5 is a bottom plan view of FIG. 1.

FIG. 6 is a perspective view of a second embodiment, the end elevations of which are shown in FIG. 2.

FIG. 7 is a front and rear elevational view of FIG. 6.

FIG. 8 is a top plan view of FIG. 6.

FIG. 9 is a bottom plan view of FIG. 6.

FIG. 10 is a perspective view of a third embodiment of the present invention of which the end elevational views are shown in FIG. 2.

FIG. 11 is a front and rear elevational view of FIG. 10.

FIG. 12 is a top plan view of FIG. 10.

FIG. 13 is a bottom plan view of FIG. 10.

FIG. 14 is a perspective view of a fourth embodiment of the present invention of which the opposite end elevations are shown in FIG. 2.

FIG. 15 is a front and rear elevational view of FIG. 14.

FIG. 16 is a top plan view of FIG. 14.

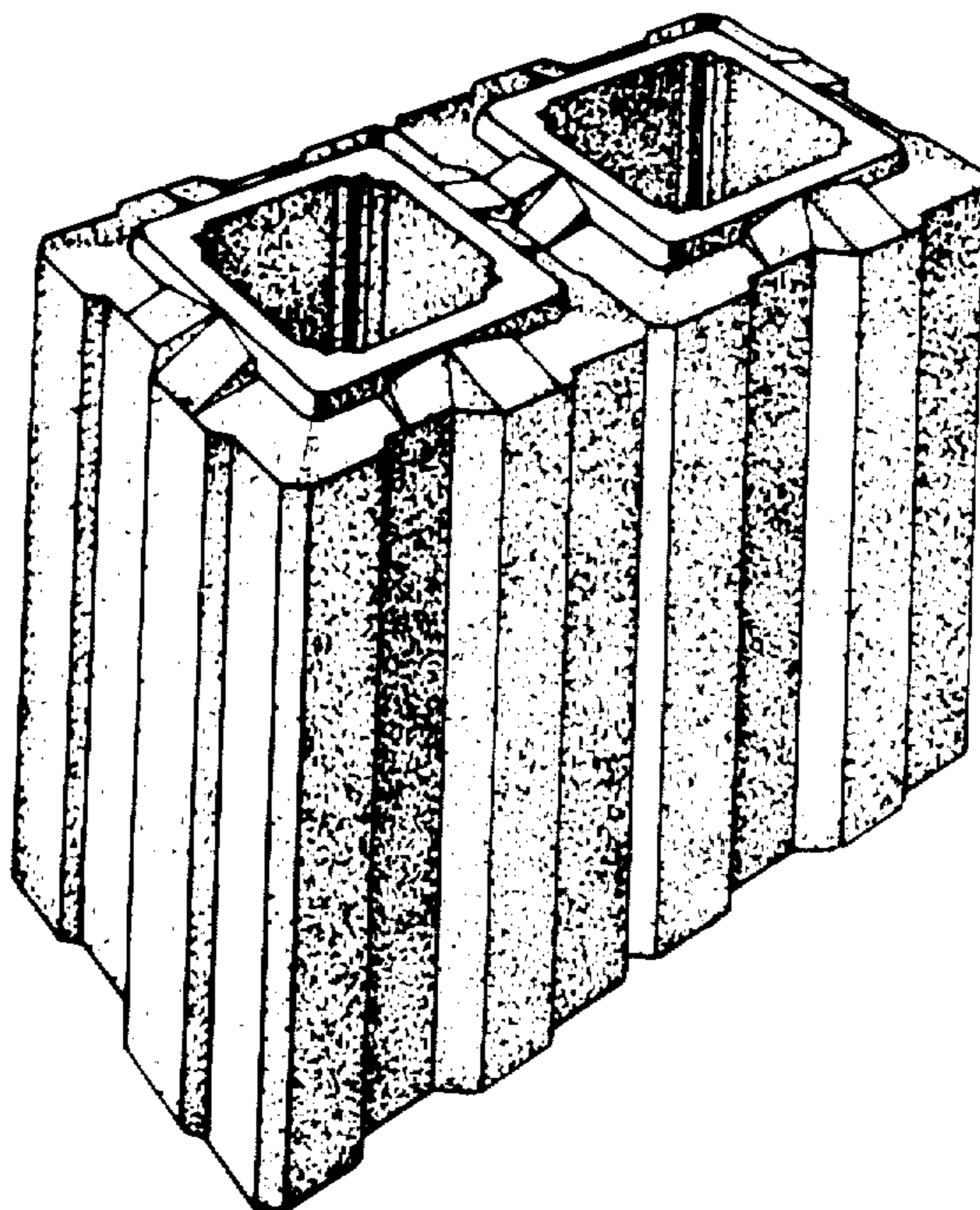
FIG. 17 is a bottom plan view of FIG. 14.

FIG. 18 is a perspective view of a further embodiment of the present invention of which the opposite end elevations are shown in FIG. 2.

FIG. 19 is a front and rear elevational view of FIG. 18.

FIG. 20 is a top plan view of FIG. 18.

FIG. 21 is a bottom plan view of FIG. 18.



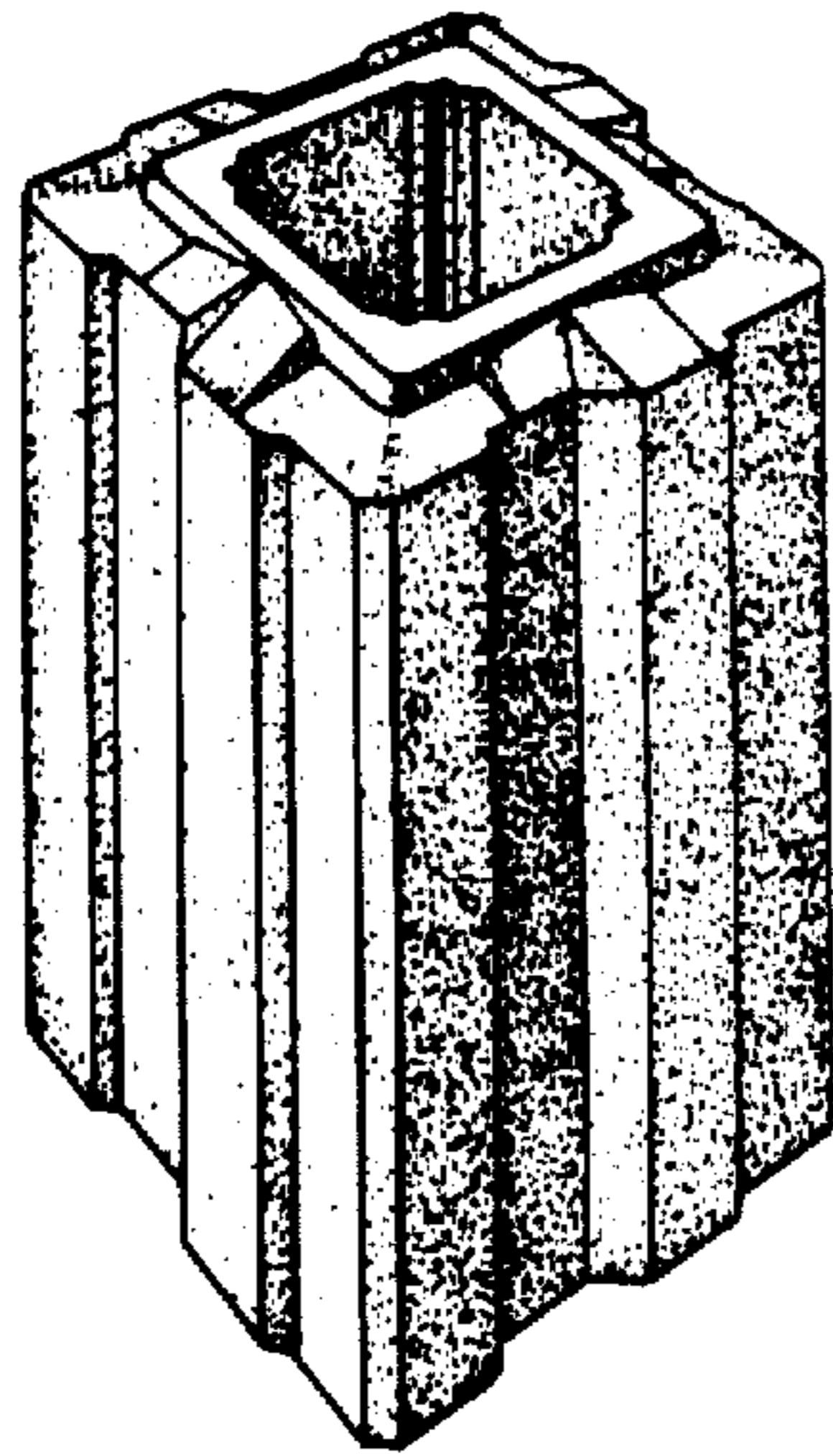


FIG 1



FIG 2



FIG 3

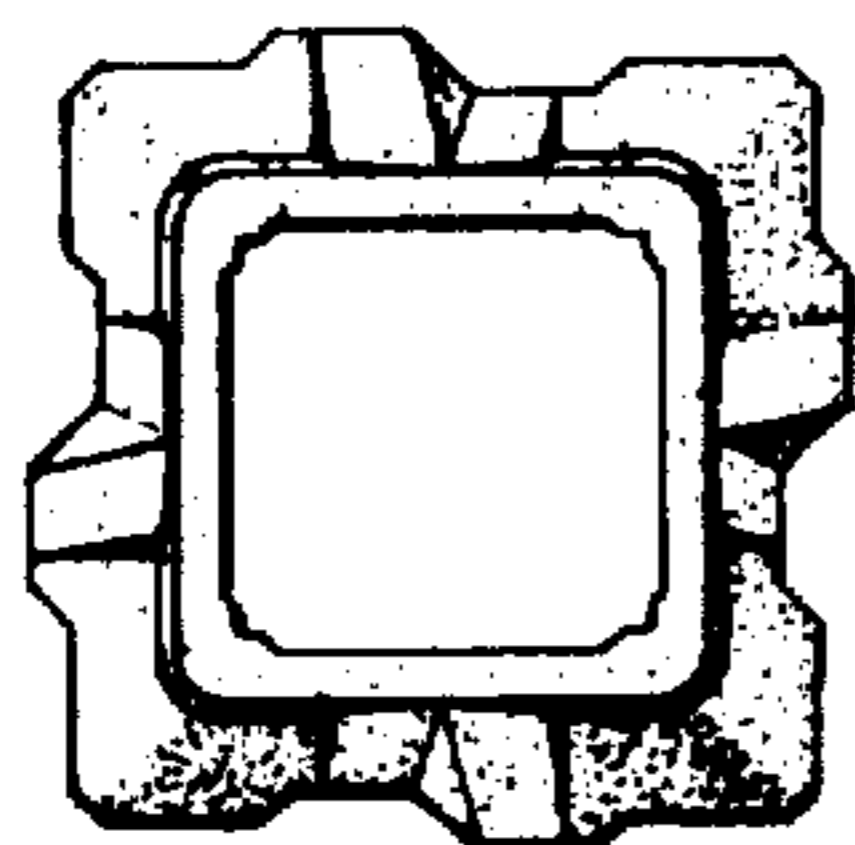


FIG 4

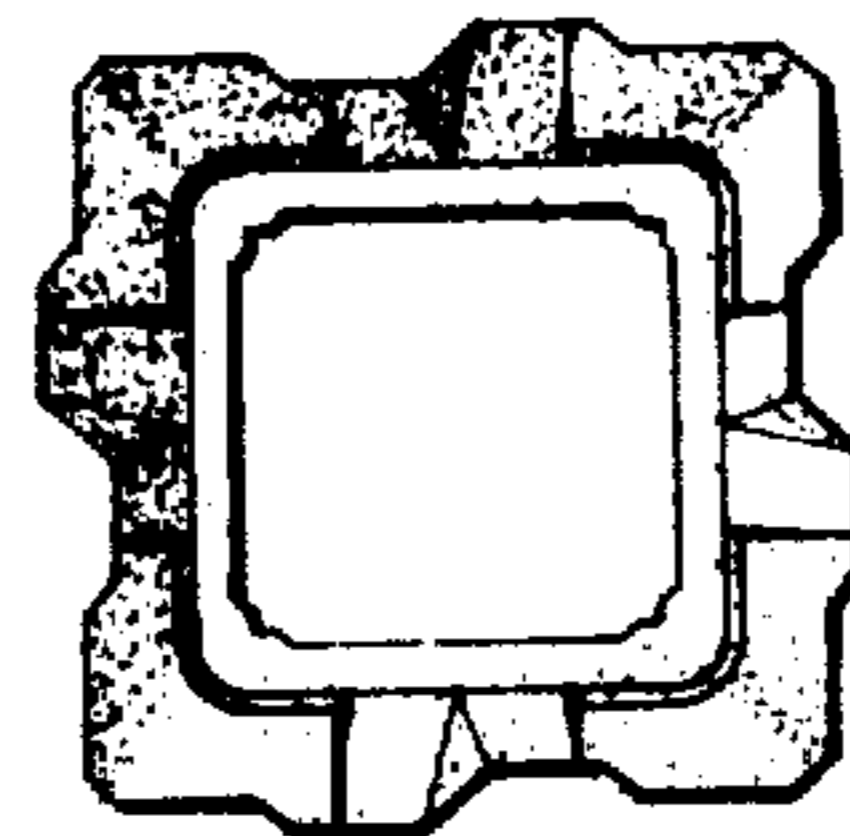


FIG 5

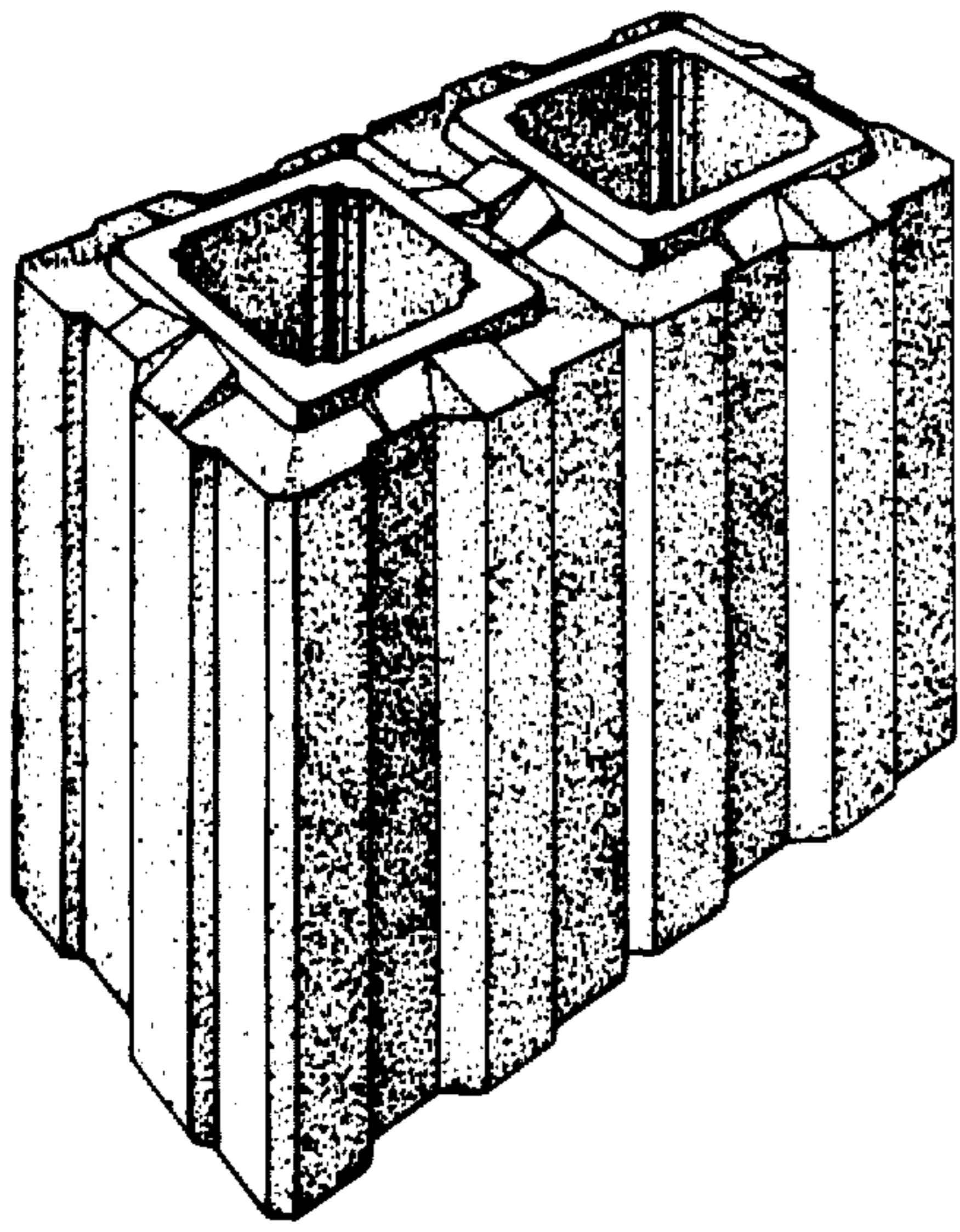


FIG 6

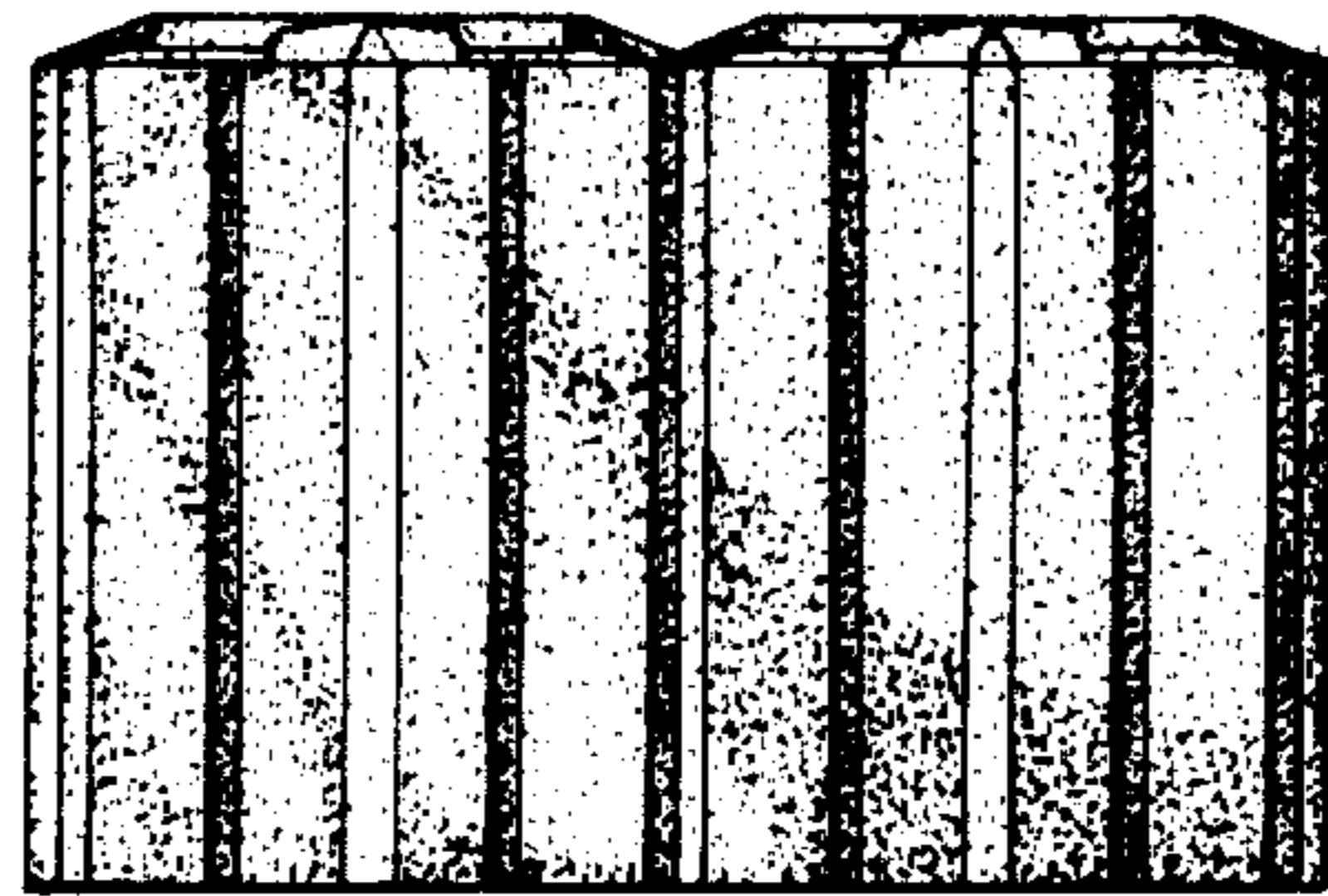


FIG 7

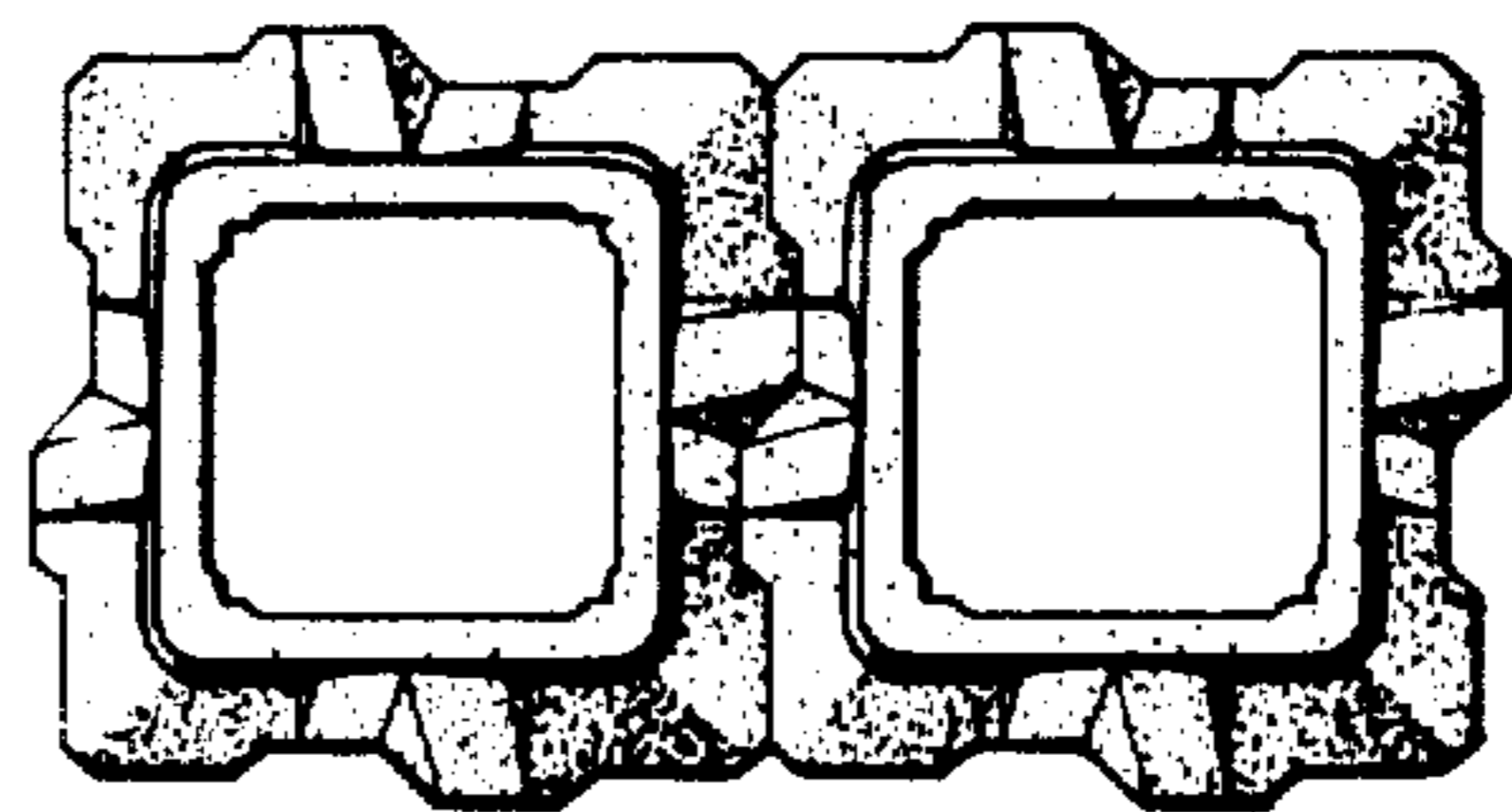


FIG 8

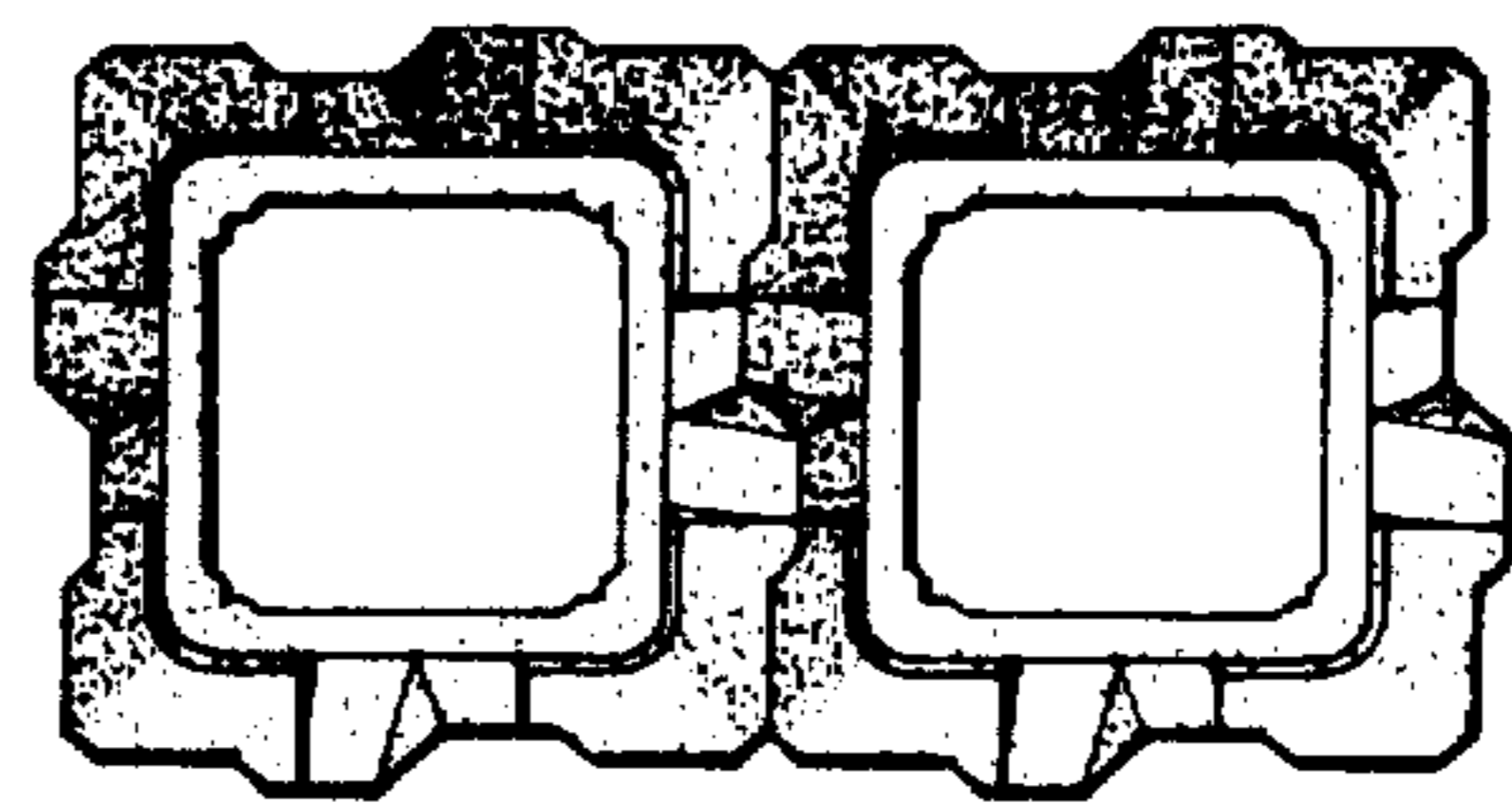


FIG 9

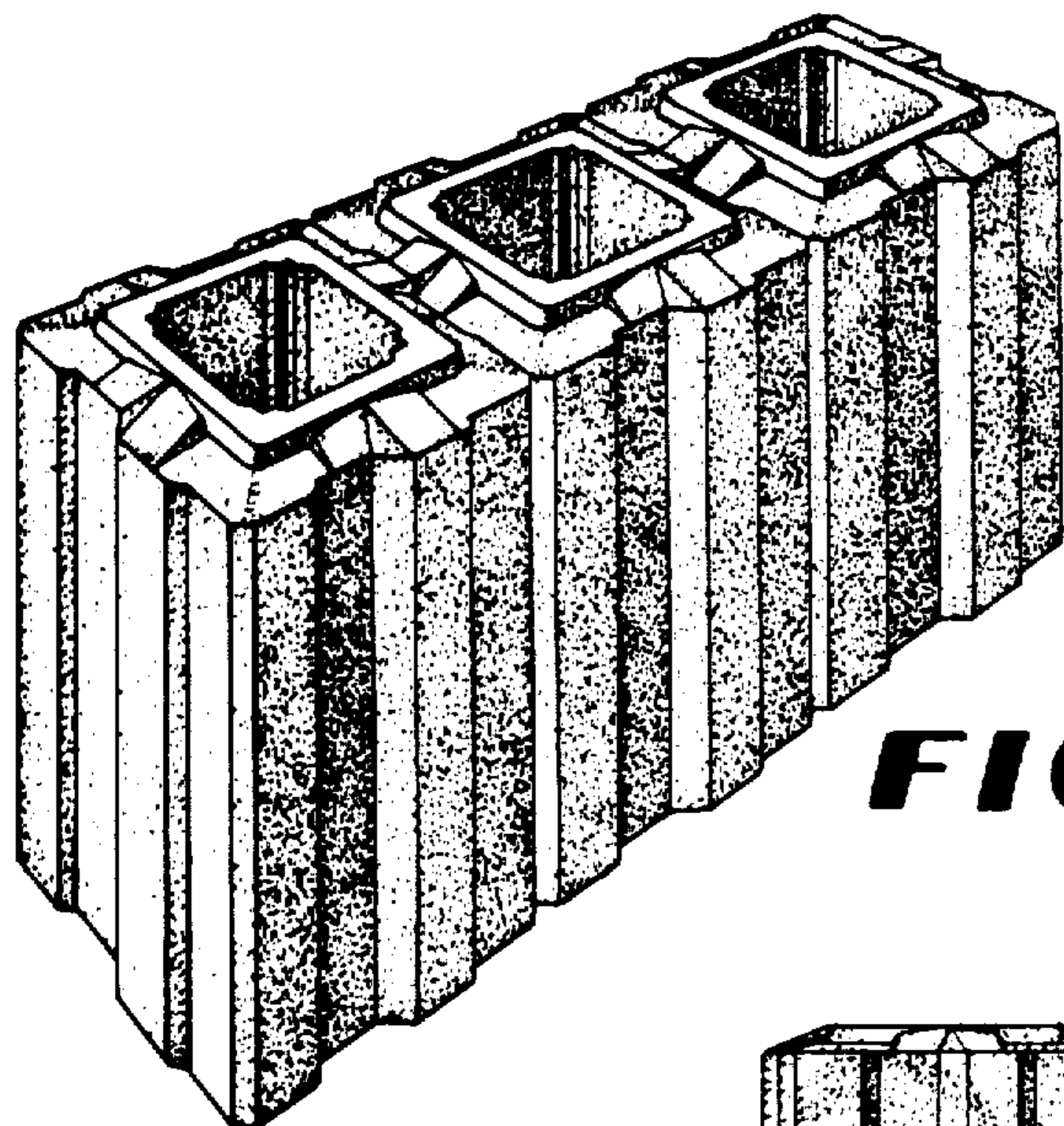


FIG 10

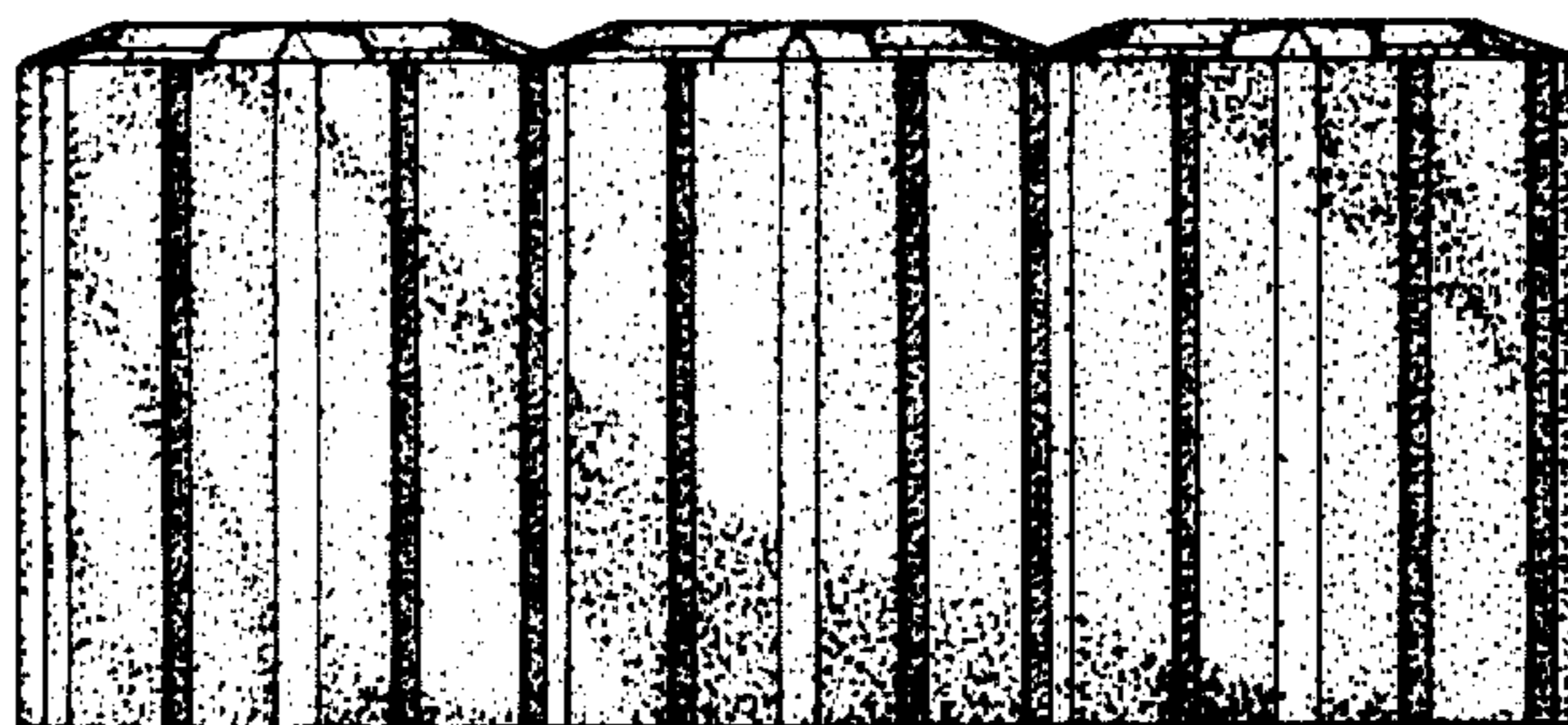


FIG 11

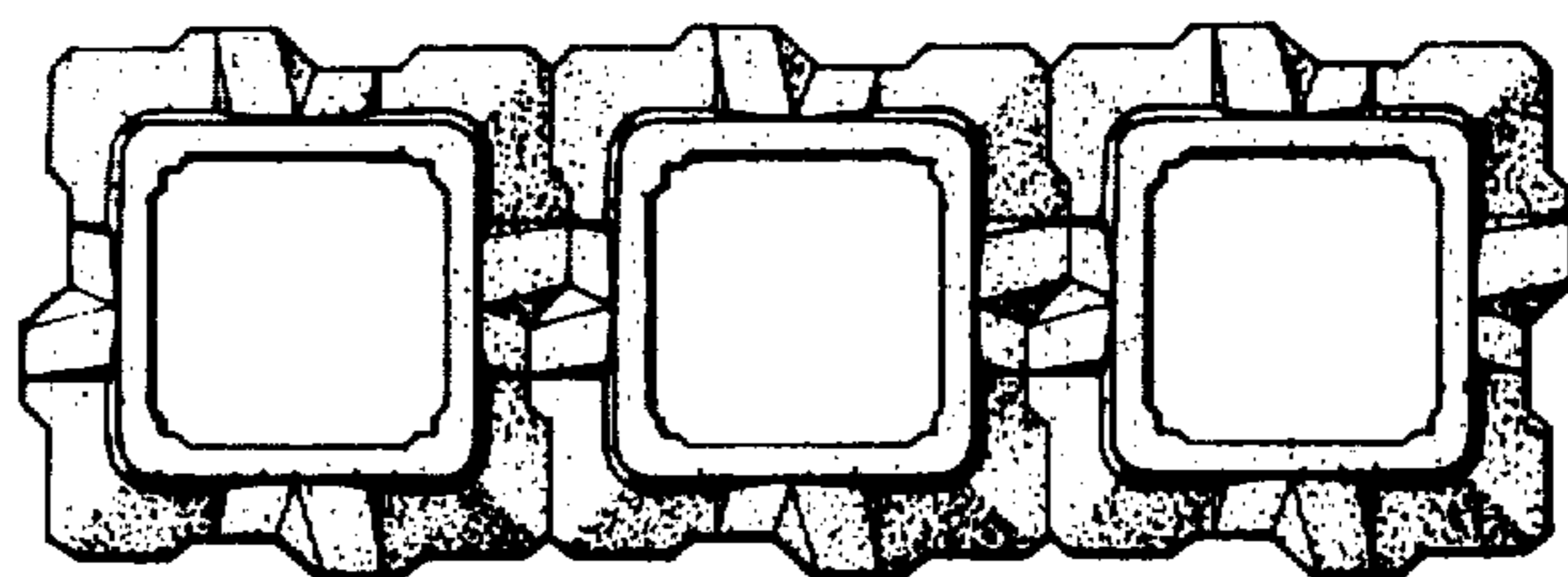


FIG 12

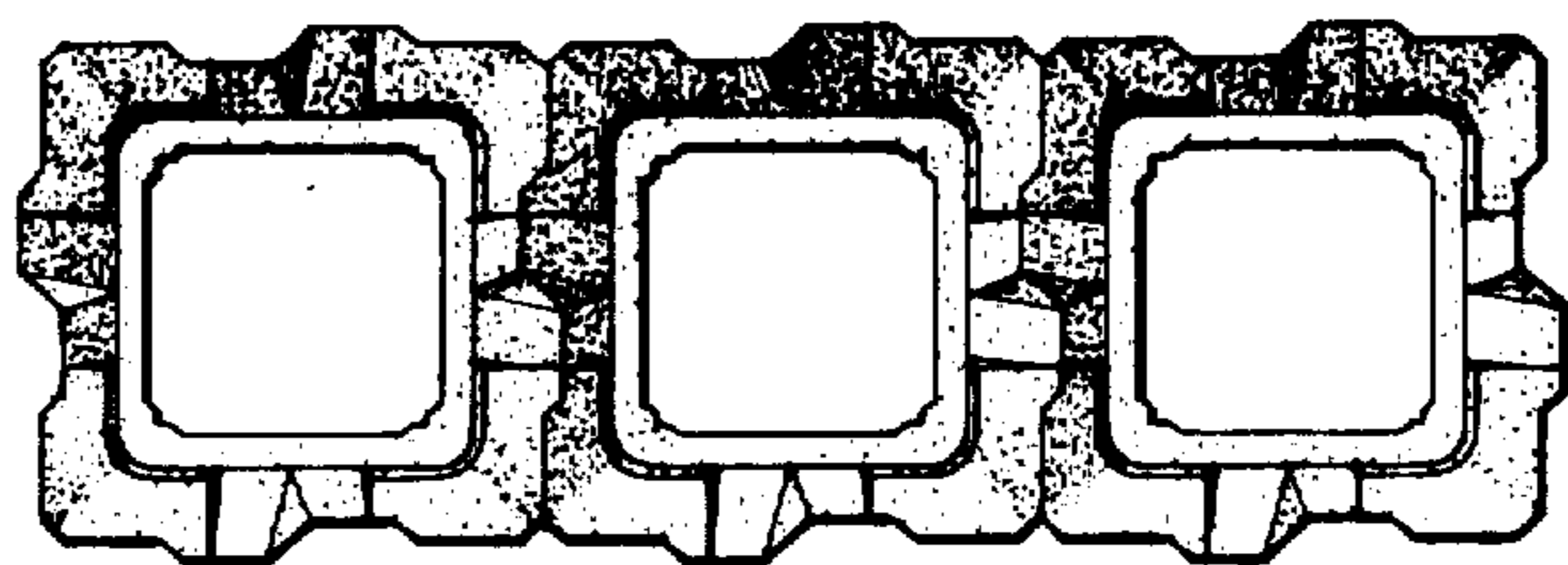


FIG 13

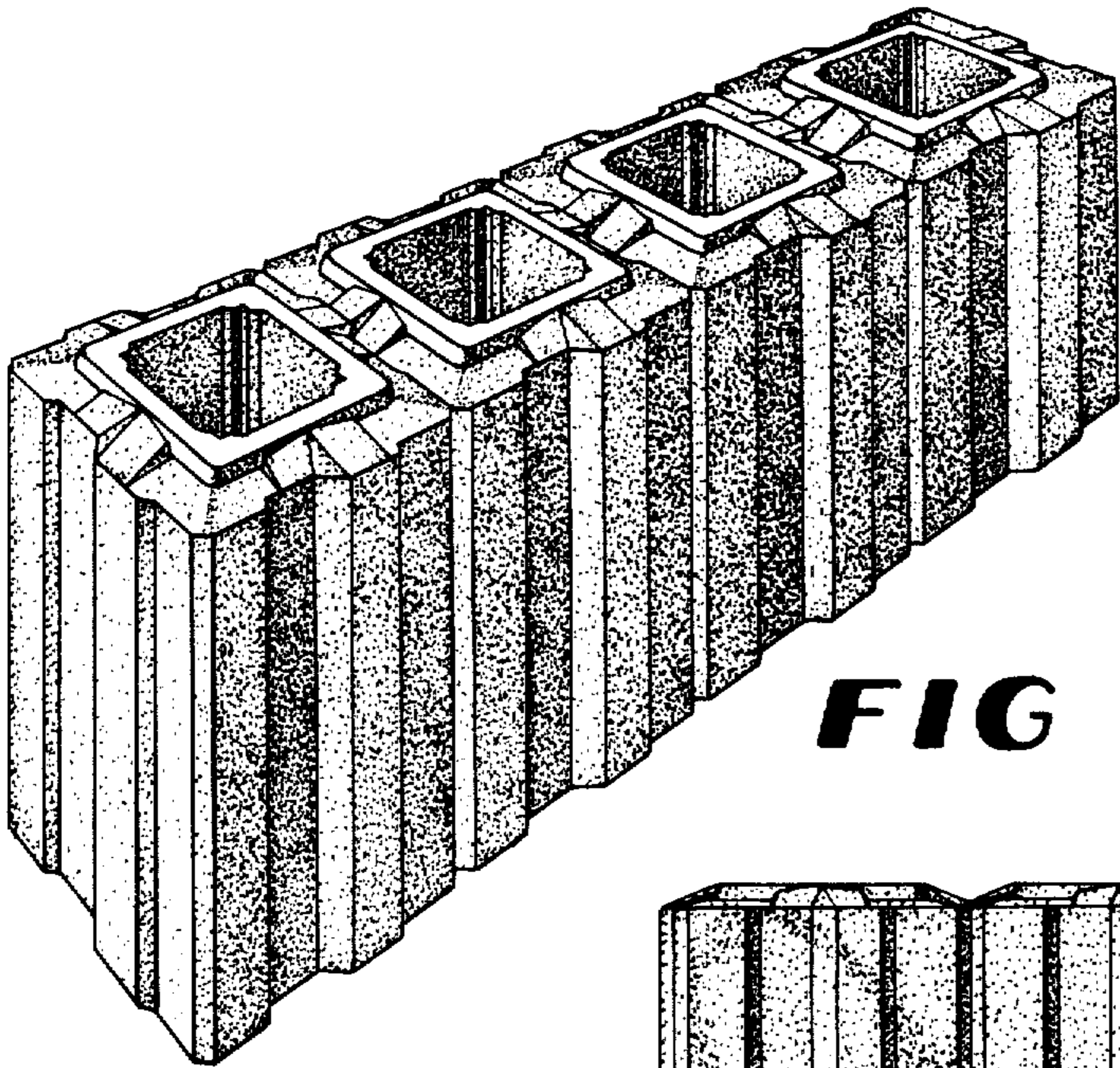


FIG 14

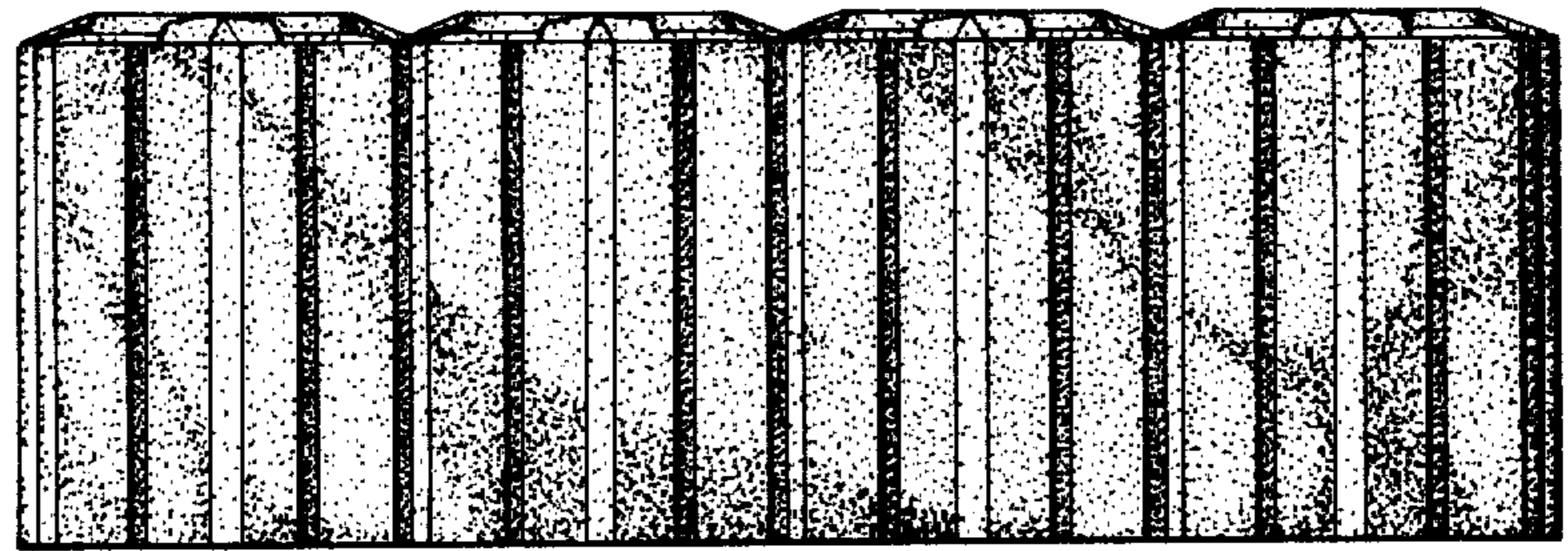


FIG 15

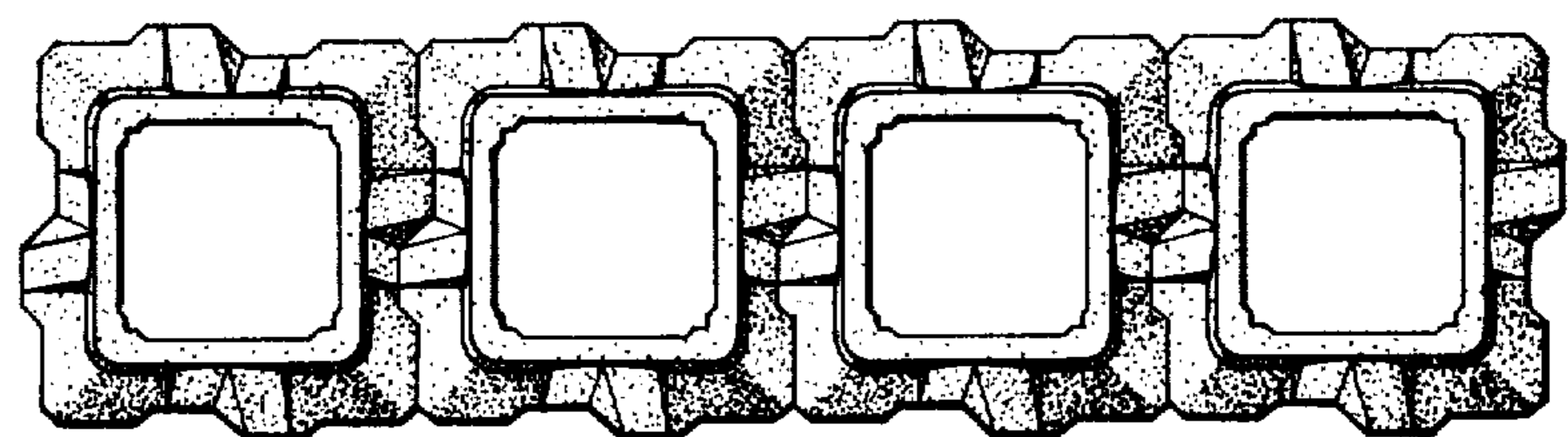


FIG 16

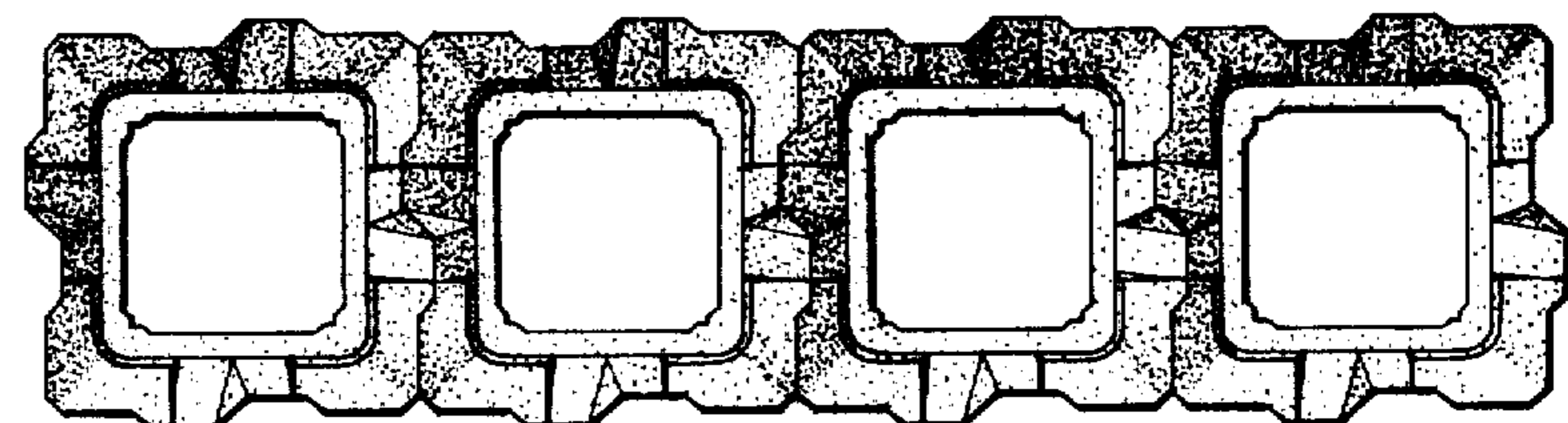


FIG 17

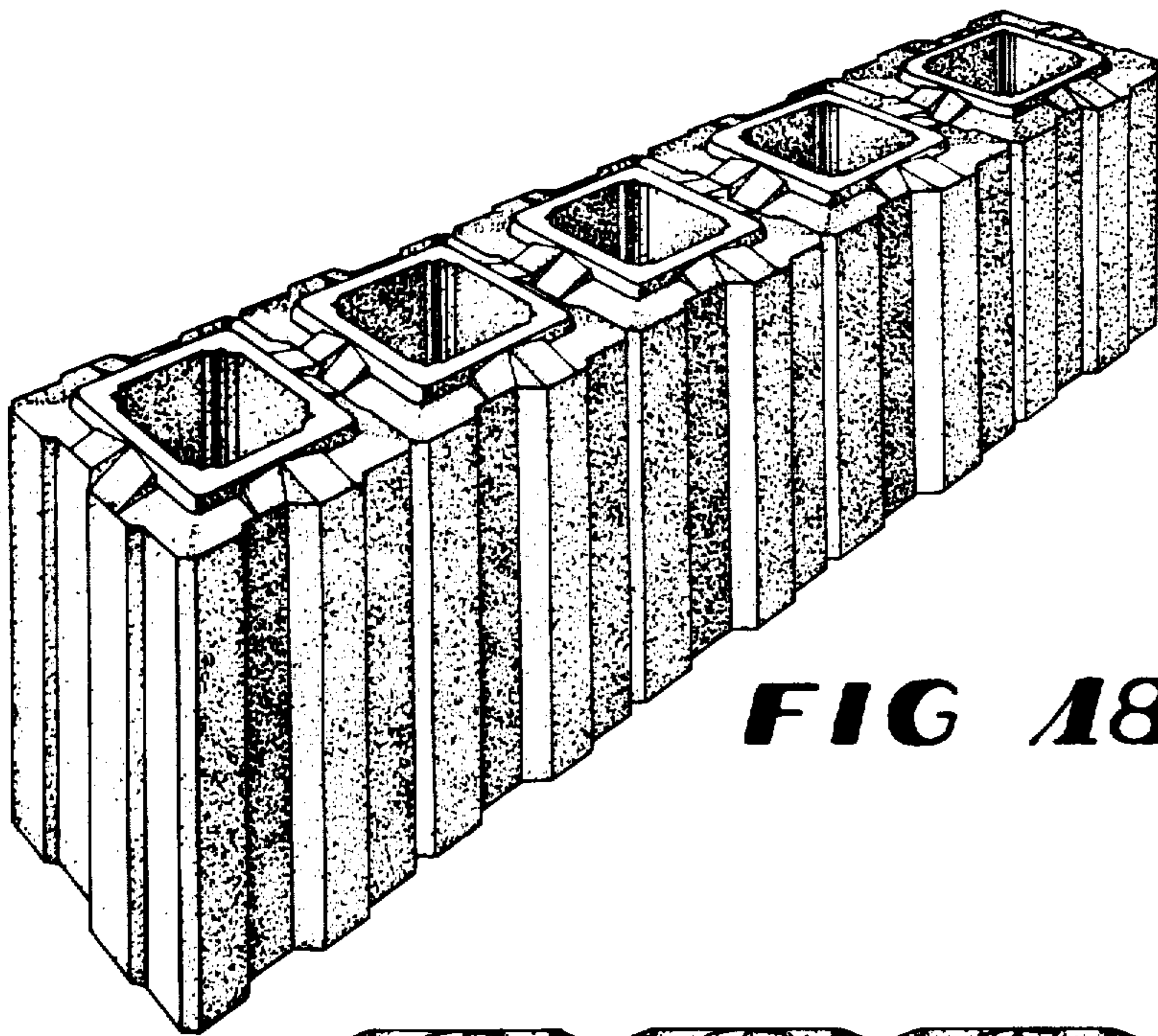


FIG 18

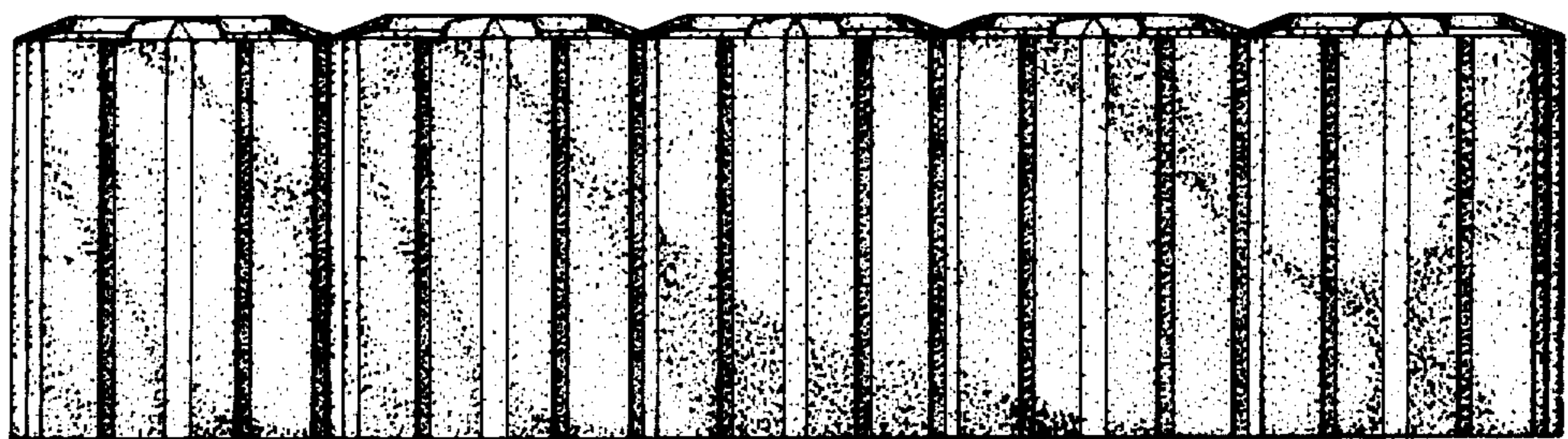


FIG 19

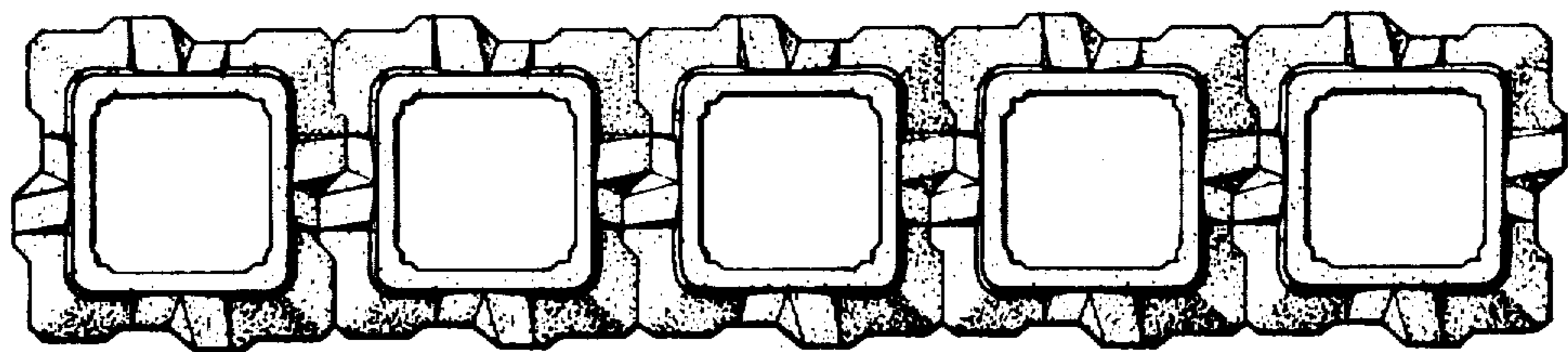


FIG 20

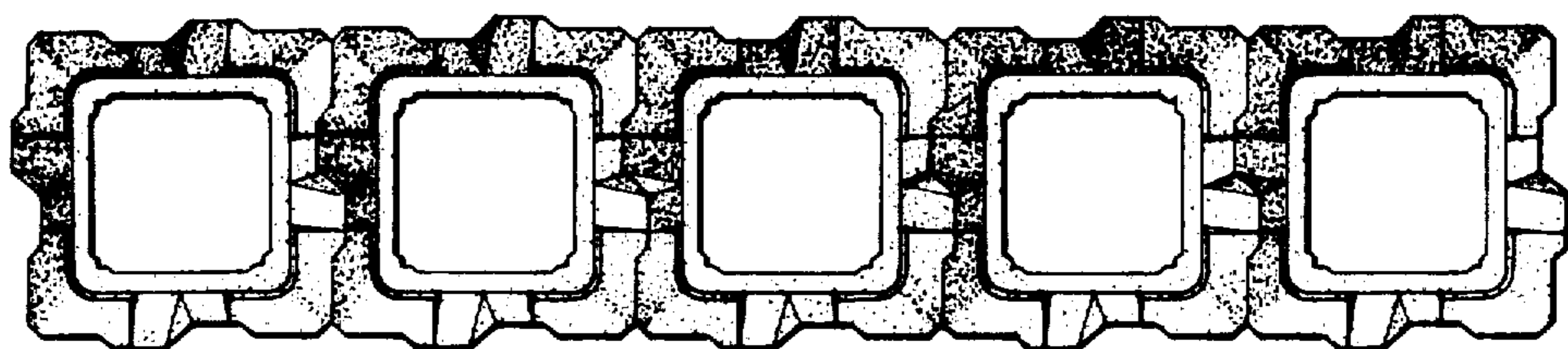


FIG 21