

[54] EXPANSION JOINT SEALING STRIP ASSEMBLY FOR ROADWAYS AND THE LIKE

[75] Inventor: William E. Bowman, Englewood, Colo.

[73] Assignee: Bowman Construction Supply, Inc., Denver, Colo.

[\*\*] Term: 14 Years

[21] Appl. No.: 95,143

[22] Filed: Nov. 16, 1979

[51] Int. Cl. .... D25-01

[52] U.S. Cl. .... D25/74

[58] Field of Search ..... D25/73, 74; 404/64, 404/65, 68, 69; 52/573

[56] References Cited

U.S. PATENT DOCUMENTS

- 3,128,576 4/1964 Bradley ..... 404/64 X
- 3,994,609 11/1976 Puccio ..... 404/69
- 4,179,226 12/1979 Puccio ..... 404/64

FOREIGN PATENT DOCUMENTS

586790 4/1977 Switzerland ..... 404/64

Primary Examiner—A. Hugo Word  
Attorney, Agent, or Firm—Mason, Fenwick & Lawrence

[57] CLAIM

The ornamental design for an expansion joint sealing strip assembly for roadways and the like, as shown and described.

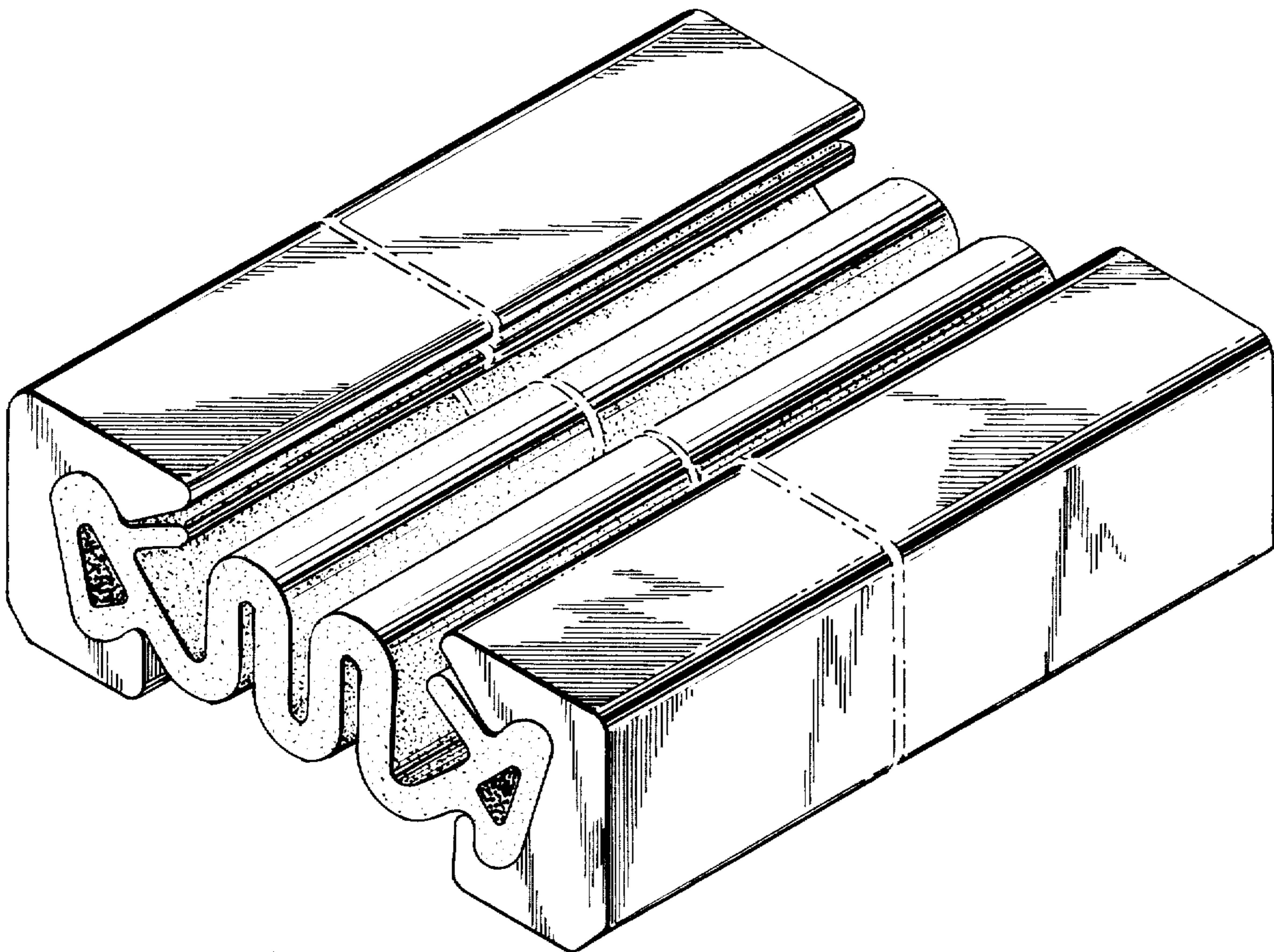
DESCRIPTION

FIG. 1 is a perspective view of an expansion joint sealing strip assembly for roadways and the like, showing my new design;

FIG. 2 is an end elevation view thereof, the sealing strip portion being an elastomeric member indicated by stippling having its ends interfitted in shaped recesses in channel members and having substantially triangular cross-section hollow center areas or voids which are filled with curable material which cures to a rigid state such as epoxy and the like indicated by heavier stippling;

FIG. 3 is a top plan view thereof; and

FIG. 4 is a bottom view thereof.



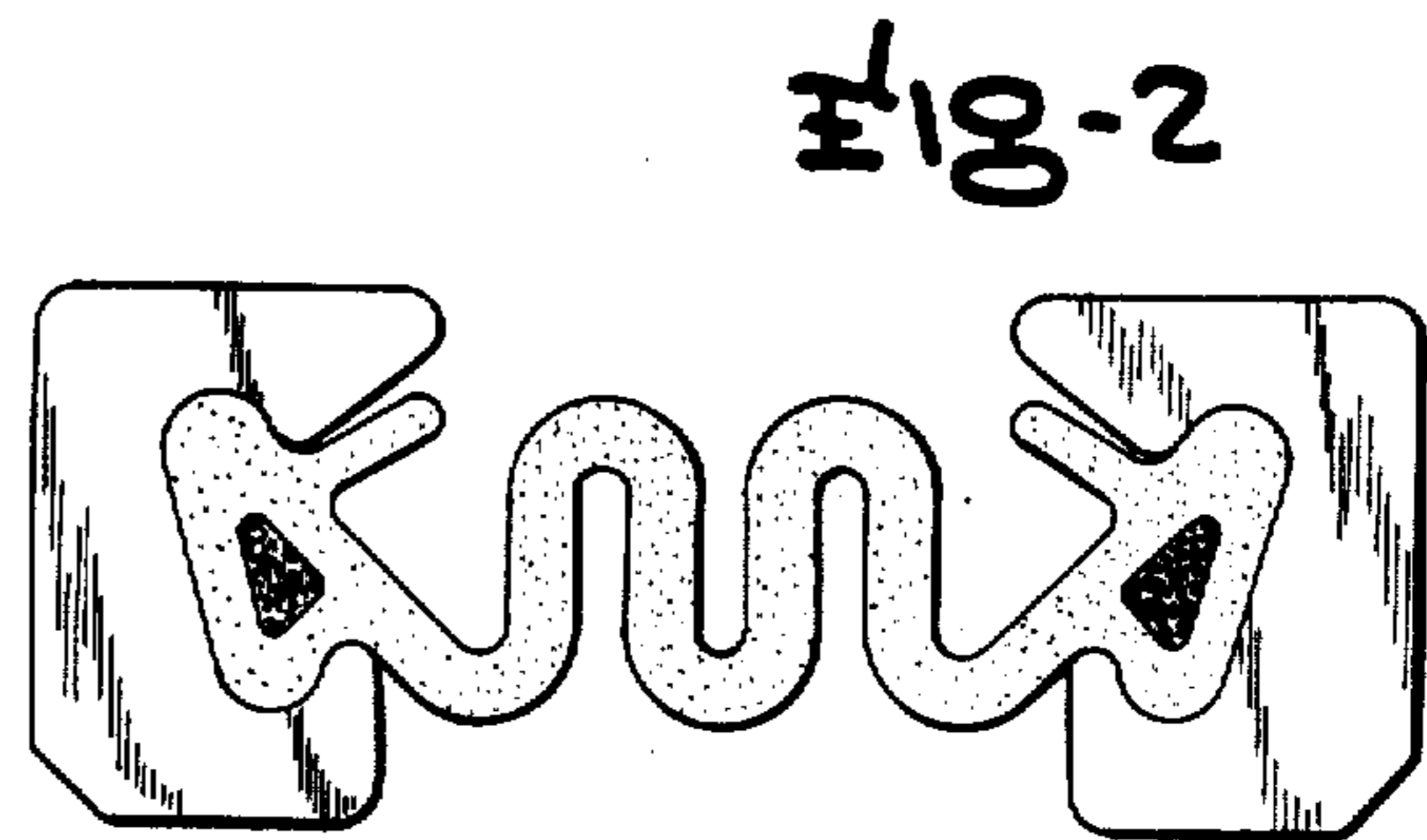
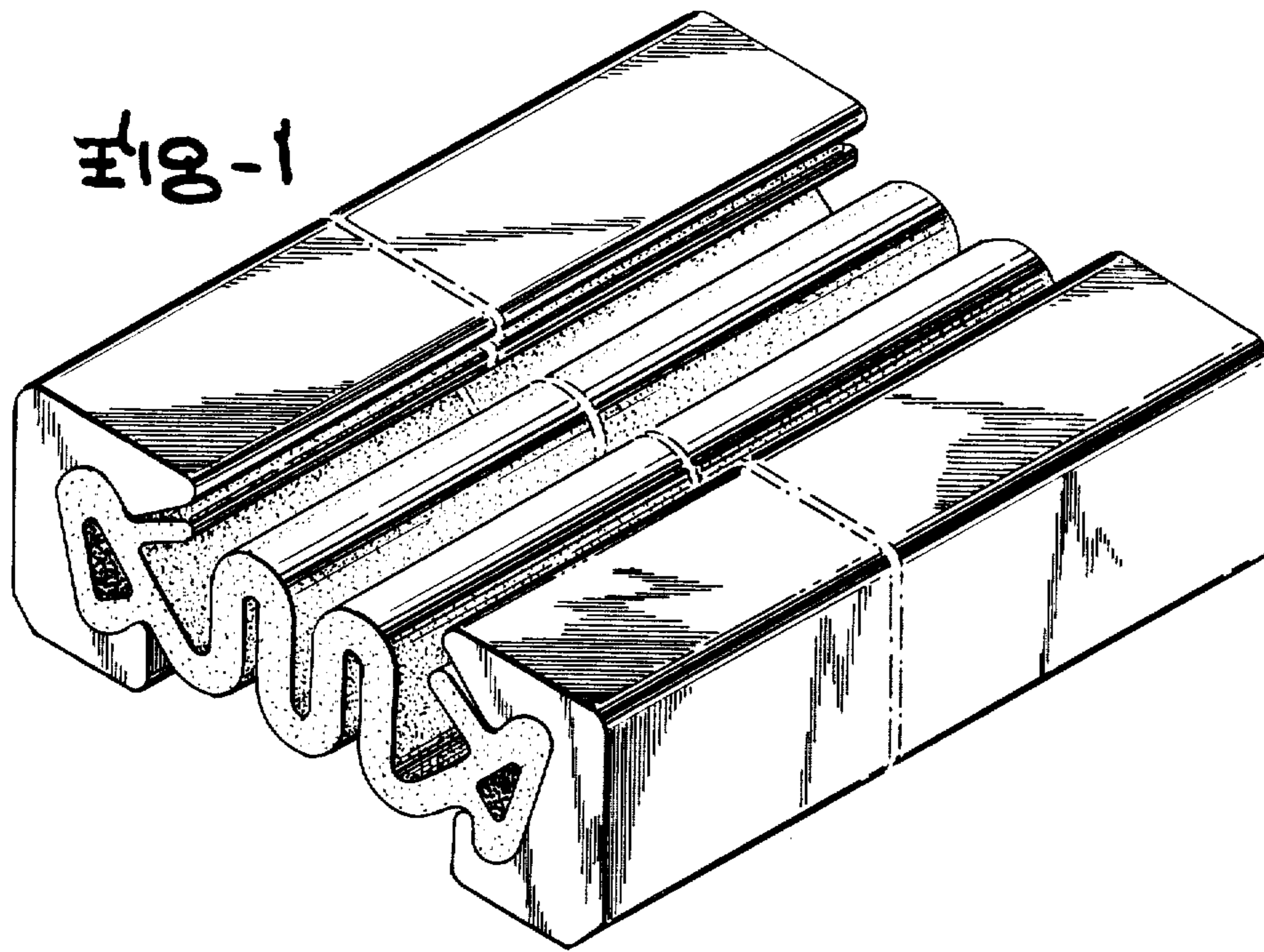


FIG-4

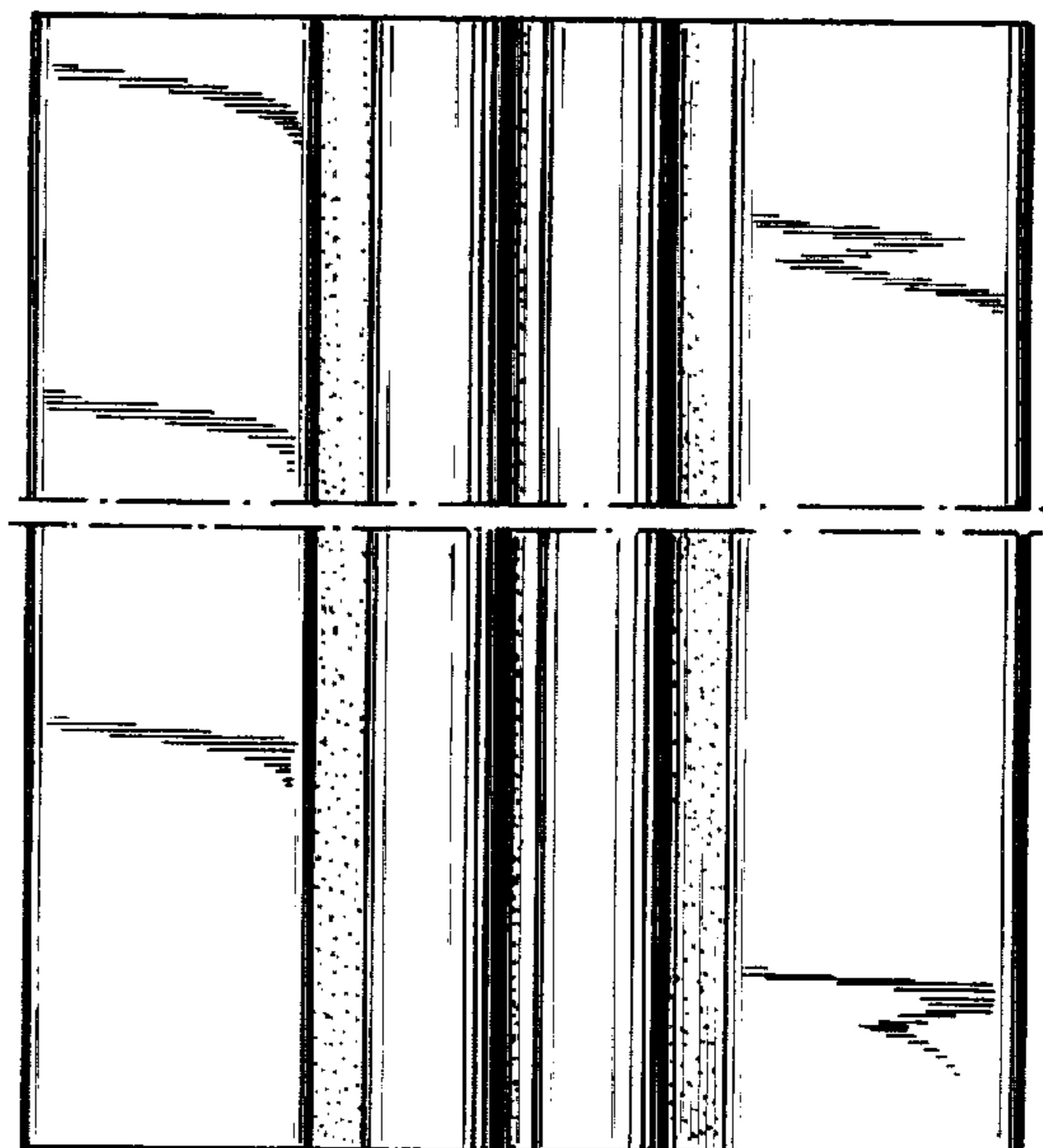


FIG-3