

[54] **MEDICAL INSTRUMENT HOUSING**

[75] Inventor: **John T. Armbruster**, Niagara Falls,  
N.Y.

[73] Assignee: **American Optical Corporation**,  
Southbridge, Mass.

[\*\*] Term: **14 Years**

[21] Appl. No.: **9,333**

[22] Filed: **Feb. 5, 1979**

[51] Int. Cl. .... **D24—02**

[52] U.S. Cl. .... **D24/17; D24/8;**  
**D10/46; D10/81**

[58] Field of Search ..... **356/36, 39, 40, 43;**  
**D24/21, 22, 1.1, 8, 17; D10/81, 46, 75**

[56] **References Cited**

**U.S. PATENT DOCUMENTS**

D. 245,965	10/1977	Havstad	.....	D10/81
D. 249,891	10/1978	Rowland	.....	D24/17
D. 252,948	9/1979	Ferreira	.....	D10/46
D. 254,806	4/1980	Kitai et al.	.....	D24/17
4,156,570	5/1979	Wardlaw	.....	356/39

*Primary Examiner*—Bernard Ansher  
*Attorney, Agent, or Firm*—Alan H. Spencer

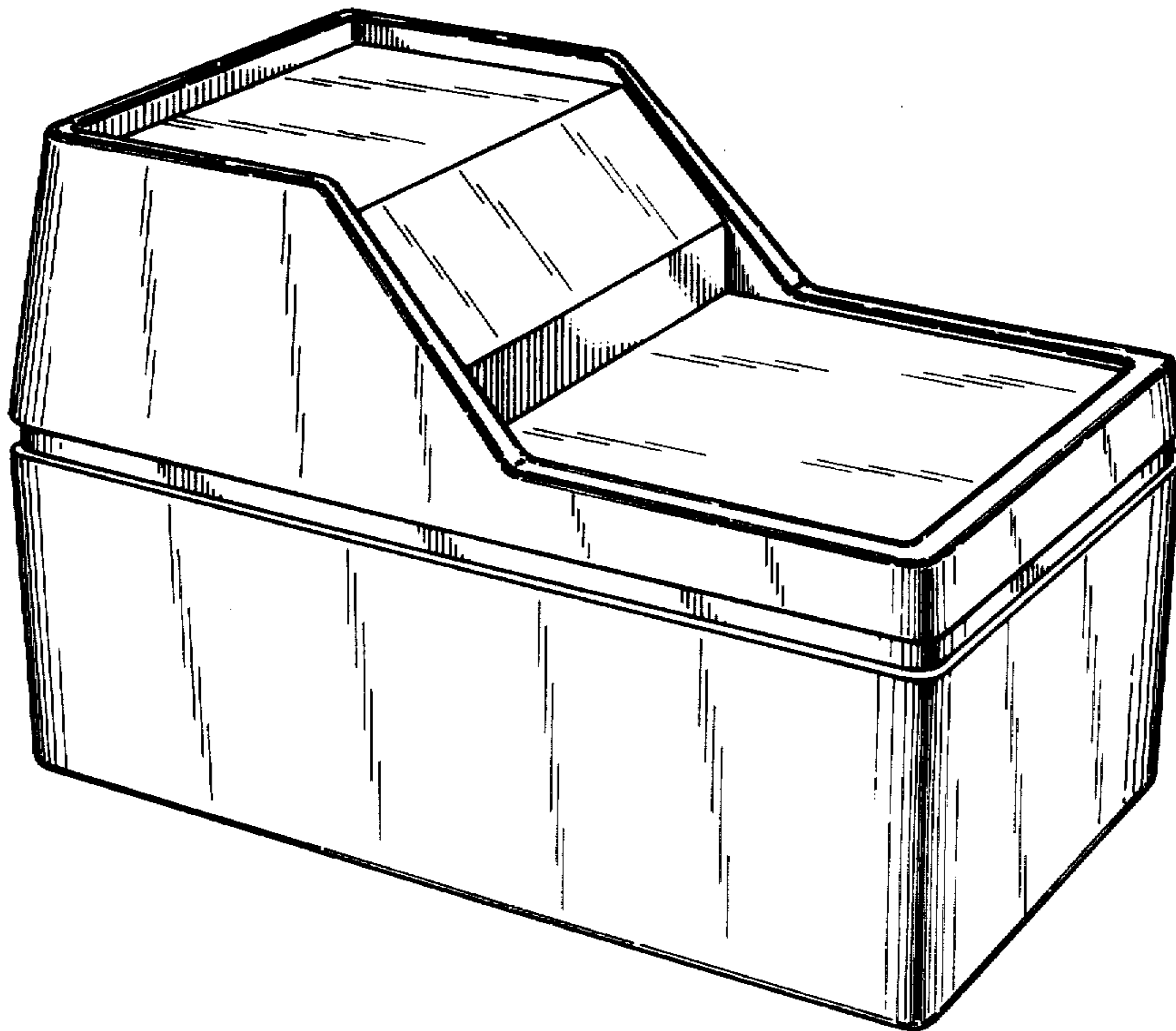
[57] **CLAIM**

The ornamental design for a medical instrument housing, as shown and described.

**DESCRIPTION**

FIG. 1 is an illustration in perspective of the medical instrument housing showing the top one side and one end thereof; and

FIG. 2 is an illustration in perspective of the medical instrument housing showing the opposite top side and end thereof.



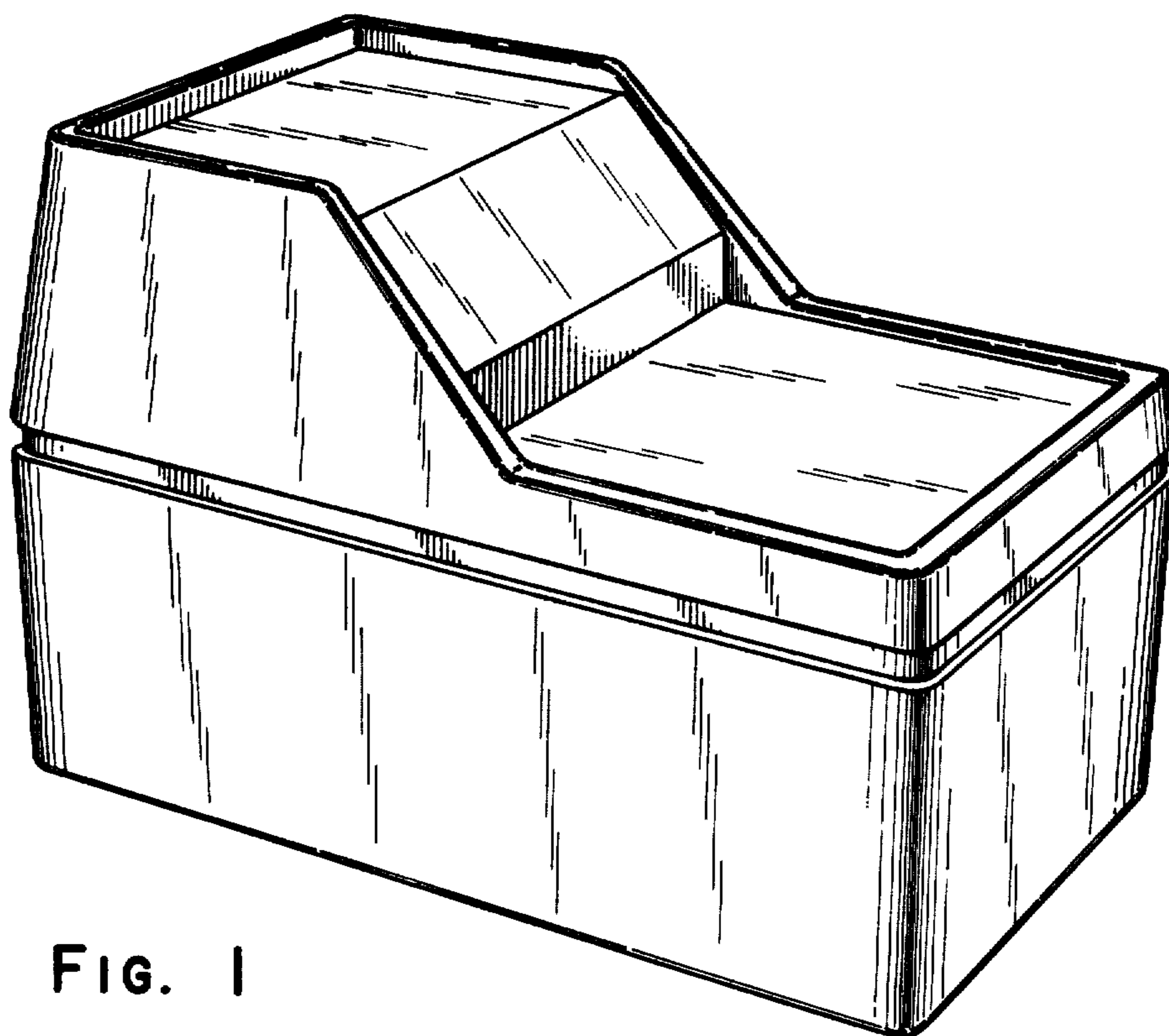


FIG. 1

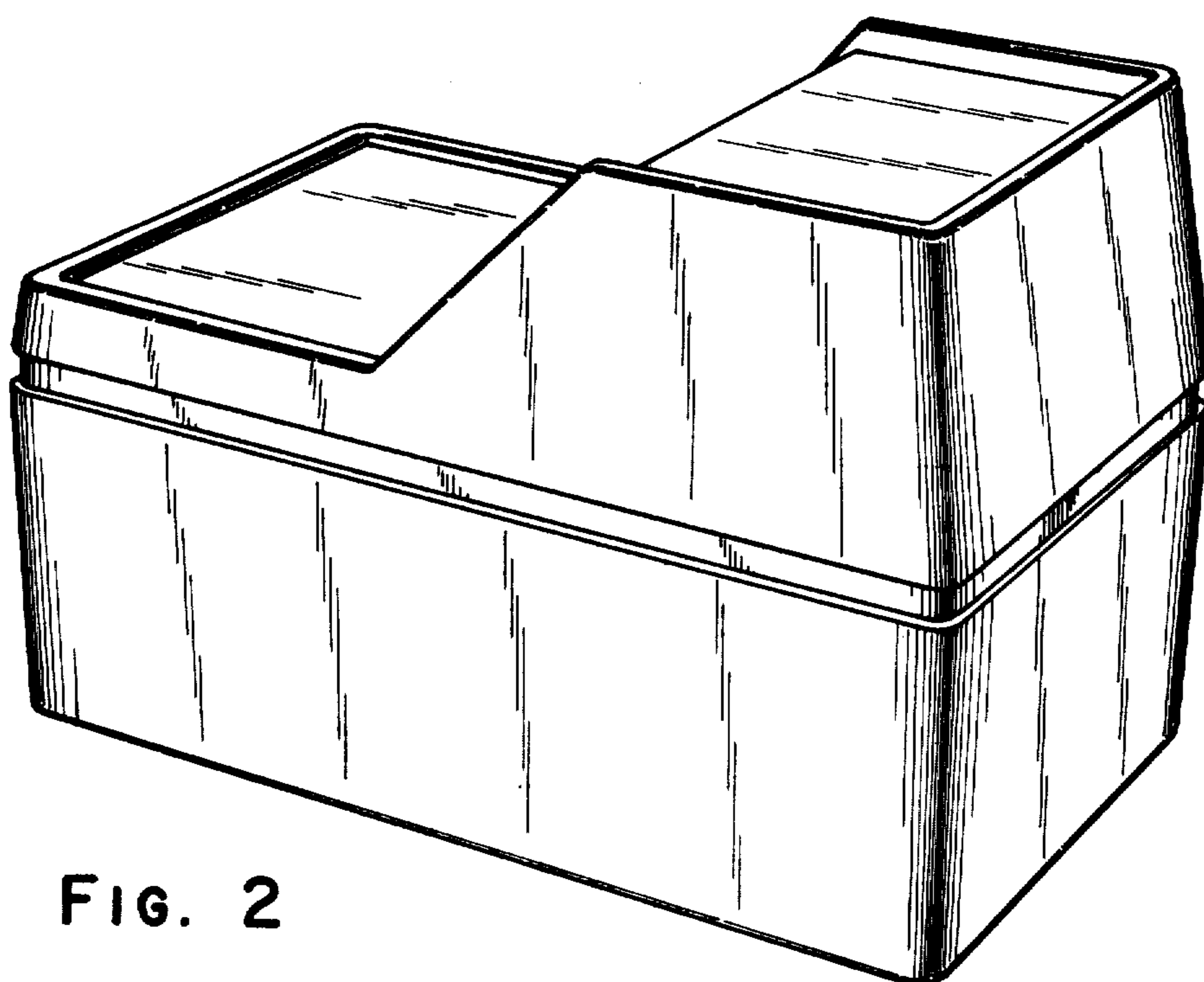


FIG. 2