

[54] CHILD'S WASH BASIN

[76] Inventor: Tivadar Bitvai, Vallhamngatan 110, S-421 66 Vastra Frolunda, Sweden

[**] Term: 14 Years

[21] Appl. No.: 27,746

[22] Filed: Apr. 4, 1979

[30] Foreign Application Priority Data

Oct. 4, 1978 [SE] Sweden 782284

[51] Int. Cl. D23-02

[52] U.S. Cl. D23/58; D23/52; 4/572; 4/659

[58] Field of Search D23/48, 52, 58-64; 4/551, 571, 572, 586, 587, 588, 659

[56] References Cited

U.S. PATENT DOCUMENTS

D. 113,232 2/1939 Loud D23/58

D. 207,631	5/1967	Baker	D23/52
D. 218,606	9/1970	Lien	D23/58
1,073,435	9/1913	Owsley	4/572
2,614,264	10/1952	Schmidt, Sr.	4/572
2,825,911	3/1958	Townsley	4/572
3,392,408	7/1968	Stiphany	4/572
4,216,552	8/1980	Gurolniek	D23/52 X

Primary Examiner—James R. Largen

[57] CLAIM

The ornamental design for a child's wash basin, as shown and described.

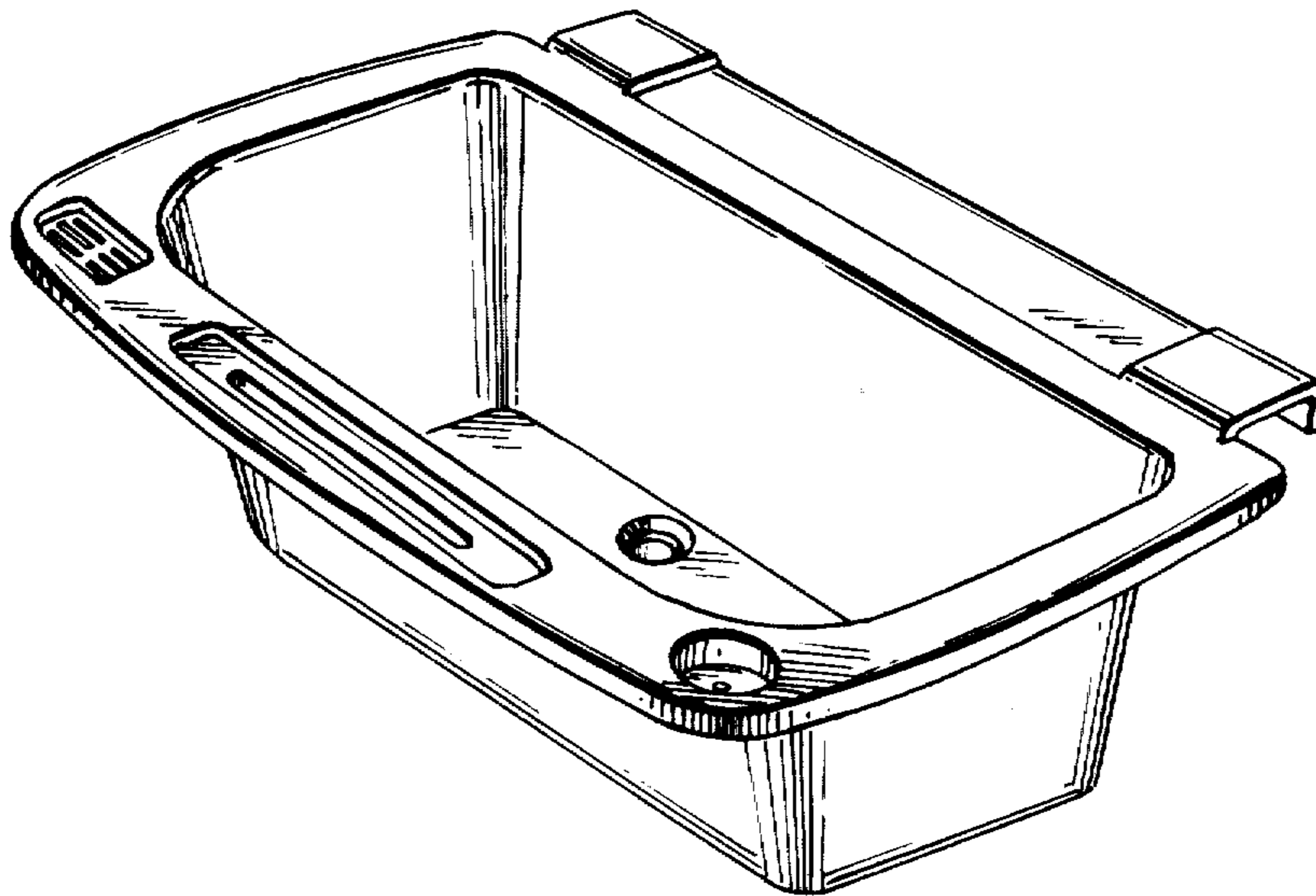
DESCRIPTION

FIG. 1 is a perspective view taken from the top, rear and left side of a child's wash basin showing my new design;

FIG. 2 is a perspective view taken from the bottom, front and left side thereof;

FIG. 3 is a left side elevational view thereof, the right side being a mirror image of the left side shown; and

FIG. 4 is a top plan view thereof.



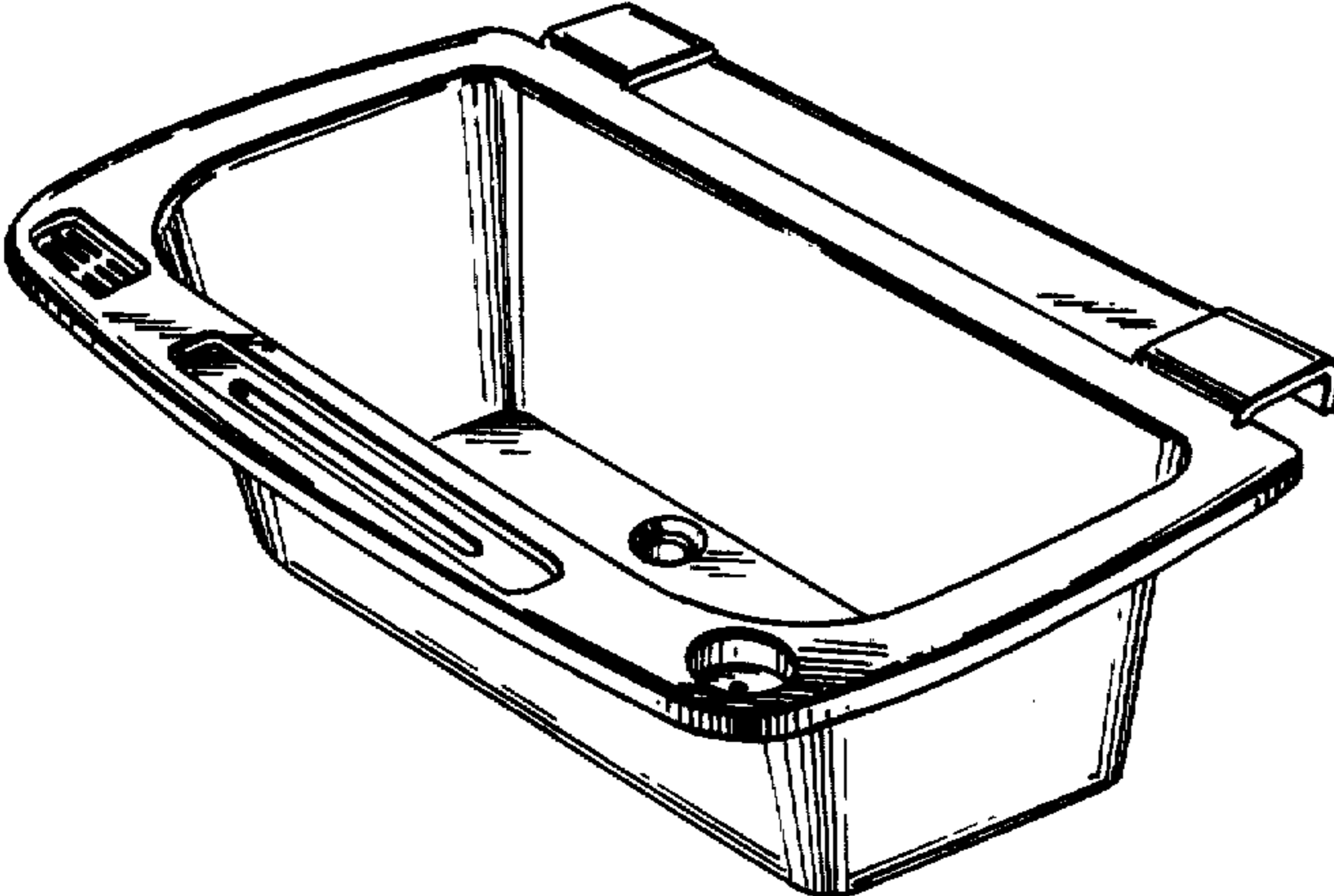


FIG. 1

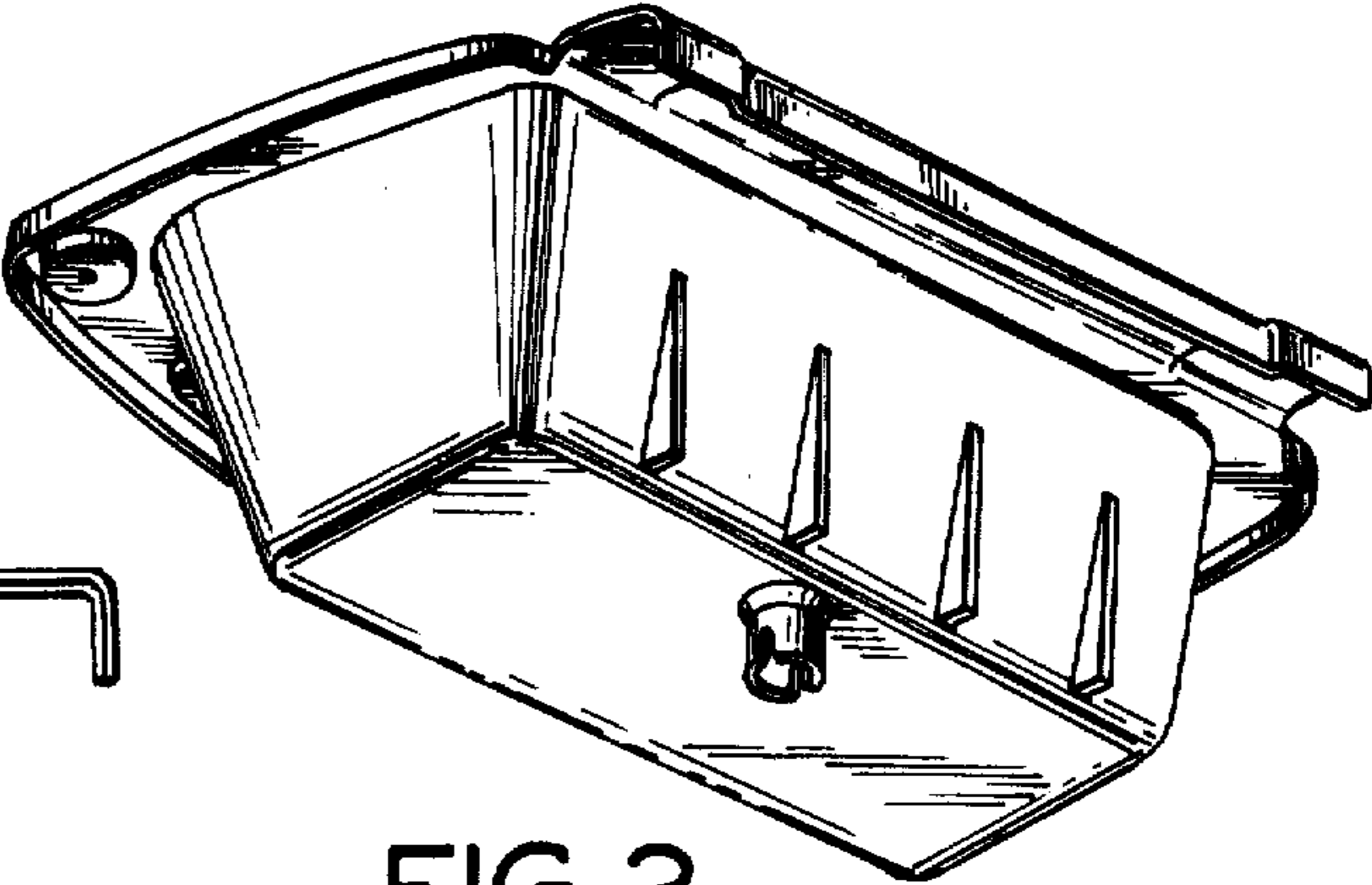


FIG. 2

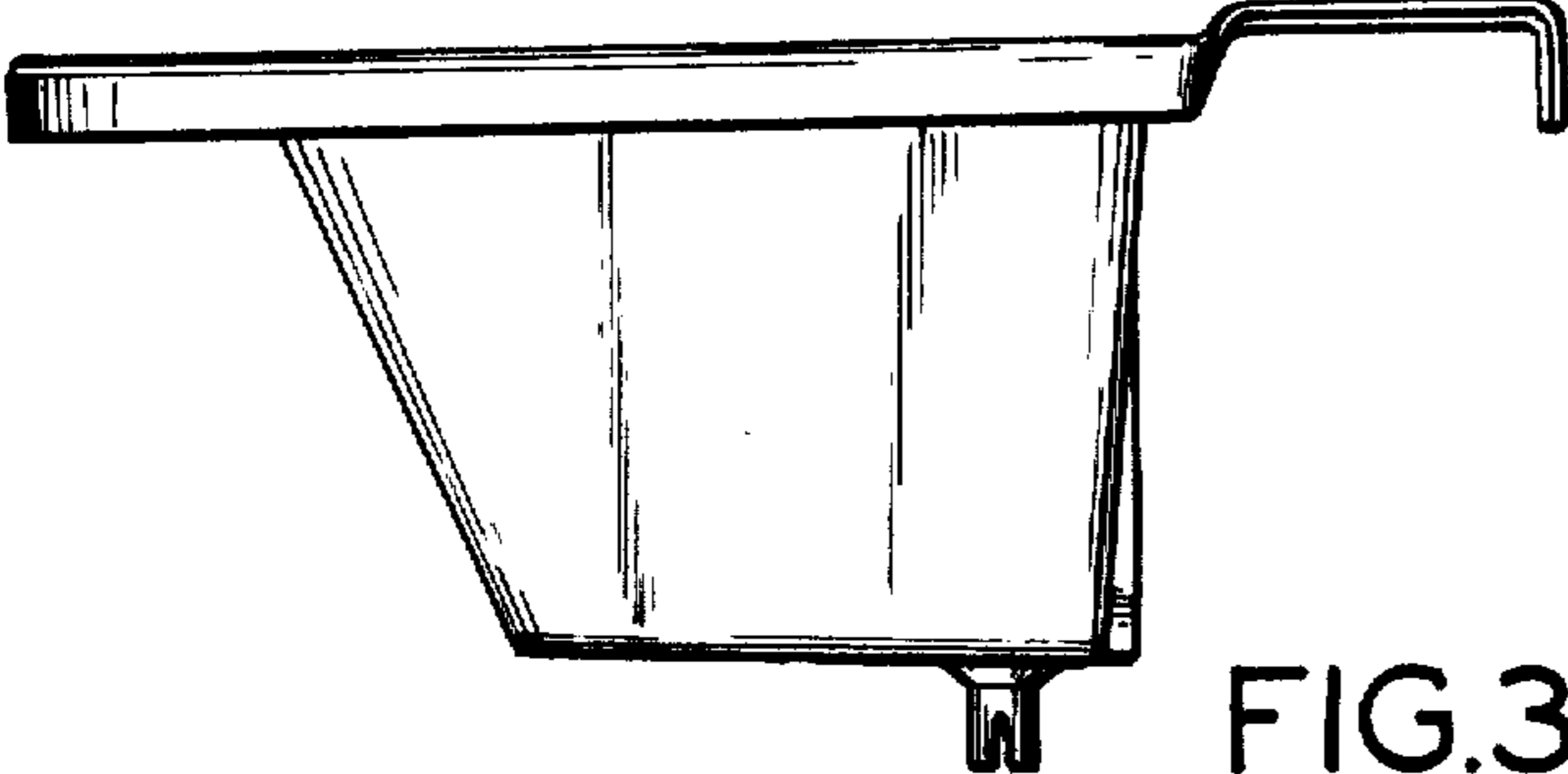


FIG. 3

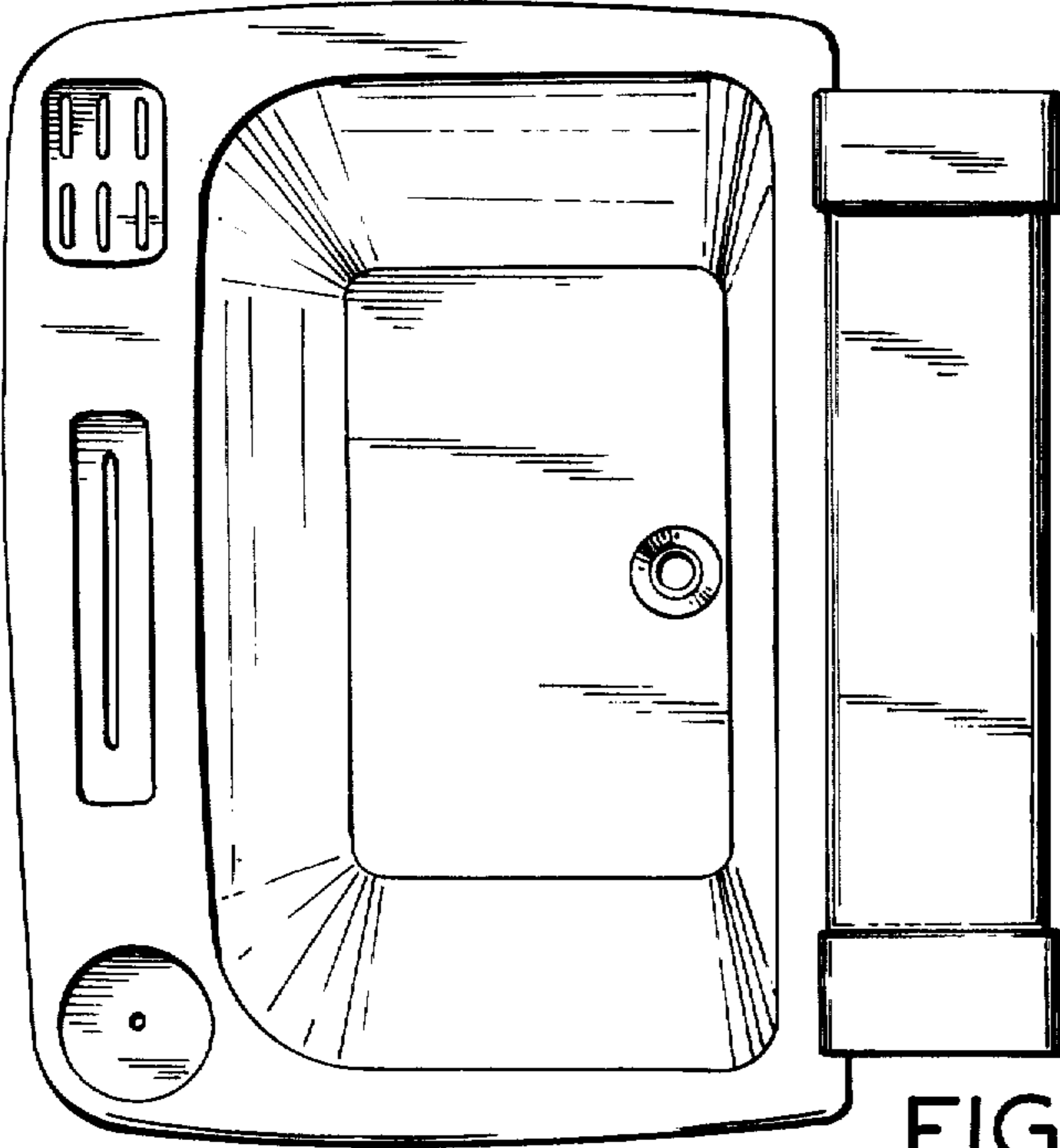


FIG. 4