

[54] SWIMMING GLOVE

1,625,730 4/1927 Lake 9/308
3,174,167 3/1965 Pauley 9/308

[76] Inventor: Walter Pesarek, 595 Summer St.,
West Lynn, Mass. 01901

Primary Examiner—Sam Rosen
Attorney, Agent, or Firm—Herbert L. Bello

[**] Term: 14 Years

[57] CLAIM

[21] Appl. No.: 899,024

The ornamental design for a swimming glove, as shown
and described.

[22] Filed: Apr. 24, 1978

DESCRIPTION

[51] Int. Cl. D21—02

FIG. 1 is a front elevation view of a swimming glove
showing my new design;

[52] U.S. Cl. D21/239; D21/238

FIG. 2 is a rear elevation view thereof;

[58] Field of Search 9/308; D21/236-239

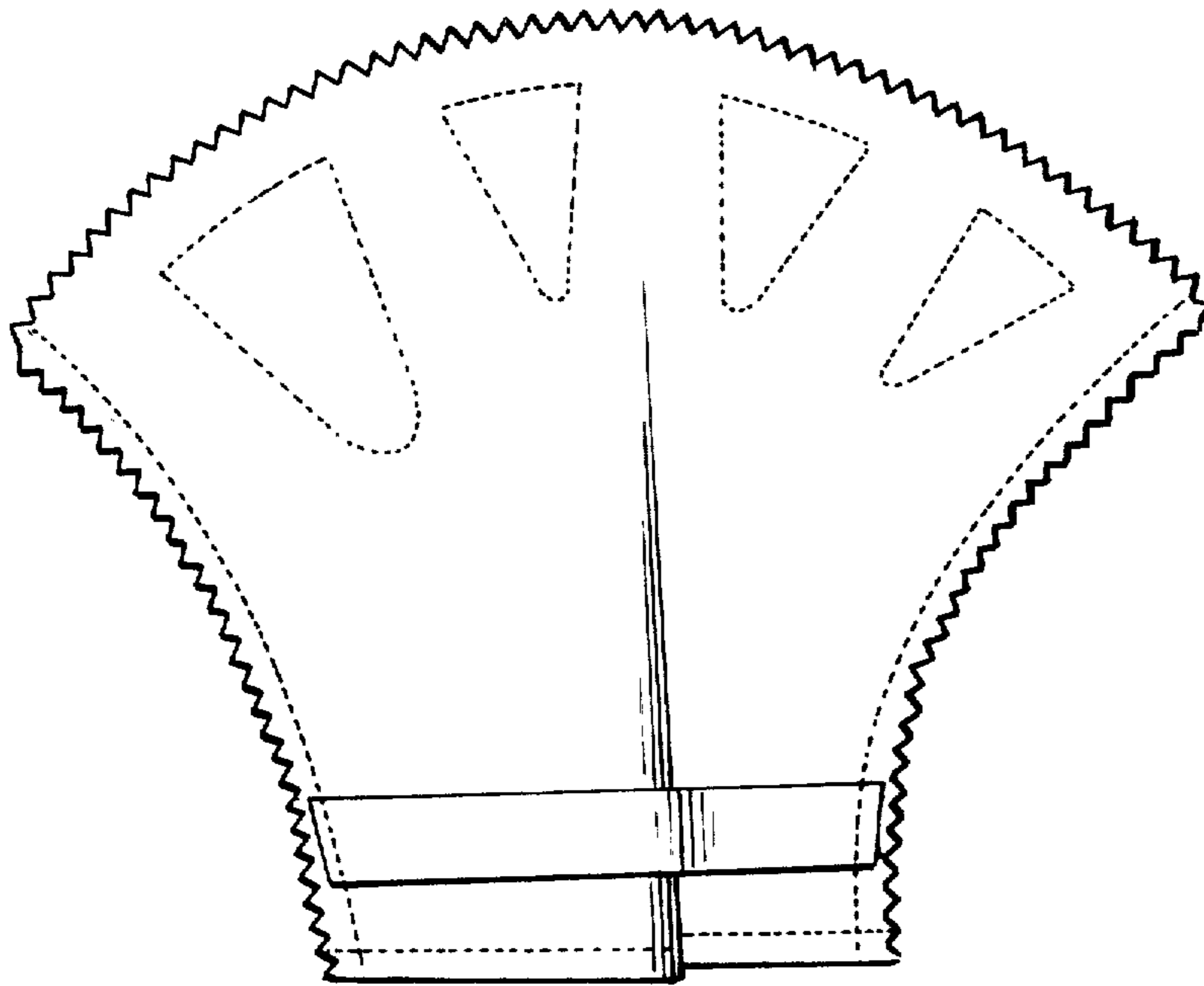
FIG. 3 is an end view looking towards the bottom of
FIG. 1; and

[56] References Cited

FIG. 4 is a side view looking towards the right side of
FIG. 1.

U.S. PATENT DOCUMENTS

D. 105,903 8/1937 Straus D2/360



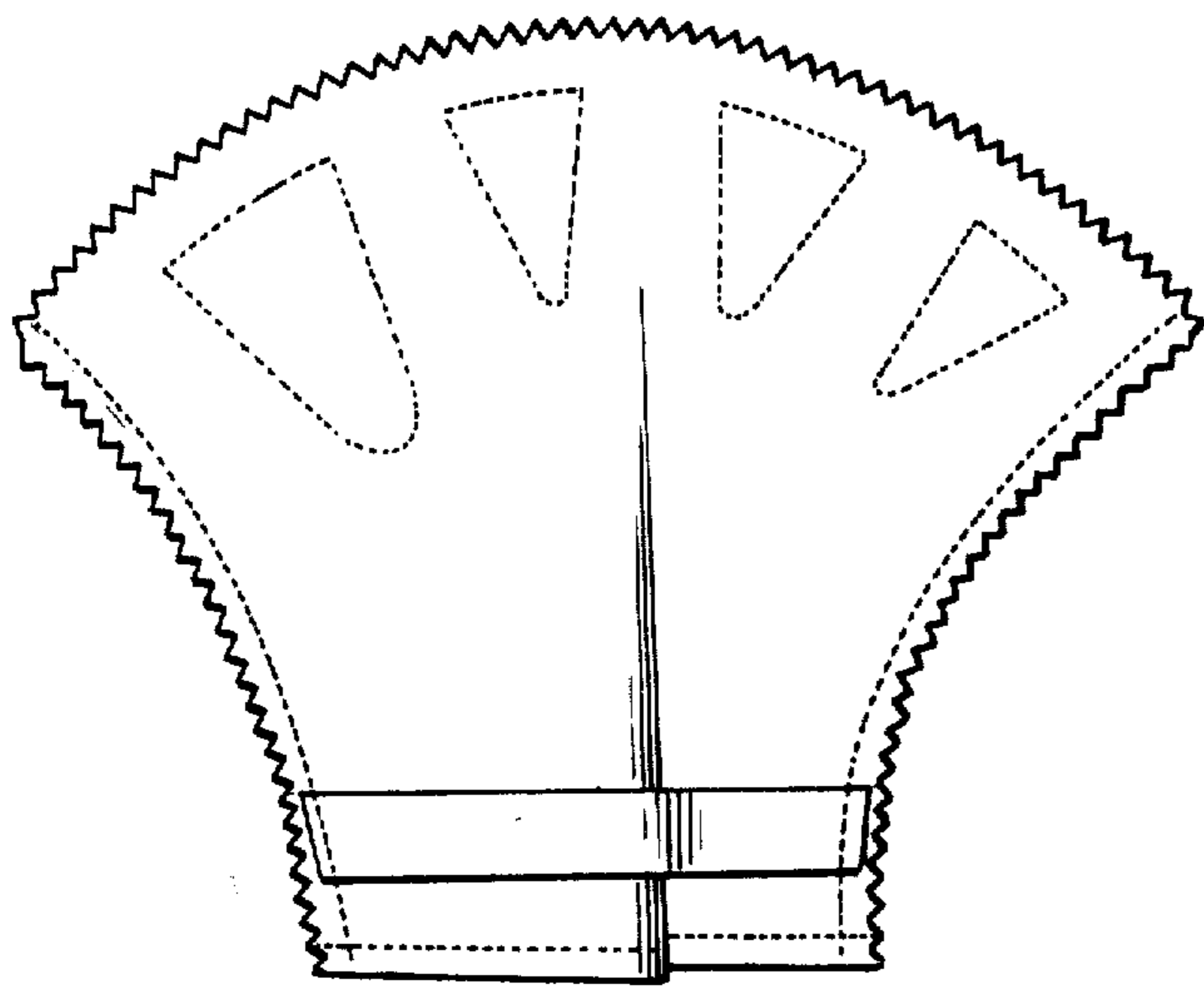


FIG. 1

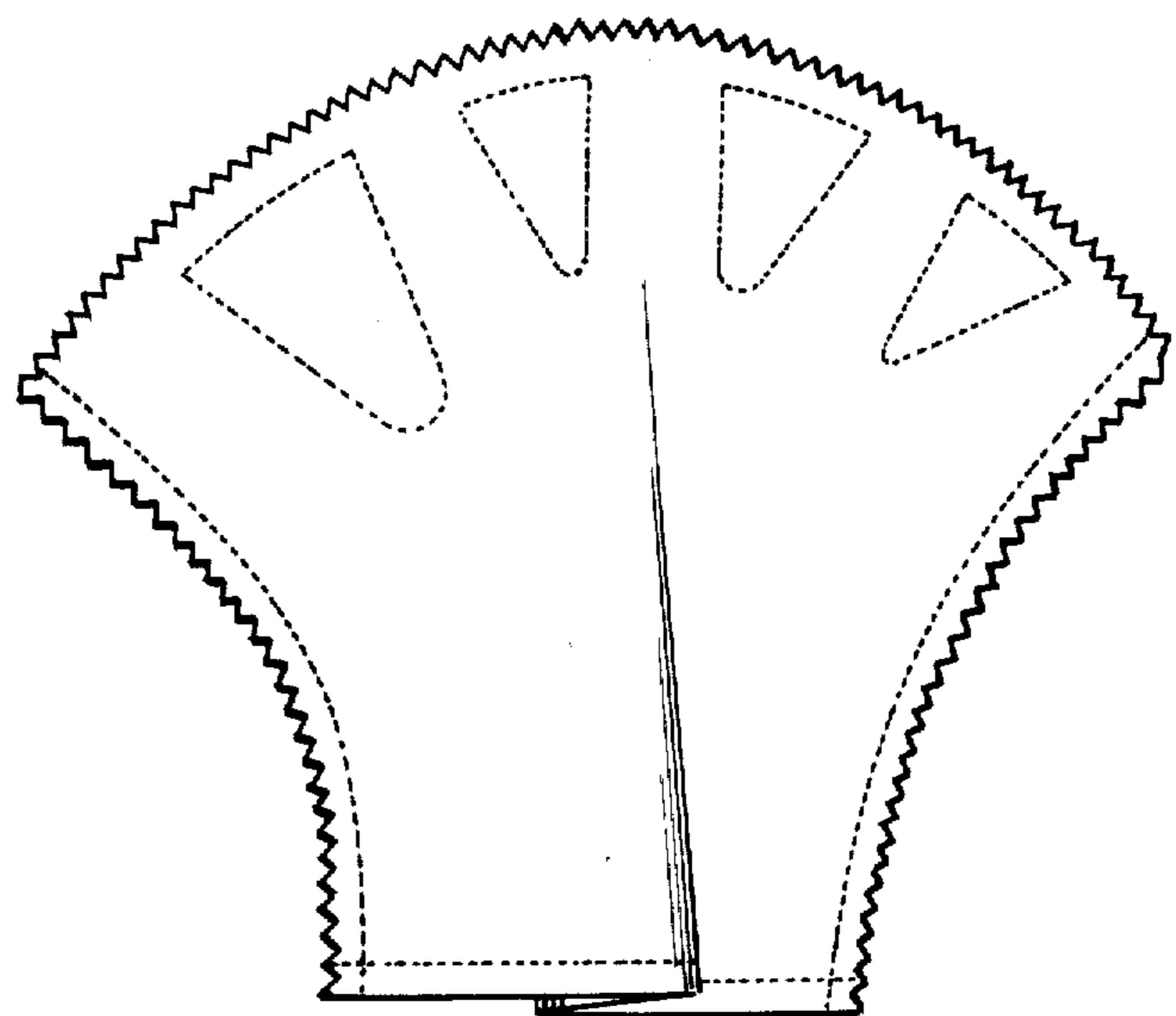


FIG. 2



FIG. 4



FIG. 3