

[54] PHYSICAL EXERCISER

[76] Inventor: Lloyd J. Lambert, Sr., 1538 College Ave., South Houston, Tex. 77587

[**] Term: 14 Years

[21] Appl. No.: 25,548

[22] Filed: Mar. 30, 1979

D. 239,303 3/1976 Clarke D21/195
4,093,214 6/1978 Coker et al. 272/143

OTHER PUBLICATIONS

Sporting Goods Dealer, 7-1977, p. 213, "Wall Mounted Lat/Curl Machine," at top of page.
Sporting Goods Dealer, 8-1978, p. 151, "Actionmaster", at top of page.

Primary Examiner—Charles A. Rademaker
Attorney, Agent, or Firm—Victor J. Evans & Co.

Related U.S. Application Data

[63] Continuation-in-part of Ser. No. 815,363, Jul. 13, 1977, abandoned.

[51] Int. Cl. D21-02

[52] U.S. Cl. D21/196

[58] Field of Search D21/191, 193, 195, 196,
D21/197, 198, 199; 272/112, 67, 68, 116, 118,
125, 126, 134, 141, 144

[57] CLAIM

The ornamental design for a physical exerciser, substantially as shown and described.

DESCRIPTION

FIG. 1 is a front elevational view of a physical exerciser showing my new design;
FIG. 2 is a rear elevational view thereof;
FIG. 3 is a right side elevational view thereof;
FIG. 4 is a left side elevational view thereof;
FIG. 5 is a top plan view thereof; and
FIG. 6 is a bottom plan view thereof.

References Cited

U.S. PATENT DOCUMENTS

D. 225,071 11/1972 Proctor D21/195

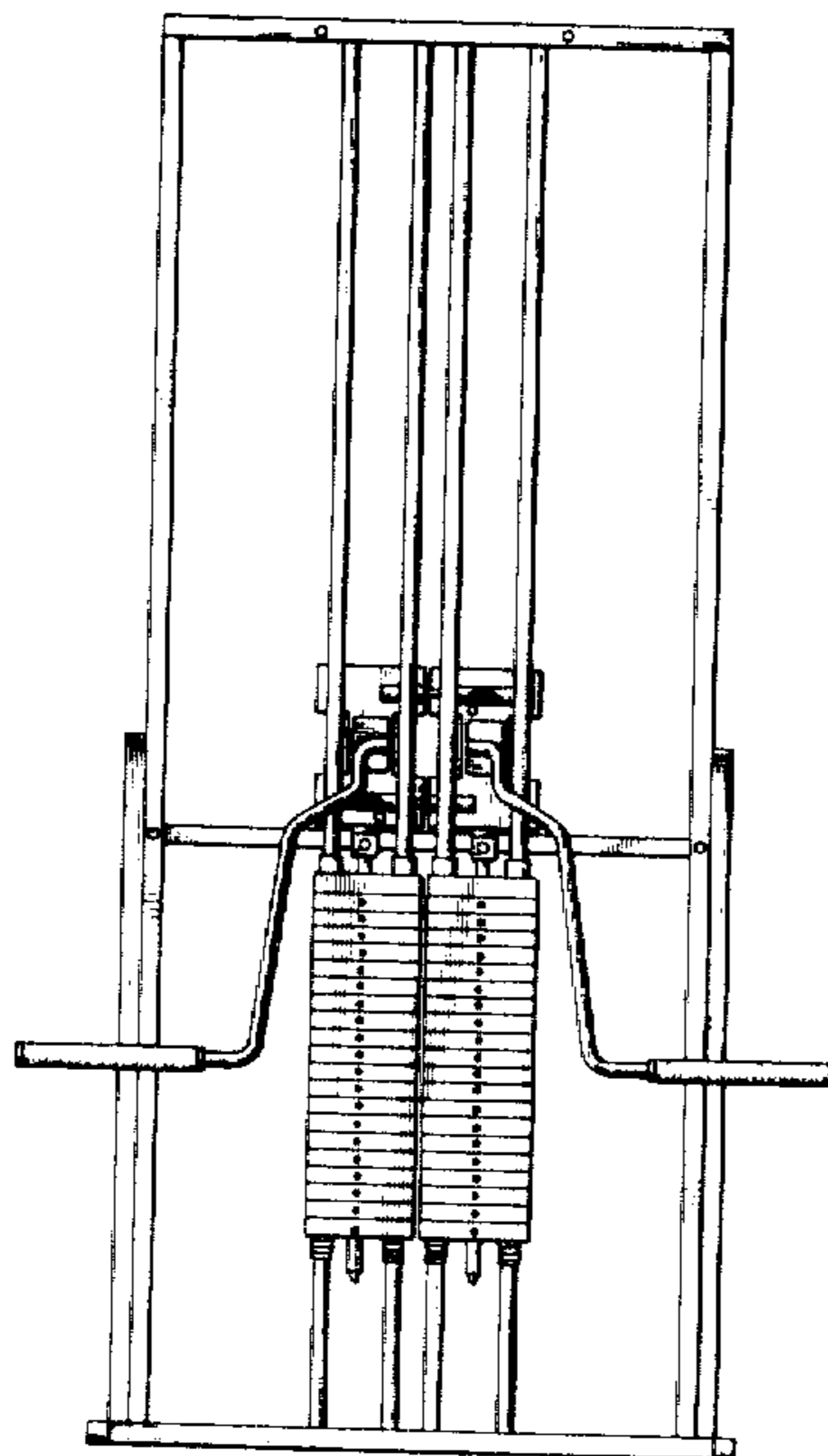


FIG.3

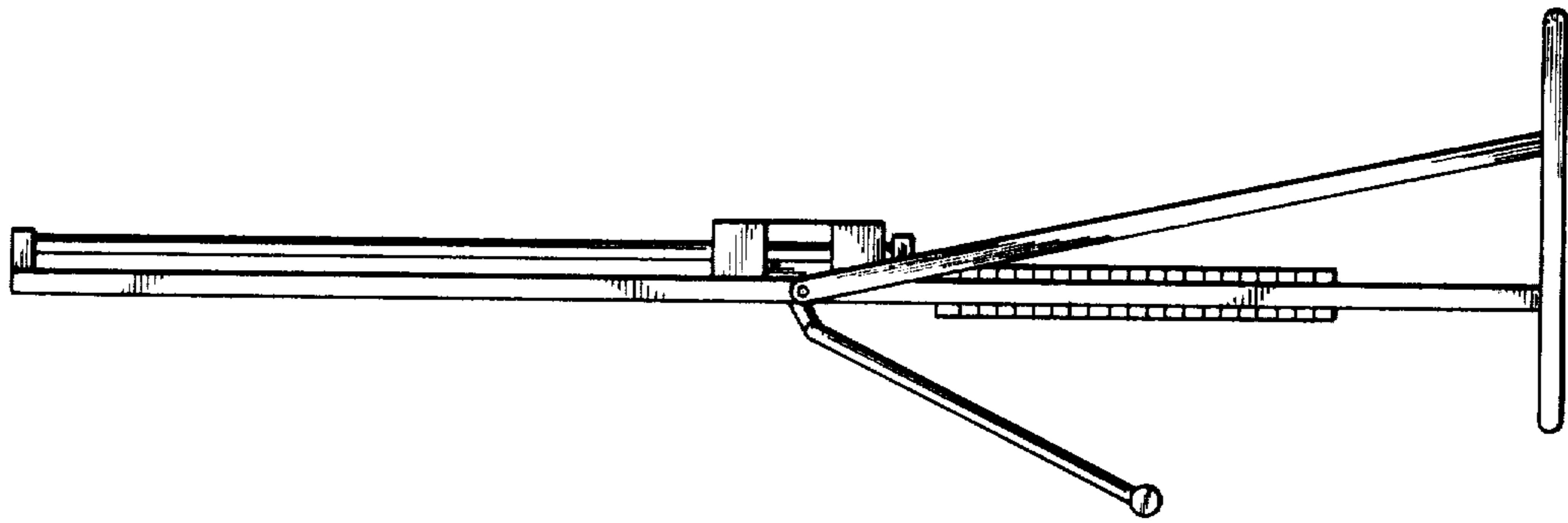


FIG.2

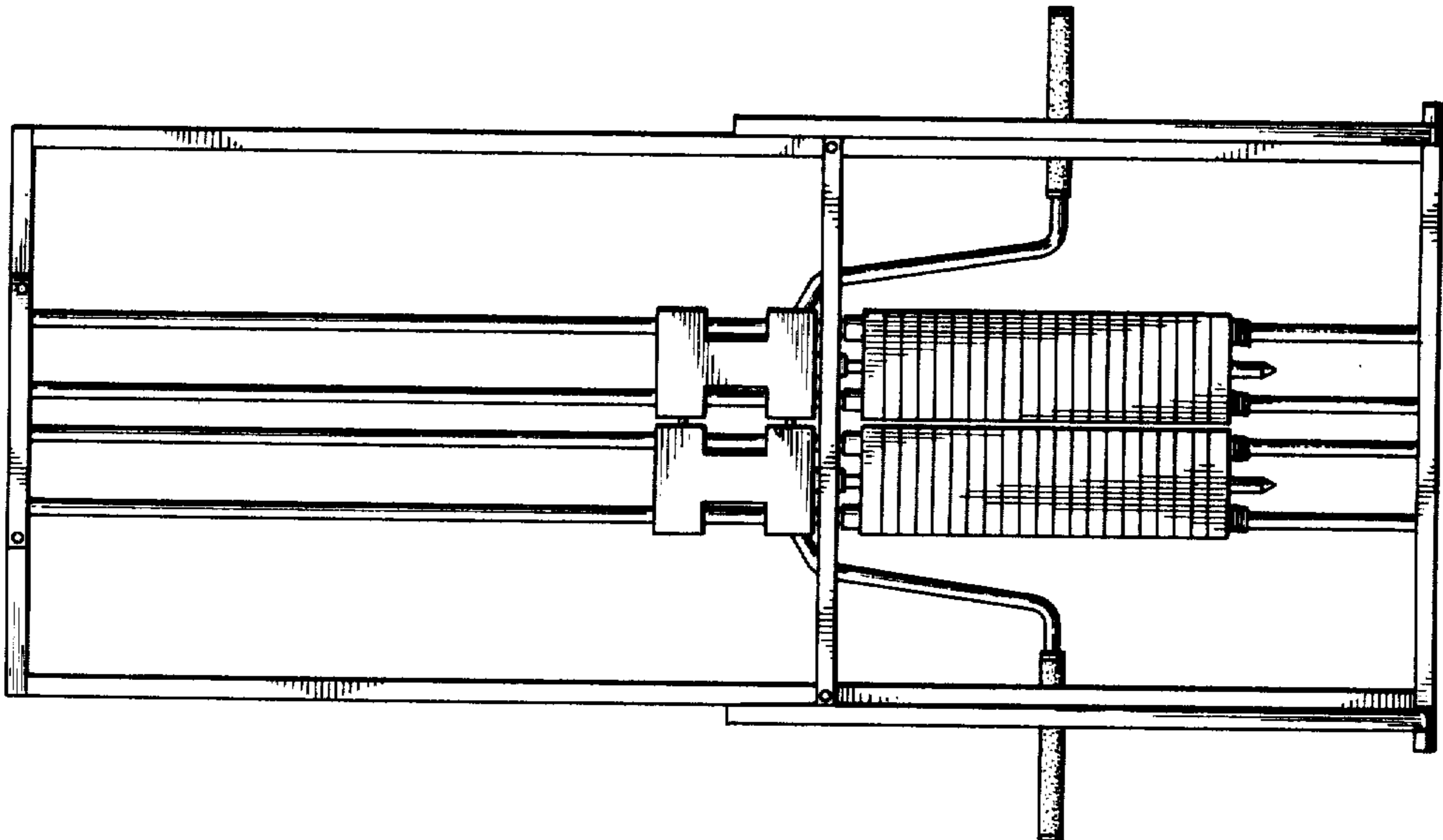
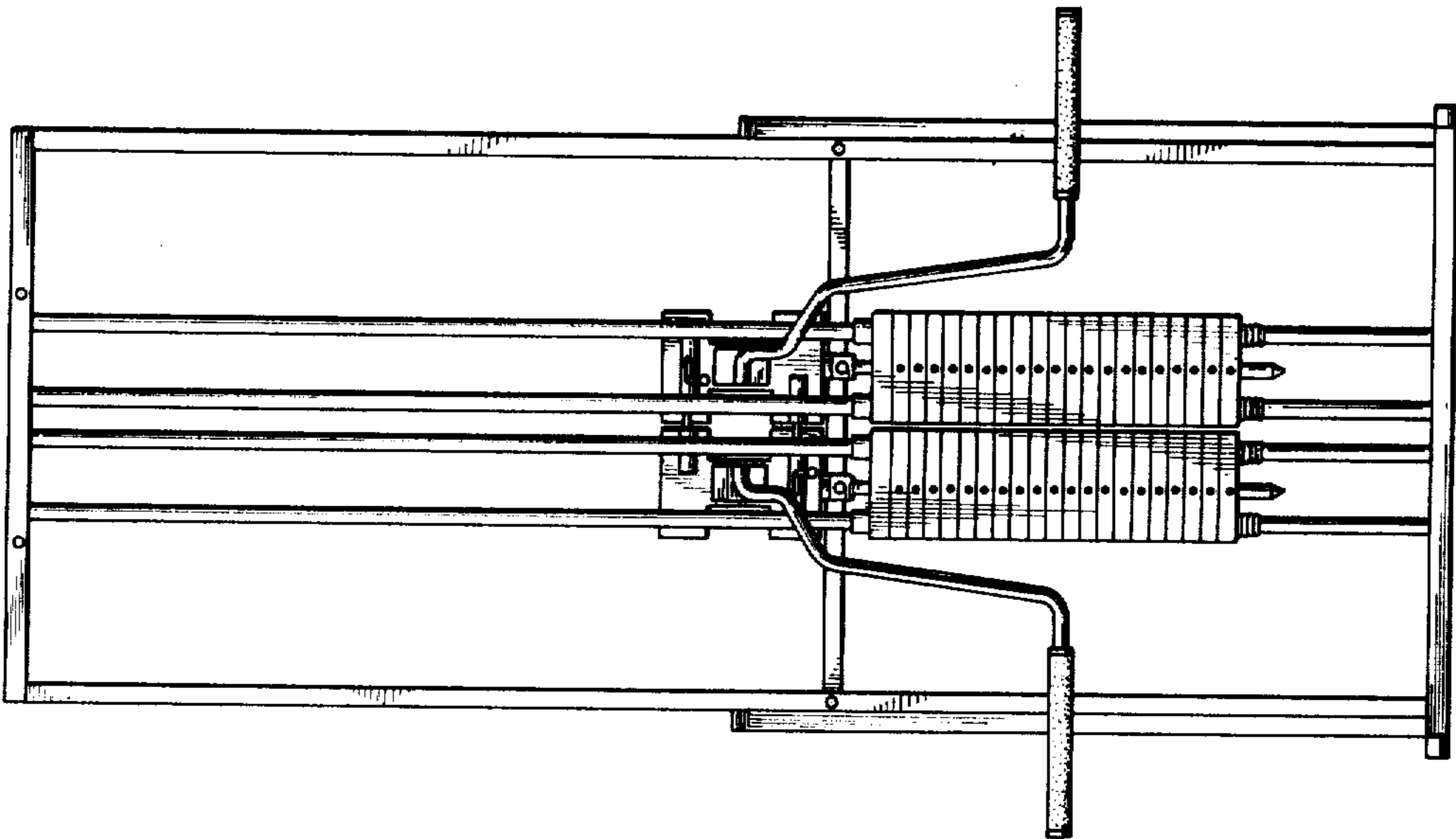


FIG.1



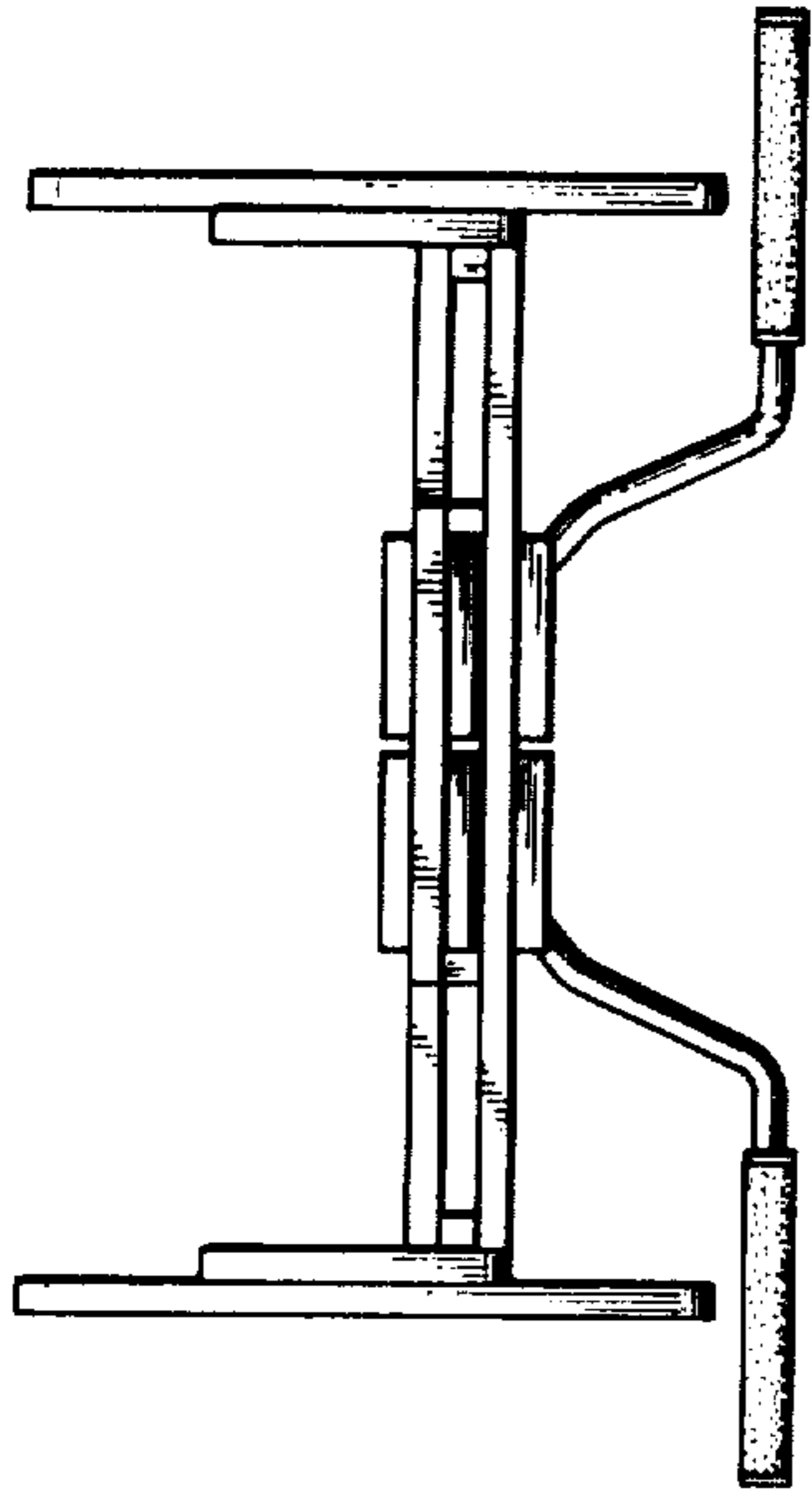


FIG. 5

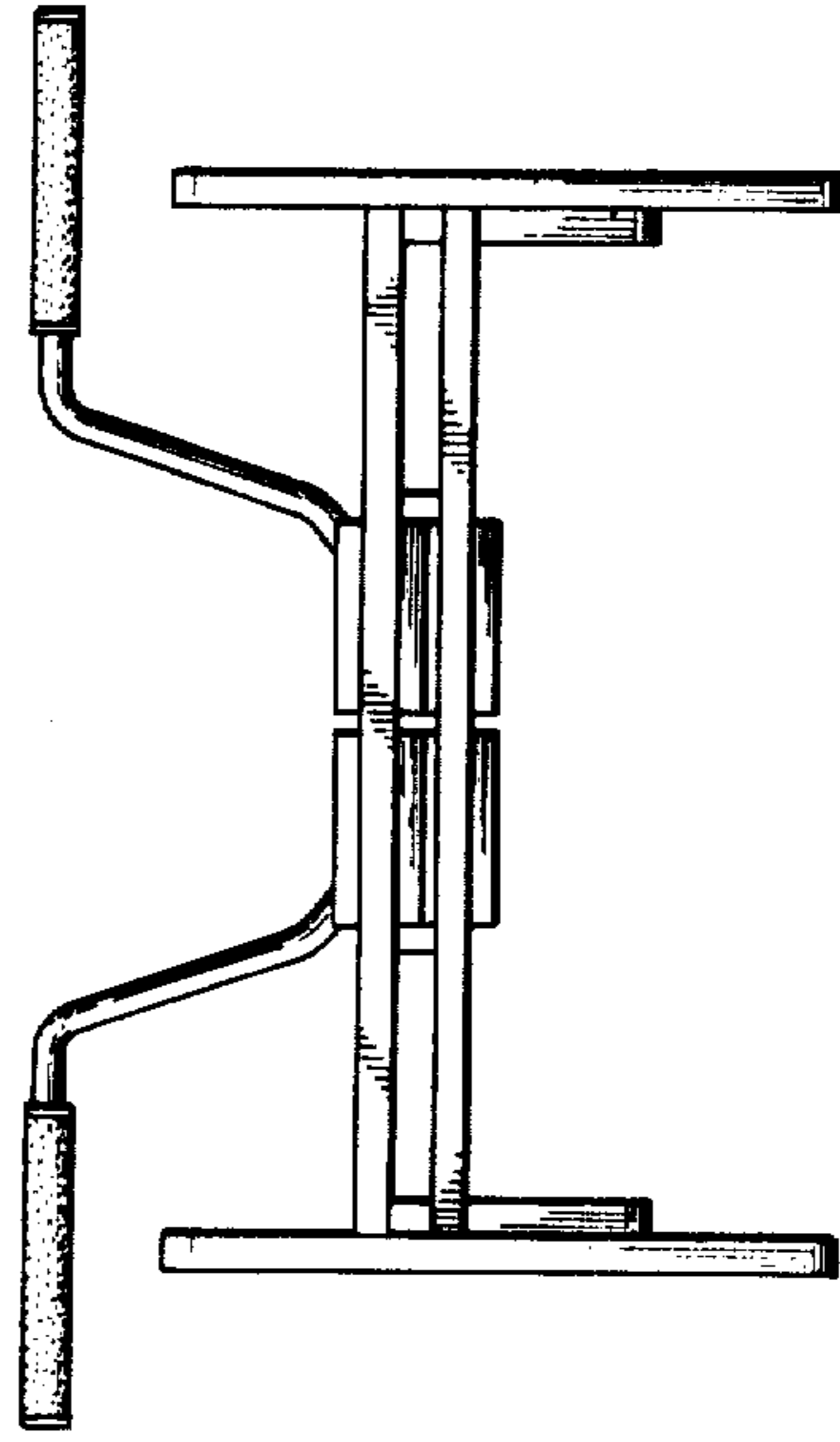


FIG. 6

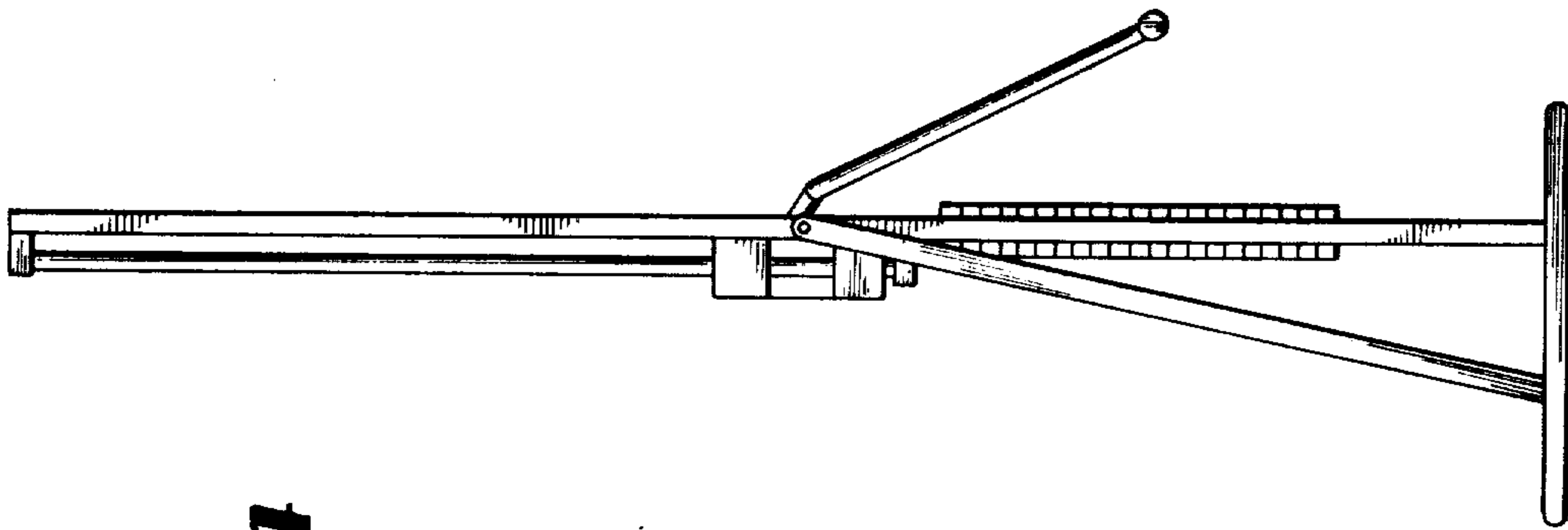


FIG. 4