

[54] **TOY TRACKWAY**

[75] **Inventor:** Toru Hirano, Tokyo, Japan

[73] **Assignee:** Tomy Kogyo Co., Inc., Tokyo, Japan

[**] **Term:** 14 Years

[21] **Appl. No.:** 22,172

[22] **Filed:** Mar. 20, 1979

[51] **Int. Cl.** D21—01

[52] **U.S. Cl.** D21/143

[58] **Field of Search** D21/141, 142, 143;
238/10 R, 10 A, 10 E, 10 F; 46/216, 1 K, 43;
104/60

[56] **References Cited**

U.S. PATENT DOCUMENTS

D. 220,577	4/1971	Arai	D21/143
D. 224,089	7/1972	Takeuchi	D21/143
D. 226,957	5/1973	Arai	D21/143
D. 233,620	11/1974	Seki	D21/143

Primary Examiner—Charles A. Rademaker
Attorney, Agent, or Firm—Staas and Halsey

[57] **CLAIM**

The ornamental design for a toy trackway, as shown.

DESCRIPTION

FIG. 1 is a front elevational view of a toy trackway showing my new design;
FIG. 2 is a rear elevational view thereof;
FIG. 3 is a right side elevational view thereof;
FIG. 4 is a left side elevational view thereof;
FIG. 5 is a top plan view thereof; and
FIG. 6 is a bottom plan view.

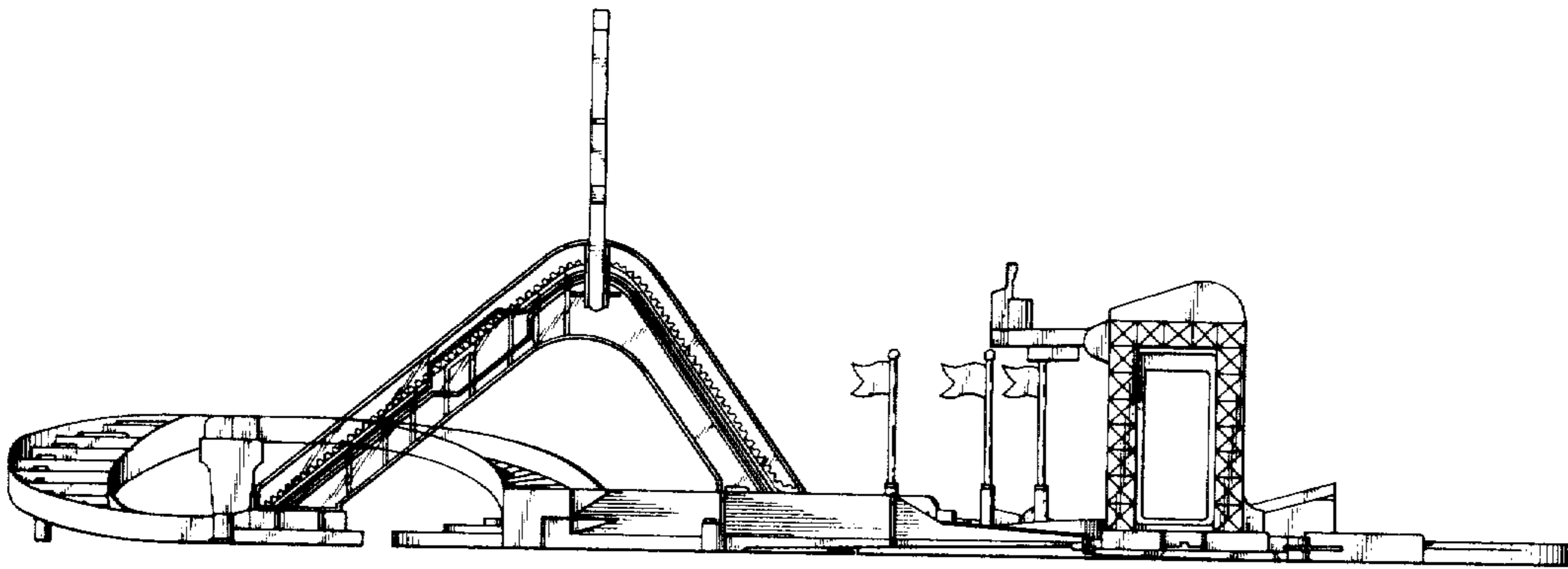


FIG. 1.

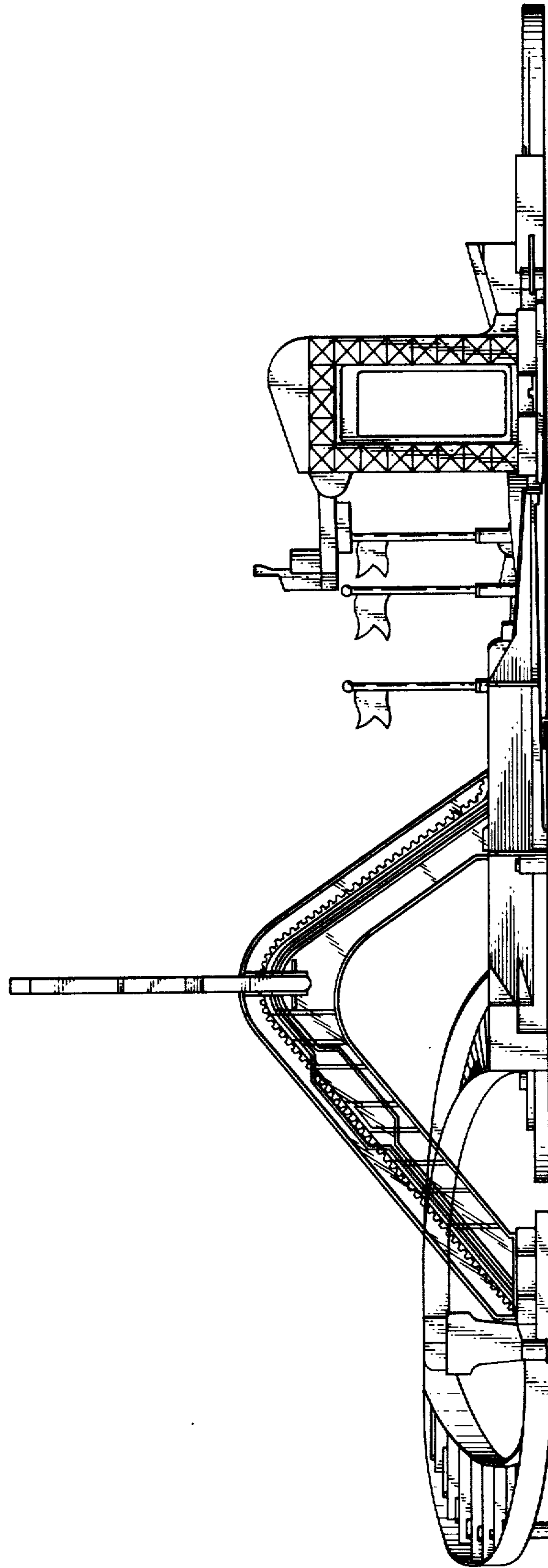


FIG. 2.

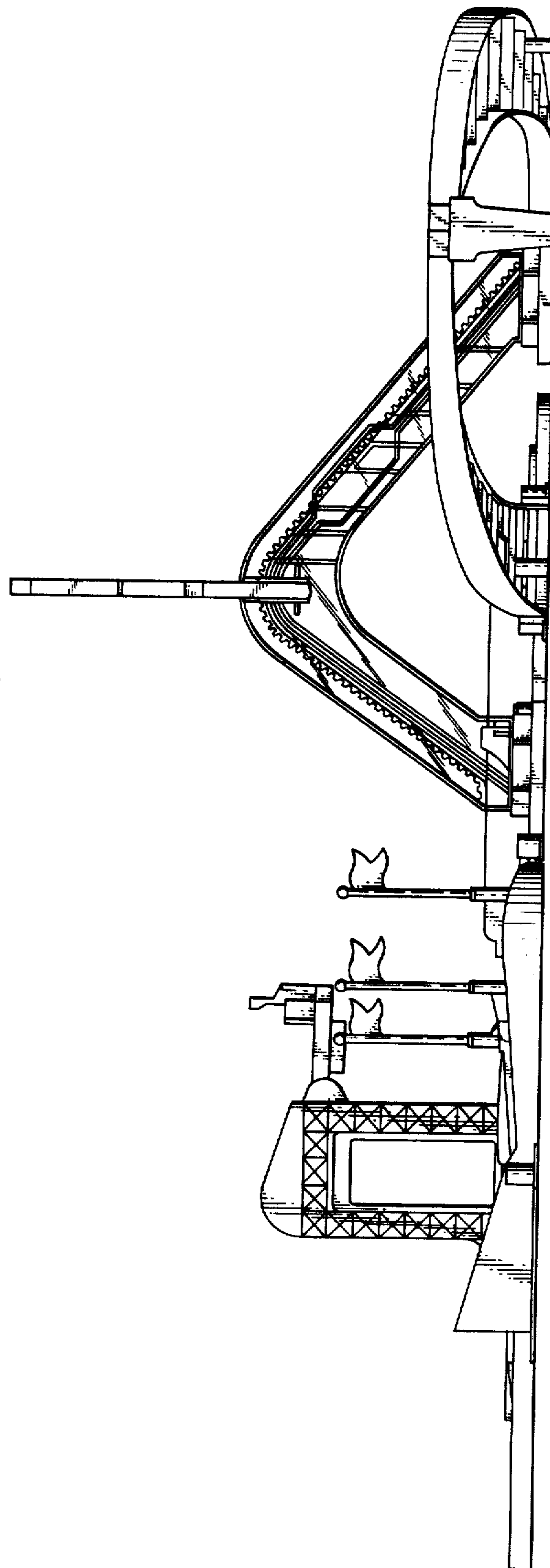


FIG. 3.

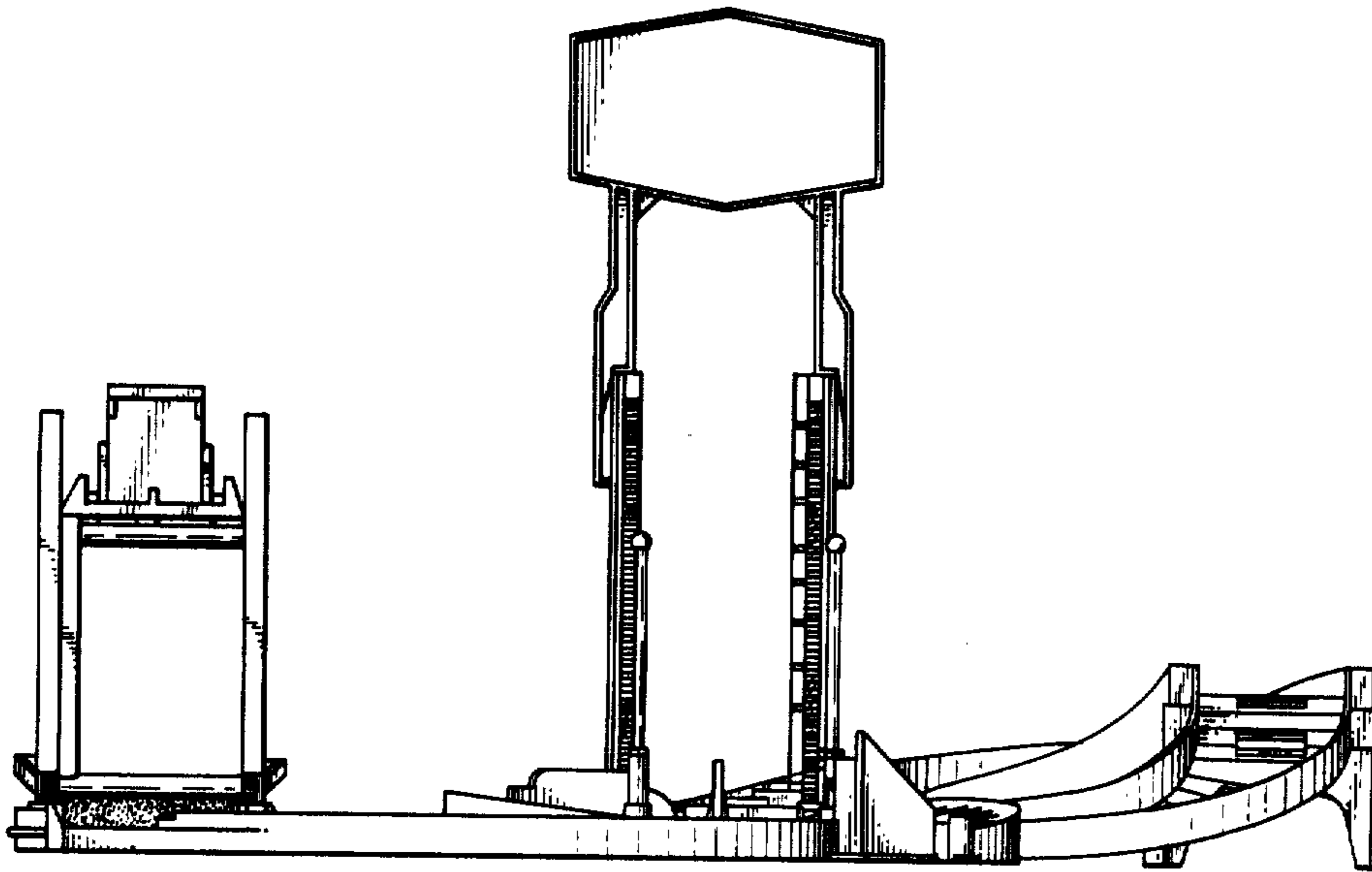


FIG. 4.

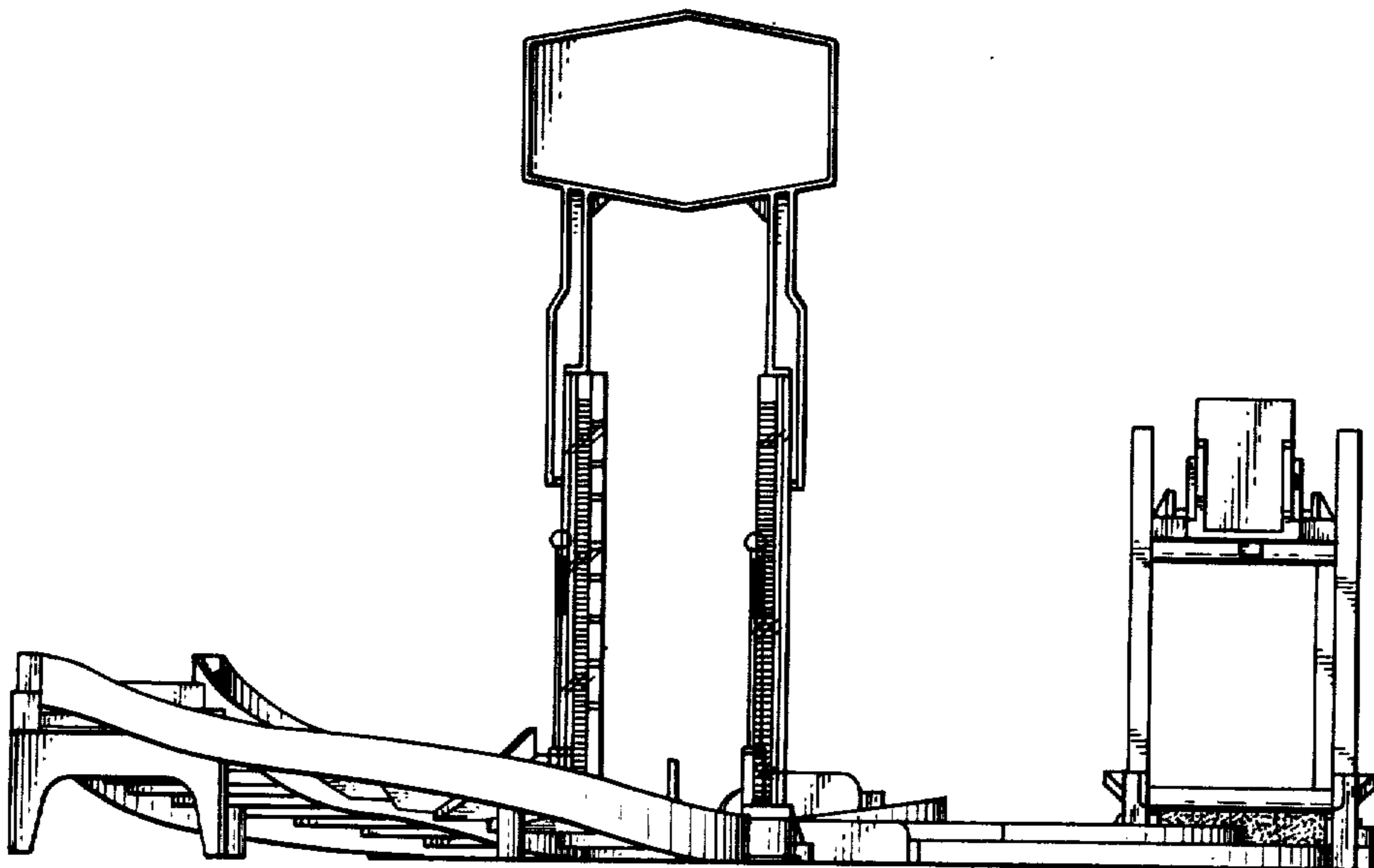


FIG. 5.

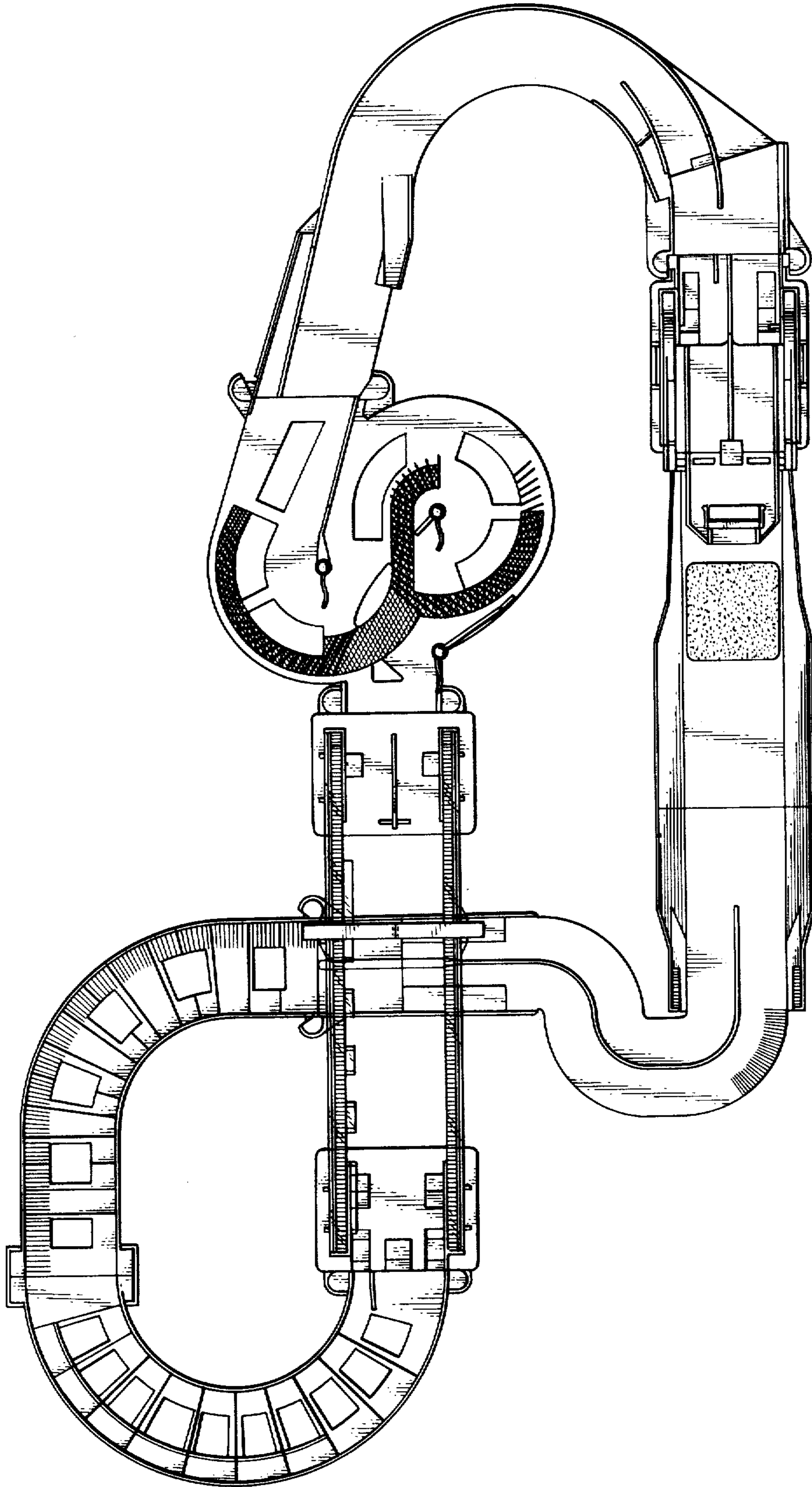


FIG. 6.

