

[54] **WALL OR PARTITION HUNG NAME PLATE/COAT HOOK**

[75] Inventor: **Donald A. DeMars**, Canoga Park, Calif.
 [73] Assignee: **Leroy M. Lefkowitz**, Van Nuys, Calif. ; a part interest
 [**] Term: **14 Years**
 [21] Appl. No.: **965,444**
 [22] Filed: **Nov. 30, 1978**

[51] Int. Cl. **D20-03**
 [52] U.S. Cl. **D20/42; D20/44**
 [58] Field of Search **D20/41-44, D20/10, 15; 40/10 R, 322, 617, 606, 605, 584, 617, 358, 615, 611, 594, 600; 248/489, 466, 467, 475 R**

[56] **References Cited**

U.S. PATENT DOCUMENTS

D. 238,412 1/1976 DeMars **D20/43 X**
 D. 238,461 1/1976 Bauman **D6/97**
 1,494,583 5/1924 Brooks **40/611**
 2,677,585 5/1954 La Voy **211/86 X**

FOREIGN PATENT DOCUMENTS

289521 6/1913 Fed. Rep. of Germany **40/615**

OTHER PUBLICATIONS

Andco Industrial Corp.: Interior Architectural Signage, Cat. 5.

Primary Examiner—Peter Feldman
Attorney, Agent, or Firm—Donald M. Cislo

[57] **CLAIM**

The ornamental design for a wall or partition hung name plate/coat hook, as shown and described.

DESCRIPTION

FIG. 1 is a reduced perspective view of a wall or partition hung name plate/coat hook showing my new design, the interior partition or the like being shown in broken lines for illustrative purposes only;

FIG. 2 is an enlarged front, top, right side perspective view thereof;

FIG. 3 is a front elevational view thereof;

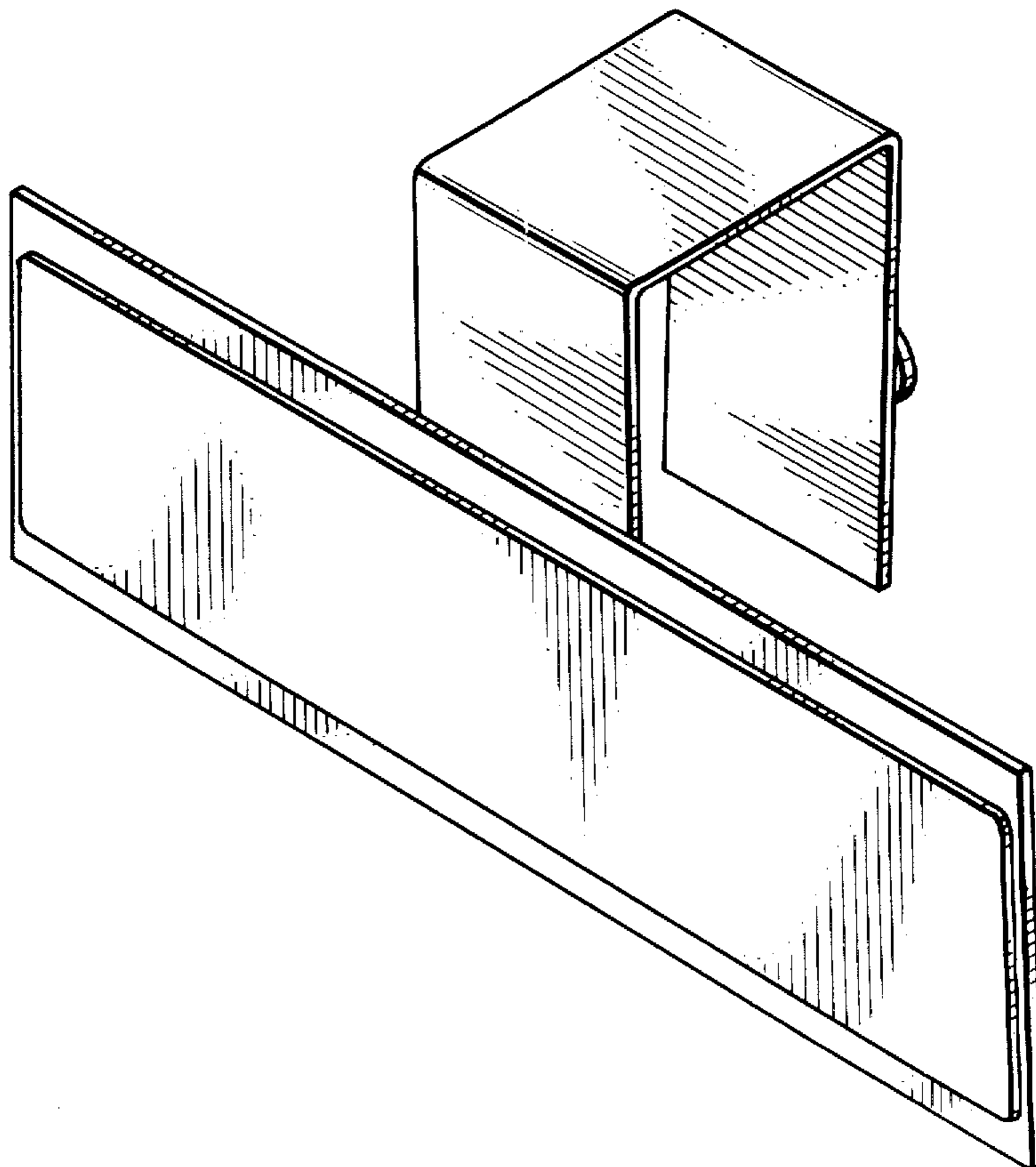
FIG. 4 is a side elevational view thereof, the opposite view being a mirror image of the side shown;

FIG. 5 is a top view thereof;

FIG. 6 is a bottom view thereof;

FIG. 7 is a rear elevational view thereof;

FIGS. 8, 9, and 10 are second, third, and fourth embodiments of the design of FIG. 1, differing from said design in the bracket or partition retaining portion, the same having varying widths to accommodate different width partitions.



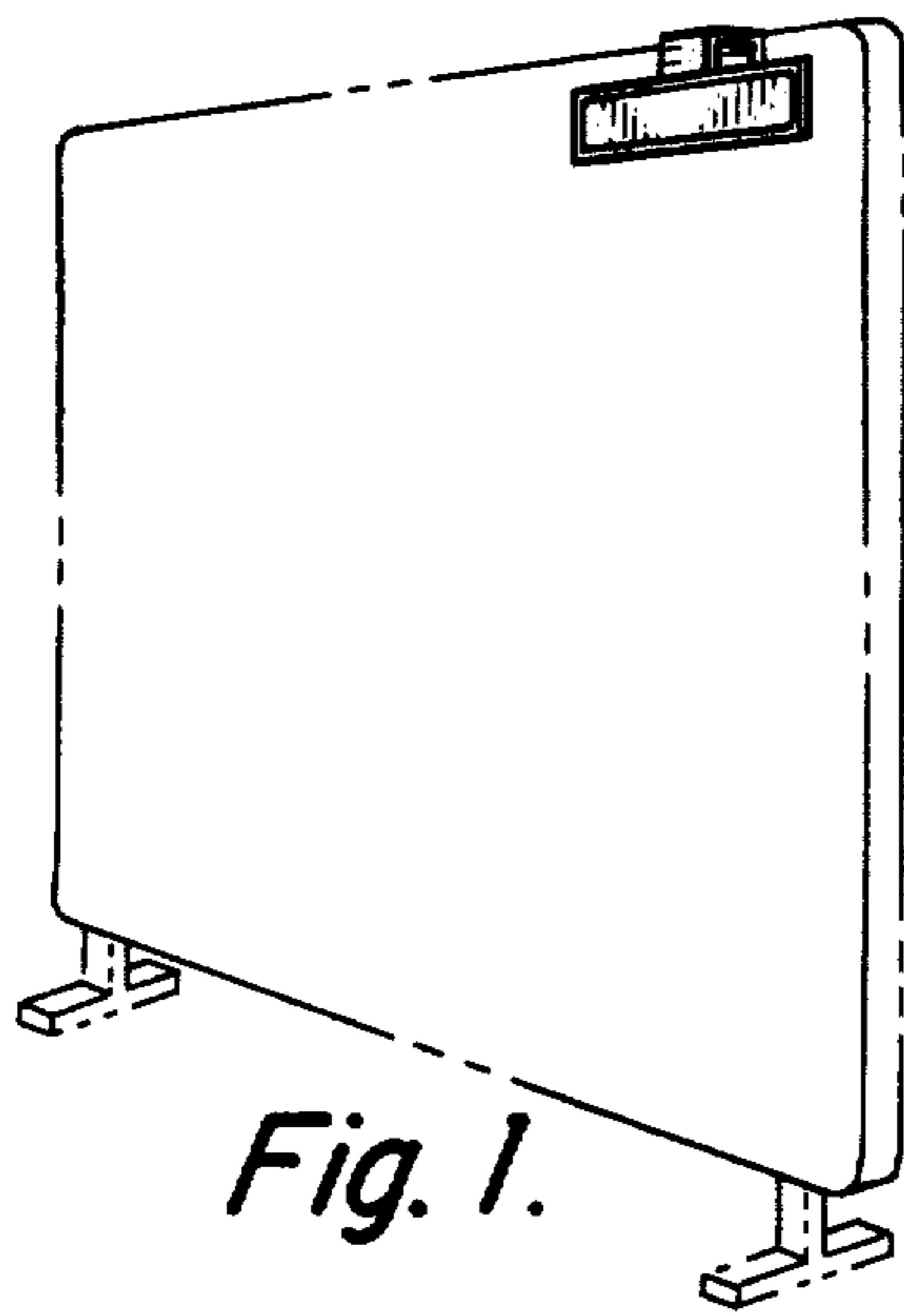


Fig. 1.

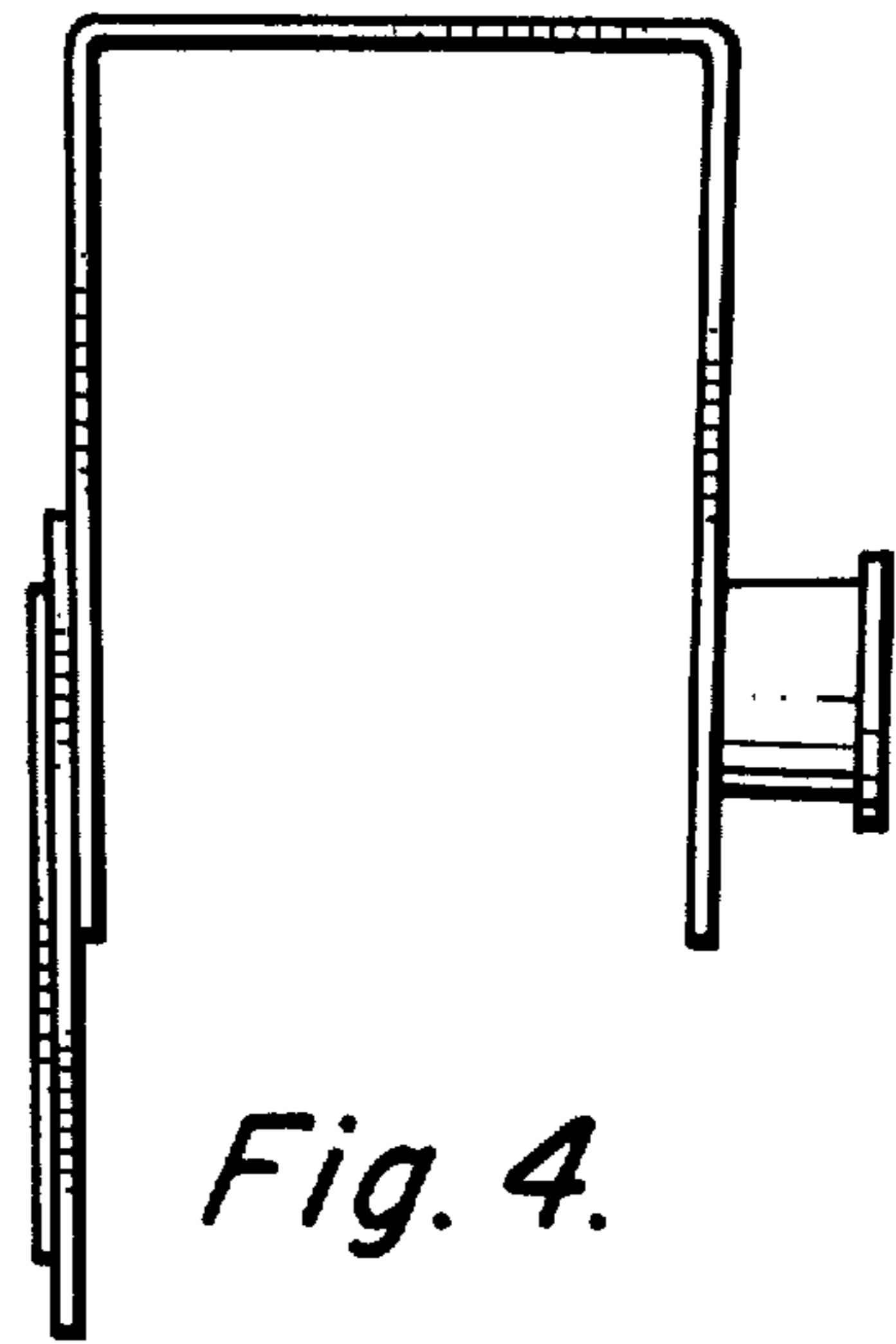


Fig. 4.

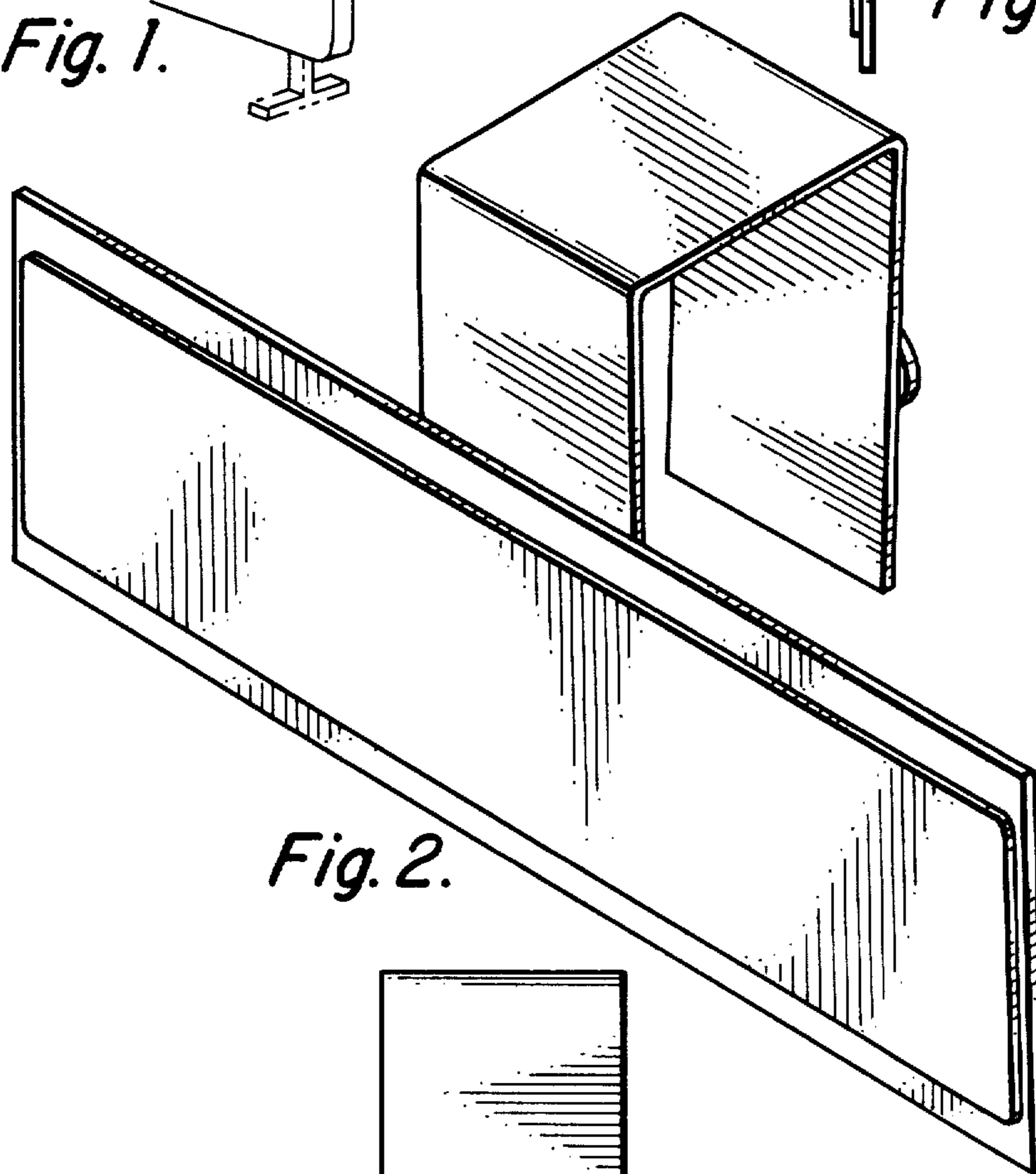


Fig. 2.

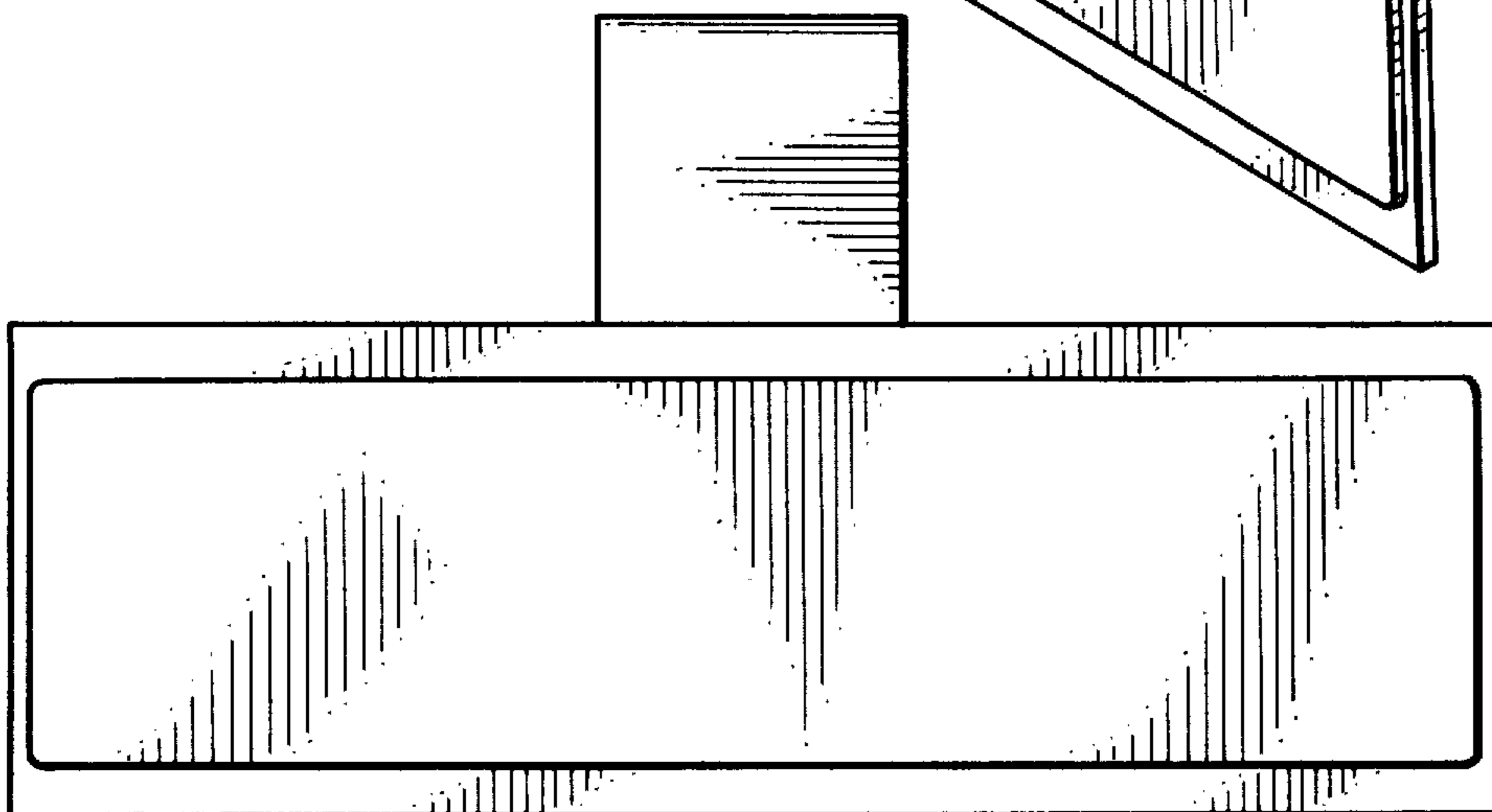


Fig. 3.

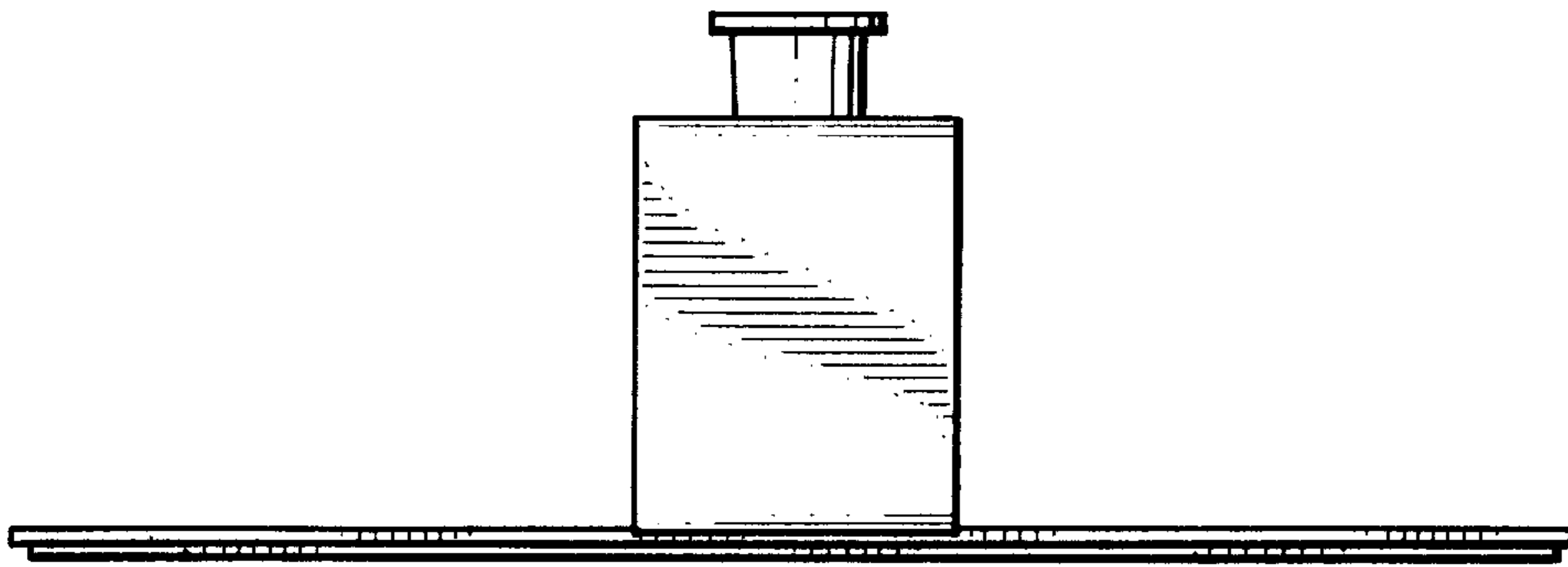


Fig. 5.

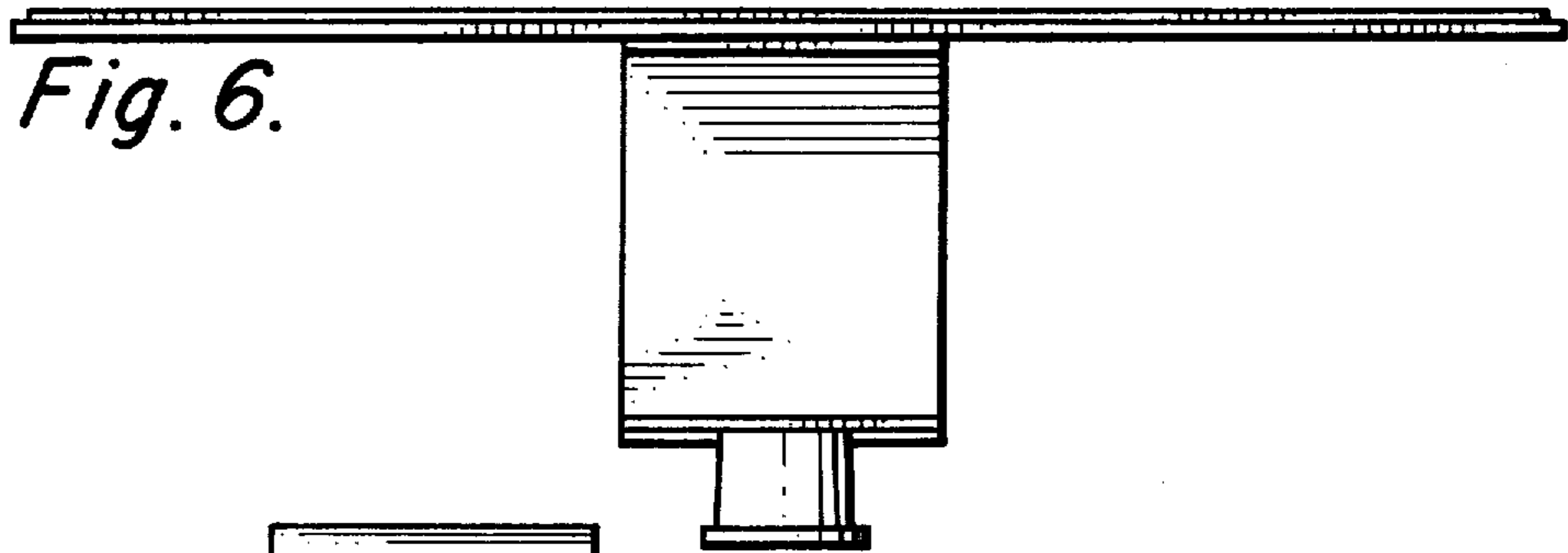


Fig. 6.

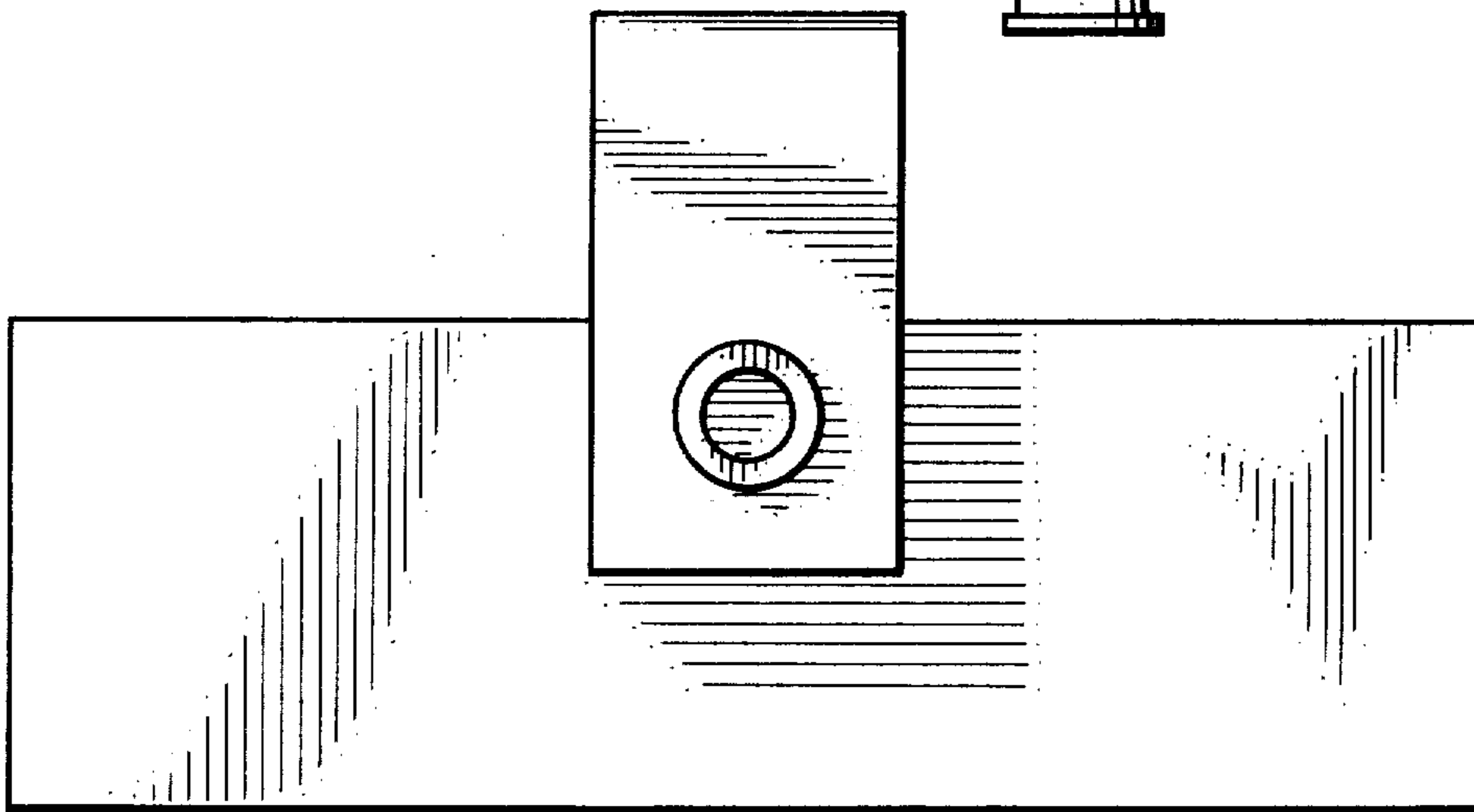


Fig. 7.

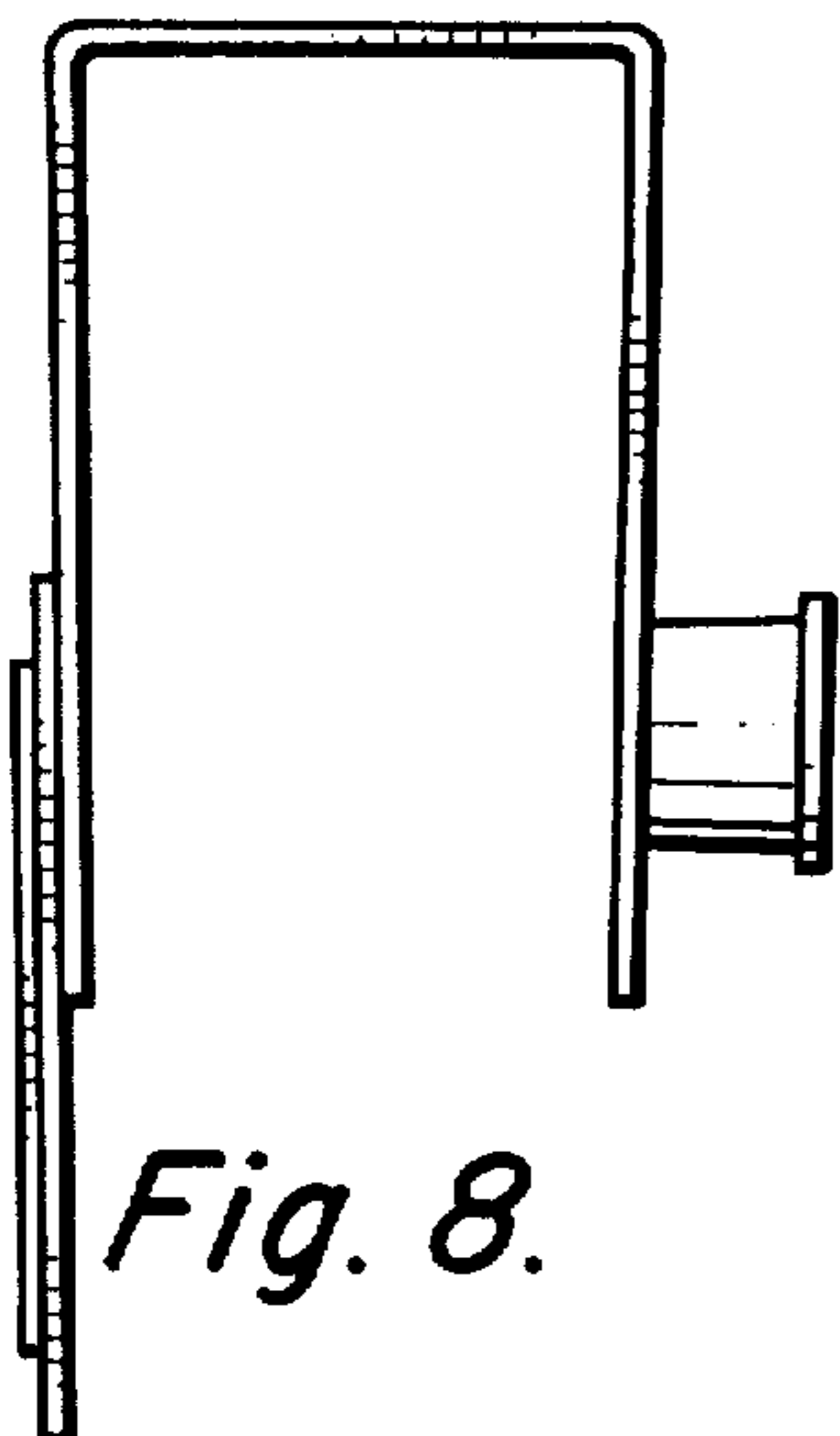


Fig. 8.

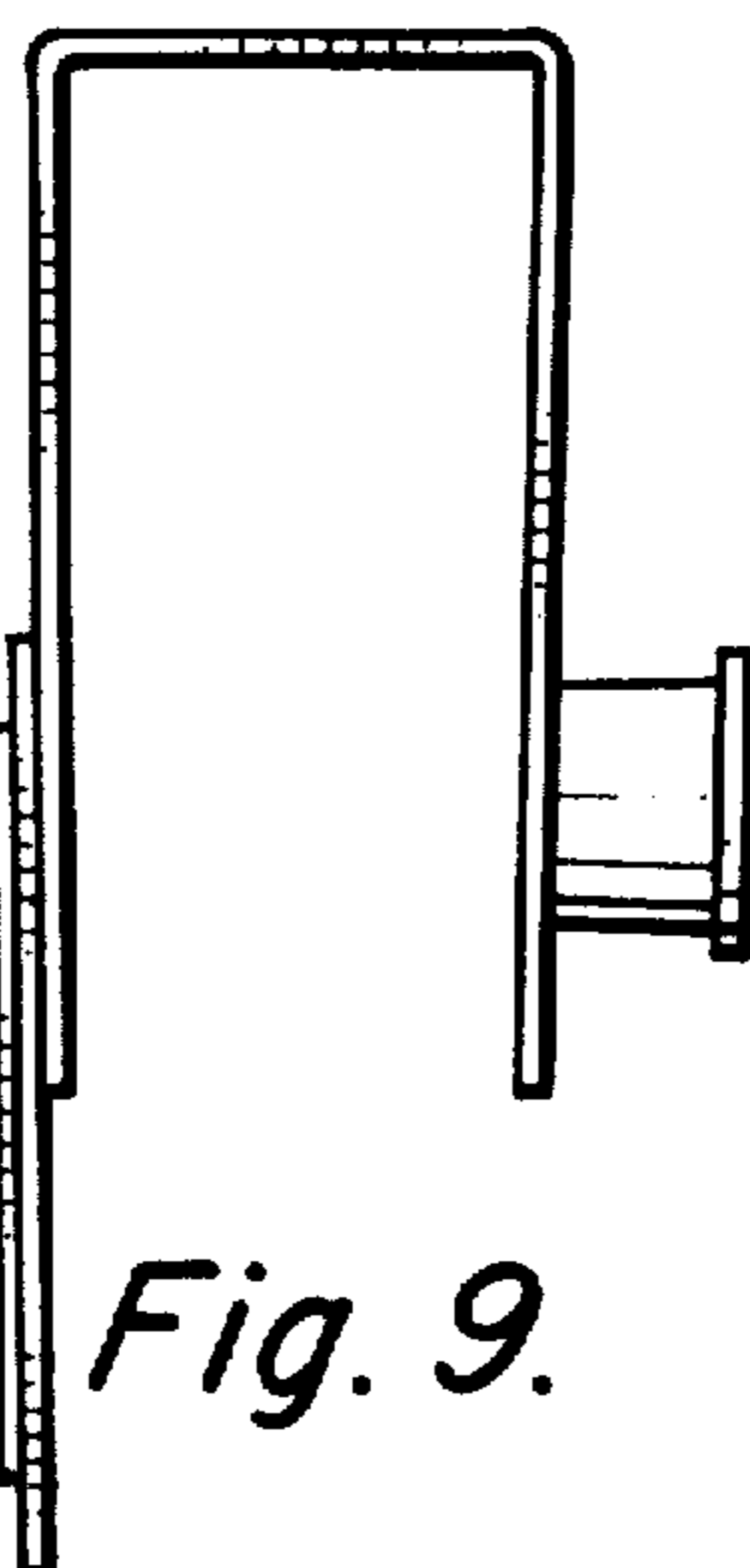


Fig. 9.

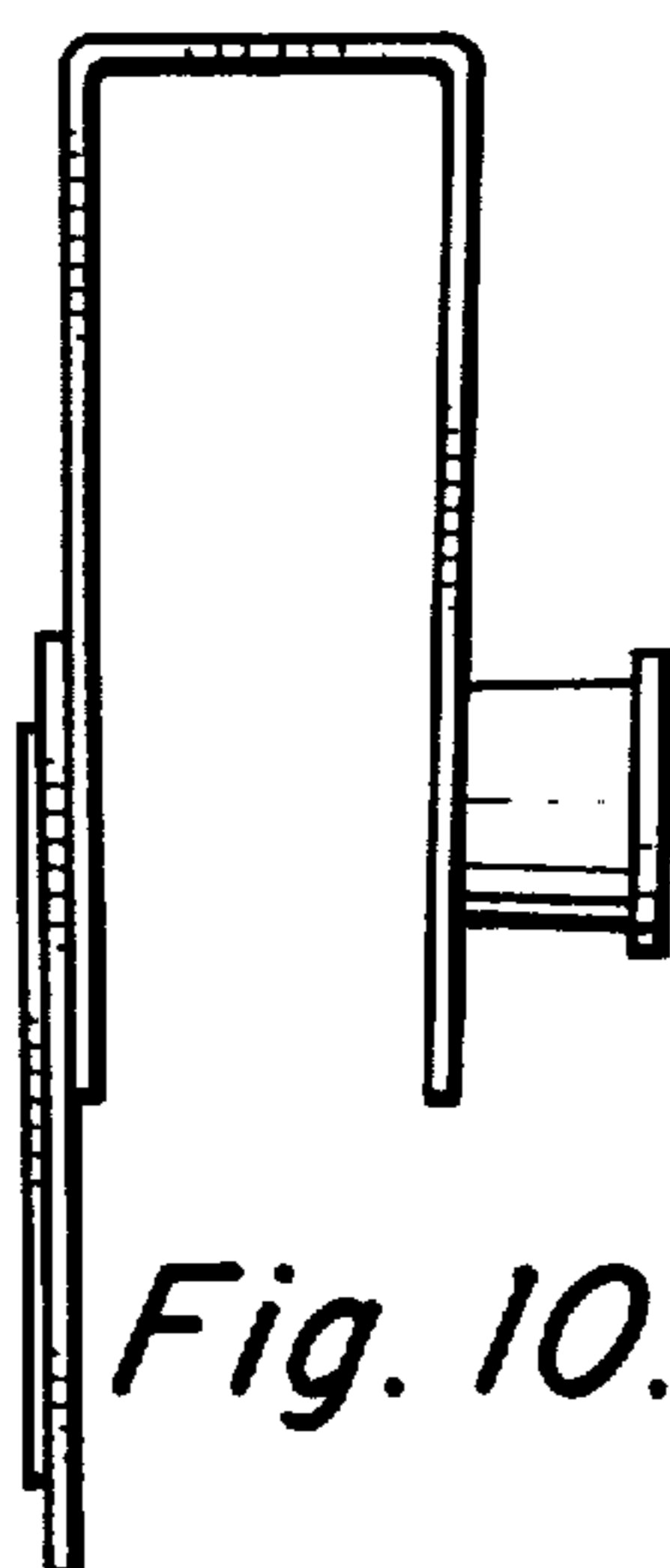


Fig. 10.