

[54] PHOTOGRAPHIC ENLARGEMENT
PRINTER

[75] Inventor: Sam Schwartz, Los Angeles, Calif.

[73] Assignee: Post-R-Matic, Inc., Marina del Rey,
Calif.

[**] Term: 14 Years

[21] Appl. No.: 963,911

[22] Filed: Nov. 27, 1978

[51] Int. Cl. D16-03

[52] U.S. Cl. D16/28

[58] Field of Search D16/2, 27-32;
355/18, 19, 78

[56] References Cited

U.S. PATENT DOCUMENTS

D. 178,689	9/1956	Oiler	D16/28
2,003,190	5/1935	Hineline	355/19
2,397,668	4/1946	Kesses	355/19
3,040,640	6/1962	Abel, Jr. et al.	355/19

3,424,527	1/1969	Bremson, Jr.	355/19
3,810,694	5/1974	Harrell et al.	355/18

FOREIGN PATENT DOCUMENTS

684709	4/1964	Canada	355/18
--------	--------	--------	-------	--------

OTHER PUBLICATIONS

3,272,106 09001966 Czekalla 355 18 X

Primary Examiner—Catherine E. Kemper
Attorney, Agent, or Firm—Paul D. Supnik

[57] CLAIM

The ornamental design for a photographic enlargement printer, substantially as shown and described.

DESCRIPTION

FIG. 1 is a perspective view taken from the top, front and left side of a photographic enlargement printer showing my new design;

FIG. 2 is a top plan view thereof;

FIG. 3 is a right side elevational view thereof; and

FIG. 4 is a rear elevational view thereof.

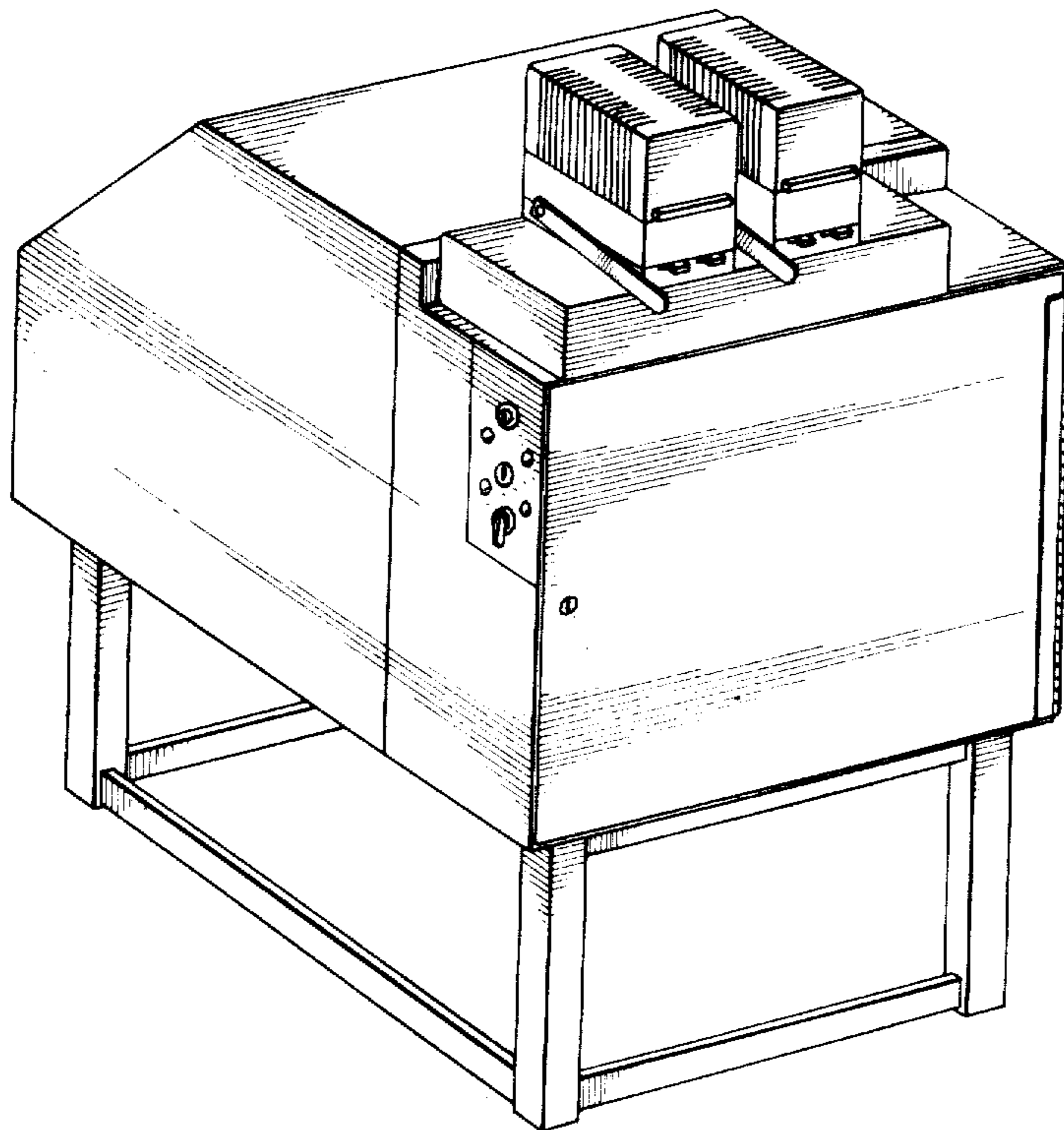


FIG. 1.

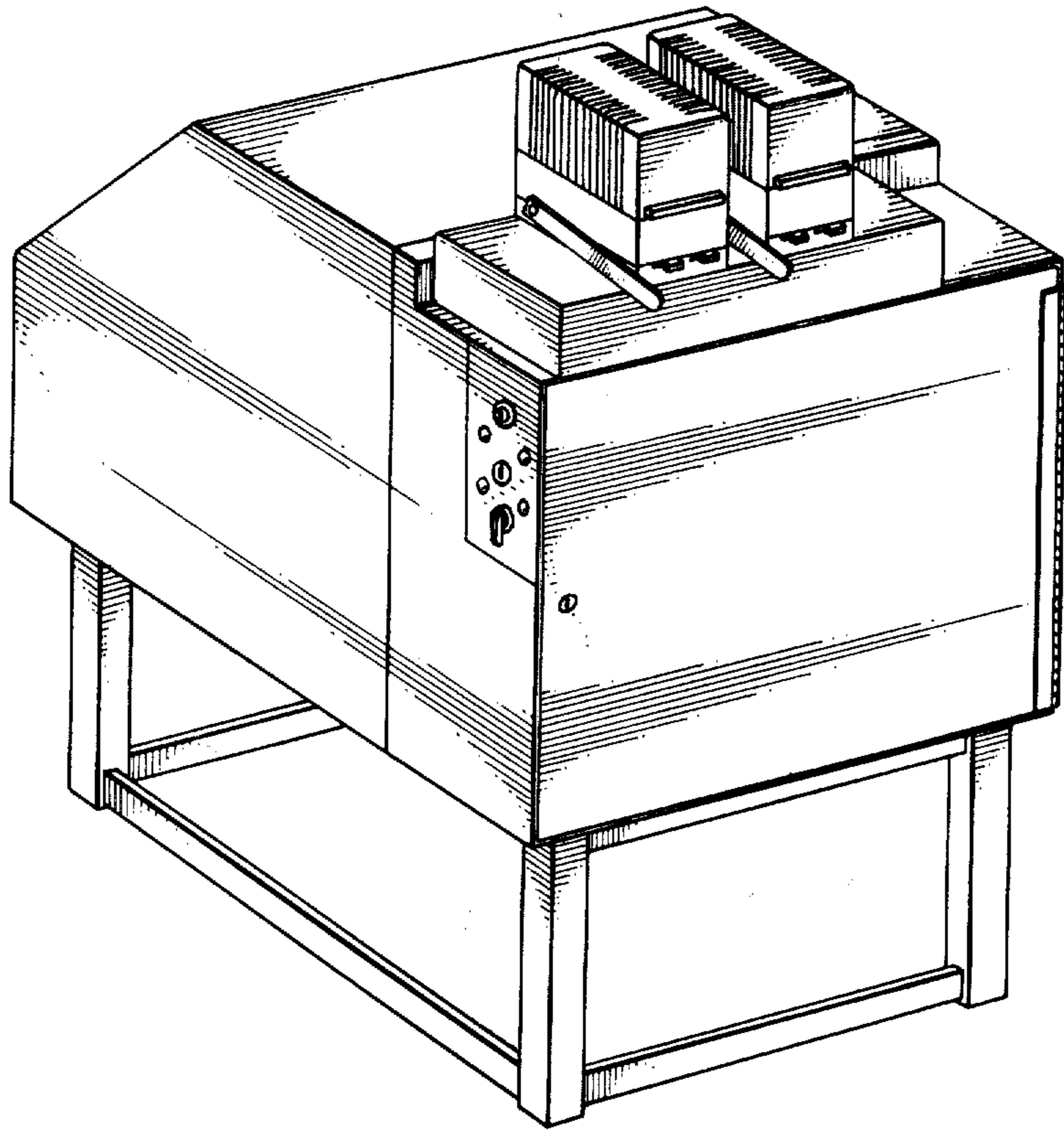


FIG. 2.

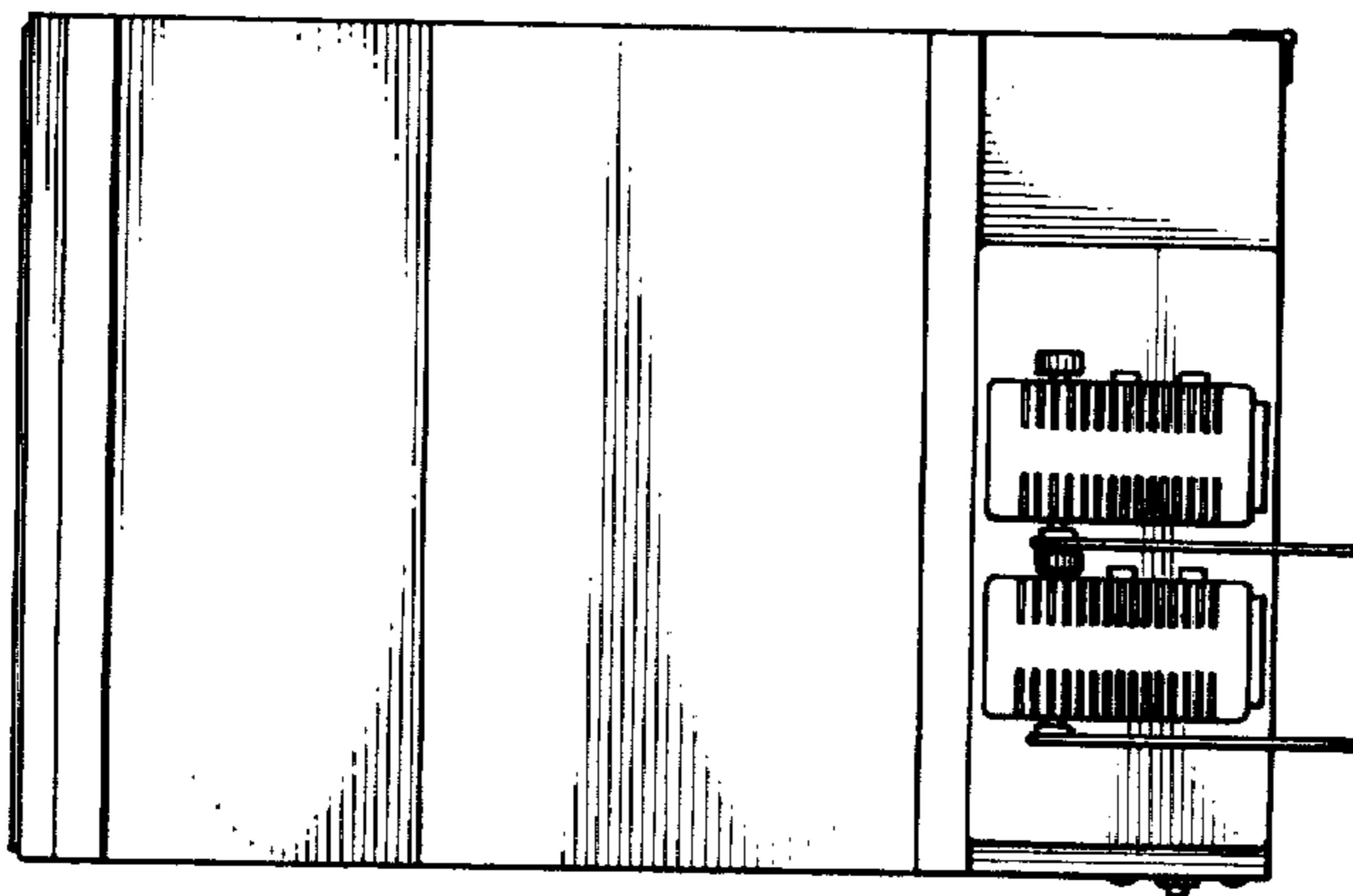


FIG. 3.

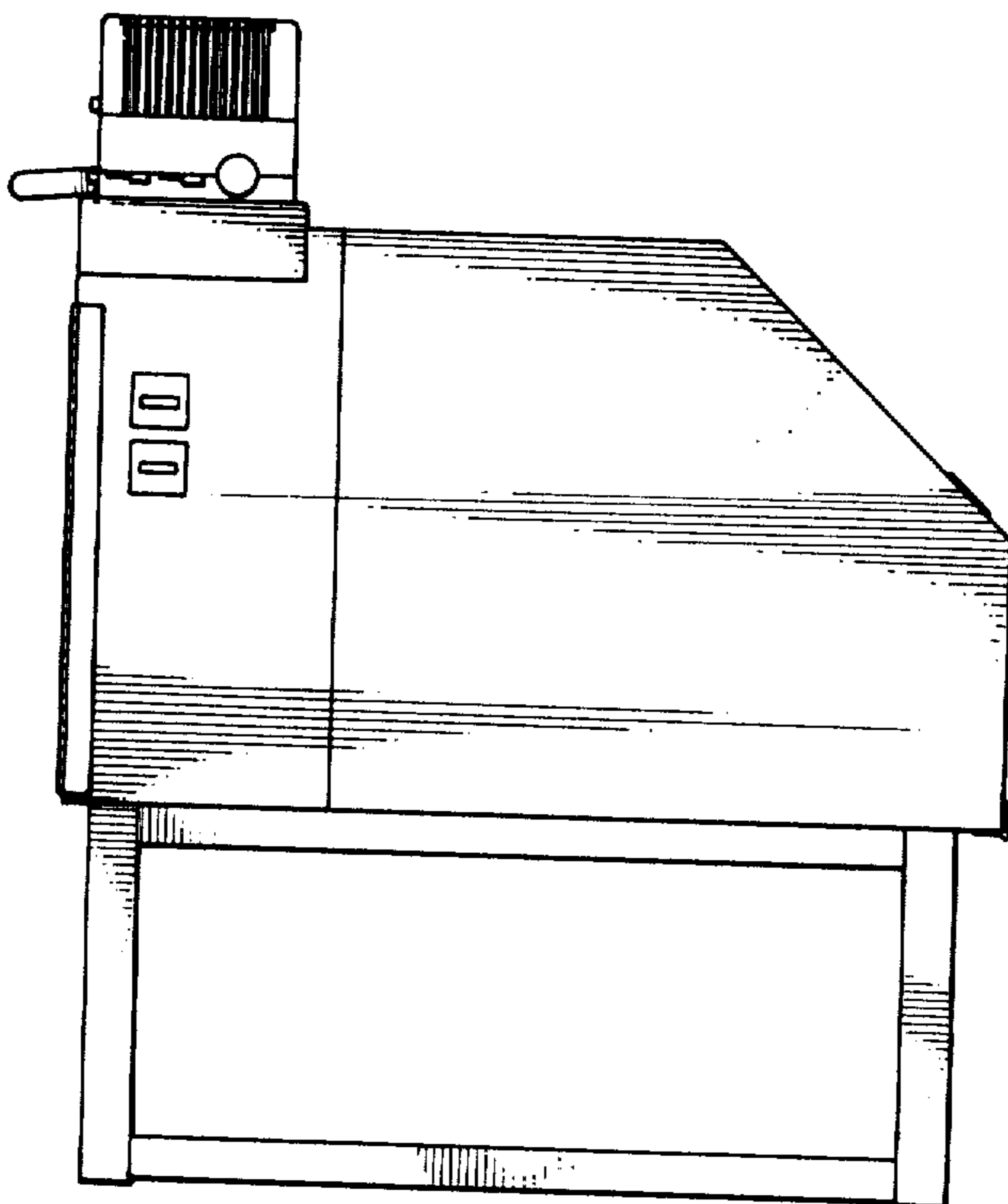


FIG. 4.

