

[54] BRAKE SHOE

[76] Inventor: Richard C. Everett, 225 S. Sunshine
La., West Linn, Oreg. 97221

[**] Term: 14 Years

[21] Appl. No.: 4,026

[22] Filed: Jan. 17, 1979

[51] Int. Cl. D12-16

[52] U.S. Cl. D12/180

[58] Field of Search D12/180, 179; 188/73.1,
188/250 R, 250 B, 250 E, 24

[56] References Cited

U.S. PATENT DOCUMENTS

D. 247,906	5/1978	Erl	D12/114
3,840,093	10/1974	Hamayasu	188/73.1
3,986,585	10/1976	Toplis et al.	188/250 B
4,029,181	6/1977	Lewis	188/250 B

FOREIGN PATENT DOCUMENTS

852344	7/1949	Fed. Rep. of Germany	...	188/250 B
2514277	10/1975	Fed. Rep. of Germany	188/73.1
487431	6/1938	United Kingdom	188/250 R

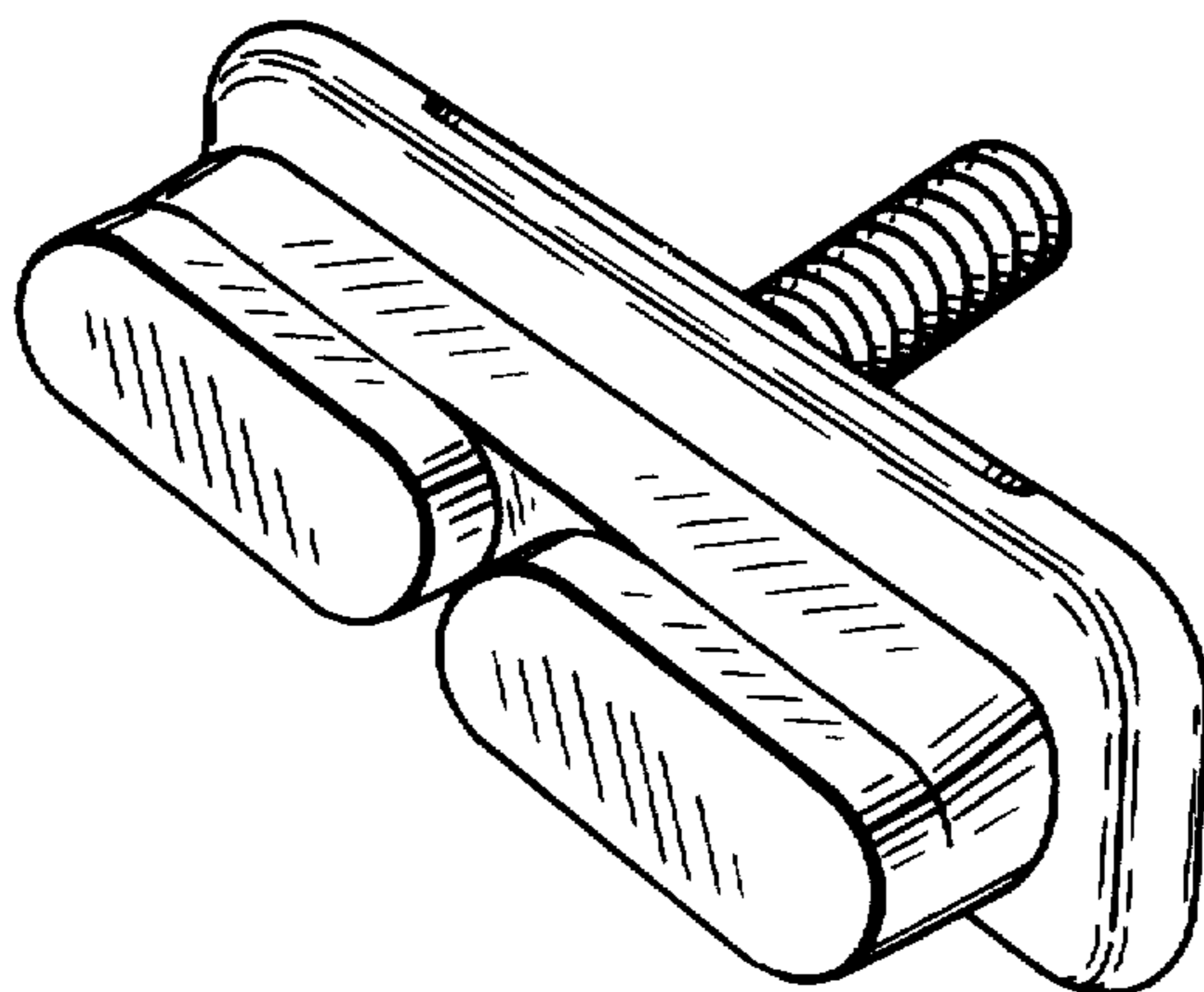
Primary Examiner—T. Tung
Attorney, Agent, or Firm—Edward E. Roberts

[57] CLAIM

The ornamental design for a brake shoe, as shown.

DESCRIPTION

FIG. 1 is a perspective view of a brake shoe embodying my new design;
FIG. 2 is a bottom plan view thereof;
FIG. 3 is a top plan view thereof;
FIG. 4 is a front elevation view thereof;
FIG. 5 is a side view taken from the left of FIG. 3 and rotated 90 degrees;
FIG. 6 is a side view taken from the right of FIG. 3 and rotated 90 degrees; and
FIG. 7 is a rear elevation view thereof.



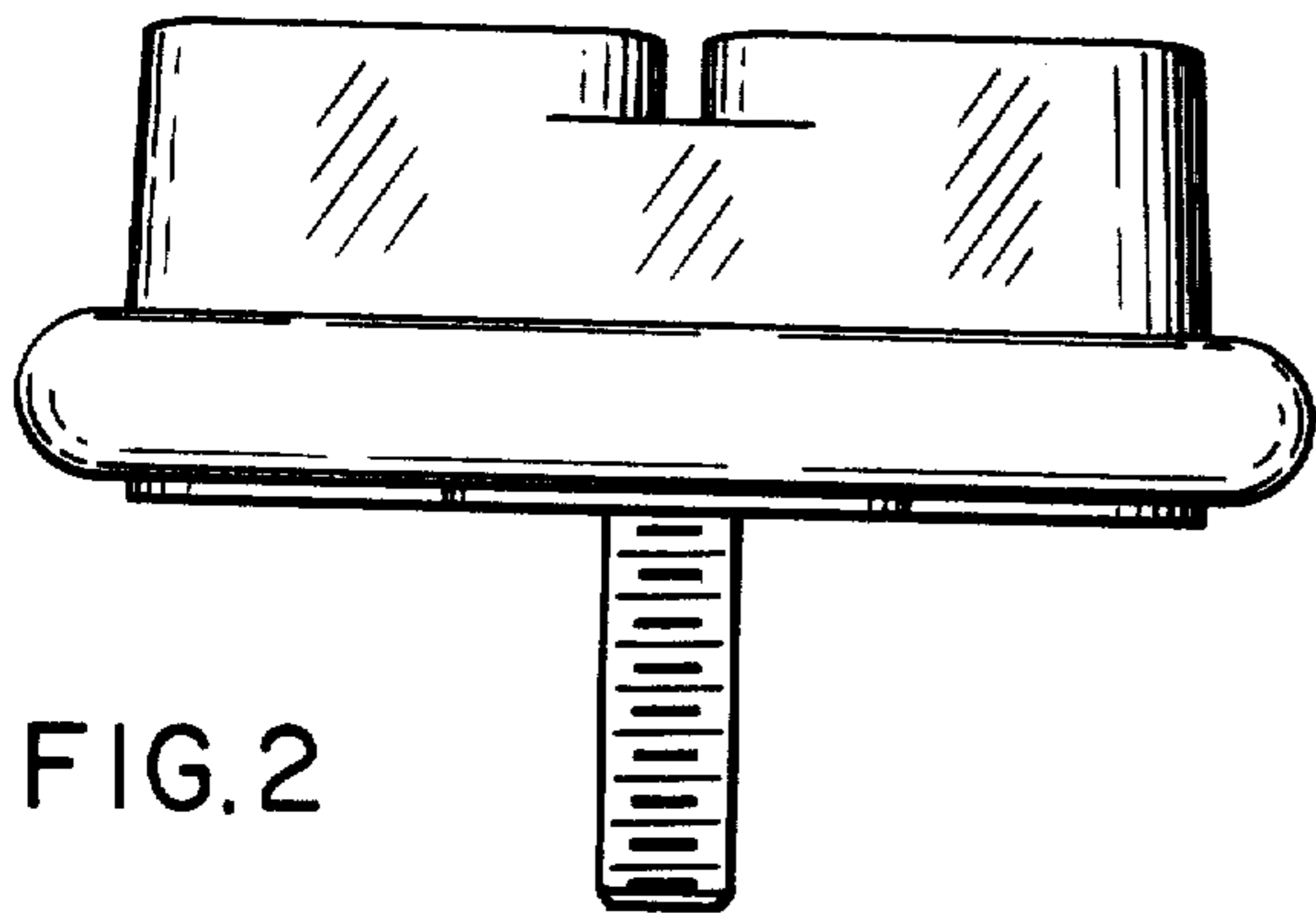


FIG. 2

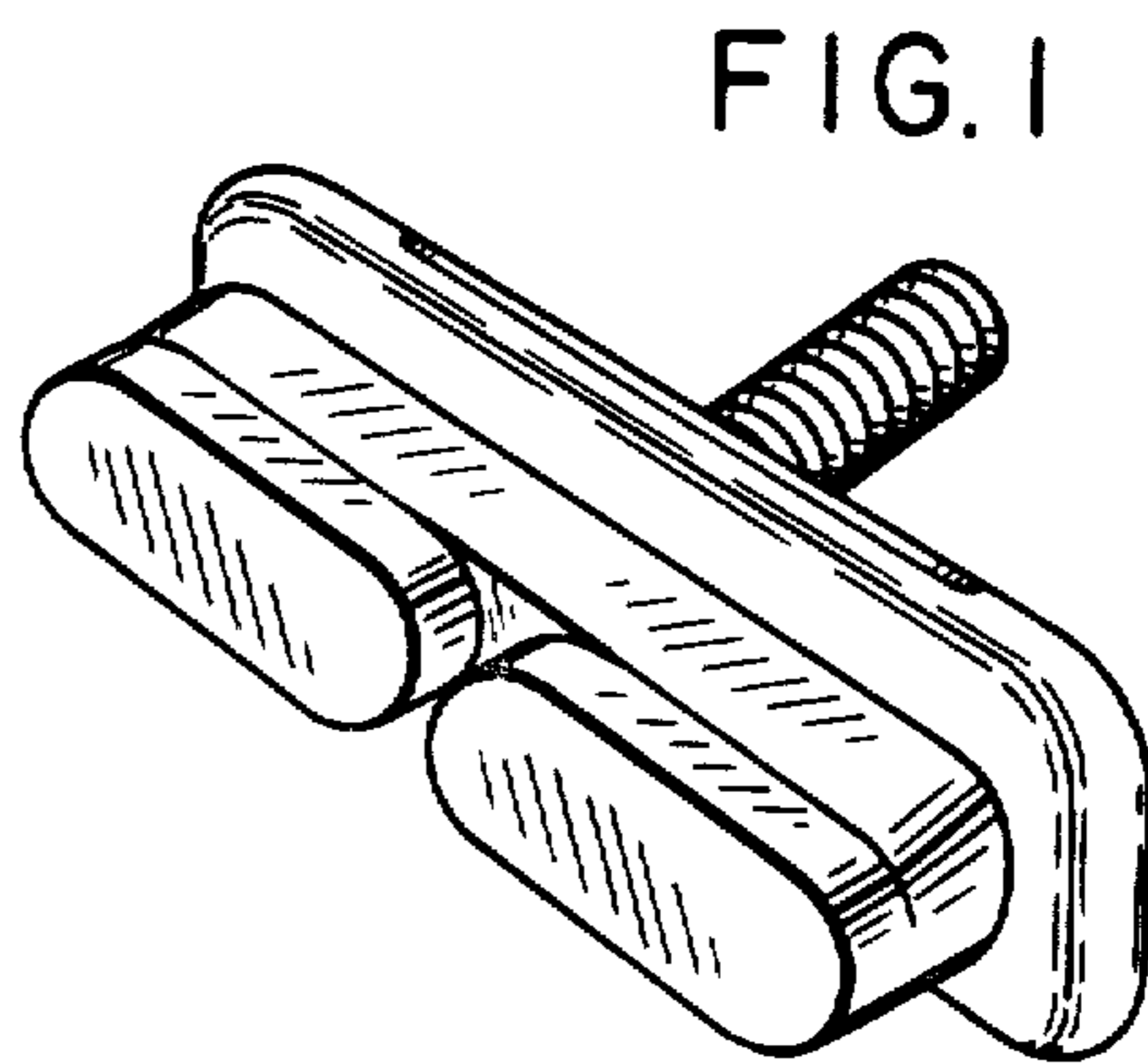


FIG. 1

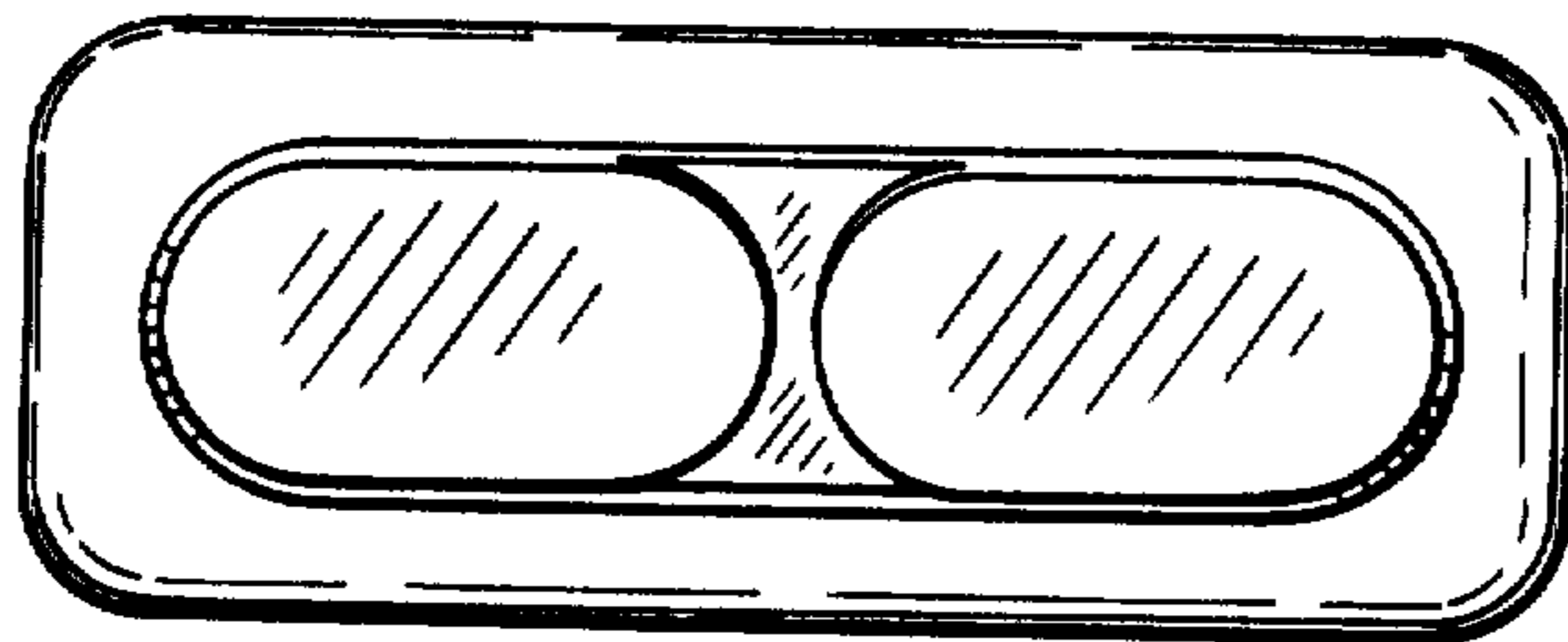


FIG. 4

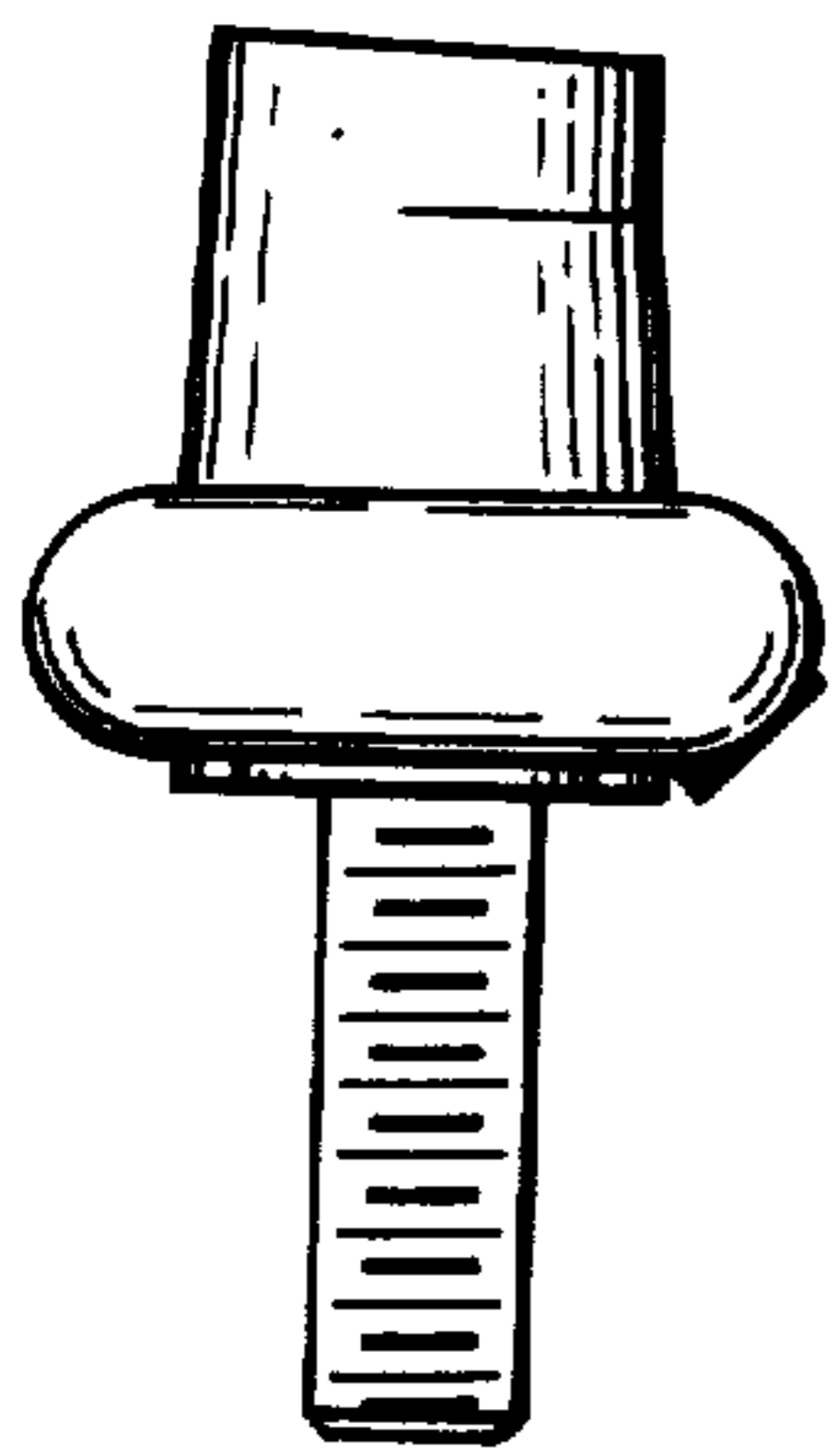


FIG. 5

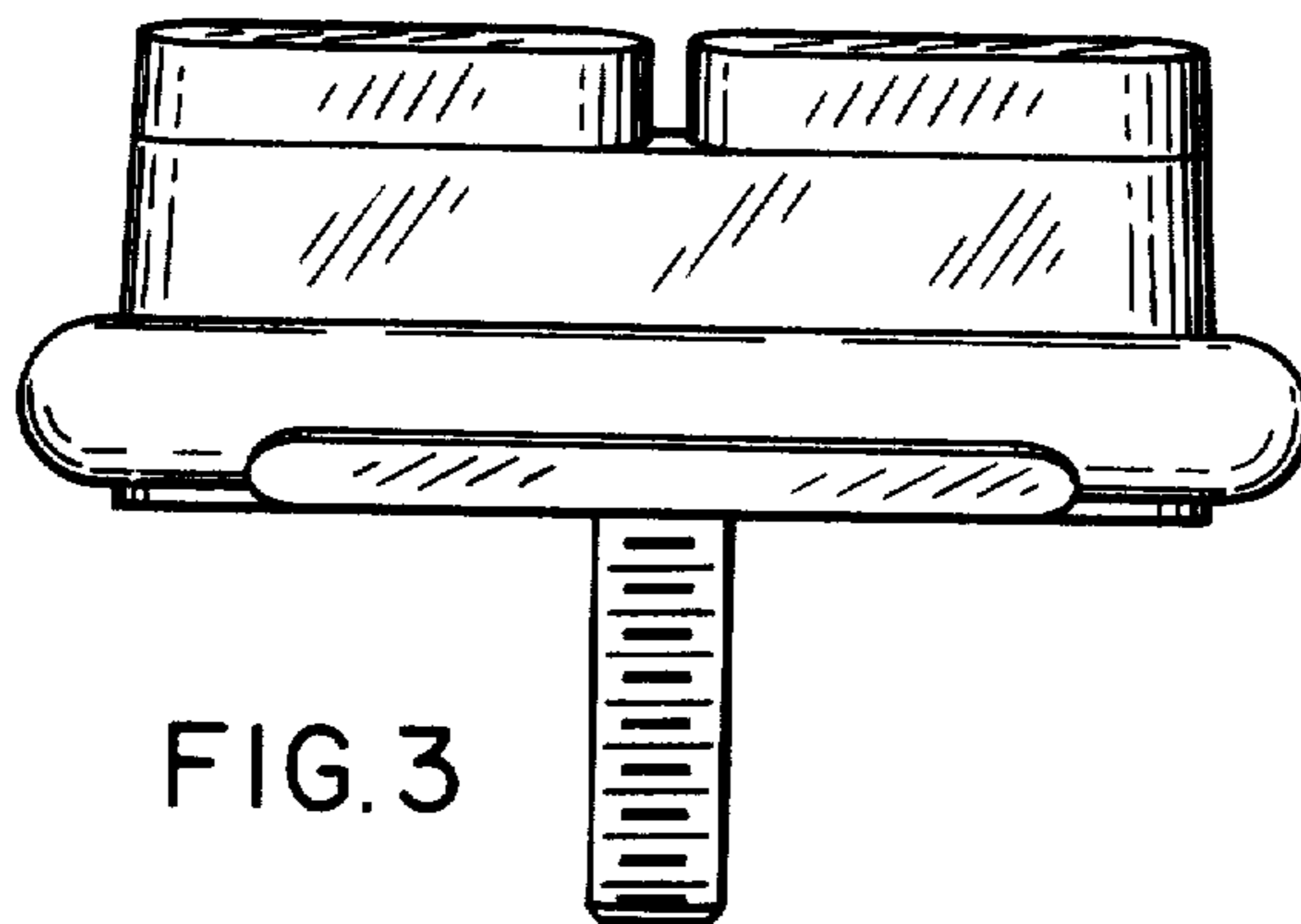


FIG. 3

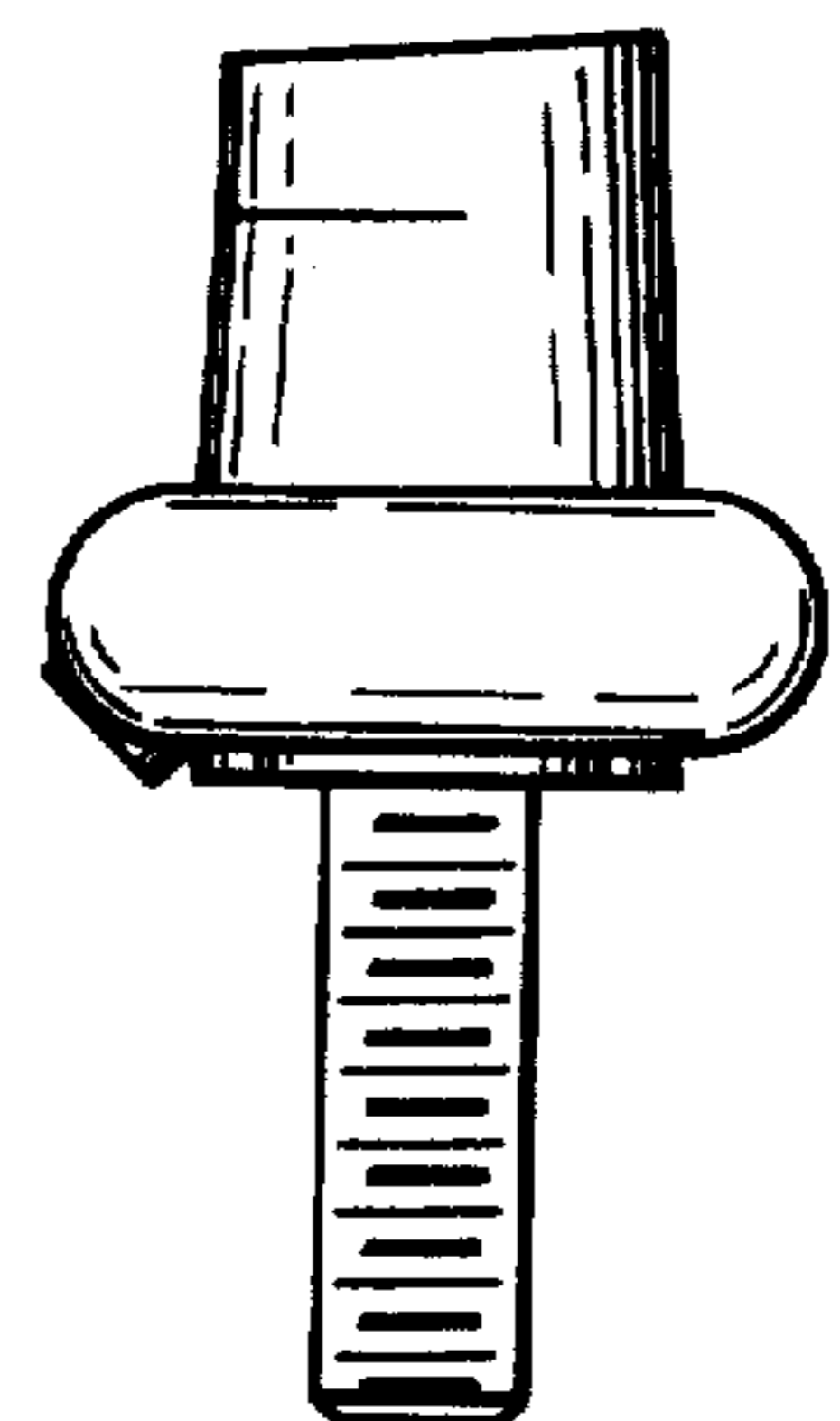


FIG. 6

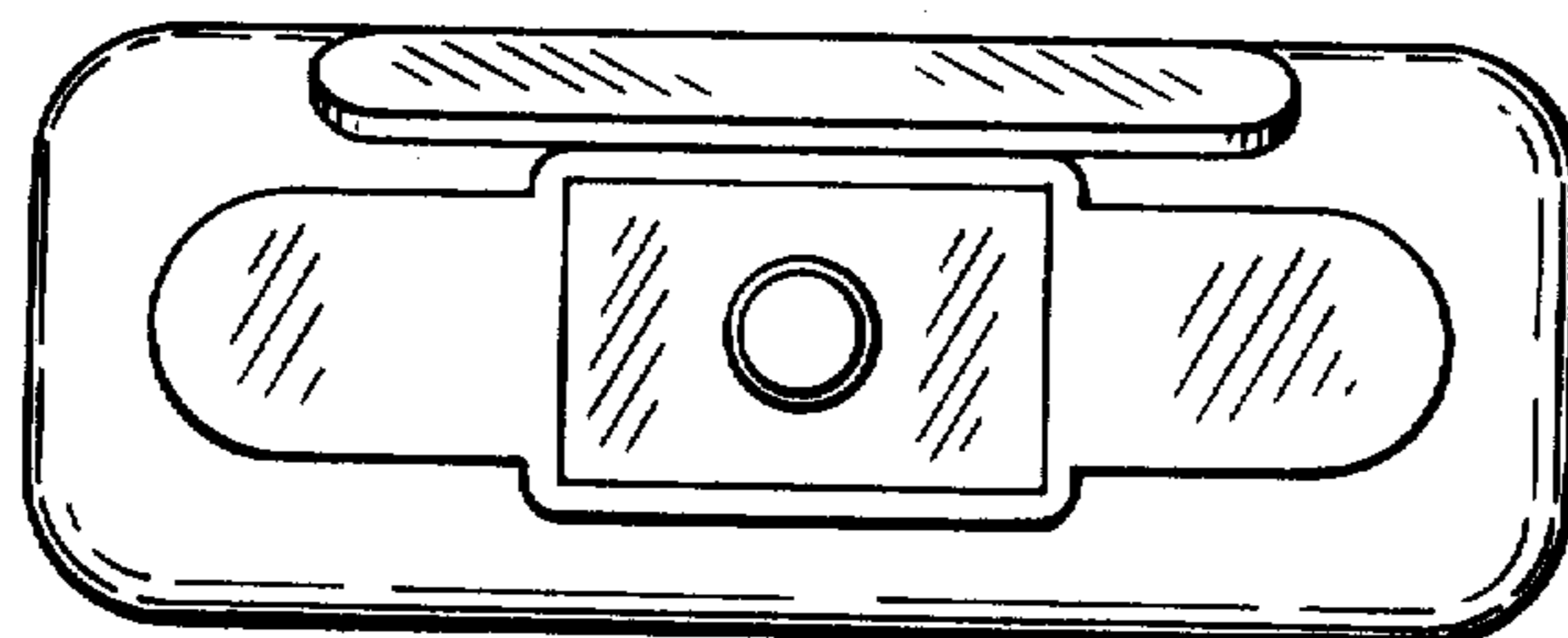


FIG. 7