

[54] **AUTOMOTIVE EMERGENCY LAMP**

[75] Inventors: **Oskar H. Emmerling**, Feldkirchen;
Horst Ehlebracht, Enger, both of
Fed. Rep. of Germany

[73] Assignee: **OSRAM GmbH**, Munich and Berlin,
Fed. Rep. of Germany

[**] Term: **14 Years**

[21] Appl. No.: **969,385**

[22] Filed: **Dec. 14, 1978**

[30] **Foreign Application Priority Data**

Aug. 25, 1978 [DE] Fed. Rep. of Germany 11429

[51] **Int. Cl.** **D10-06; D26-02**

[52] **U.S. Cl.** **D10/114; D26/37**

[58] **Field of Search** **D10/114; D26/28, 36,**
D26/37, 38, 39, 40, 41, 45, 46, 48; 340/321, 90;
362/61, 64, 258, 362, 375

[56] **References Cited**

U.S. PATENT DOCUMENTS

2,684,476 7/1954 Trempe 340/90
2,987,702 6/1961 Yohe D10/114 X

Primary Examiner—Susan J. Lucas
Attorney, Agent, or Firm—Frishauf, Holtz, Goodman &
Woodward

[57] **CLAIM**

The ornamental design for an automotive emergency lamp, as shown and described.

DESCRIPTION

FIG. 1 is a front perspective view of the automotive emergency lamp showing the new design, the lamp case being in an open condition;

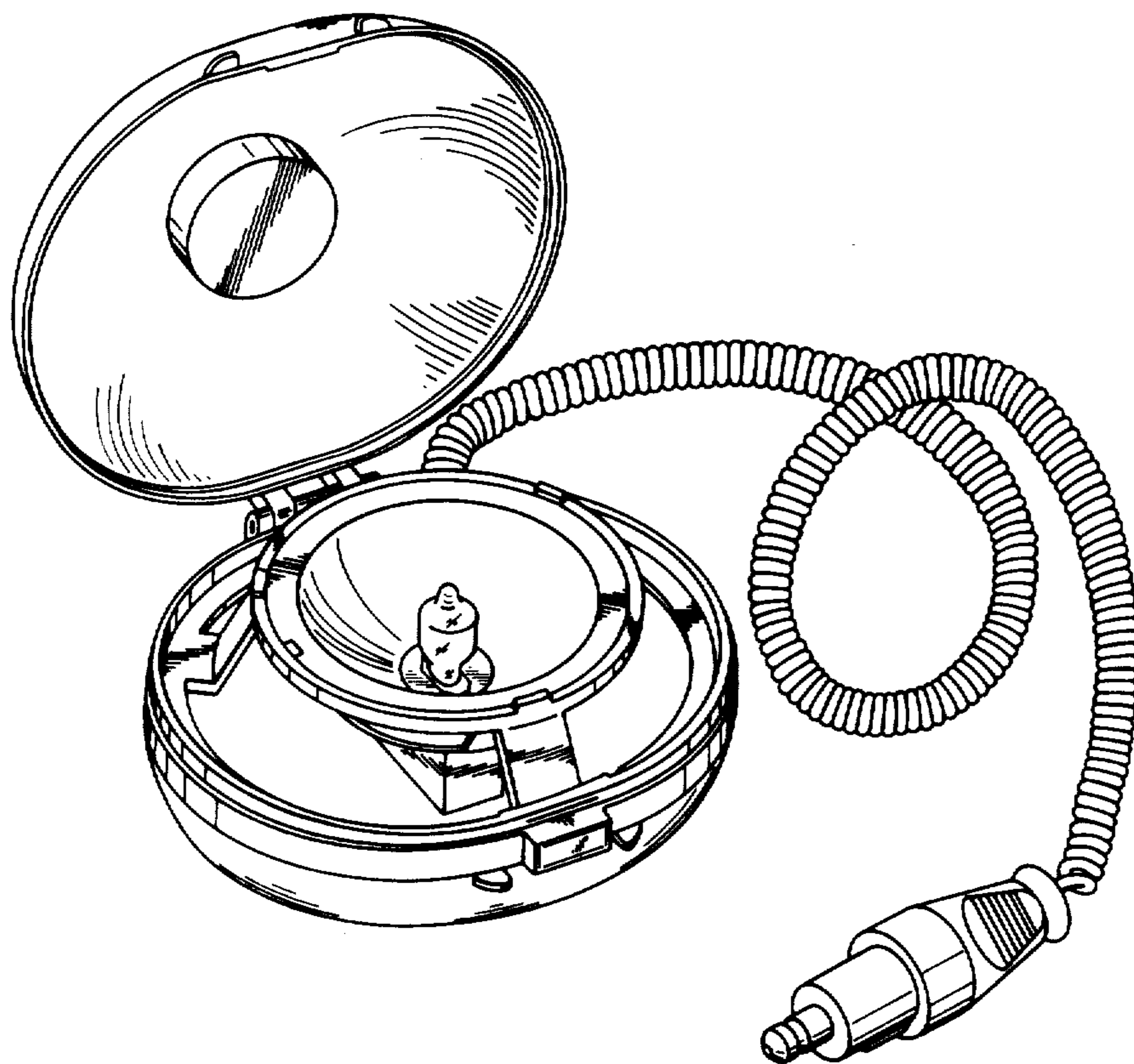
FIGS. 2 and 3 are, respectively, front and top views thereof, the cord being fragmentarily shown for convenience of illustration;

FIGS. 4, 5 and 6 are, respectively, side rear and bottom views thereof, the cord being fragmentarily shown for convenience of illustration;

FIG. 7 is a perspective view of the automotive emergency lamp of our design with the case in closed condition, and the cord being fragmentarily shown for convenience of illustration;

FIGS. 8, 9 and 10 are, respectively, top, front and side views thereof; and

FIGS. 11 and 12 are, respectively, rear and bottom views thereof.



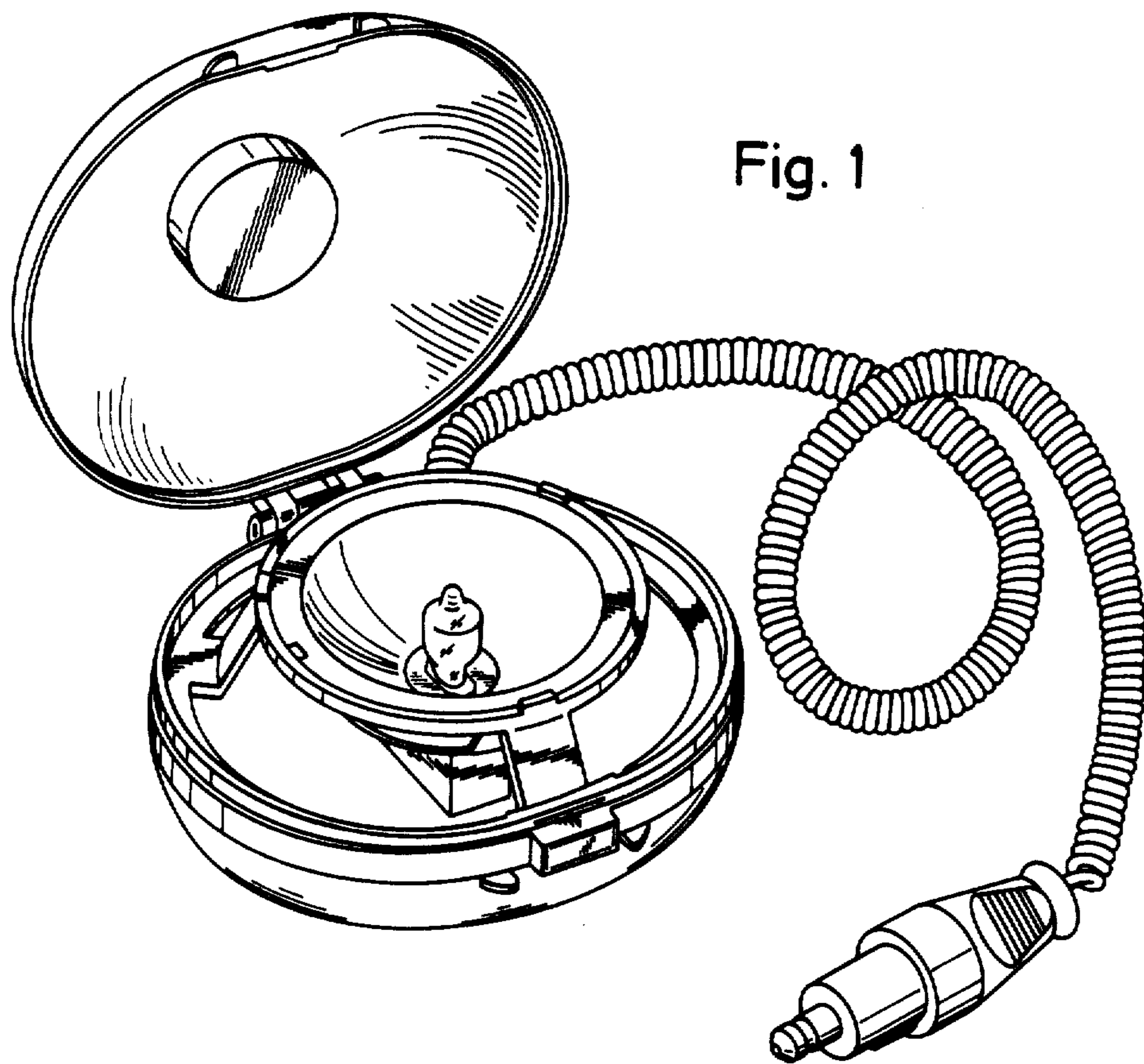


Fig. 1

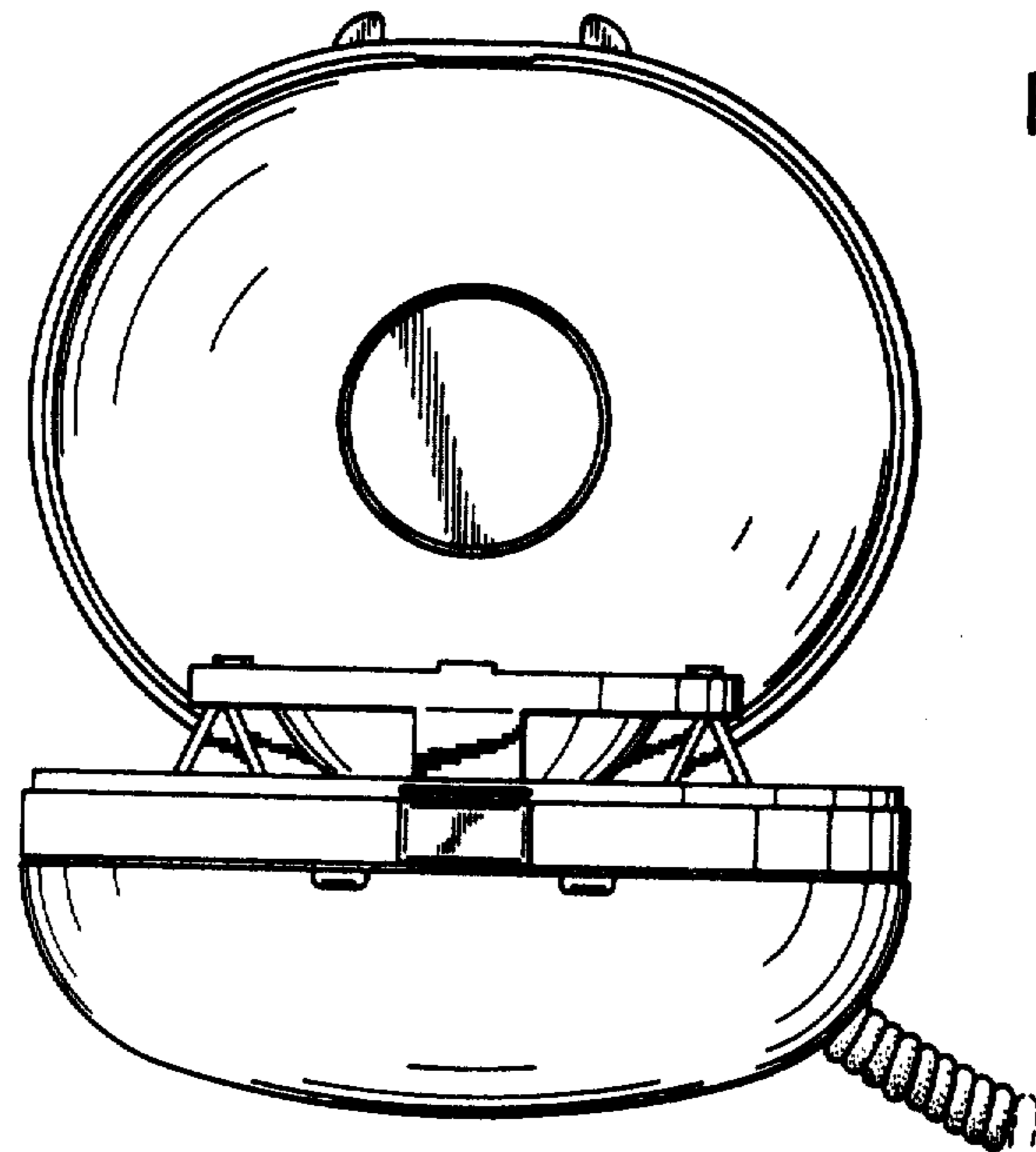


Fig. 3

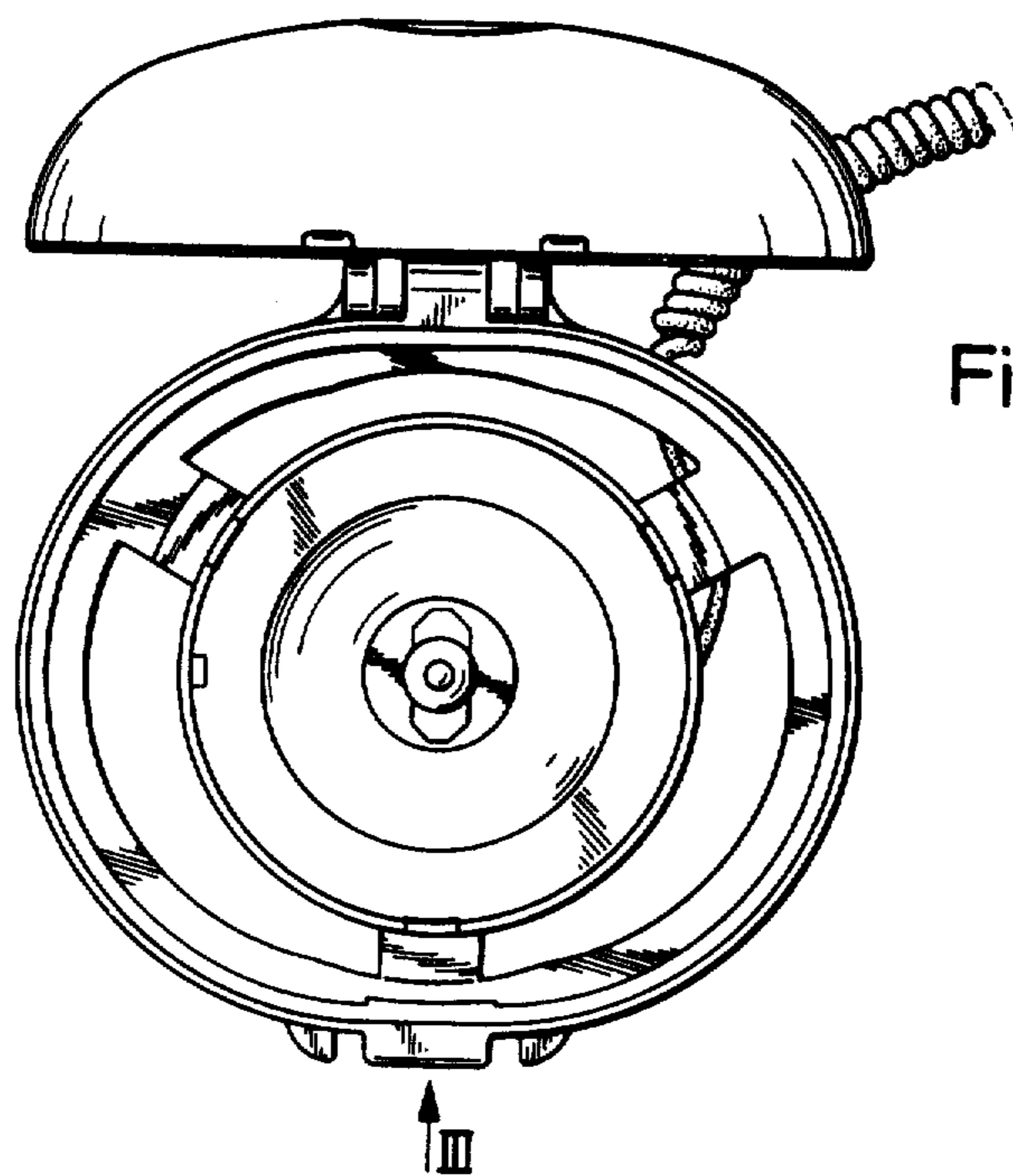


Fig. 2

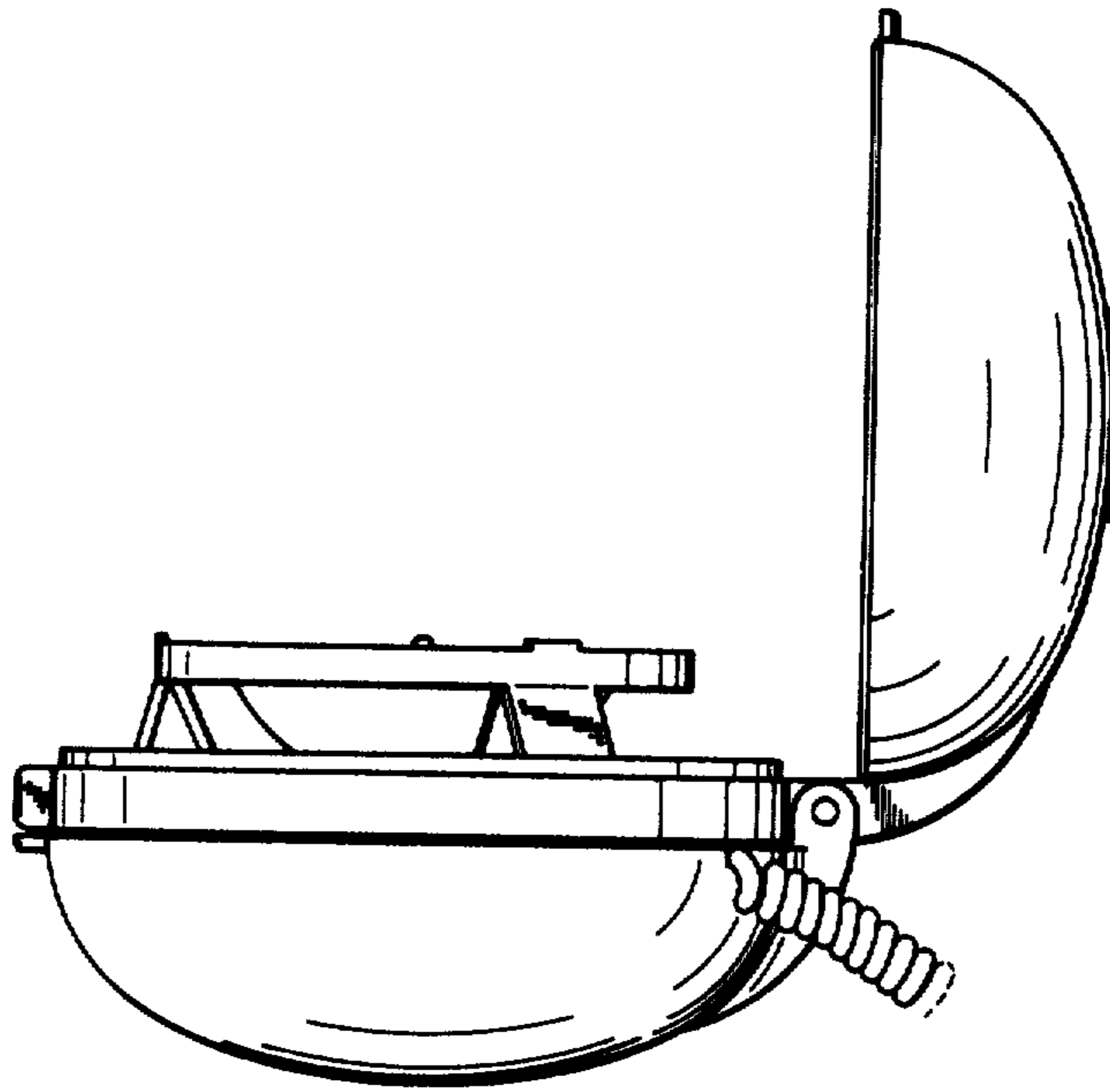


Fig. 4

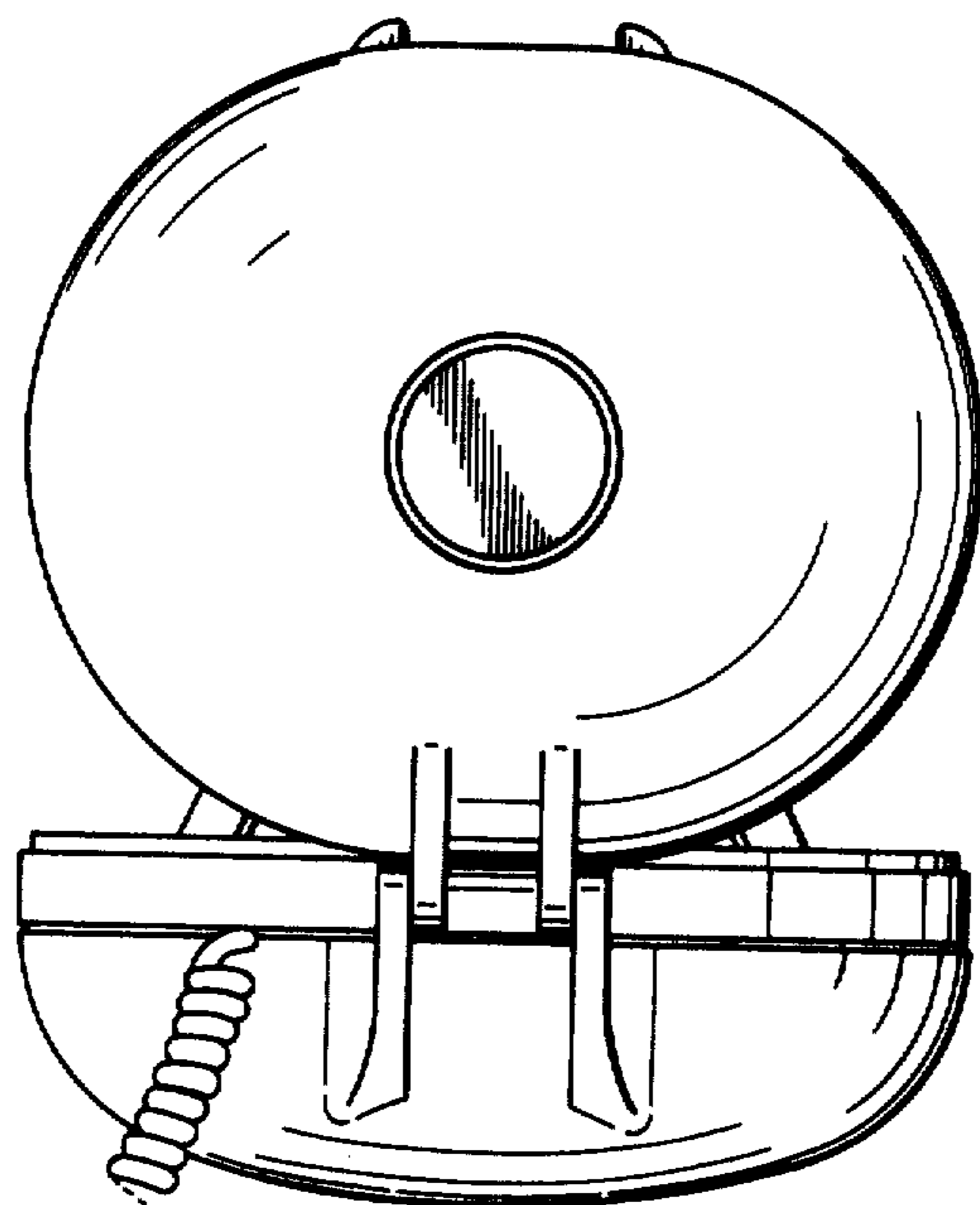


Fig. 5

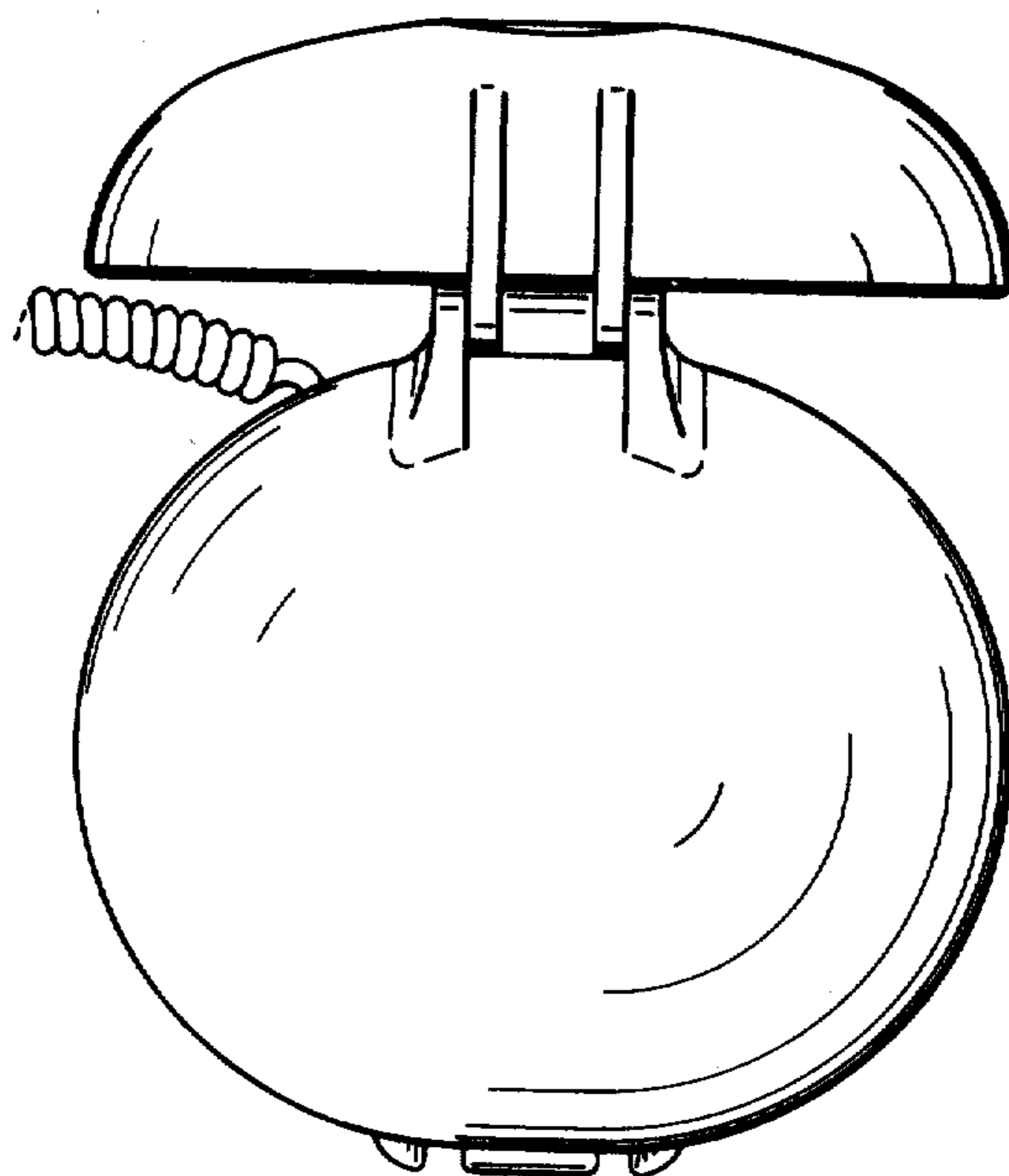


Fig. 6

Fig. 10

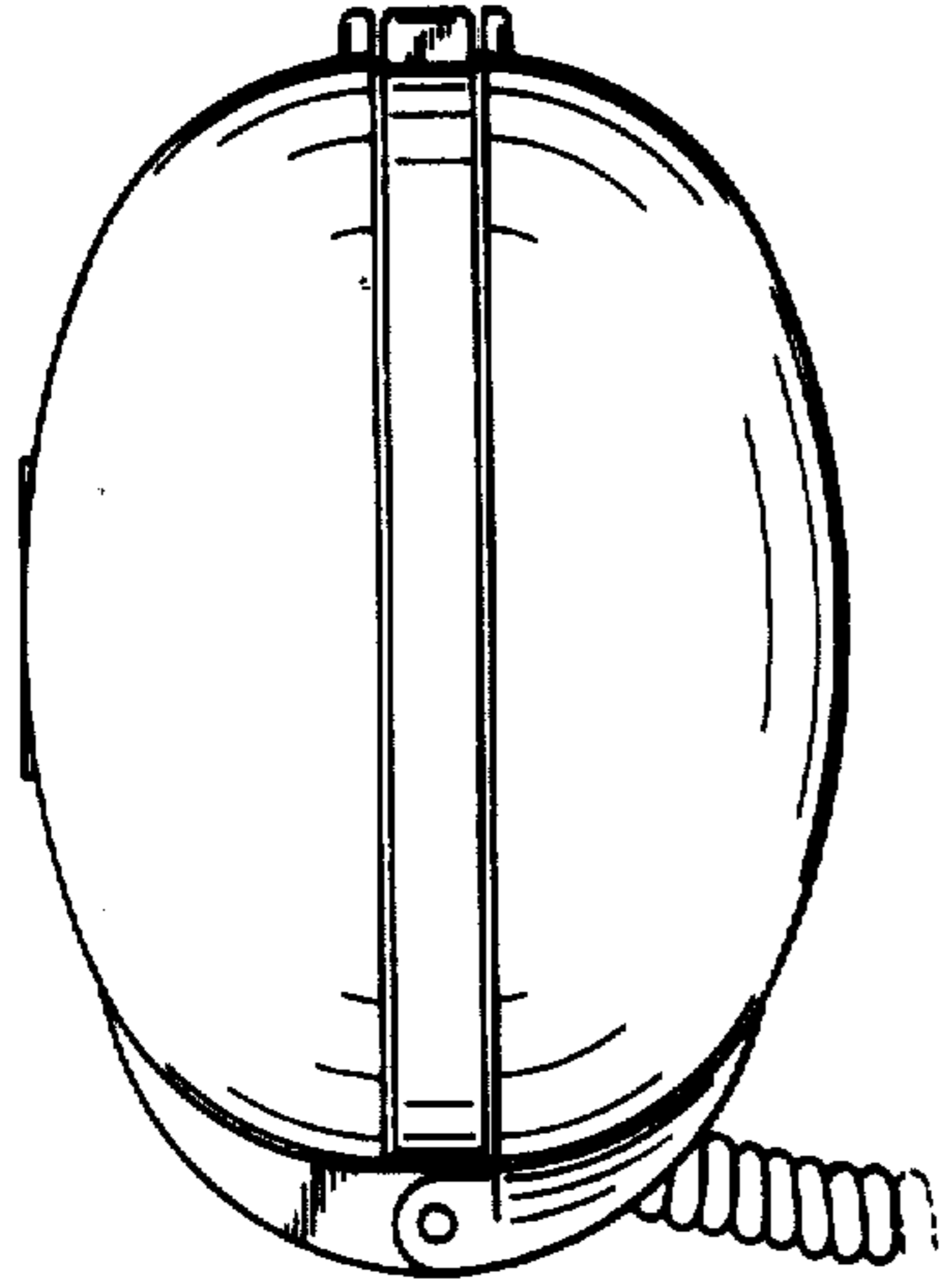


Fig. 7

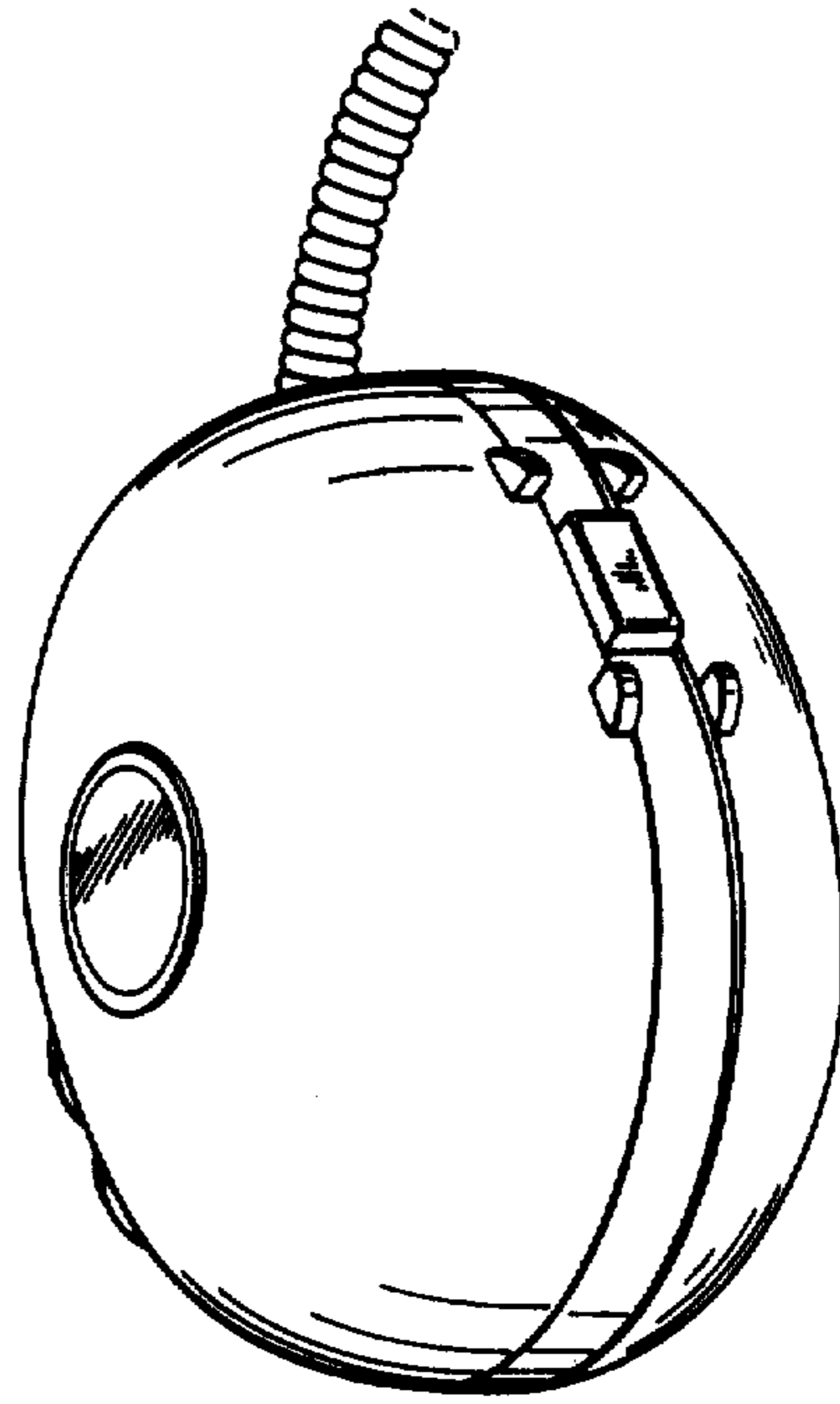


Fig. 9

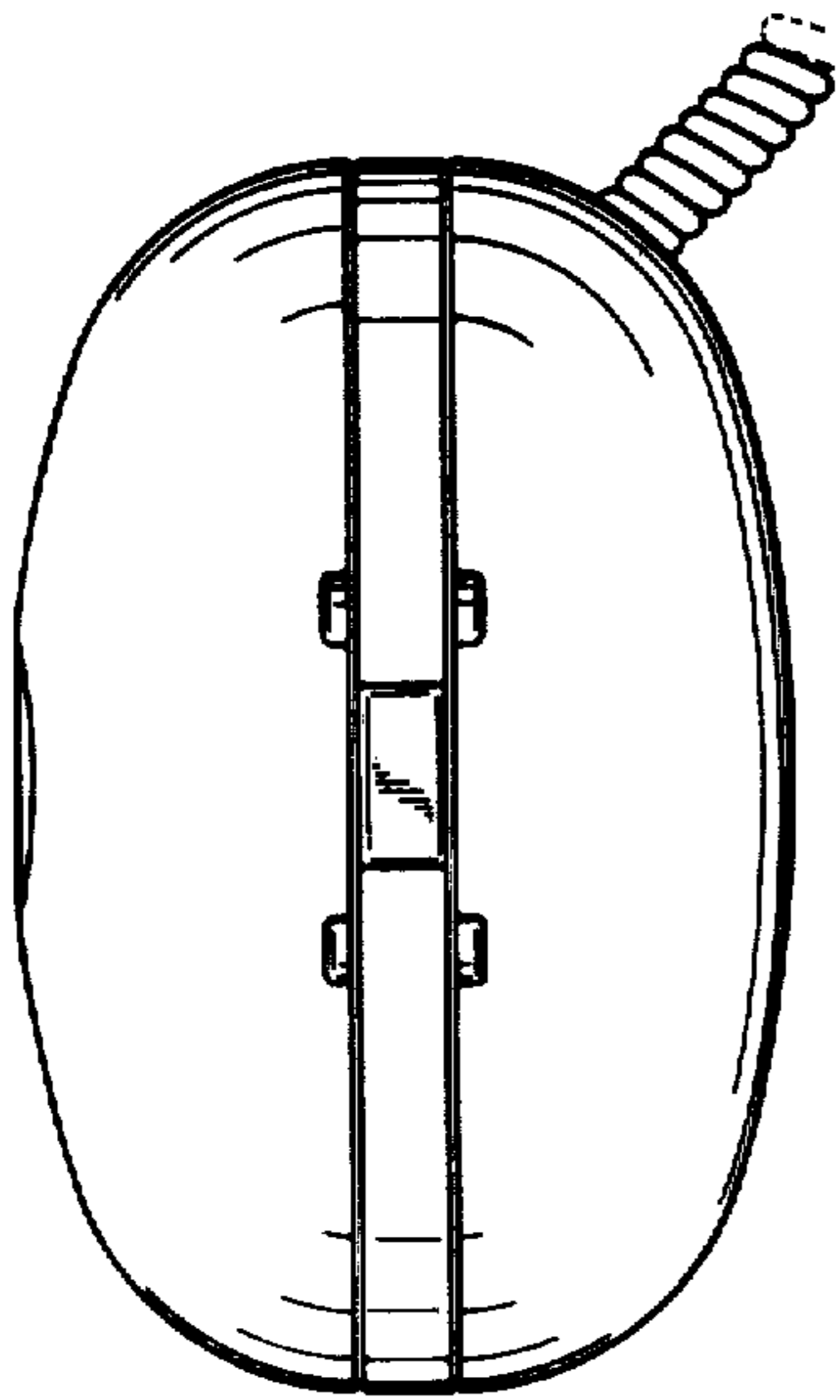
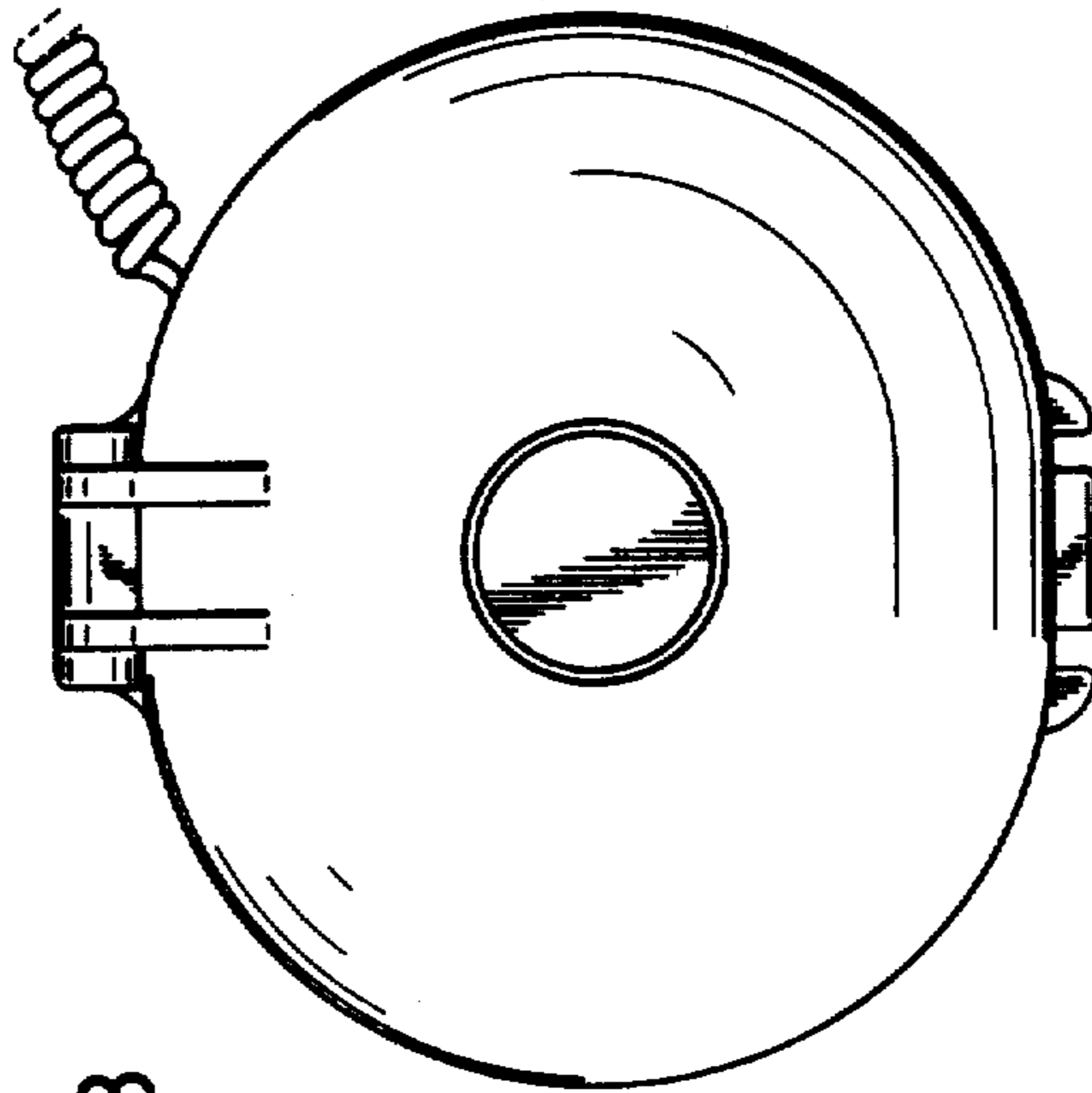


Fig. 8



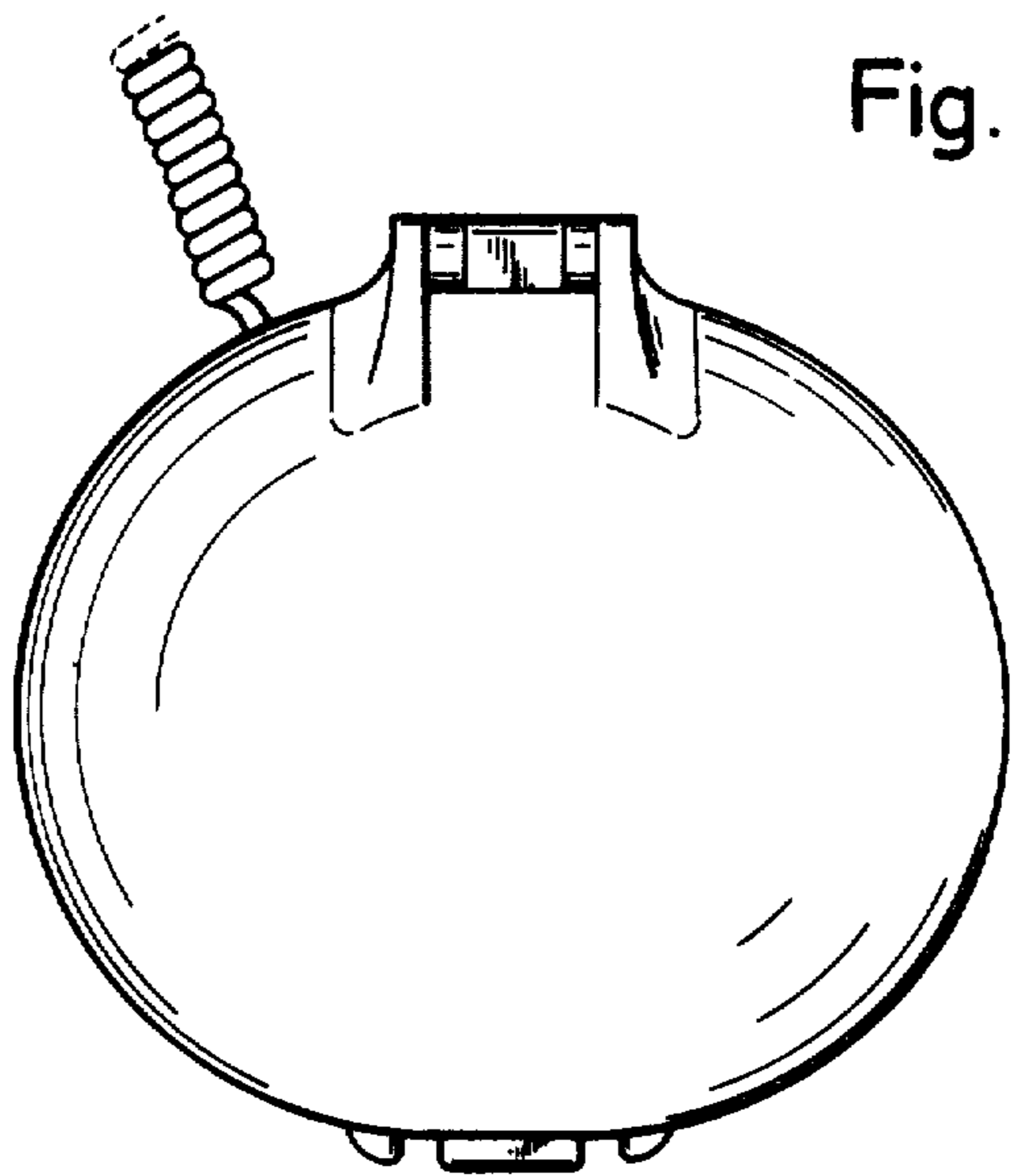


Fig. 12

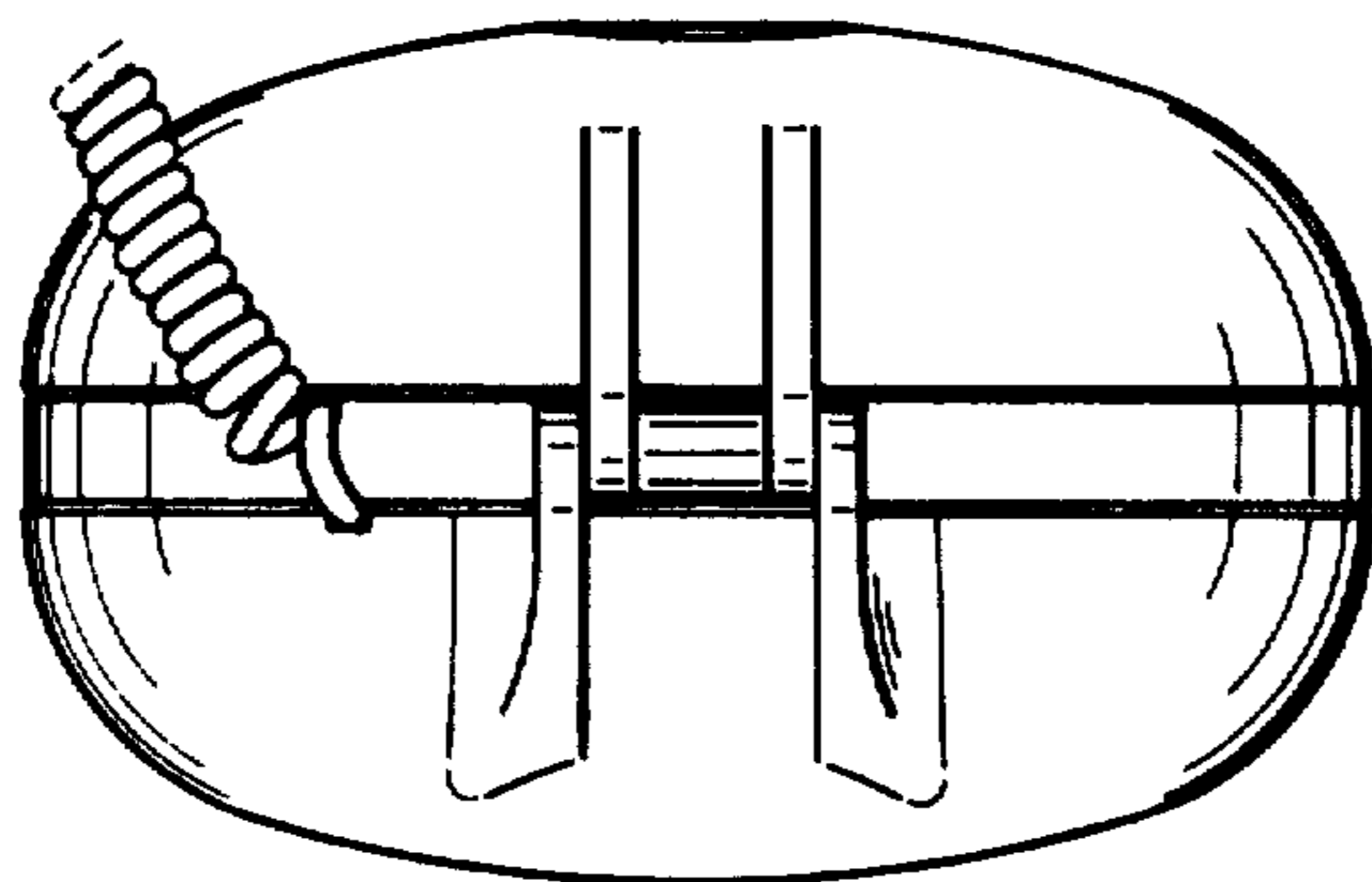


Fig. 11