

[54] ICE SCRAPER

[75] Inventor: **Randall T. Schnarr**, Toronto, Canada

[73] Assignee: **American Home Products Corporation**, New York, N.Y.

[**] Term: **14 Years**

[21] Appl. No.: **71,250**

[22] Filed: **Aug. 30, 1979**

[30] **Foreign Application Priority Data**

Mar. 15, 1979 [CA] Canada 1503799

[51] Int. Cl. **D7-05**

[52] U.S. Cl. **D32/49**

[58] Field of Search **D7/181-185;**
15/236 R; 30/169

[56] **References Cited**

U.S. PATENT DOCUMENTS

D. 219,303 11/1970 Golden D7/184

D. 241,498 9/1976 Smith D7/184

Primary Examiner—Catherine E. Kemper
Attorney, Agent, or Firm—Robert D. Teichert

[57] **CLAIM**

The ornamental design for an ice scraper, as shown and described.

DESCRIPTION

FIG. 1 is a top plan view of an ice scraper showing my new design.

FIG. 2 is a side elevational view thereof from below FIG. 1.

FIG. 3 is a section taken along line 3—3 of FIG. 1.

FIG. 4 is a section taken along line 4—4 of FIG. 1.

FIG. 5 is a section taken along line 5—5 of FIG. 1.

FIG. 6 is a side elevational view from above FIG. 1.

FIG. 7 is a bottom plan view of the ice scraper of FIG. 1.

FIG. 8 is an end elevational view from the right of FIG. 1.

FIG. 9 is an end elevational view from the left of FIG. 1.

FIG. 10 is a perspective view of the ice scraper.

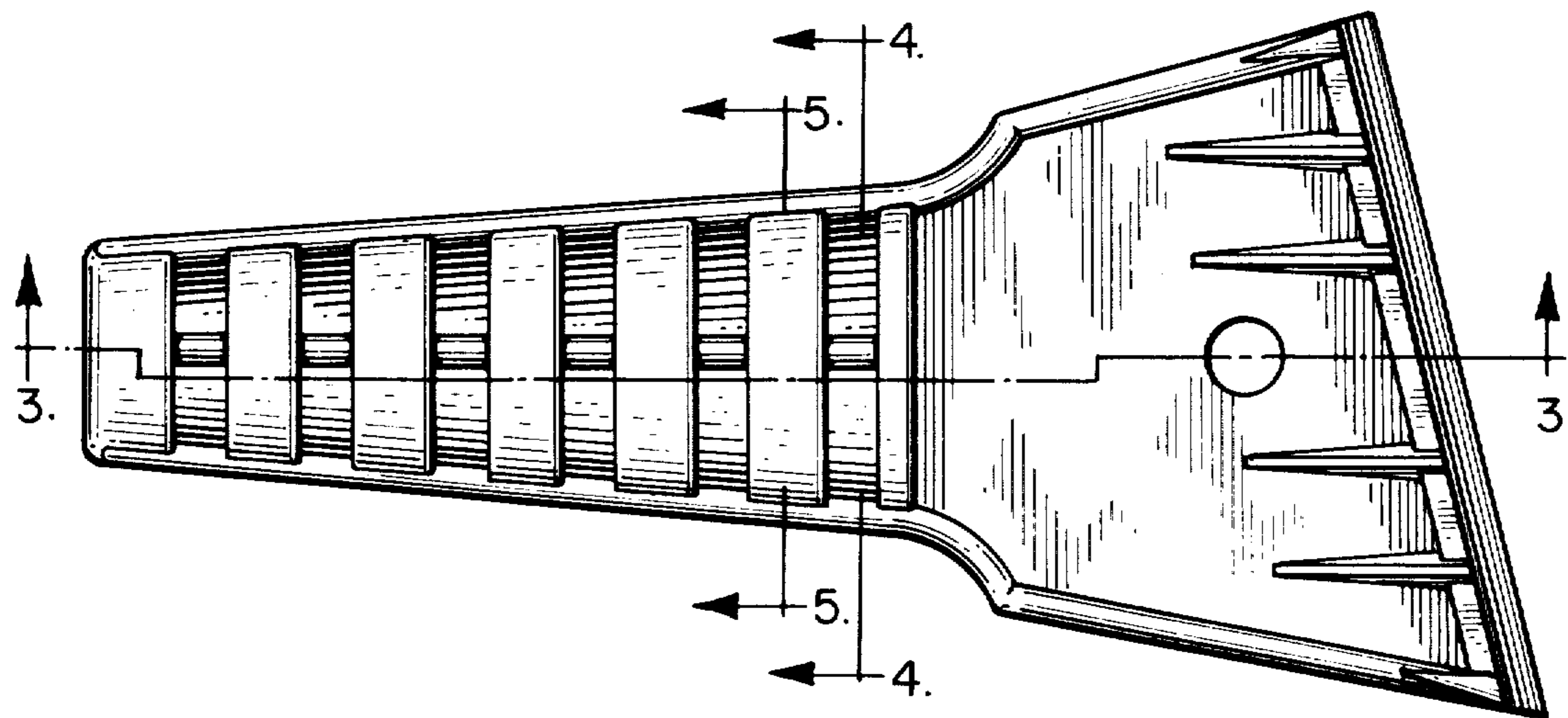


FIG. 1

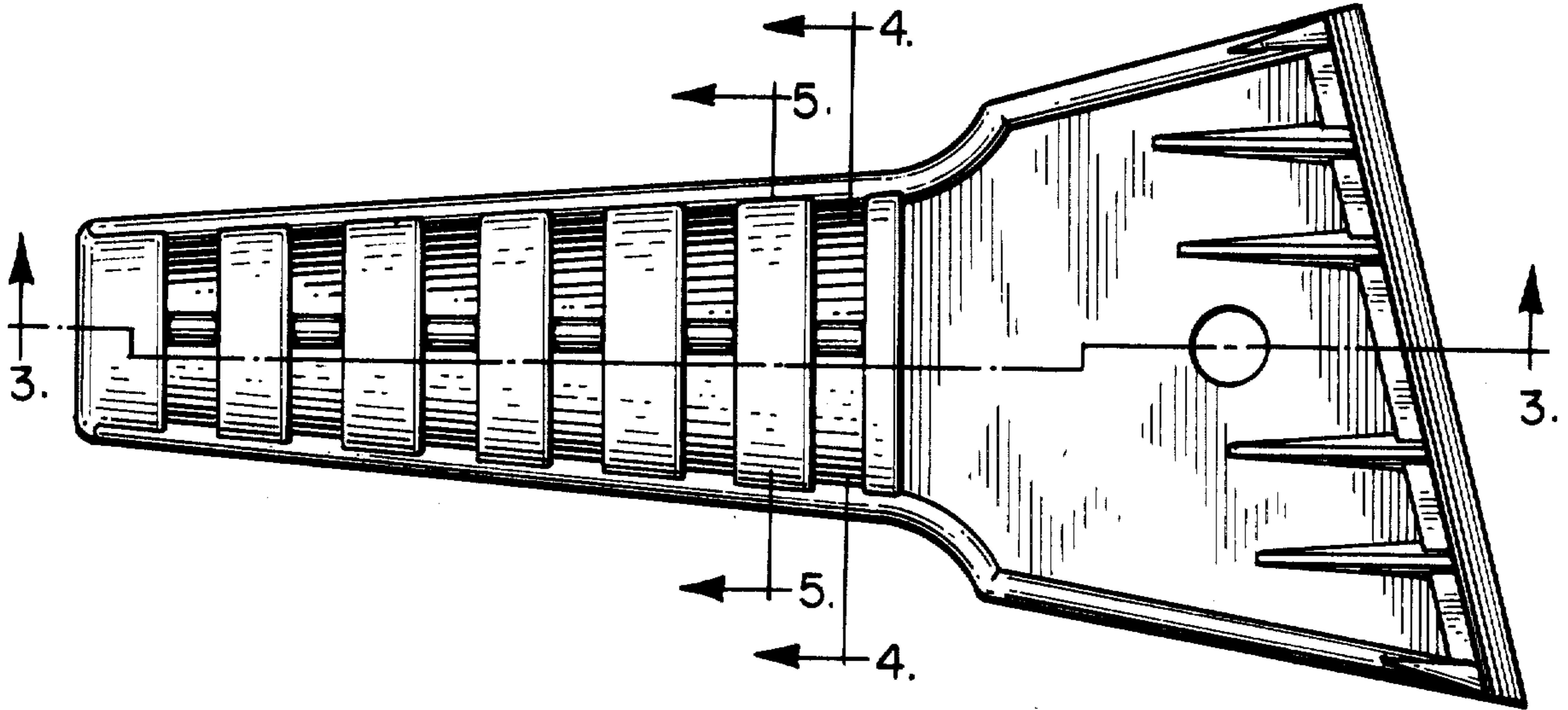


FIG. 2

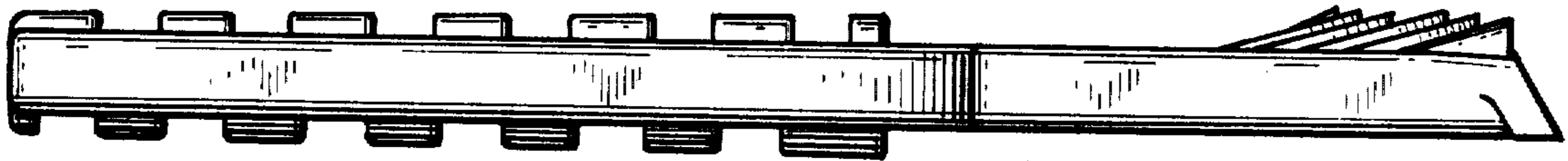


FIG. 3

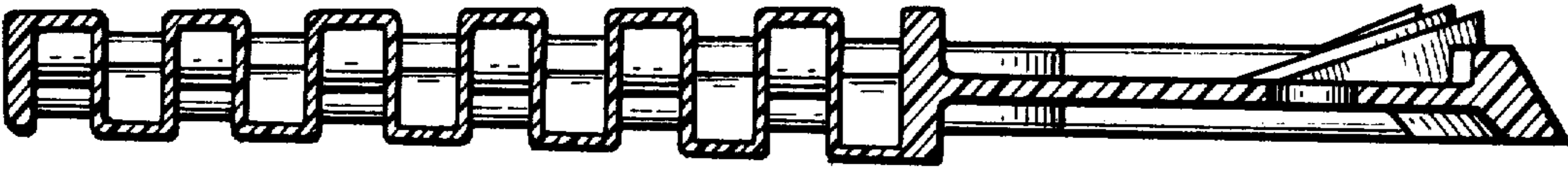


FIG. 4

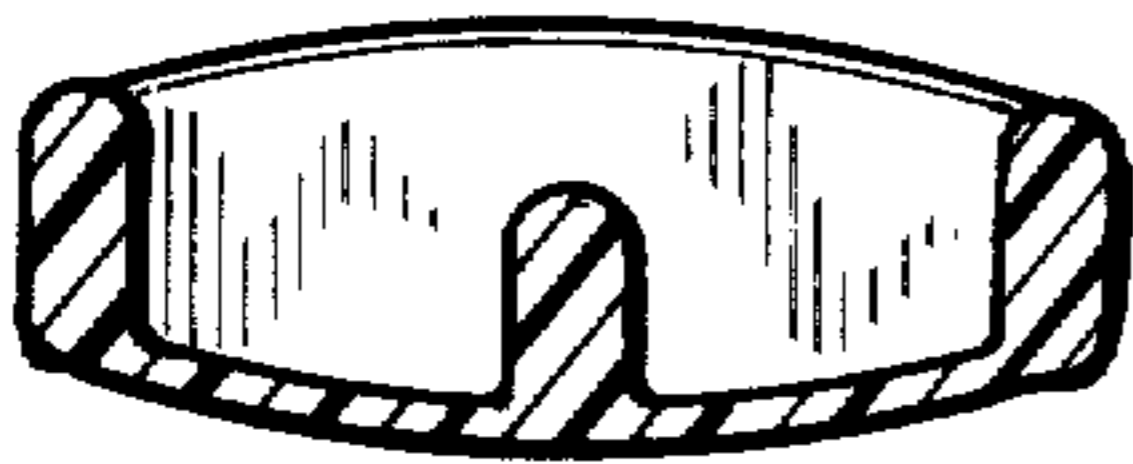


FIG. 5

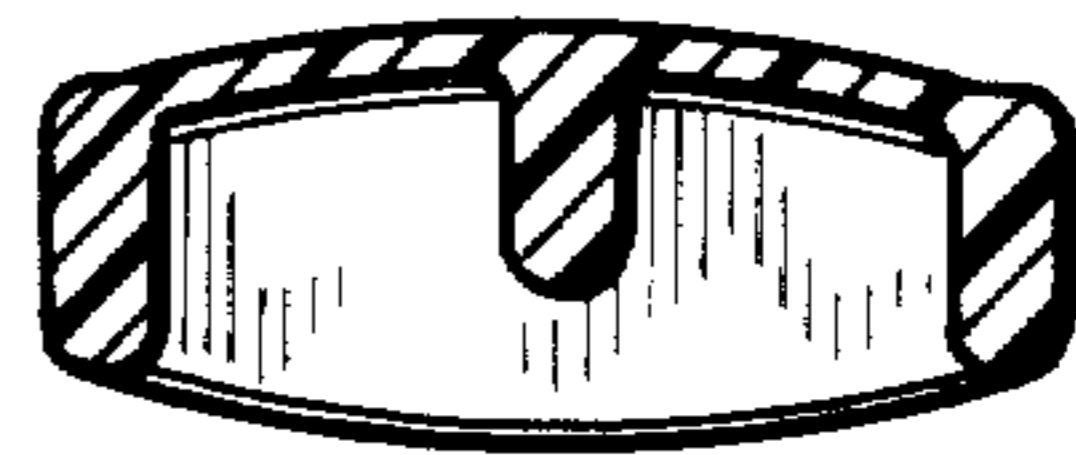


FIG. 6

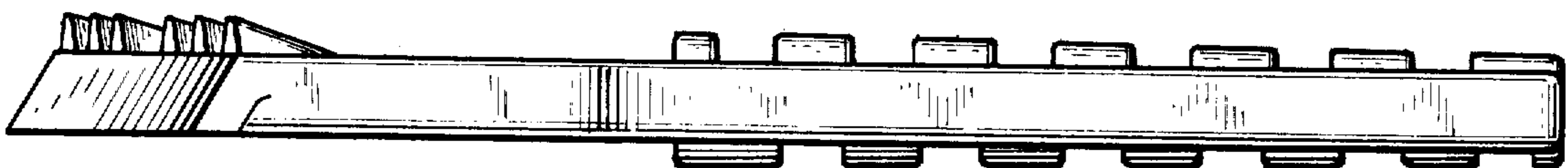


FIG. 7

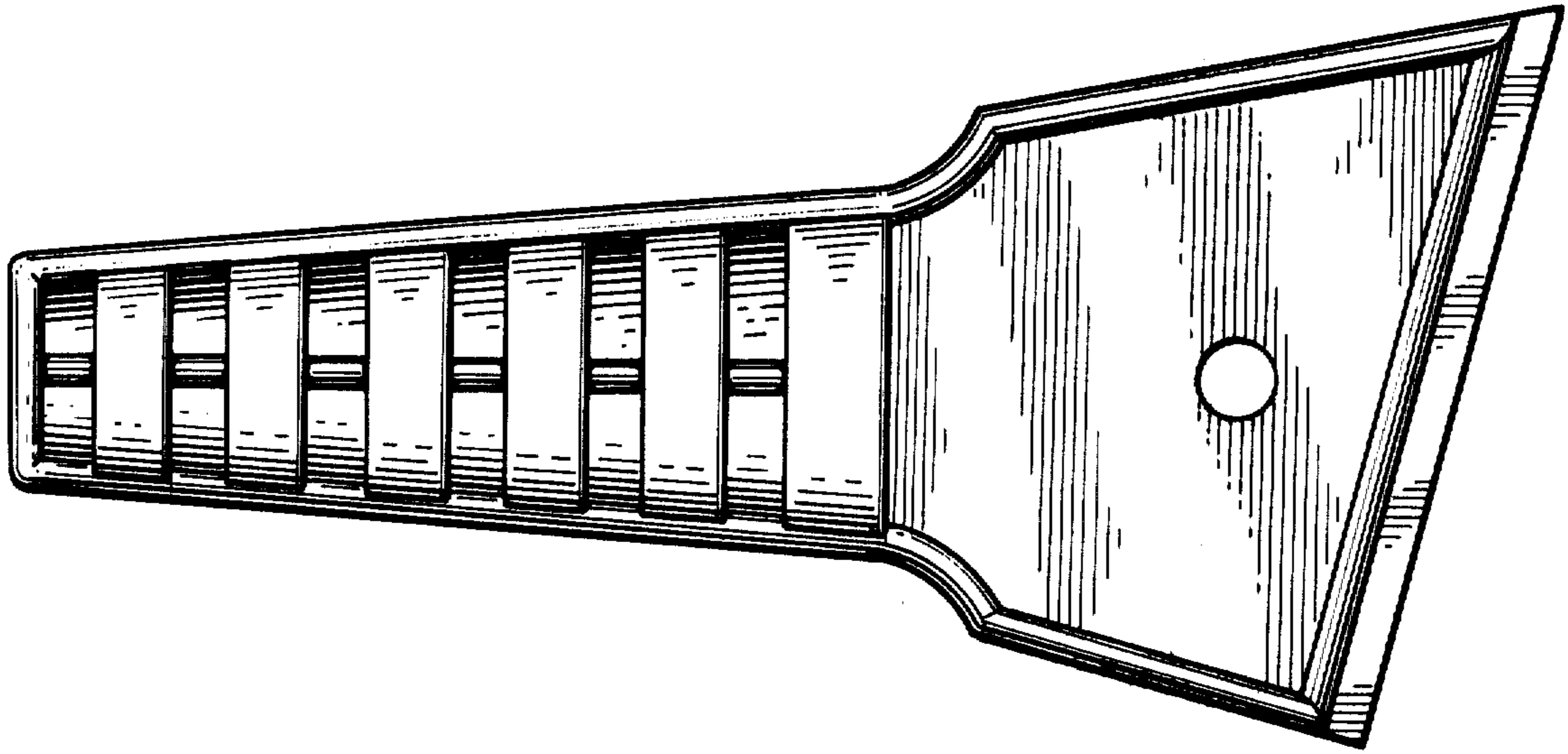


FIG. 8

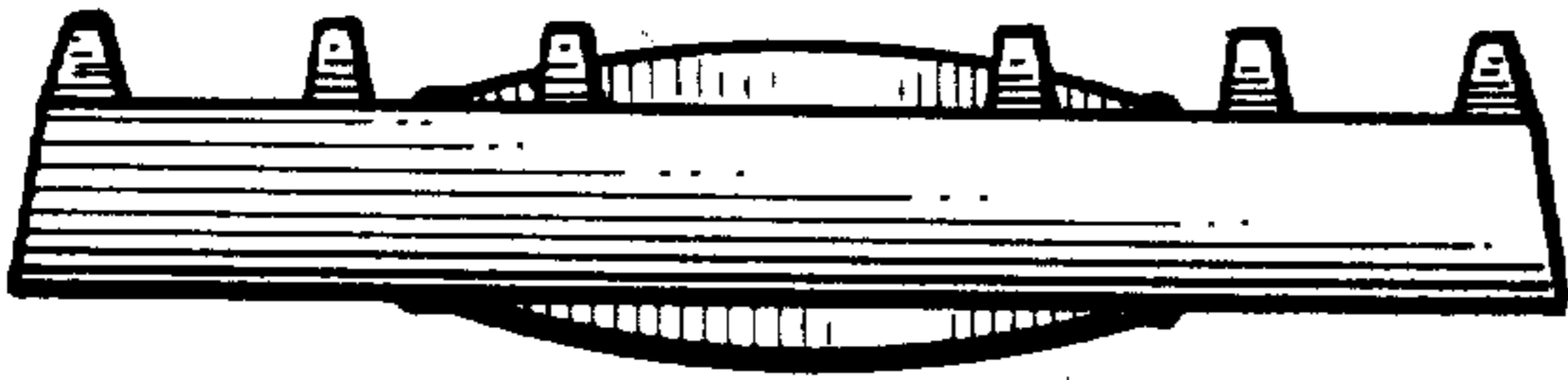


FIG. 9

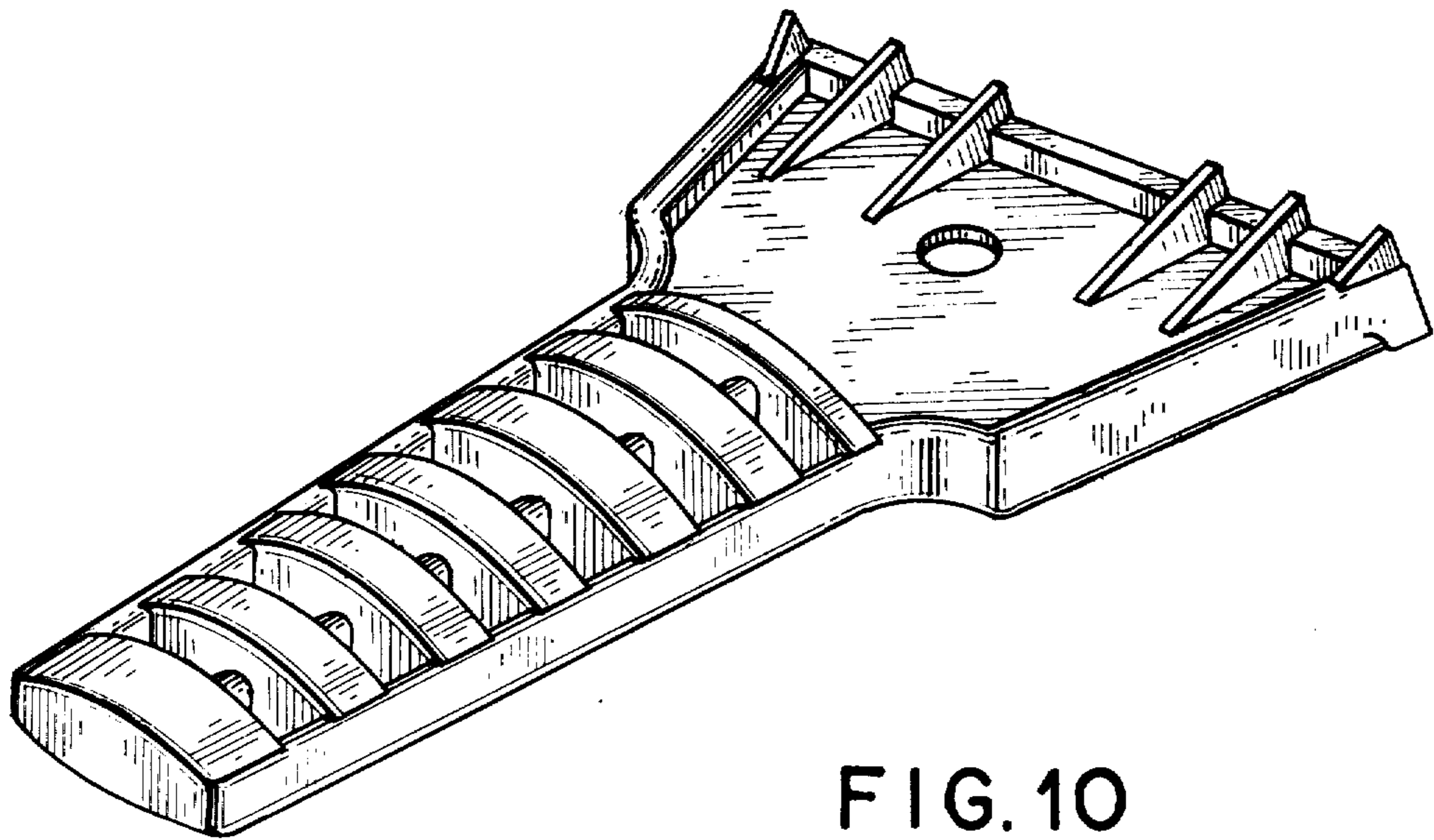
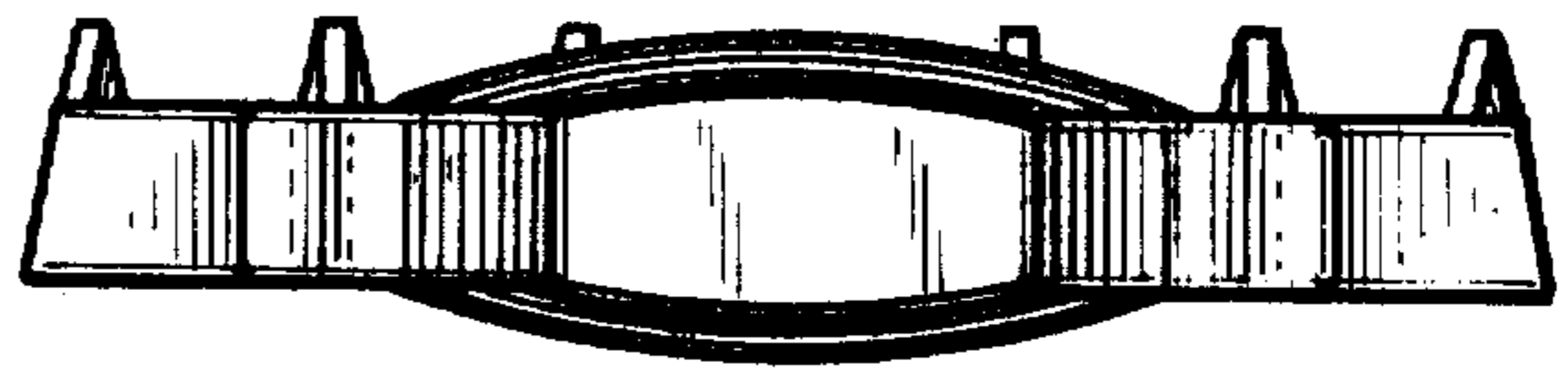


FIG. 10