

[54] TEA KETTLE OR SIMILAR ARTICLE

[75] Inventor: Joy C. Urich, New York, N.Y.

[73] Assignee: M. Kamenstein, Inc., White Plains, N.Y.

[**] Term: 14 Years

[21] Appl. No.: 965,658

[22] Filed: Dec. 1, 1978

[51] Int. Cl. D07-01

[52] U.S. Cl. D7/60

[58] Field of Search D7/59-67,
D7/3

[56] References Cited

U.S. PATENT DOCUMENTS

D. 51,144	8/1917	Luttringhaus	D7/66
D. 56,555	11/1920	Farr	D7/66
D. 59,191	10/1921	Church	D7/66
D. 78,525	5/1929	Lindley	D7/66
D. 109,642	5/1938	Morgan	D7/60

OTHER PUBLICATIONS

Industrial Design, 3-1971, p. 43, Kettles shown in Panel #14 at right, Steel Kitchenware by Opa Oy.

Primary Examiner—Winifred E. Herrmann
Attorney, Agent, or Firm—Allison C. Collard; Thomas M. Galgano

[57] CLAIM

The ornamental design for a tea kettle or similar article, substantially as shown.

DESCRIPTION

FIG. 1 is a front and top perspective view of the tea kettle or similar article showing my new design, with its cover removed and spaced therefrom;

FIG. 2 is a right-side elevational view of FIG. 1, with its cover in place and its handle in a horizontal position;

FIG. 3 is a left-side elevational view of FIG. 1, with its cover placed adjacent to the front side thereof;

FIG. 4 is a rear-elevational view of FIG. 1, with its cover in place;

FIG. 5 is a front elevational view of FIG. 1, with its cover in place and with its handle in a horizontal position;

FIG. 6 is a top plan view of FIG. 1, with its cover in place; and

FIG. 7 is a bottom plan view of FIG. 6.

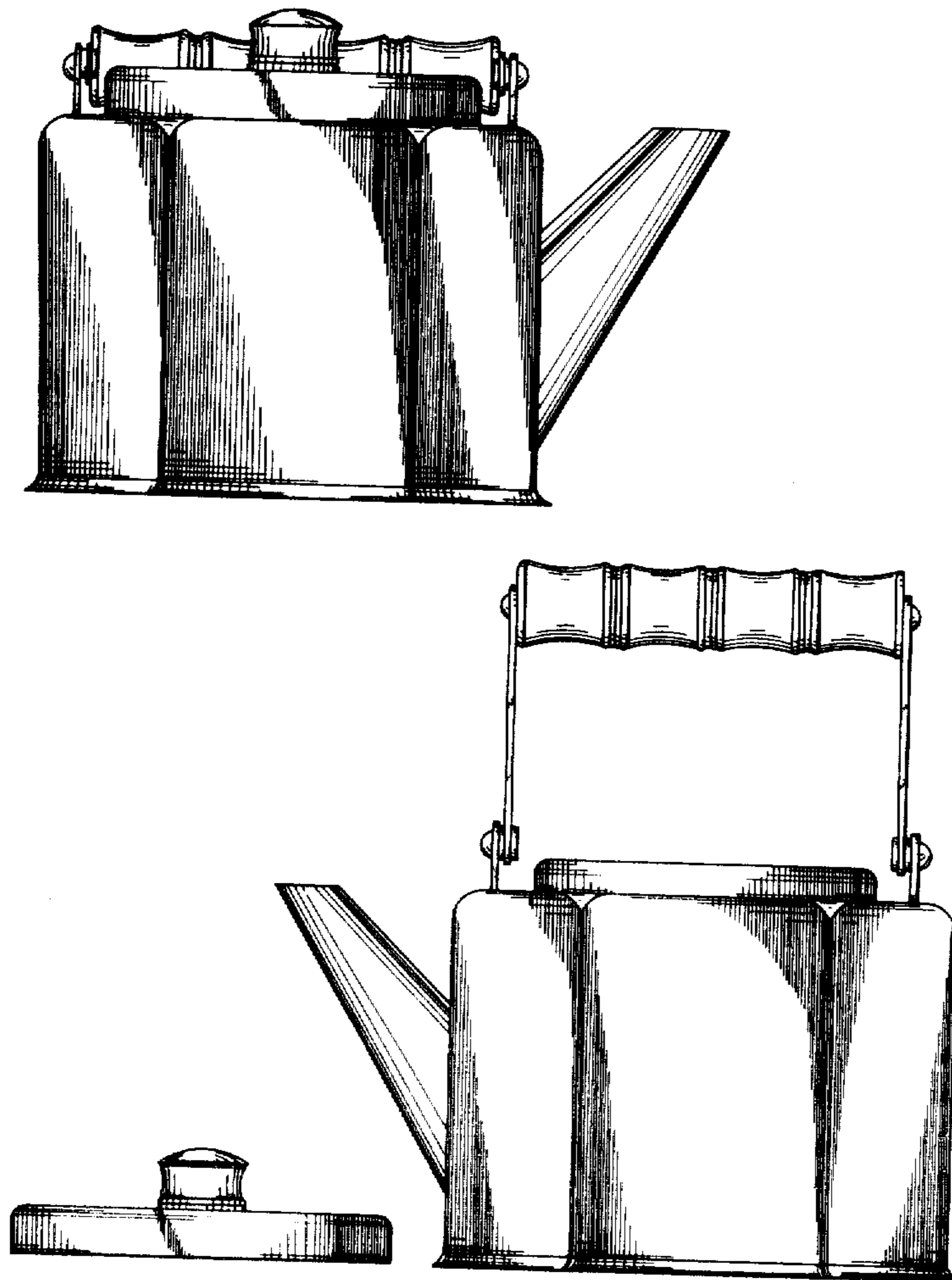
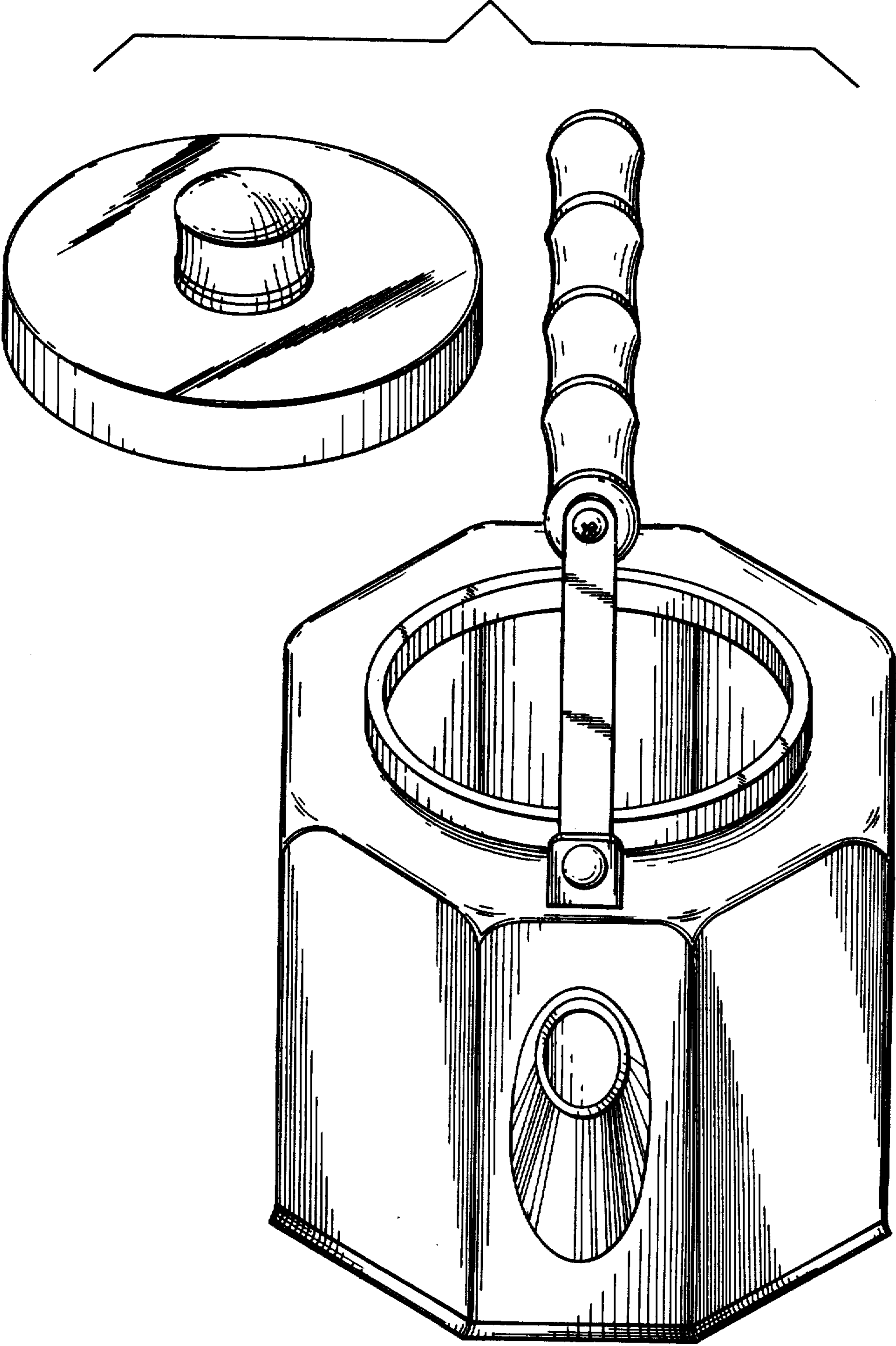


FIG. 1



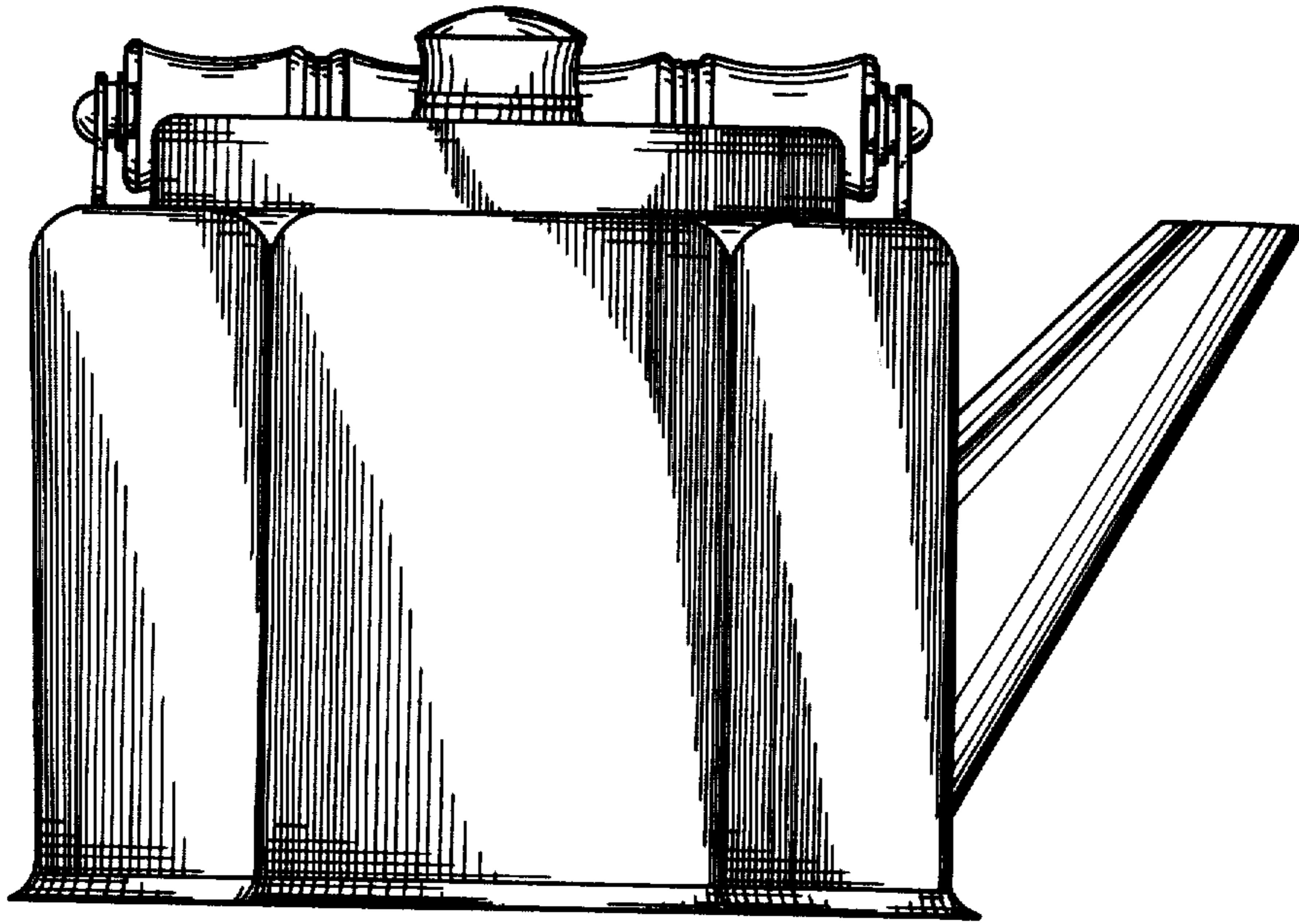


FIG. 2

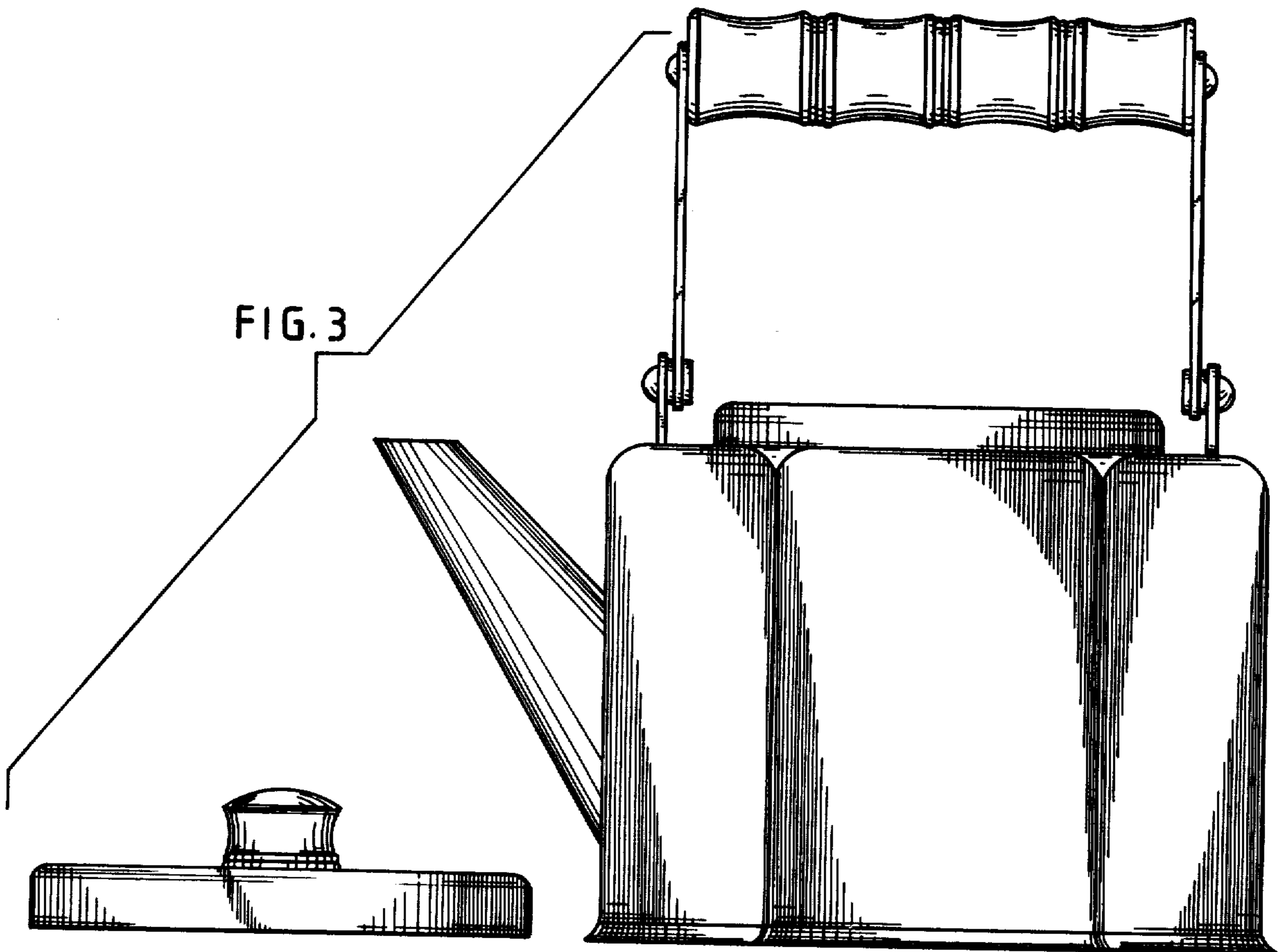


FIG. 3

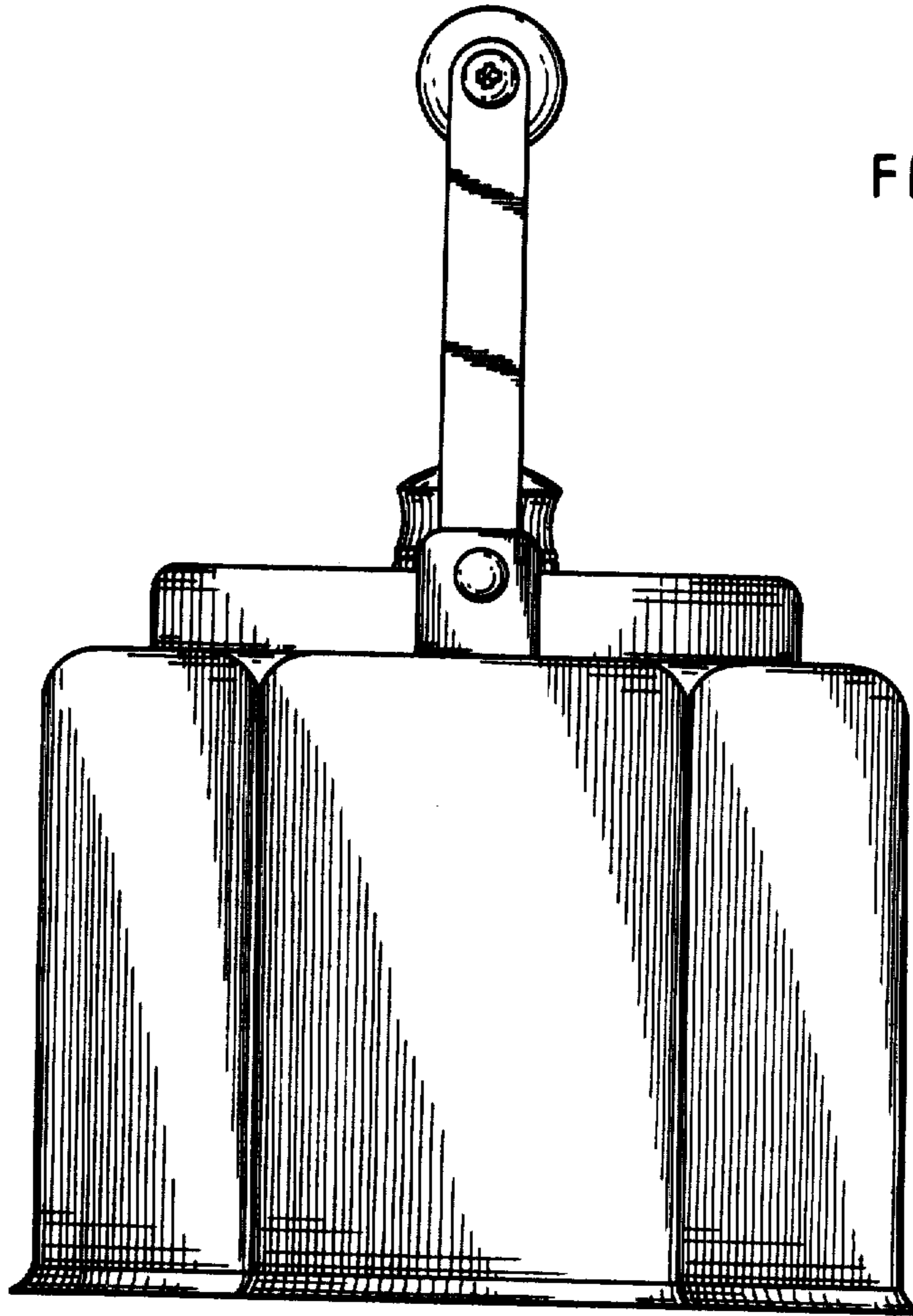


FIG. 4

FIG. 5

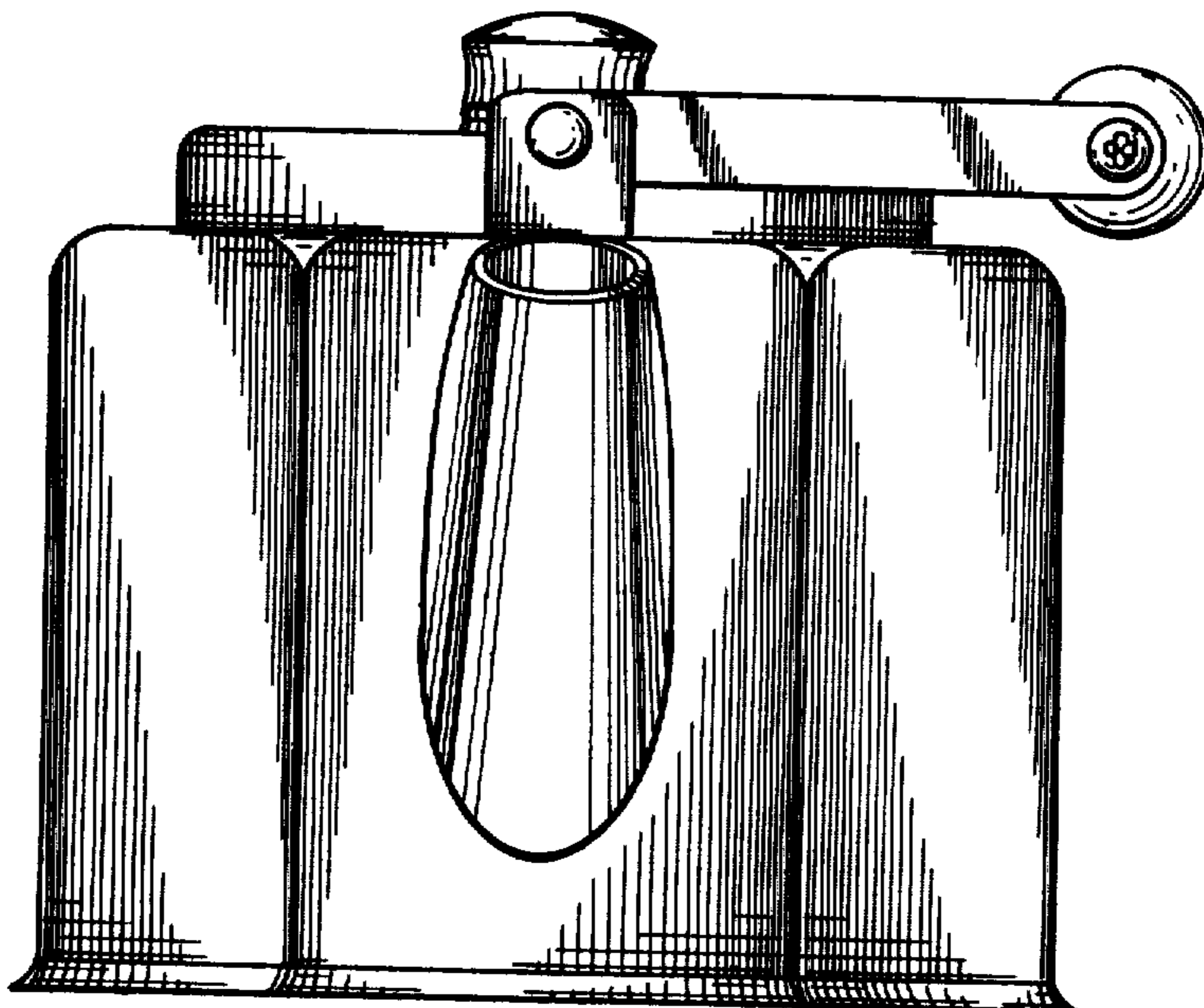


FIG. 6

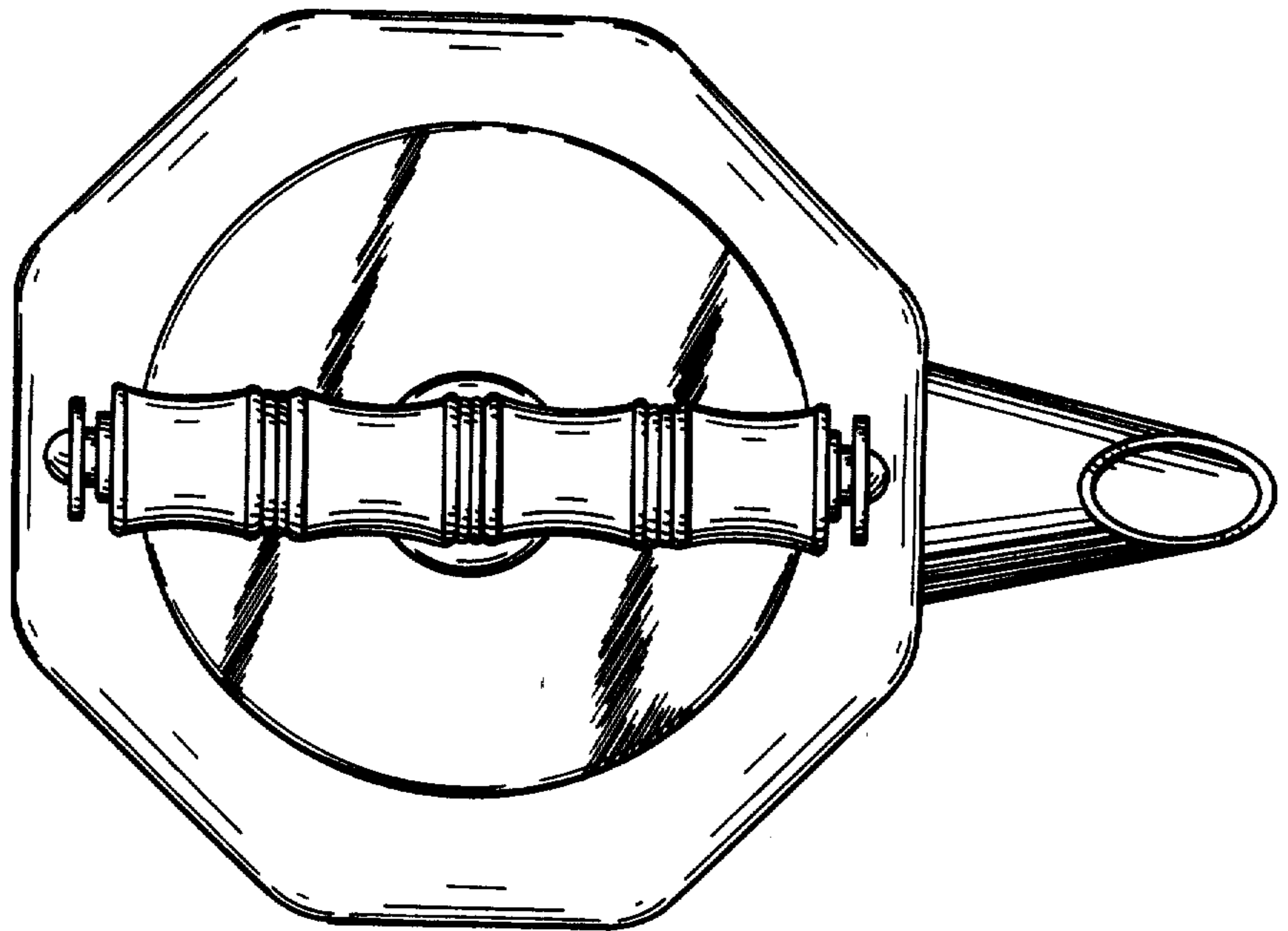


FIG. 7

