

[54] RECTANGULAR SLIDE SPA

[76] Inventor: John L. Haller, 7249 Carrizo Dr., La Jolla, Calif. 92037

[\*\*] Term: 14 Years

[21] Appl. No.: 966,907

[22] Filed: Dec. 6, 1978

[51] Int. Cl. .... D24-01; D23-02

[52] U.S. Cl. .... D24/38; D23/55; D25/2

[58] Field of Search ..... 128/66, 366, 367, 369; 4/193, 492, 488, 493; D24/38; D23/55, 56, 57; D25/2

[56] References Cited

U.S. PATENT DOCUMENTS

D. 221,495	8/1971	Cavenah	.....	D24/38
D. 240,084	5/1976	Melchior	.....	D23/55 X
D. 245,542	8/1977	Melchior	.....	D25/2 X
D. 250,962	1/1979	Bonsack	.....	D23/55
D. 254,688	4/1980	Reineman	.....	D24/38
3,688,775	9/1972	Raymann	.....	128/366

Primary Examiner—Bernard Ansher

Attorney, Agent, or Firm—John L. Haller

[57] CLAIM

The ornamental design for a rectangular slide spa, as shown and described.

DESCRIPTION

FIG. 1 is a perspective view of the rectangular slide spa, showing our new design;

FIG. 2 is a top plan view of the rectangular slide spa;

FIG. 3 is a sectional view of the rectangular slide spa taken at about 3—3 of FIG. 2;

FIG. 4 is a sectional view of the rectangular slide spa taken at about 4—4 of FIG. 2;

FIG. 5 is a sectional view of the rectangular slide spa taken at about 5—5 of FIG. 2;

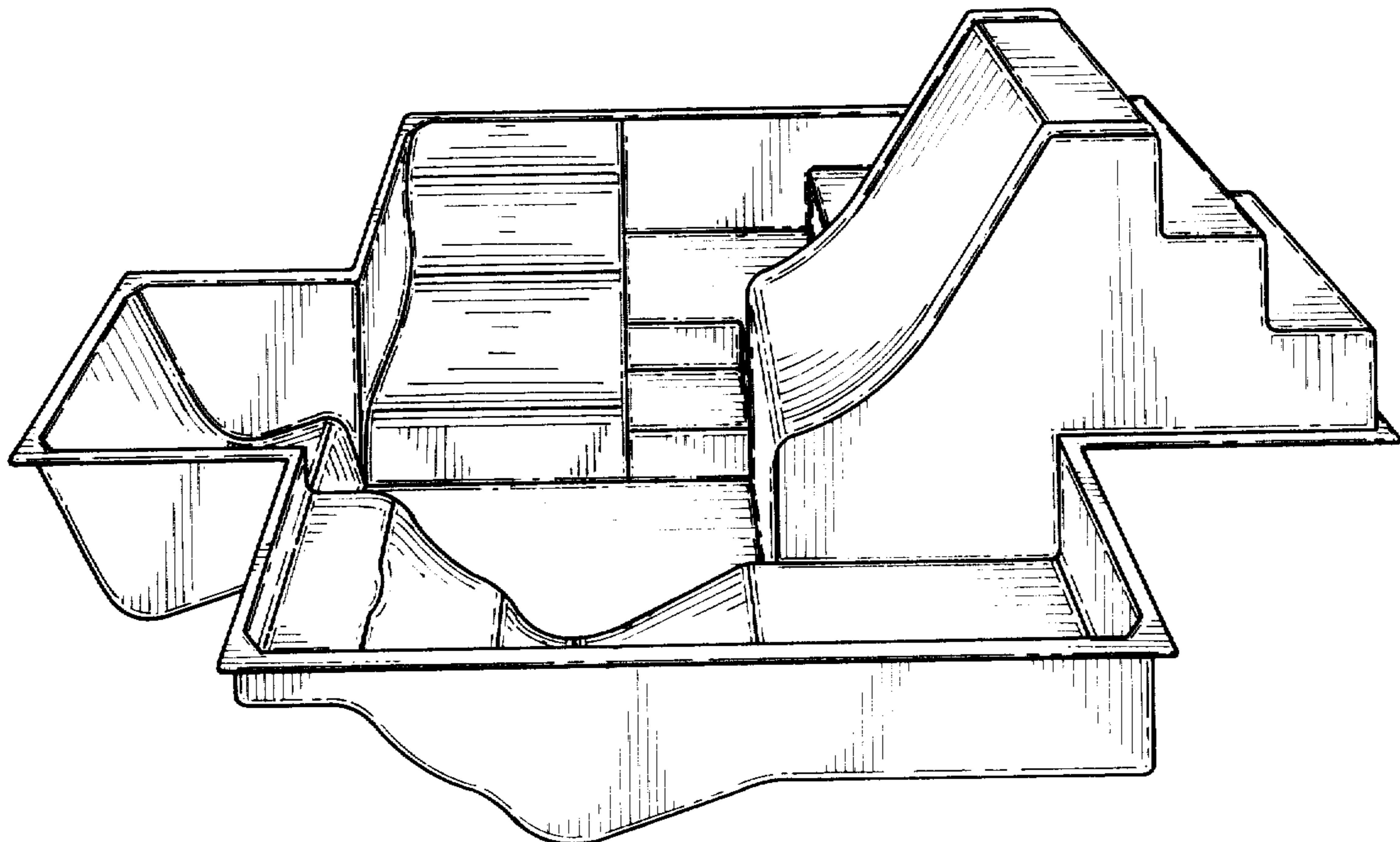
FIG. 6 is a sectional view of the rectangular slide spa taken at about 6—6 of FIG. 2;

FIG. 7 is a sectional view of the rectangular slide spa taken at about 7—7 of FIG. 2;

FIG. 8 is a sectional view of the rectangular slide spa taken at about 8—8 of FIG. 2;

FIG. 9 is a perspective view of a second embodiment of the rectangular slide spa; and

FIG. 10 is a third embodiment of the rectangular slide spa.



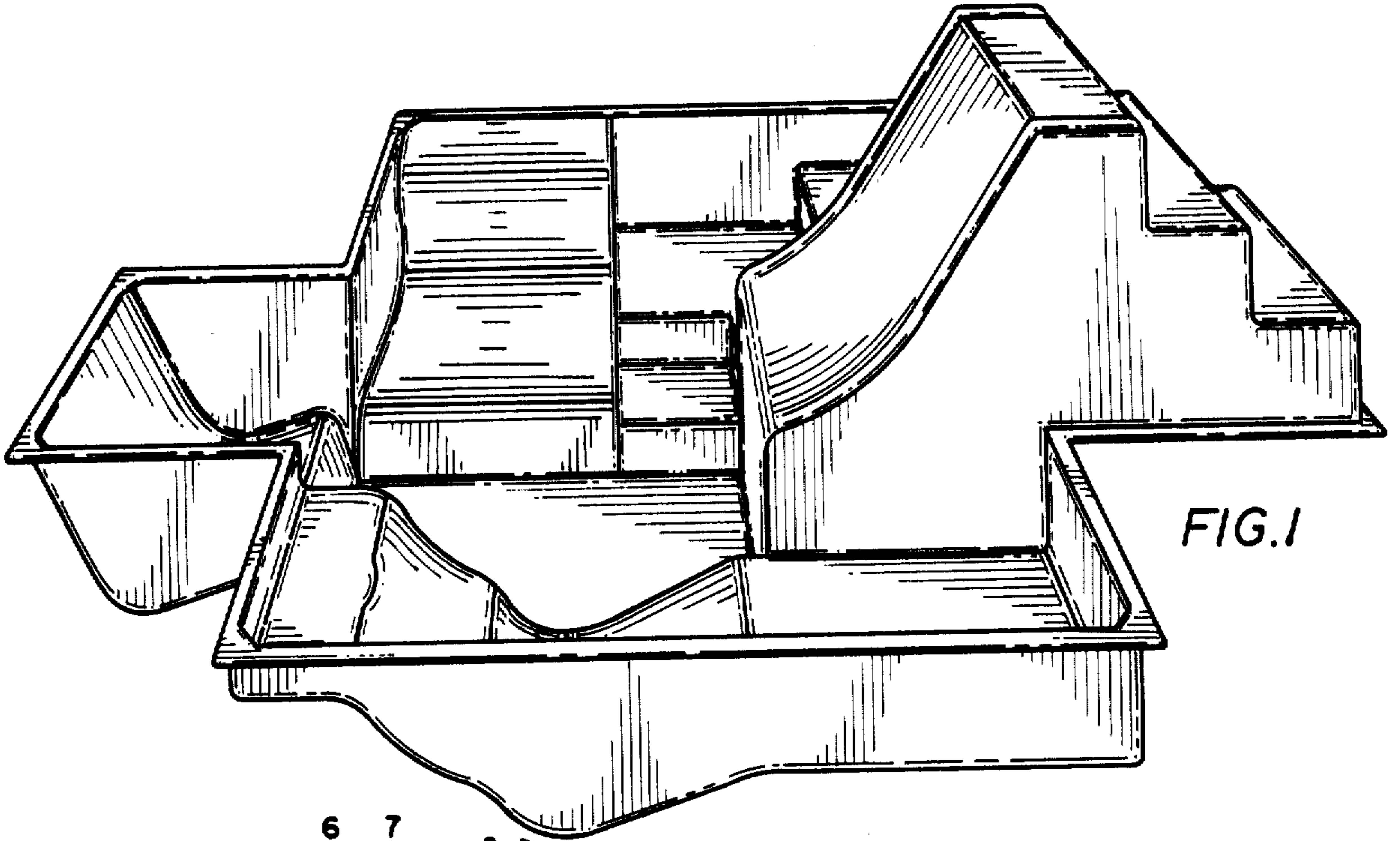


FIG. 1

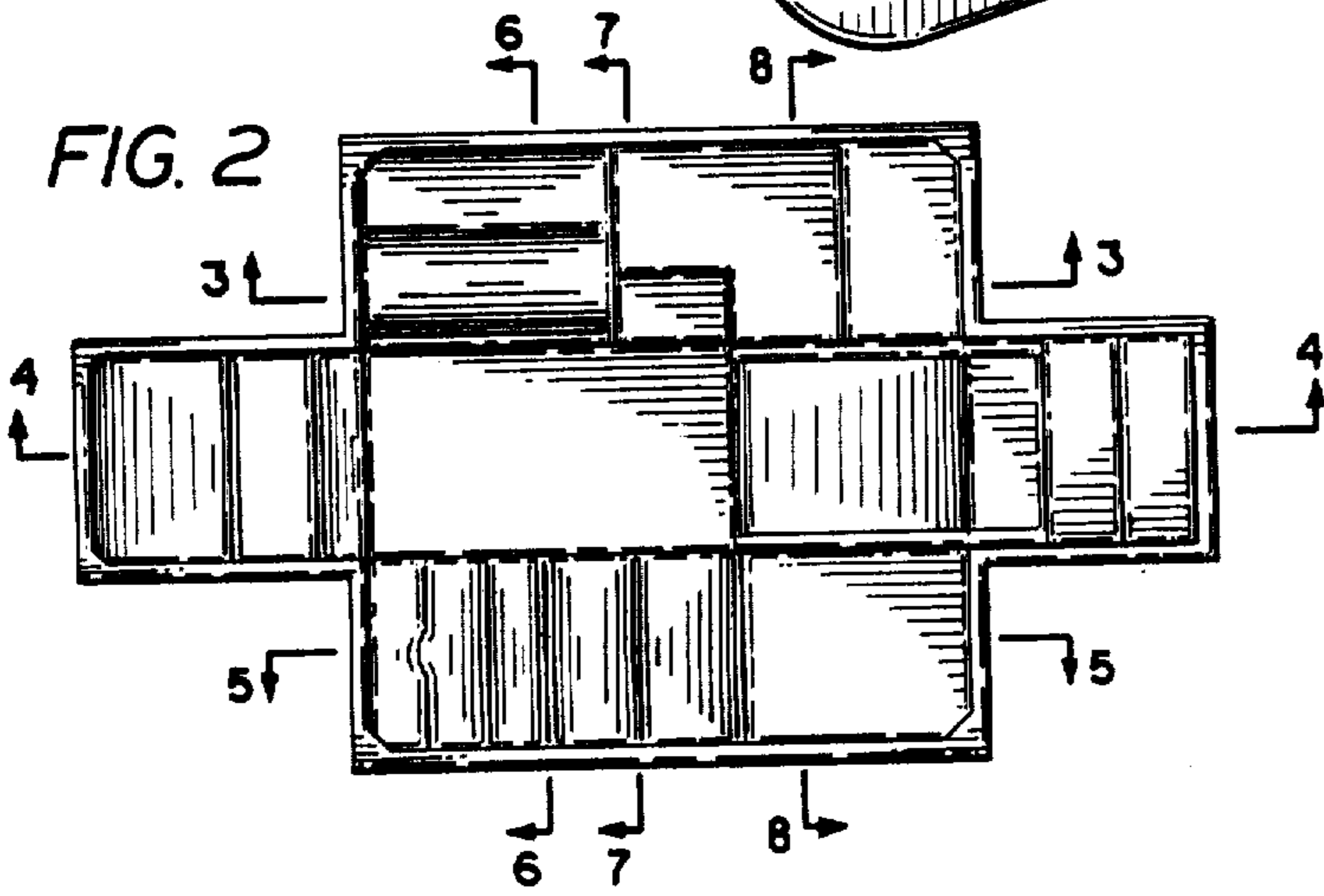


FIG. 2



FIG. 5

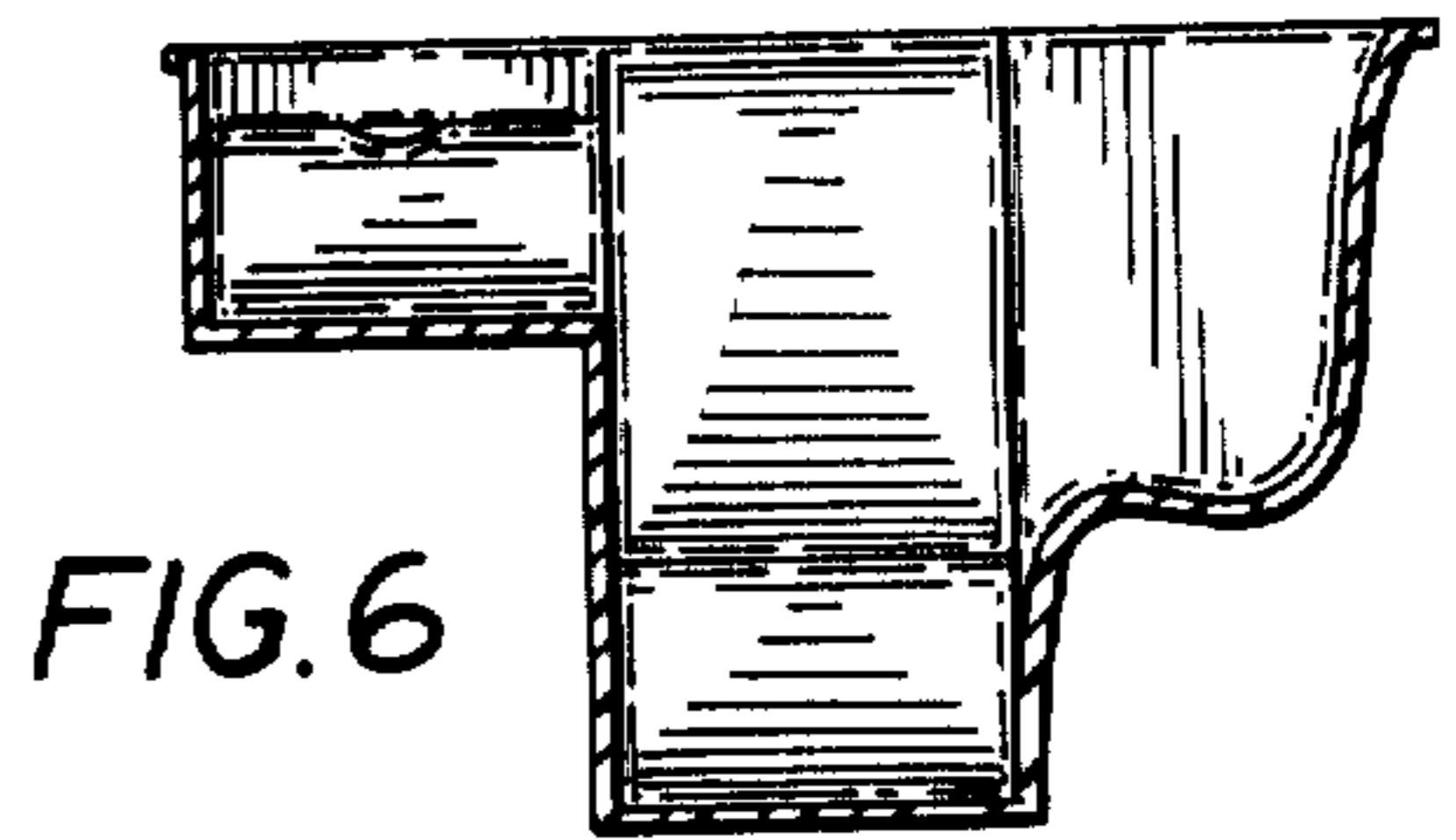


FIG. 6

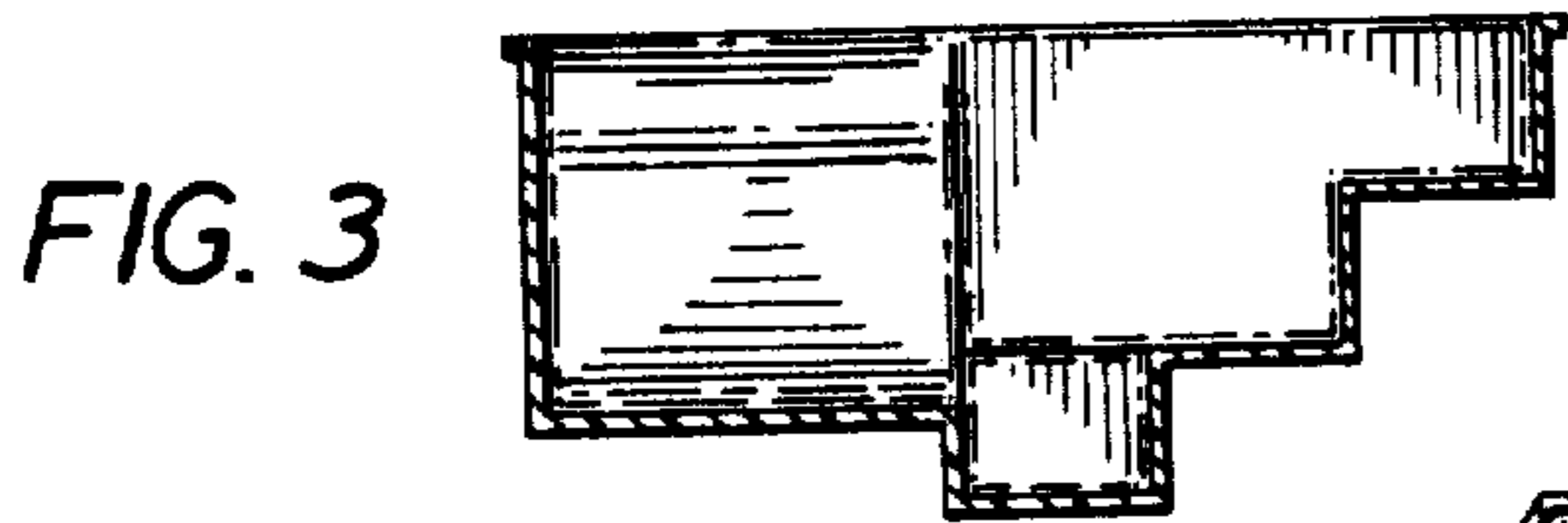


FIG. 3

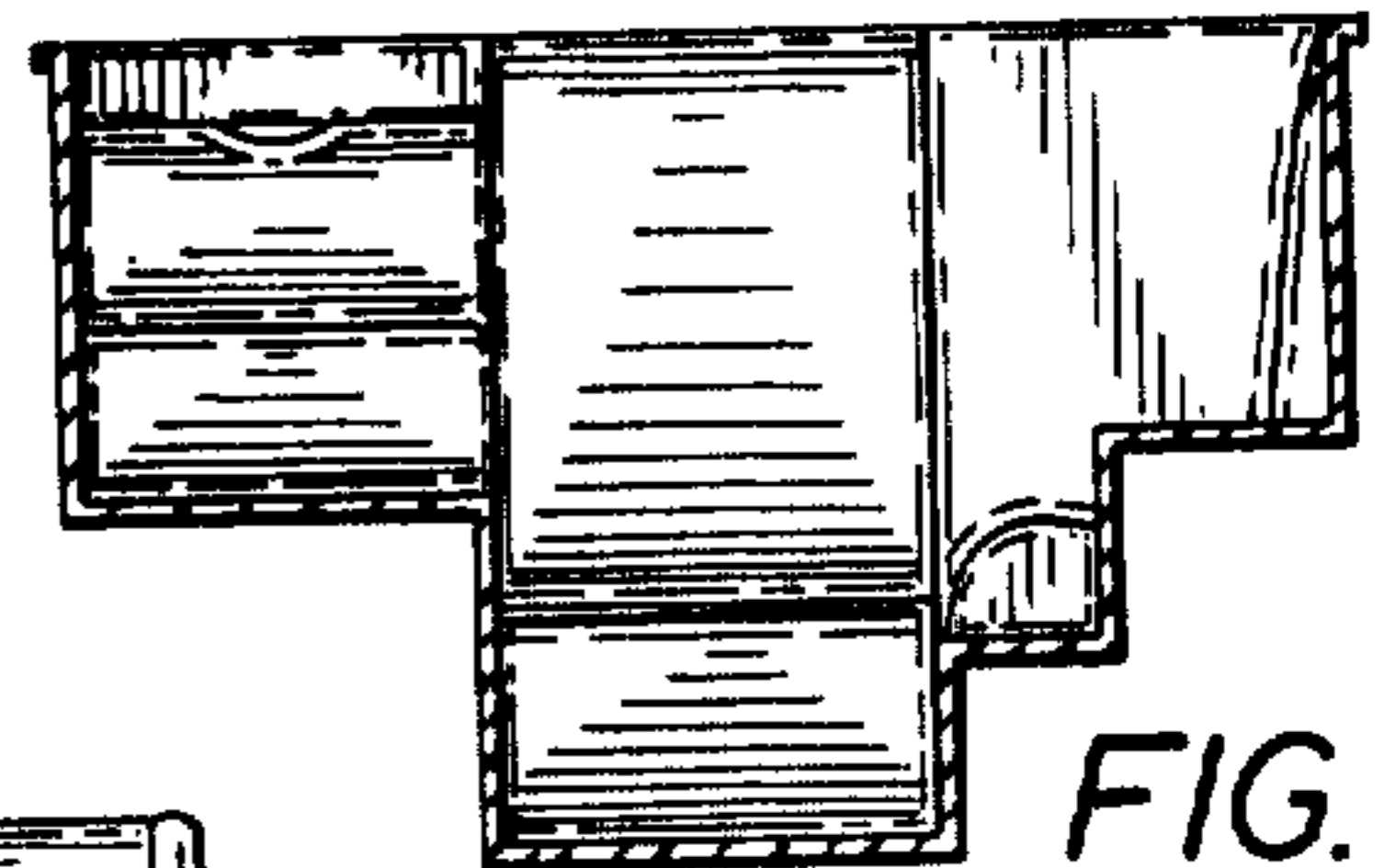


FIG. 7

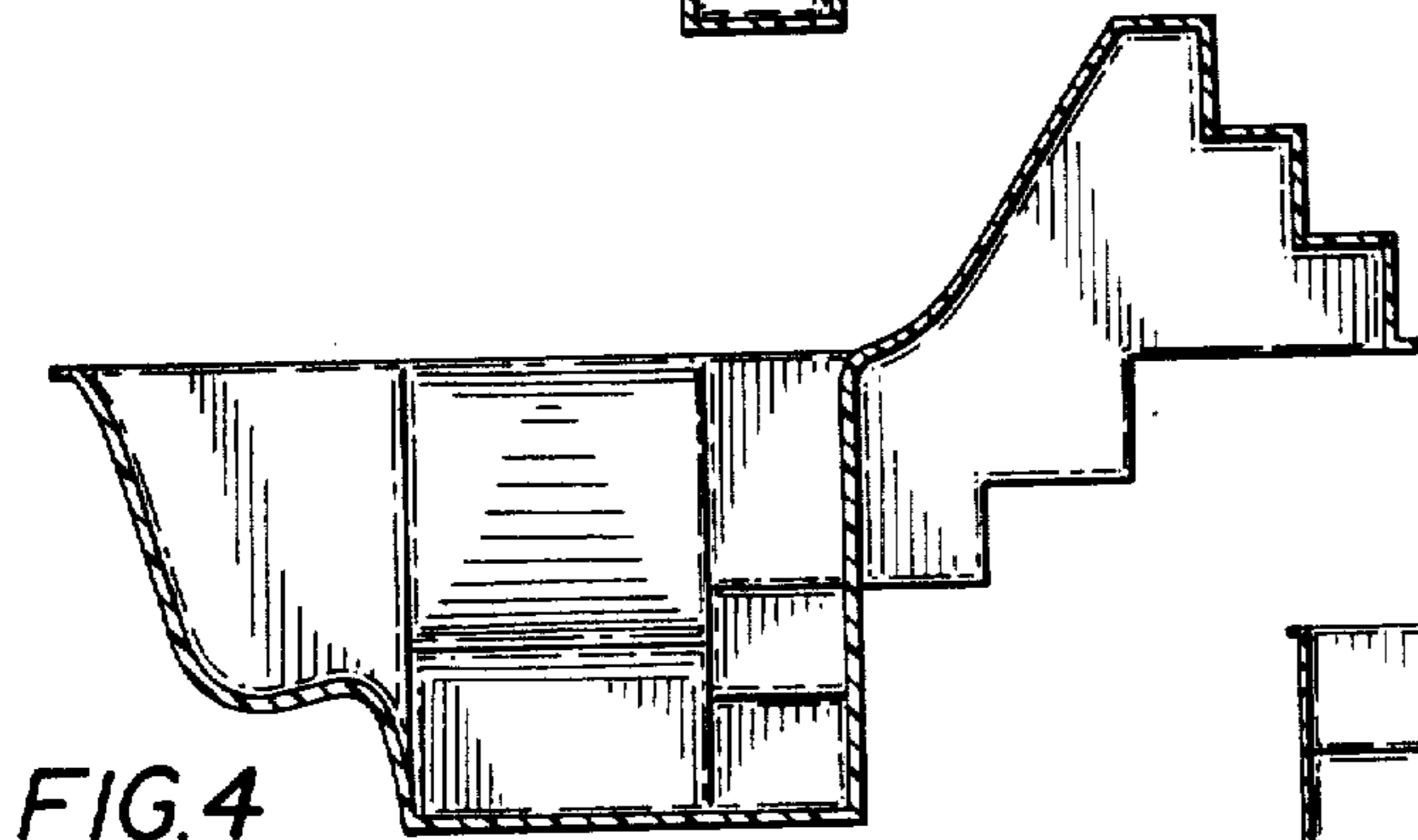


FIG. 4

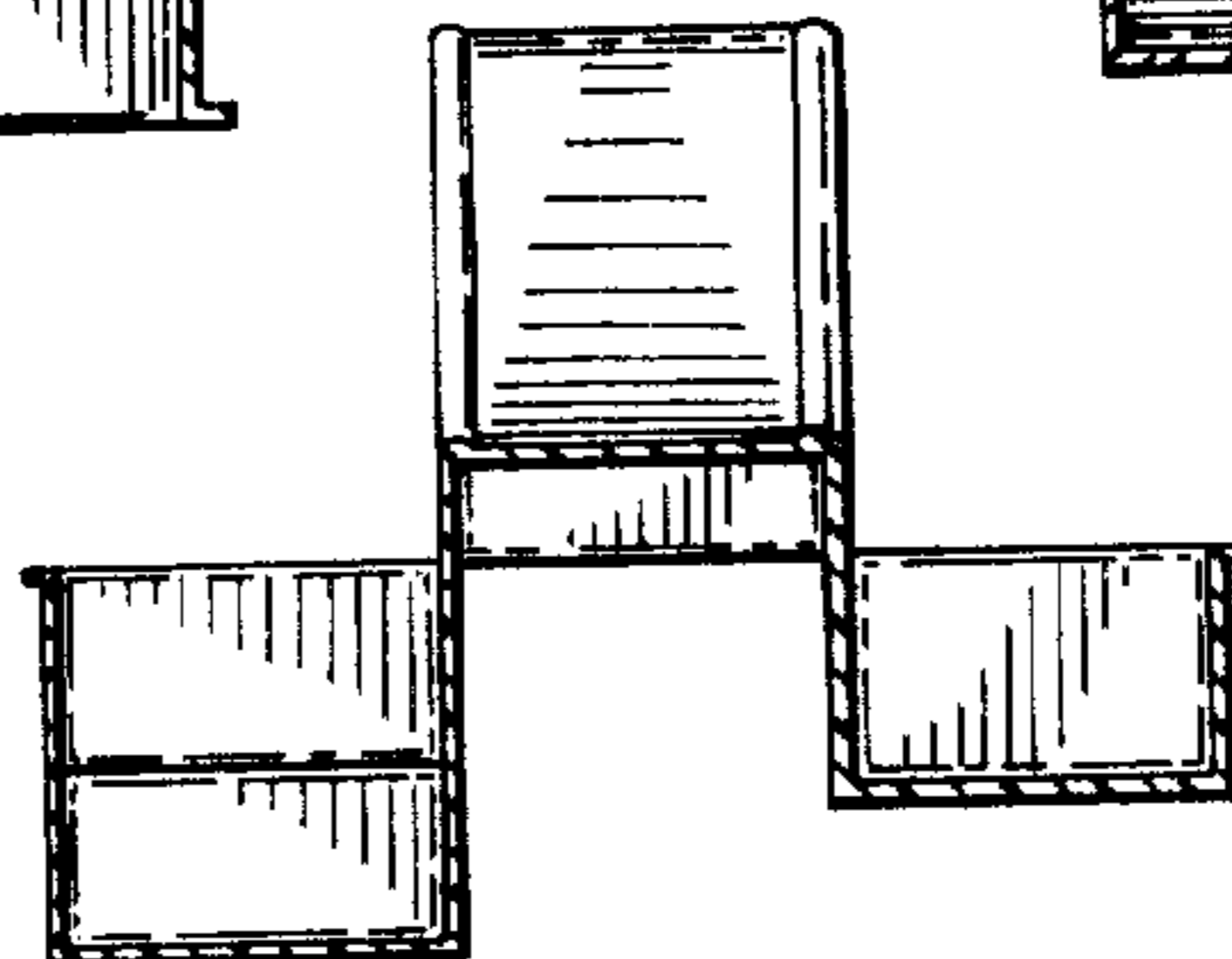


FIG. 8

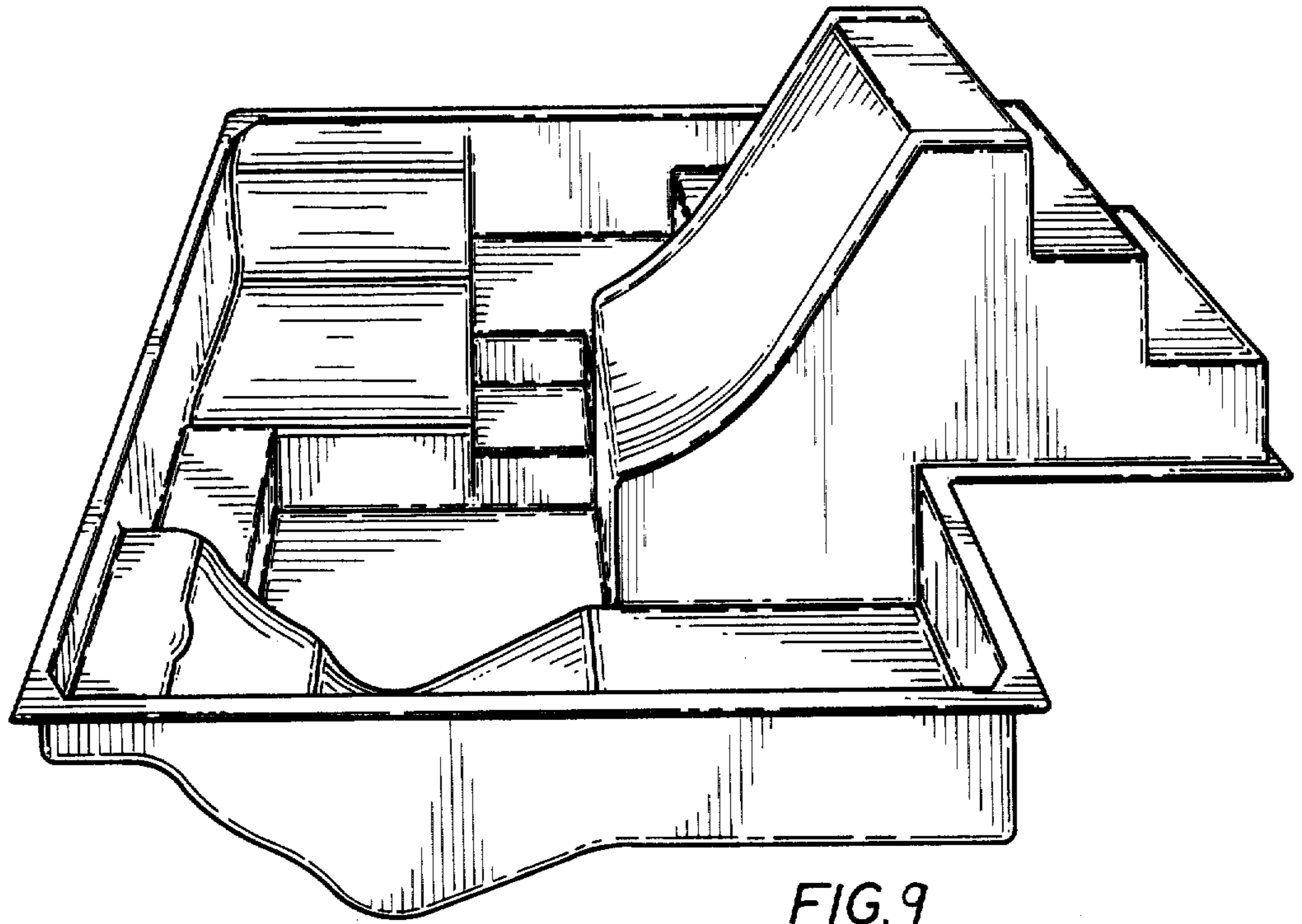


FIG. 9

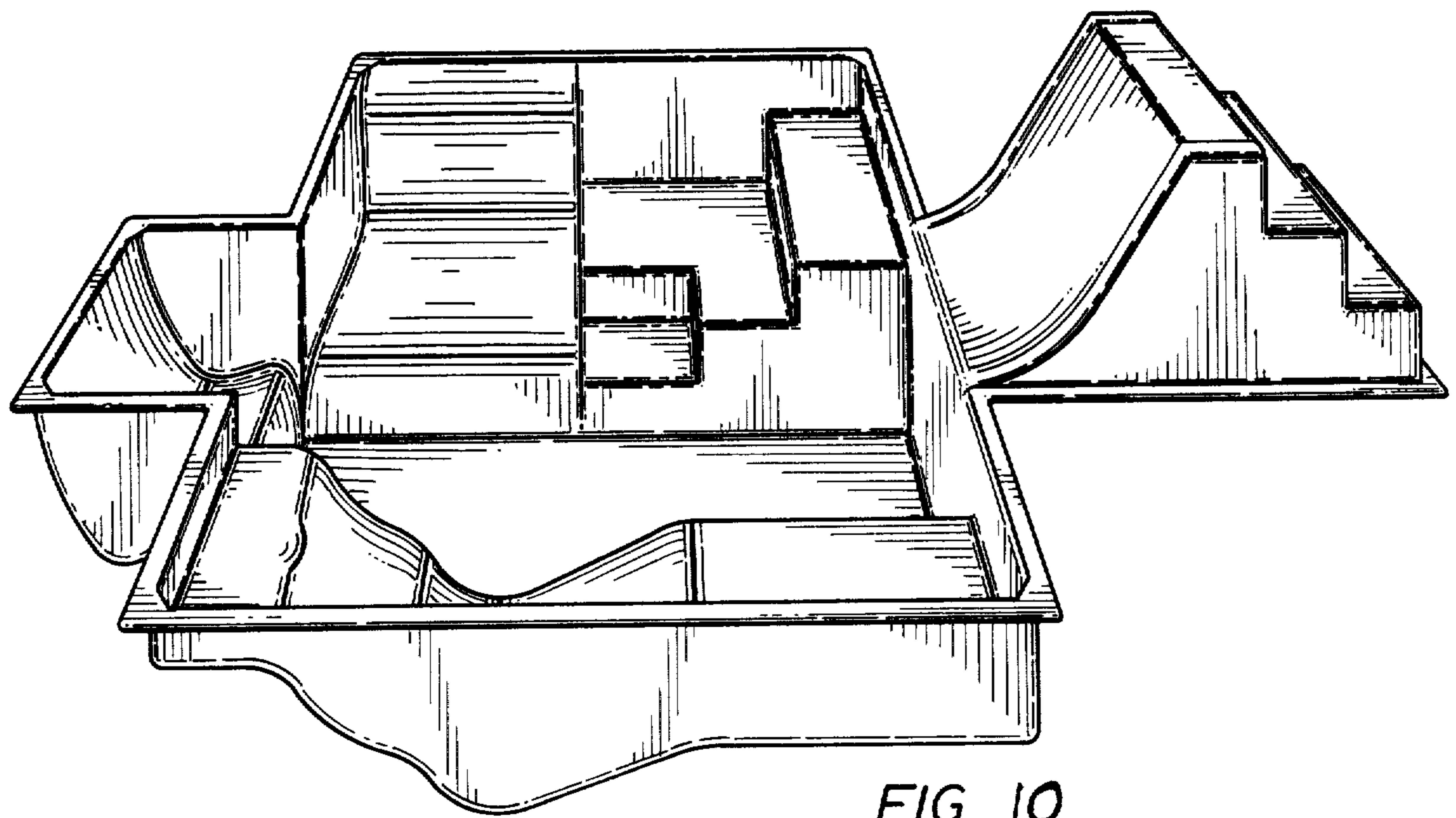


FIG. 10