

[54] **CASTING FOR FIREPLACE HEAT EXCHANGER**

[75] Inventors: **Thomas V. Metz**, Portland; **W. James Sirois**, Beaverton, both of Oreg.

[73] Assignee: **Pacific Fireplace Furnishings, Inc.**, Portland, Oreg.

[**] Term: **14 Years**

[21] Appl. No.: **967,439**

[22] Filed: **Dec. 7, 1978**

[51] Int. Cl. **D23-03**

[52] U.S. Cl. **D23/127**

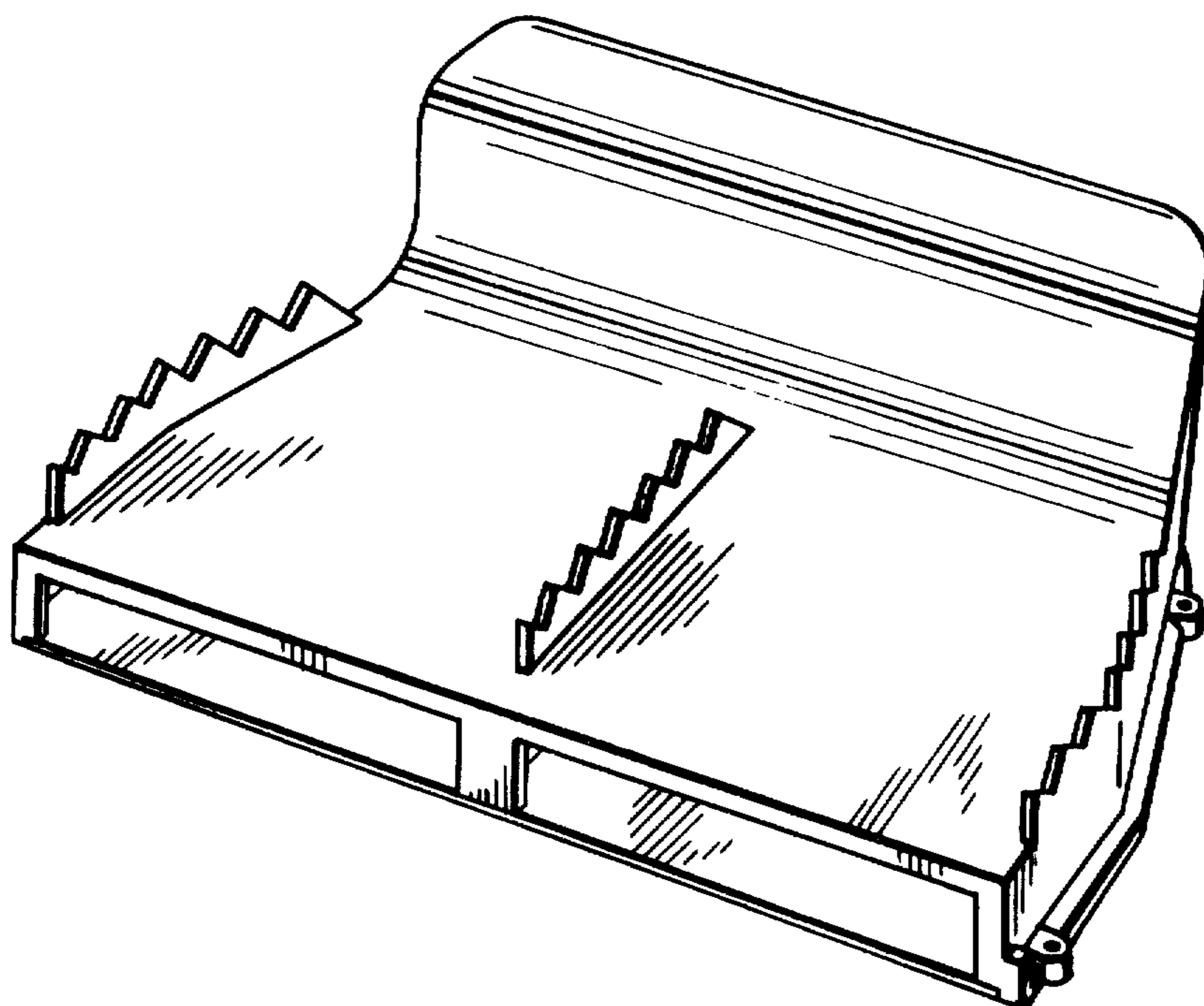
[58] Field of Search **D23/92-97, D23/127; D7/207; 126/120, 121, 138, 140, 163 R, 163 A, 164, 165**

[56] **References Cited**
U.S. PATENT DOCUMENTS
 D. 254,388 3/1980 Chesnut et al. D23/95
Primary Examiner—Catherine E. Kemper
Attorney, Agent, or Firm—Chernoff & Vilhauer

[57] **CLAIM**
 The ornamental design for a casting for fireplace heat exchanger, as shown and described.

DESCRIPTION

FIG. 1 is a perspective view of a casting for fireplace heat exchanger showing our new design;
 FIG. 2 is a plan view thereof;
 FIG. 3 is a side elevational view thereof, the side of the casting not shown herein is a mirror image thereof;
 FIG. 4 is a front elevational view thereof;
 FIG. 5 is a rear elevational view thereof; and
 FIG. 6 is a bottom view thereof.



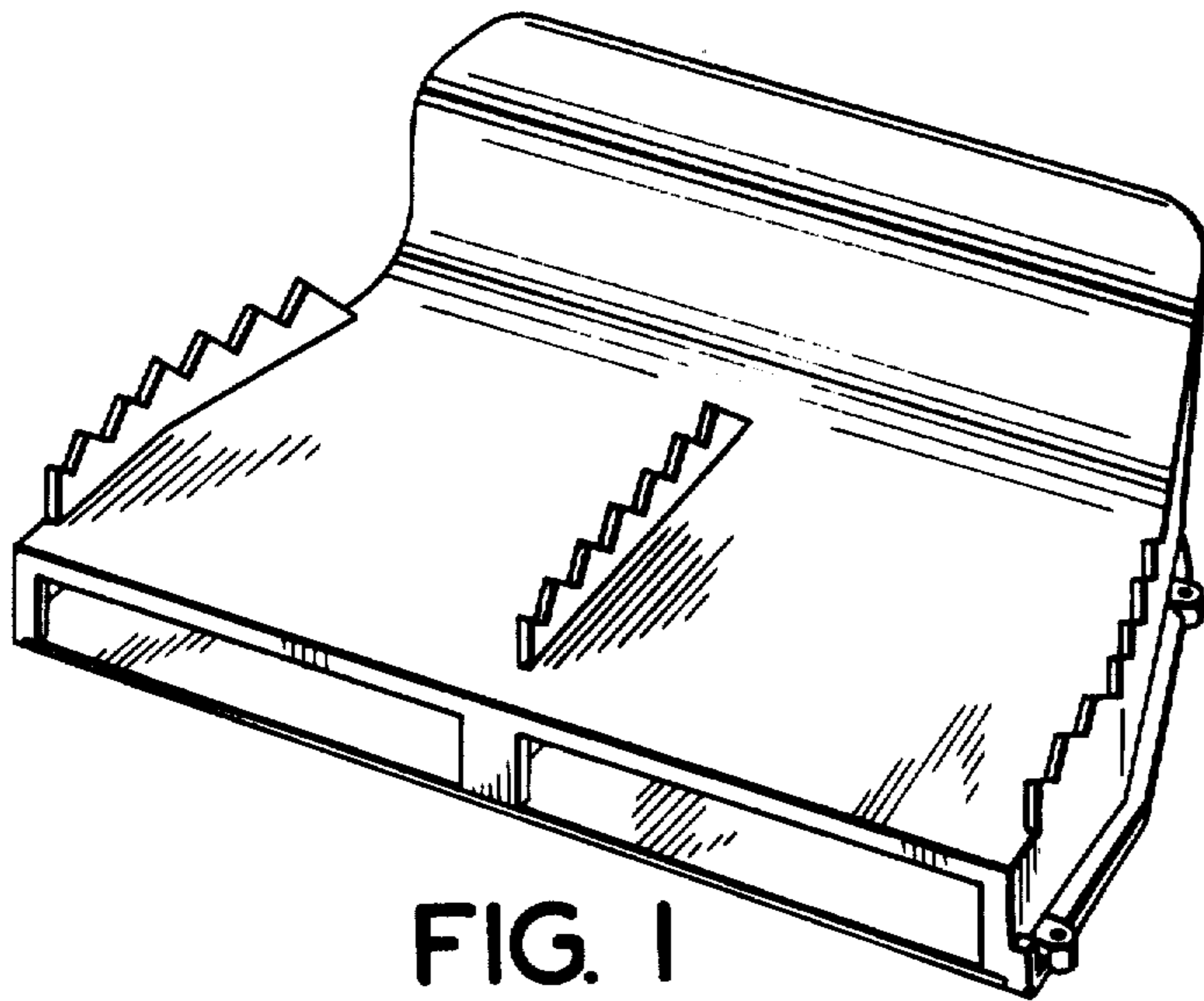


FIG. 1

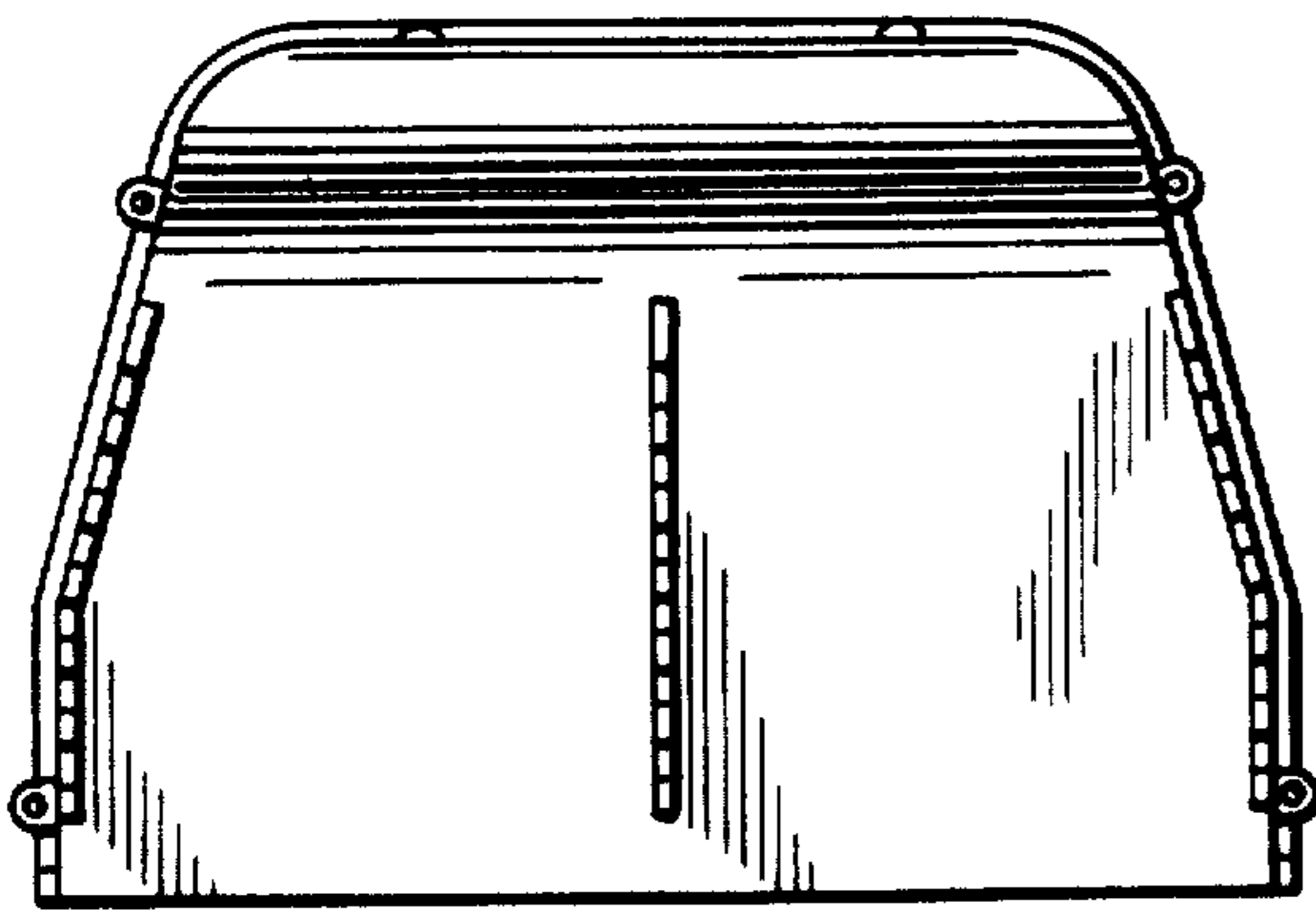


FIG. 2

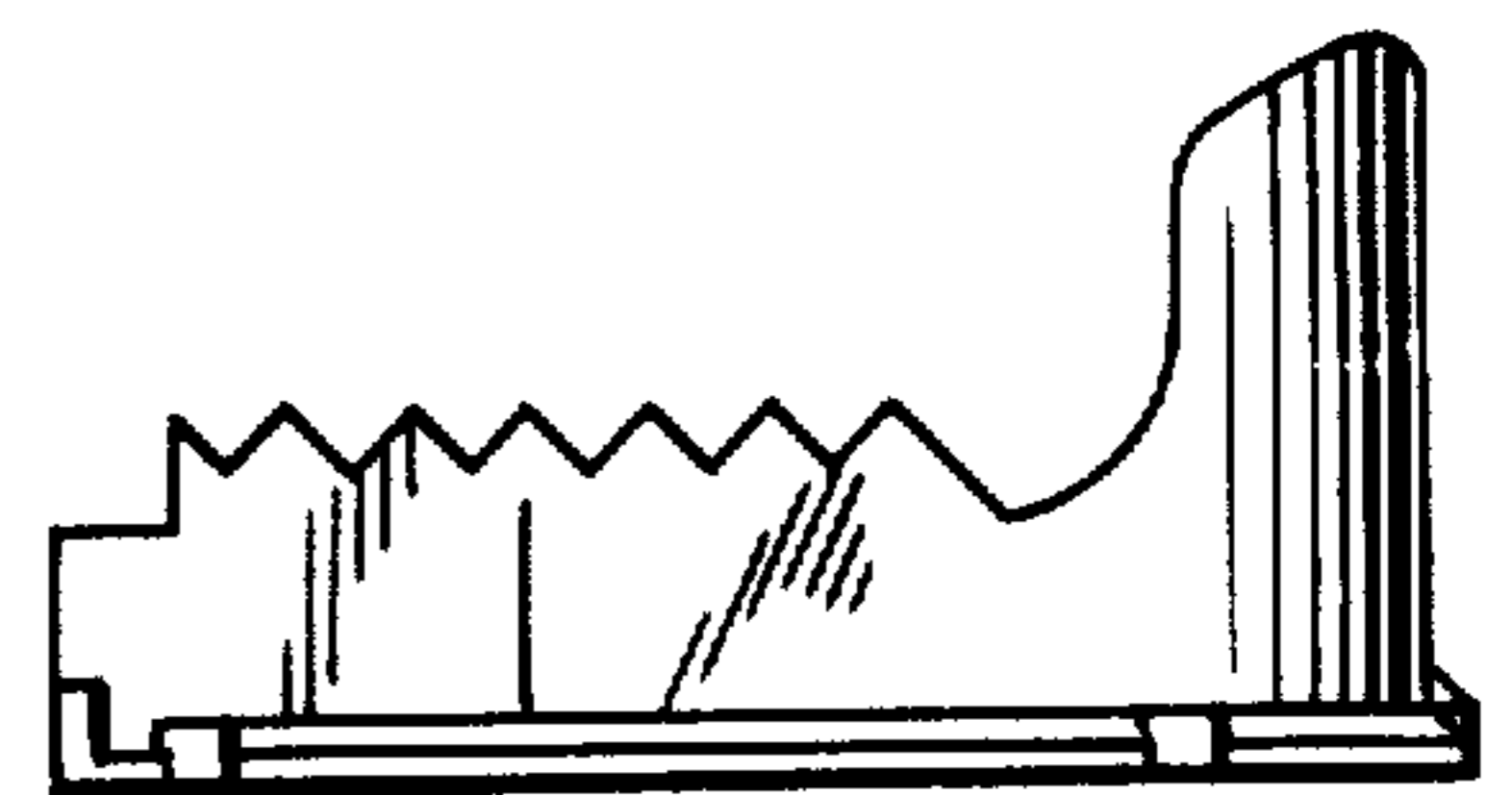


FIG. 3

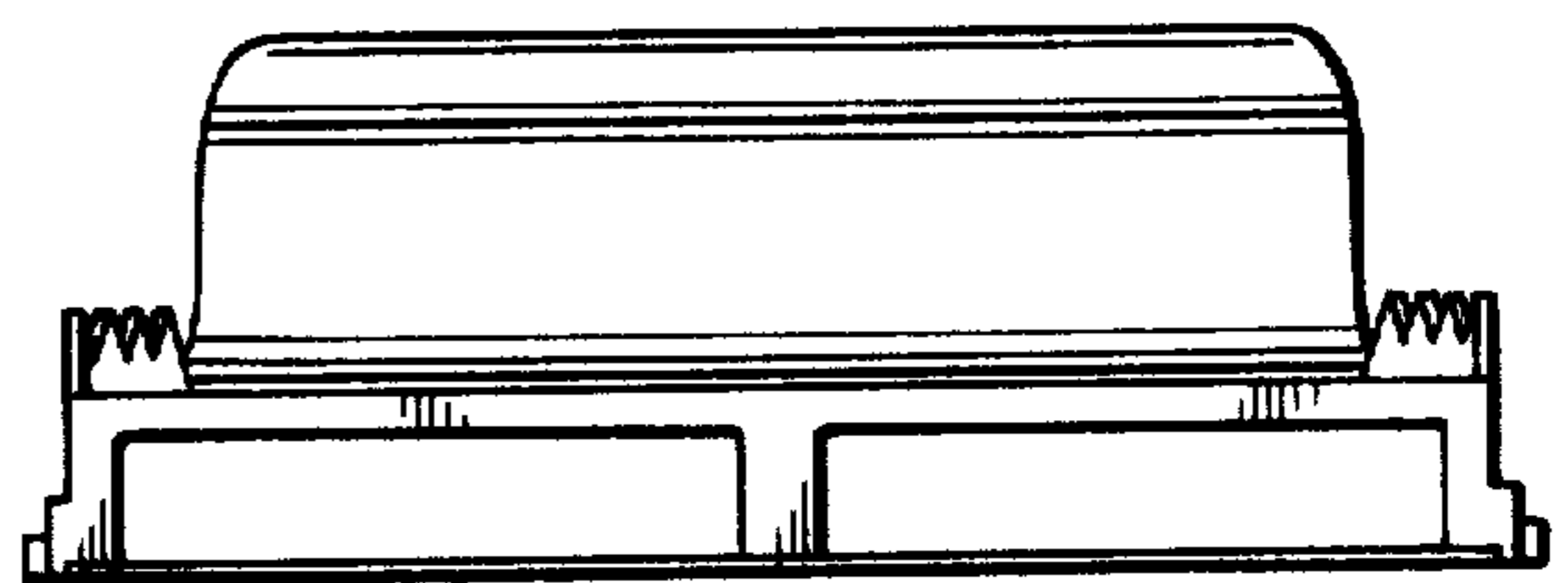


FIG. 4

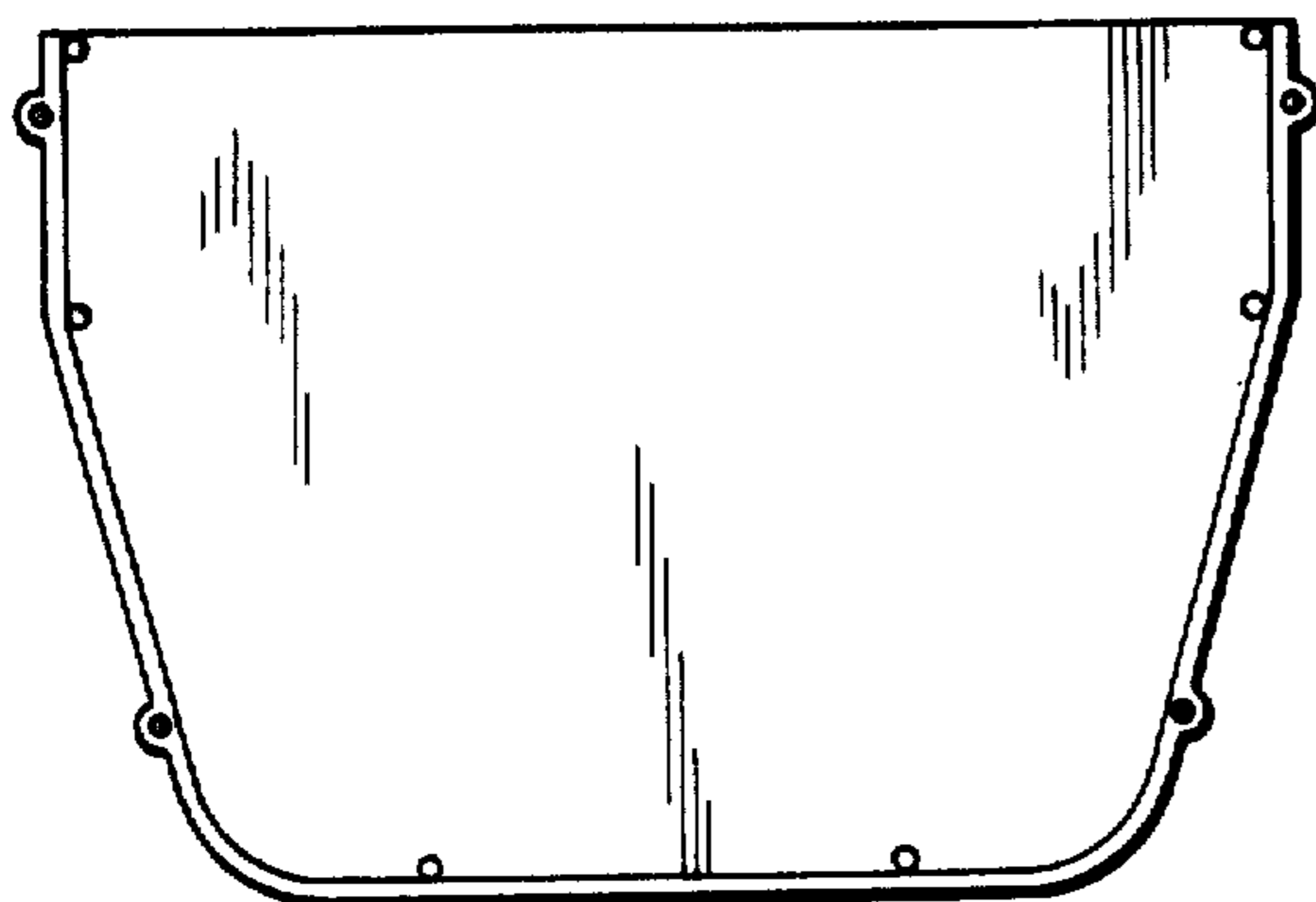


FIG. 6

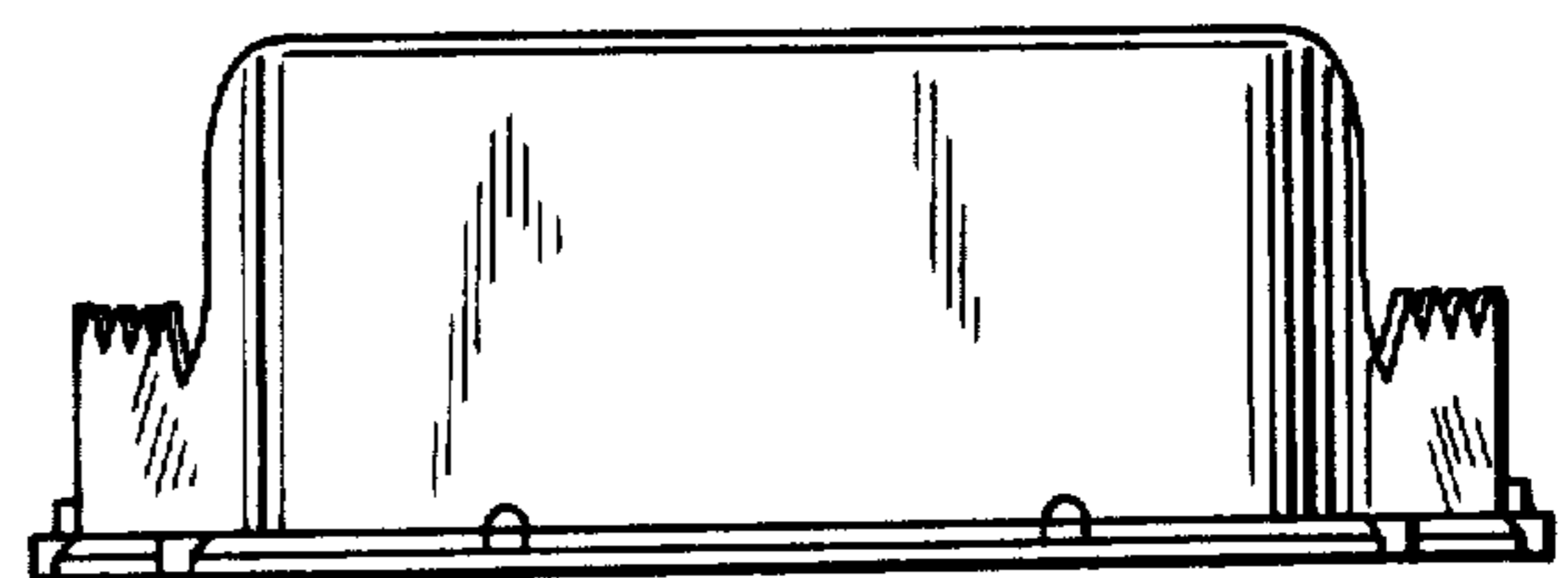


FIG. 5