

[54] SINK

[76] Inventor: Michael E. Hurray, 313 Diamond,
Balboa Island, Calif. 92662

[**] Term: 14 Years

[21] Appl. No.: 64,198

[22] Filed: Aug. 6, 1979

[51] Int. Cl. D23-02

[52] U.S. Cl. D23/58; 4/578;
4/590

[58] Field of Search D23/58-64;
4/578, 590, 630, 631, 637, 638, 654.8, 656

[56] References Cited

U.S. PATENT DOCUMENTS

D. 203,802 2/1966 Graning, Jr. D23/62
D. 212,418 10/1968 Doman D23/58
D. 230,402 2/1974 Graning, Jr. D23/58

1,522,045 1/1925 Burton 4/637
2,058,284 10/1936 Addition 4/590

Primary Examiner—James R. Largen
Attorney, Agent, or Firm—John H. Crowe

[57] CLAIM

The ornamental design for a sink, substantially as shown
and described.

DESCRIPTION

FIG. 1 is a perspective view of a sink showing my new
design.

FIG. 2 is a top plan view thereof.

FIG. 3 is a front elevational view thereof.

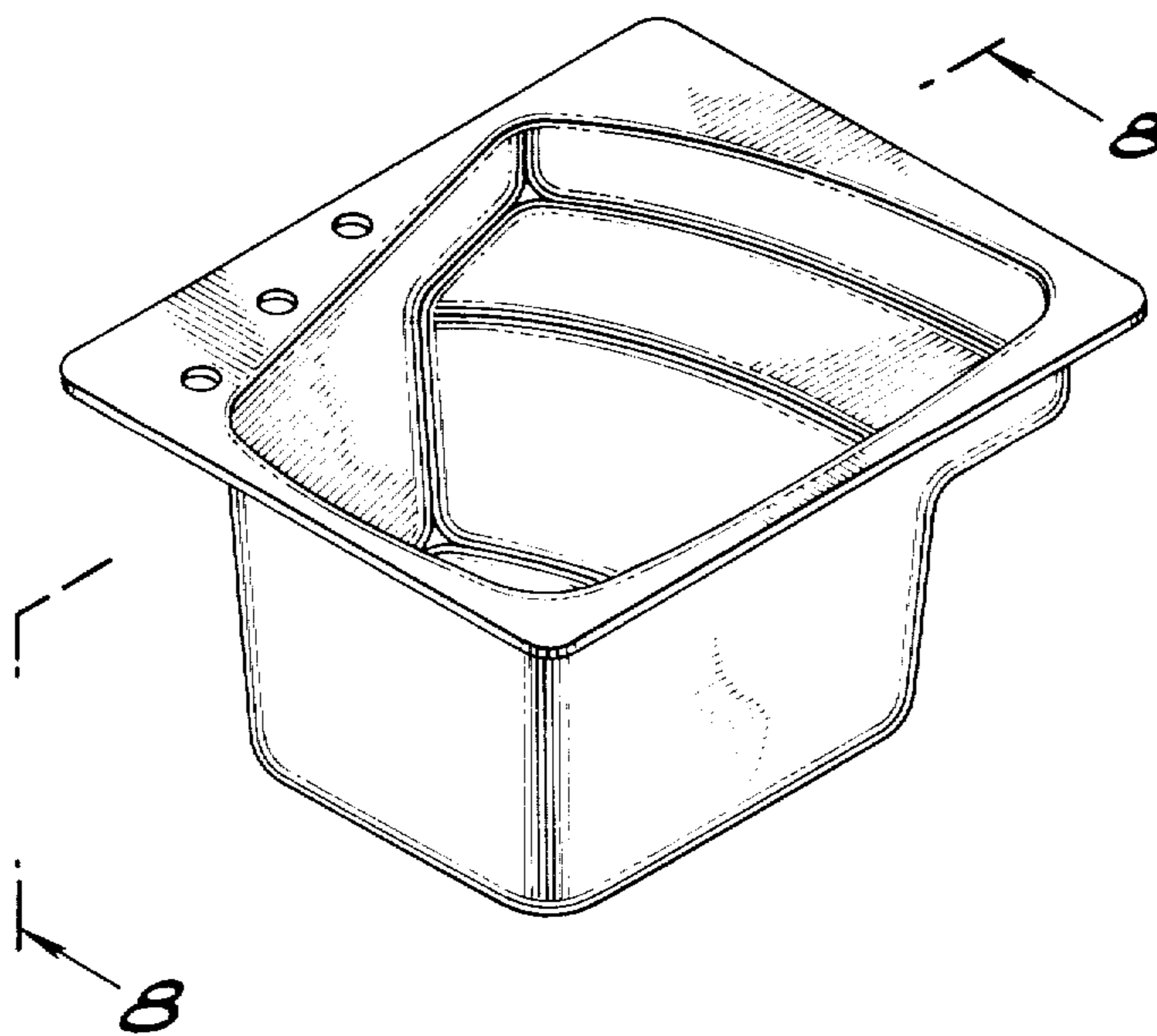
FIG. 4 is a right side elevational view thereof.

FIG. 5 is a rear elevational view thereof.

FIG. 6 is a left side elevational view thereof.

FIG. 7 is a bottom plan view thereof.

FIG. 8 is a cross sectional view taken on line 8-8 of
FIG. 1.



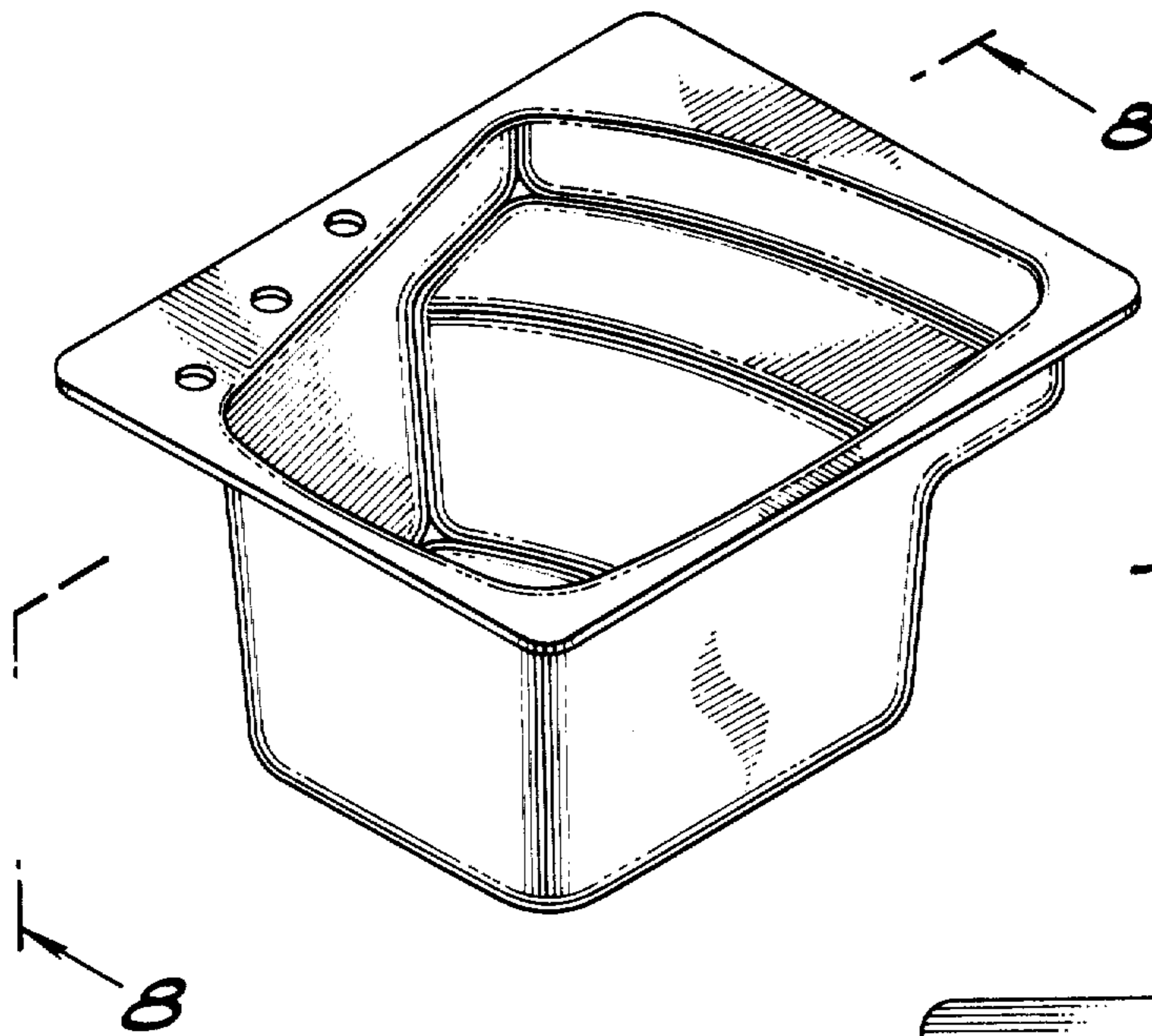


FIG. 1.

FIG. 2.

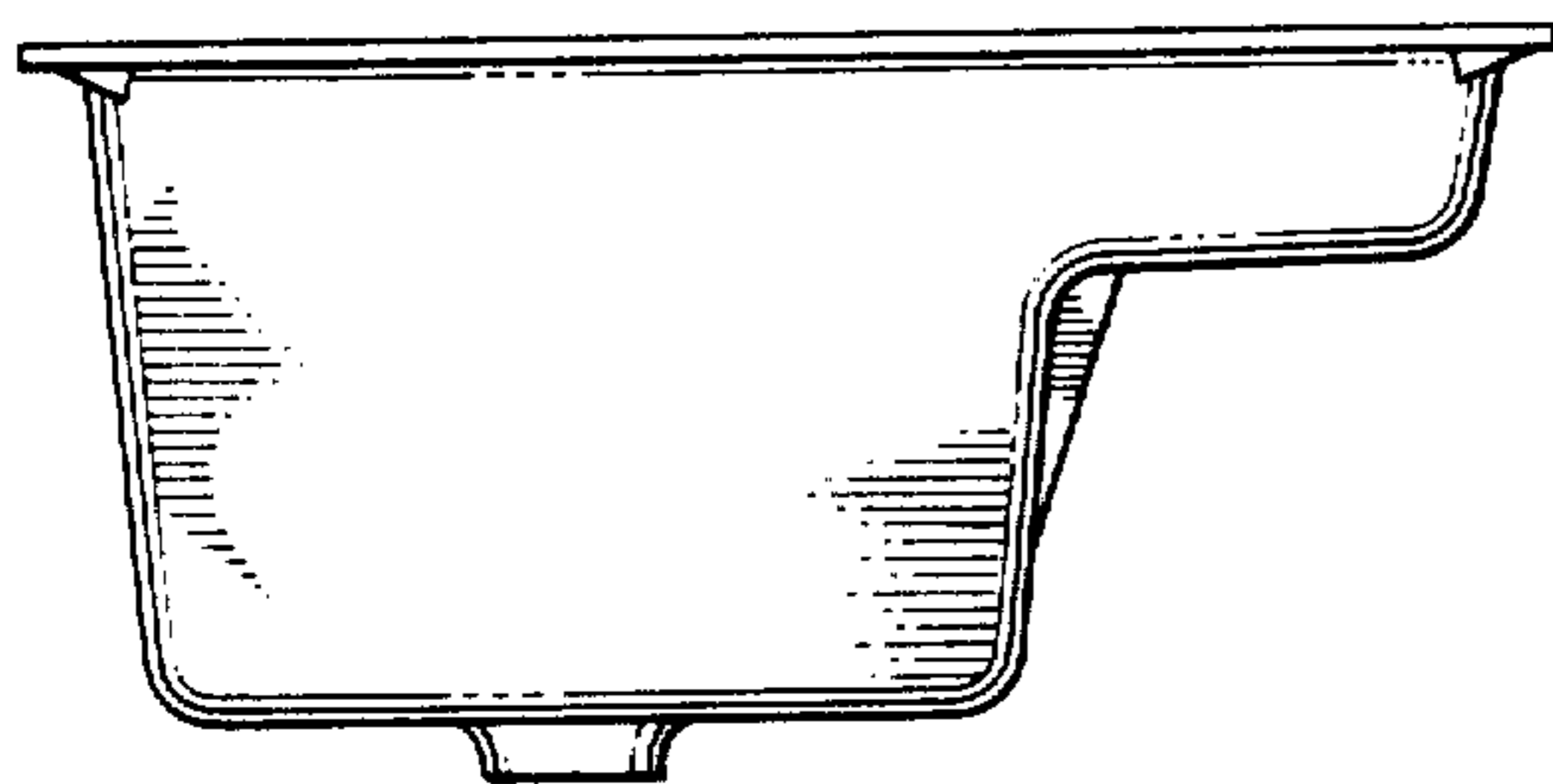
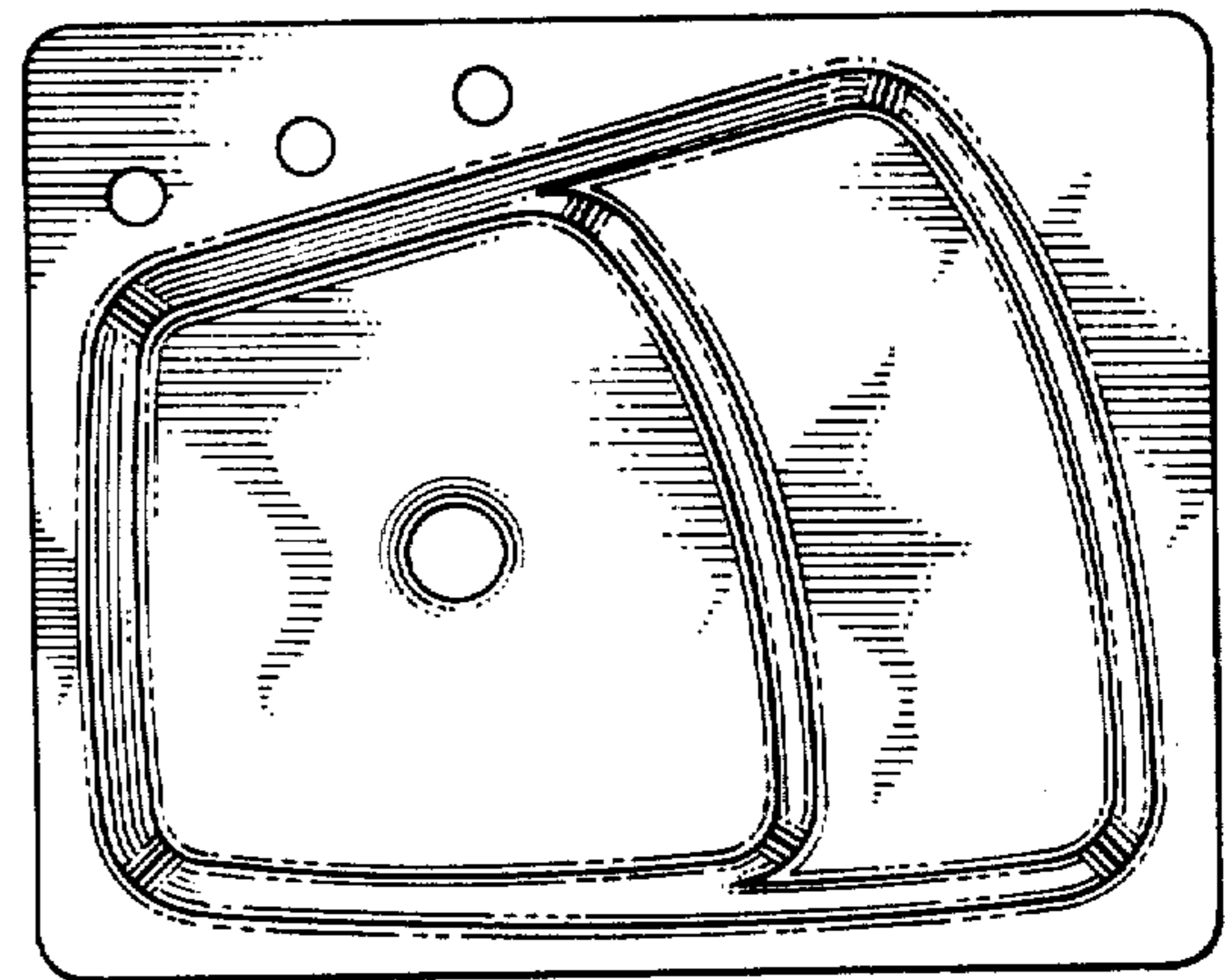


FIG. 3.

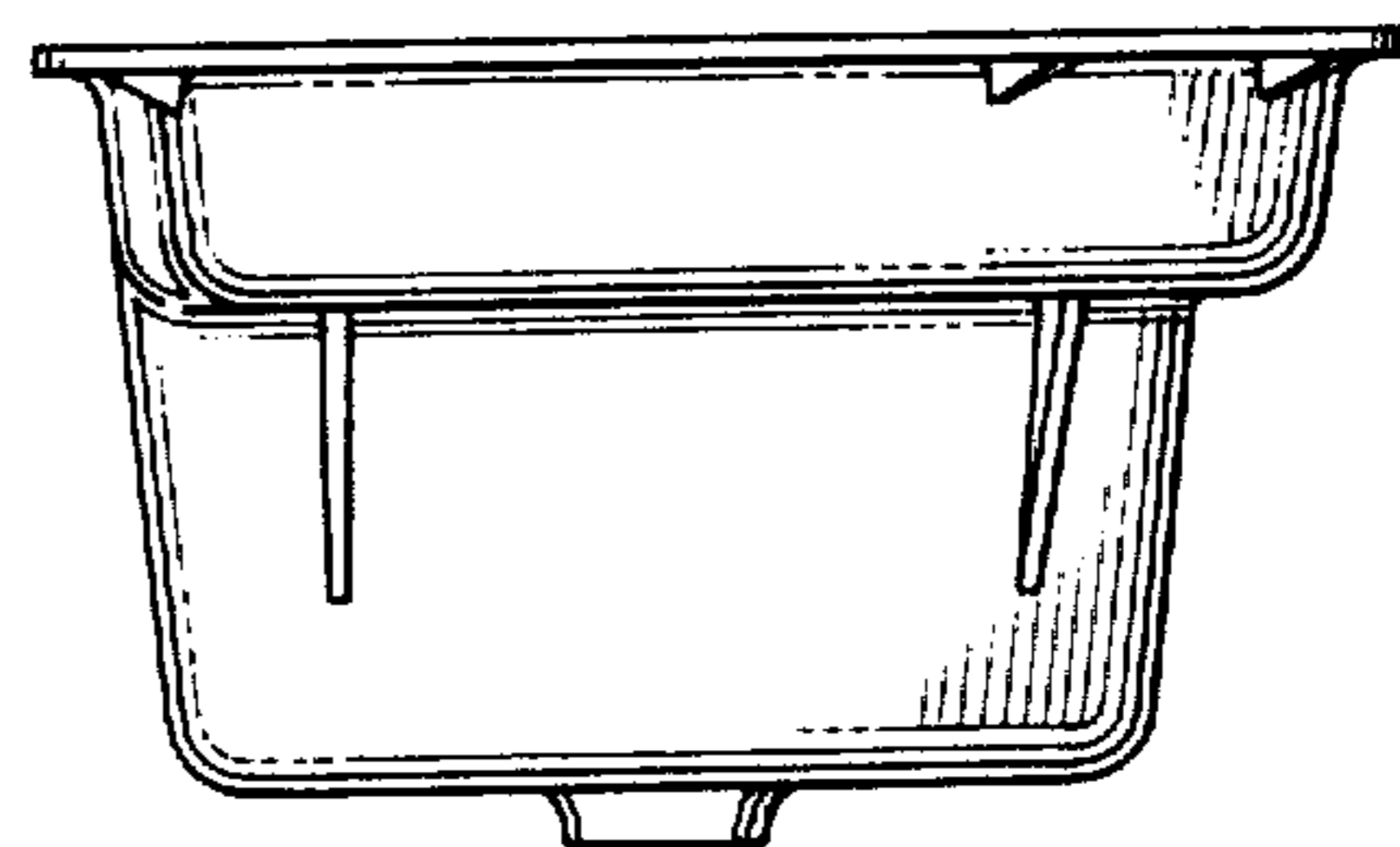


FIG. 4.

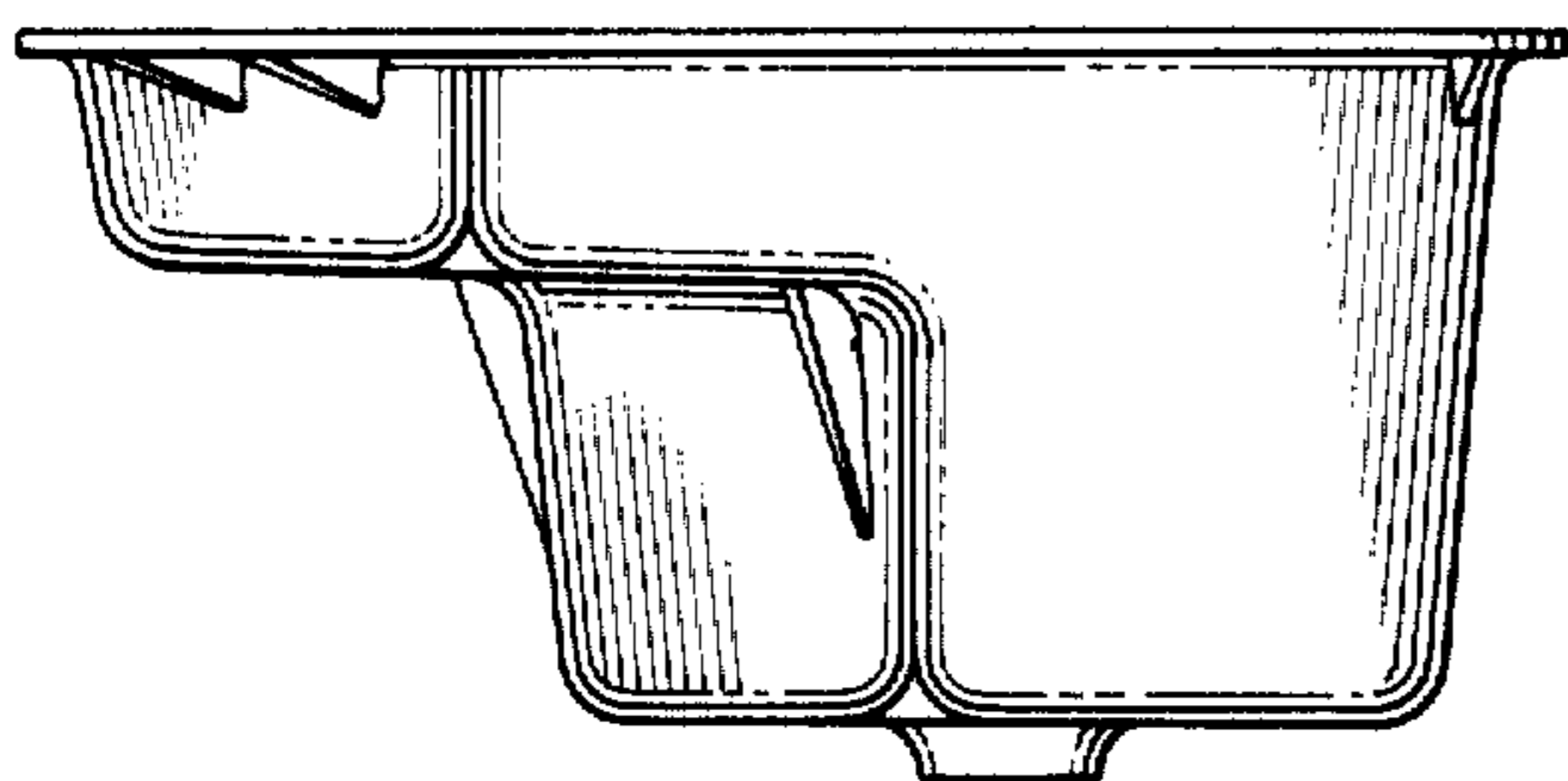


FIG. 5.

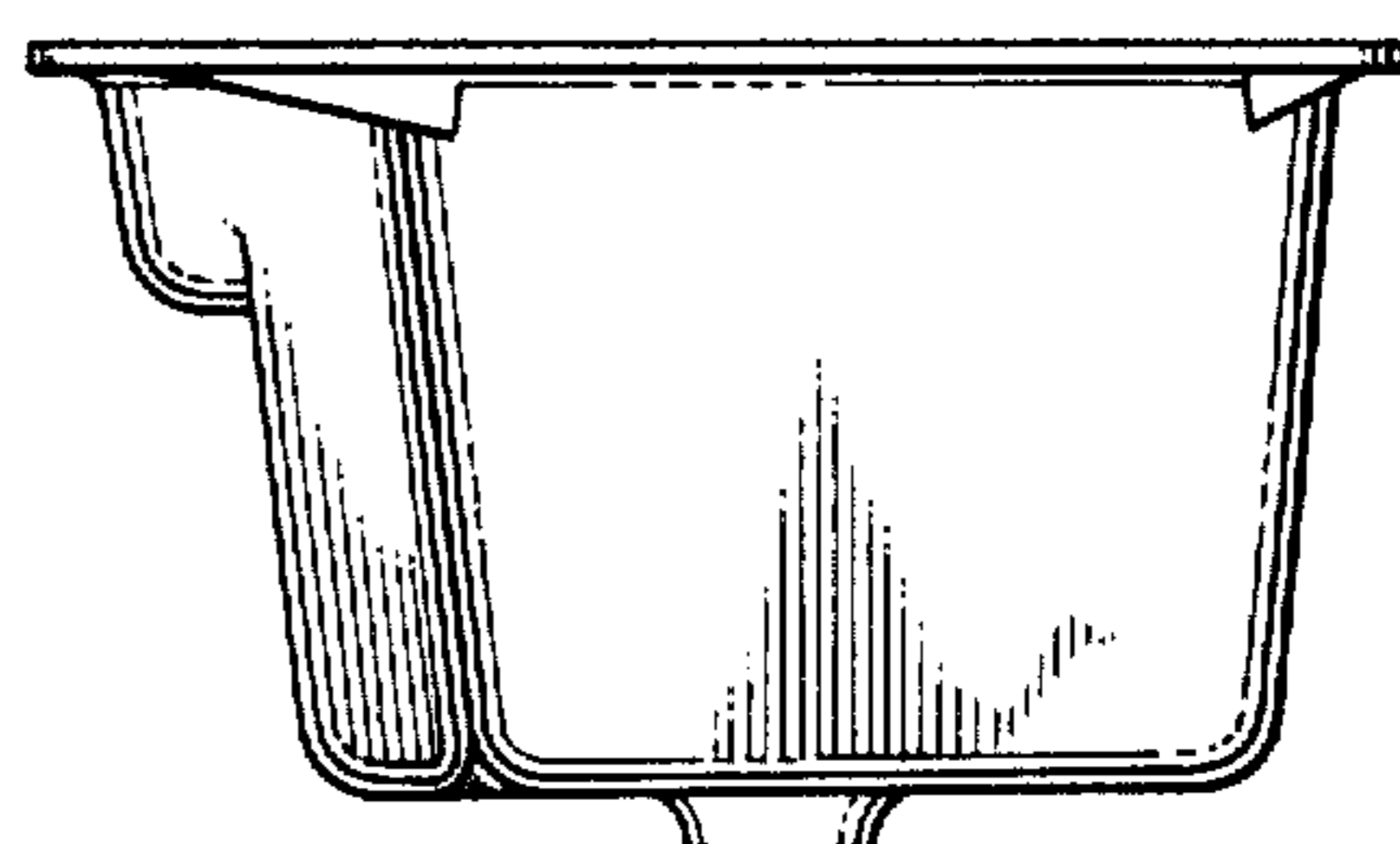


FIG. 6.

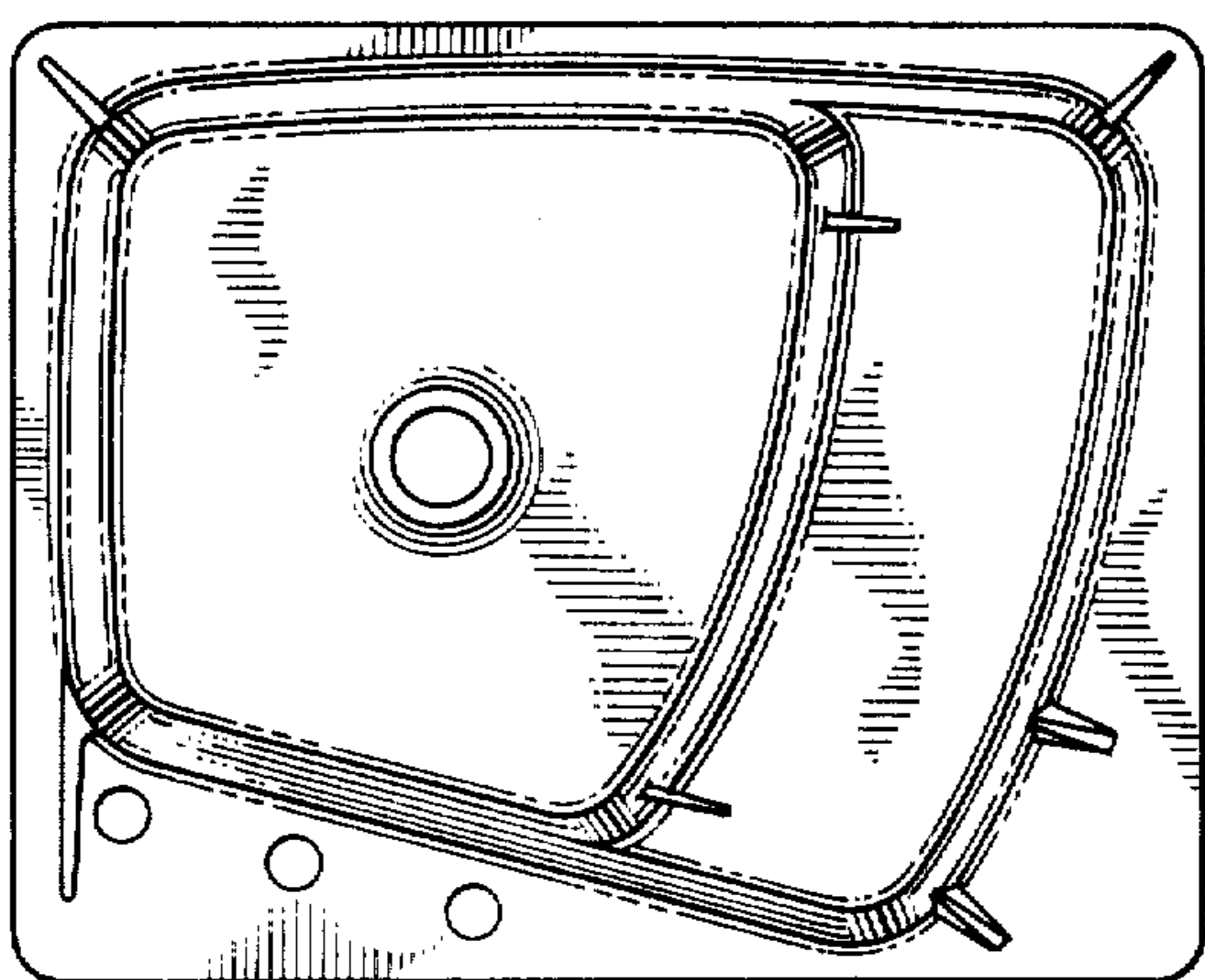


FIG. 7.

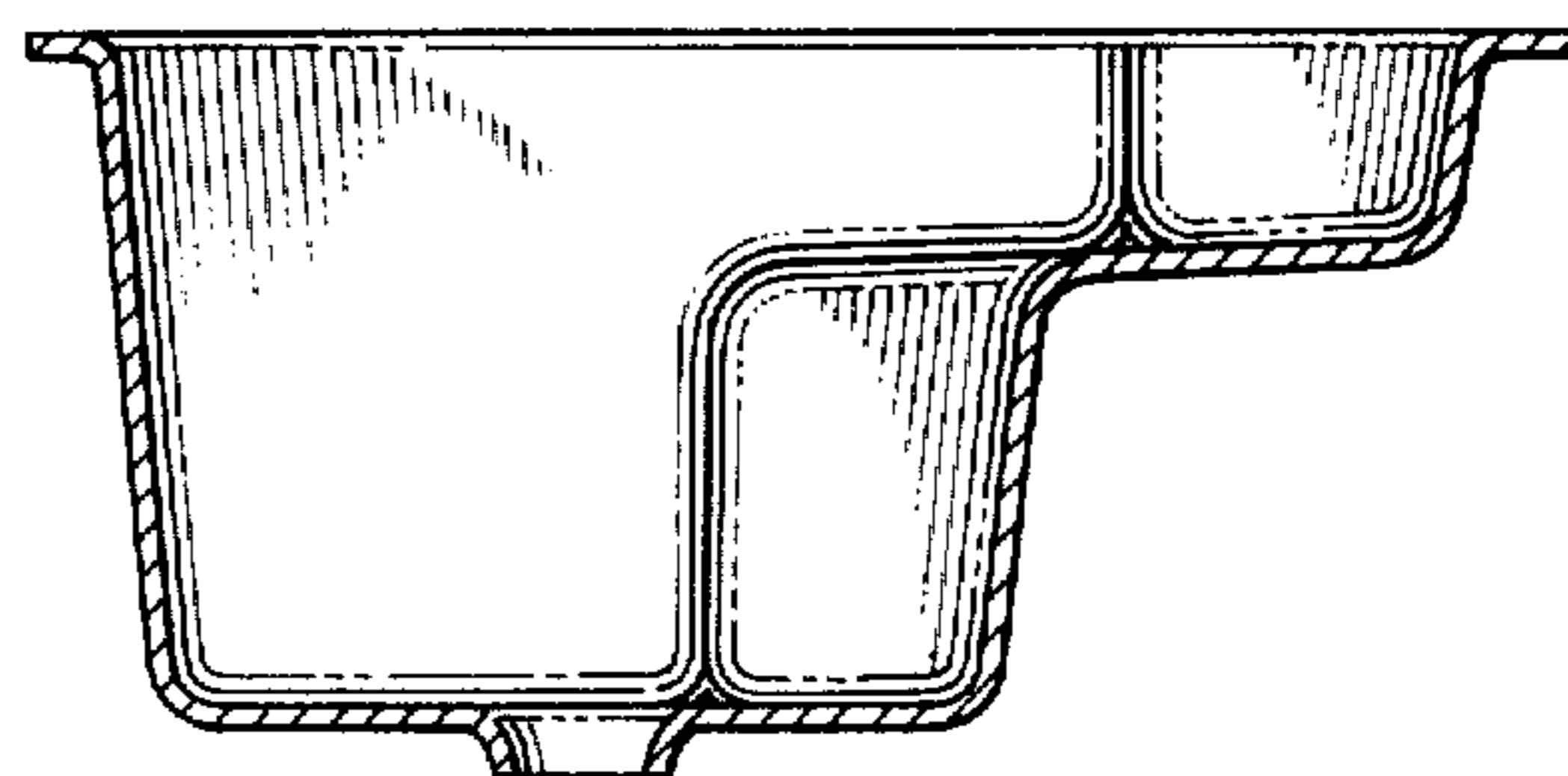


FIG. 8.